



US00D357219S

# United States Patent [19]

[11] Patent Number: Des. 357,219

Ferris

[45] Date of Patent: \*\* Apr. 11, 1995

[54] CUT FLOWER STORAGE AND DISPLAY CONTAINER

Attorney, Agent, or Firm—Cooley Godward Castro Huddleson & Tatum

[75] Inventor: John Ferris, Malibu, Calif.

### [57] CLAIM

[73] Assignee: Flower Environments, Inc., Los Angeles, Calif.

The ornamental design for a cut flower storage and display container, as shown and described.

[\*\*] Term: 14 Years

### DESCRIPTION

[21] Appl. No.: 12,399

[22] Filed: Aug. 31, 1993

[52] U.S. Cl. .... D11/156; D11/143; D11/155

[58] Field of Search ..... D7/509, 523, 547; D9/452, 453, 454, 455, 456, 430, 431; D11/143, 145, 146, 148, 152, 153, 154, 155, 156, 164; 47/41.11, 41.12, 41.13, 41.14, 41.15, 66 A, 66 B, 66 C, 66 D, 66 I, 66 MD, 69 T, 79; 362/161, 162, 163; 431/126, 288, 289, 291; D3/304, 305

FIG. 1 is a perspective view of the cut flower storage and display container showing my new design; FIG. 2 is a front view of the cut flower storage and display container as shown in FIG. 1, further showing my new design;

FIG. 3 is a left side view of the cut flower storage and display container as shown in FIG. 1, further showing my new design;

FIG. 4 is a back view of the cut flower storage and display container as shown in FIG. 1, further showing my new design;

FIG. 5 is a top view of the cut flower storage and display container as shown in FIG. 1, further showing my new design;

FIG. 6 is a bottom view of the cut flower storage and display container as shown in FIG. 1, further showing my new design;

FIG. 7 is a cross-section view of the cut flower storage and display container as shown in FIG. 1, taken along the line 7—7 in FIG. 5, further showing my new design; and,

FIG. 8 is a cross-section view of the cut flower storage and display container as shown in FIG. 1, taken along the line 8—8 in FIG. 5, further showing my new design.

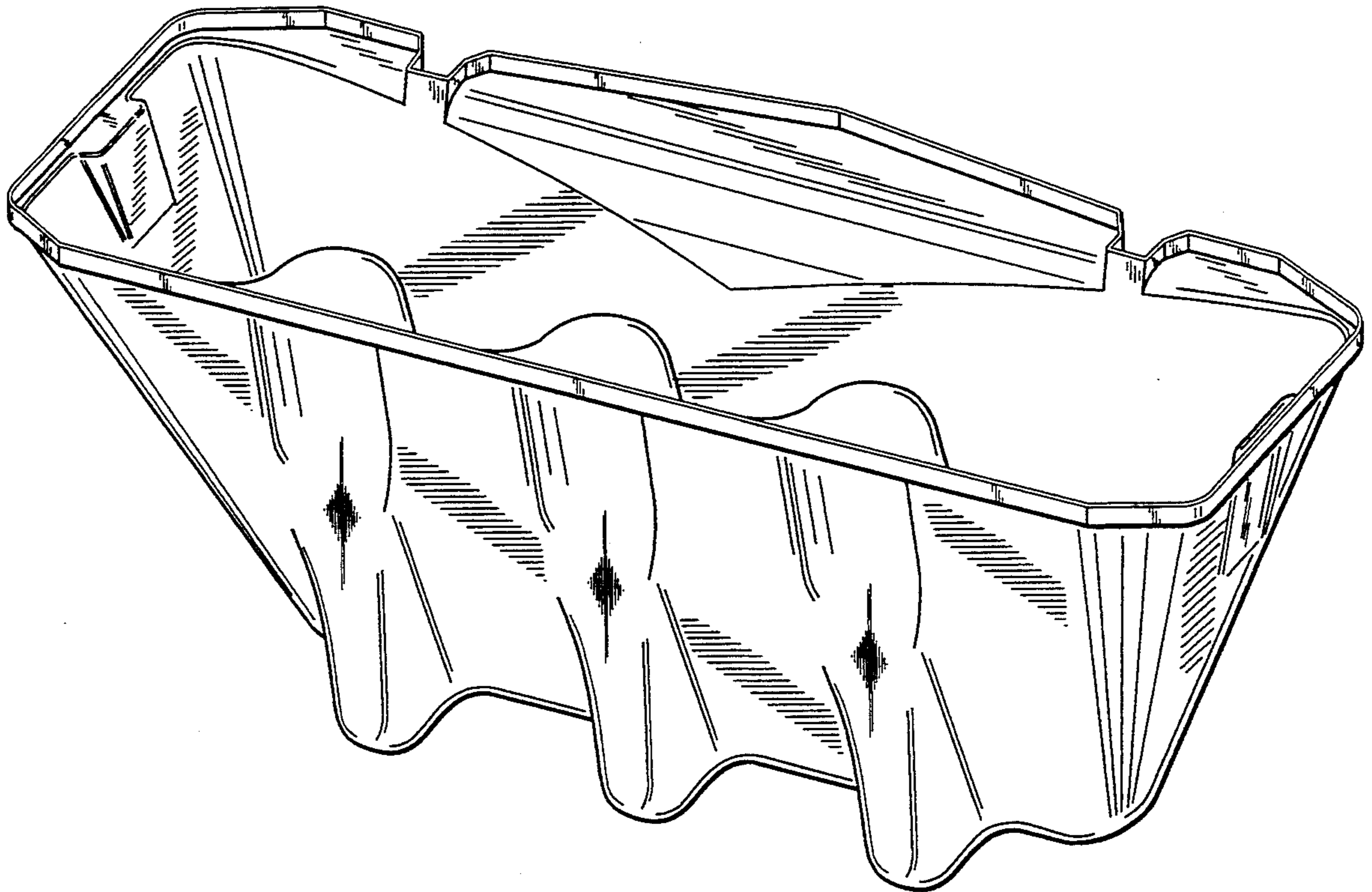
### [56] References Cited

#### U.S. PATENT DOCUMENTS

D. 248,280	6/1978	Martin	.....	D3/304
D. 288,295	2/1987	Holden	.....	D9/431 X
D. 304,638	11/1989	Ireland	.....	D3/304
D. 309,970	8/1990	Embree et al.	.....	D3/304
D. 336,406	6/1993	Wytiuk	.....	D9/456 X
4,998,378	3/1991	Spencer	.....	47/66 A

Primary Examiner—Louis S. Zarfaz

Assistant Examiner—Monica A. Hannon



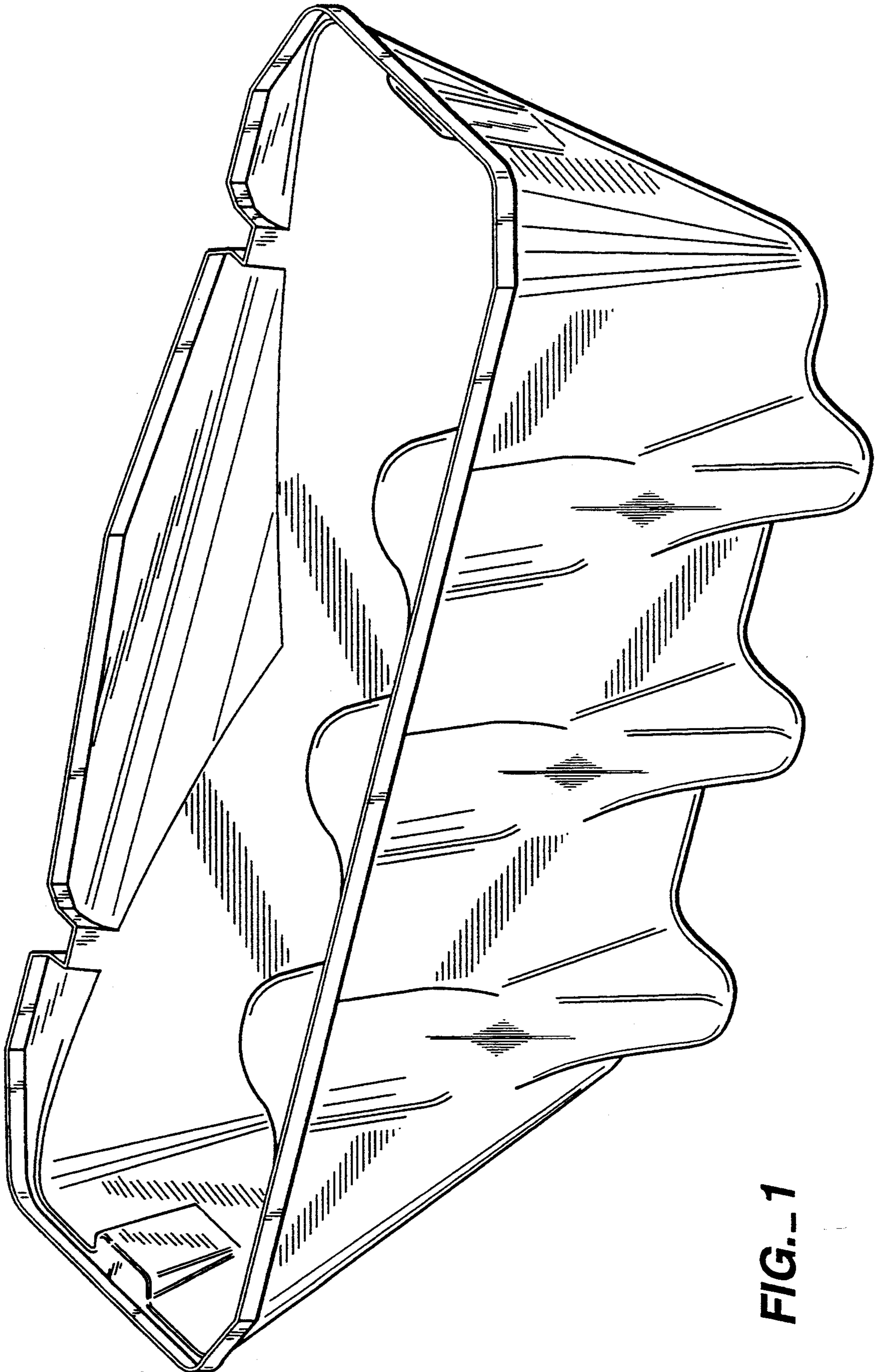


FIG.-1



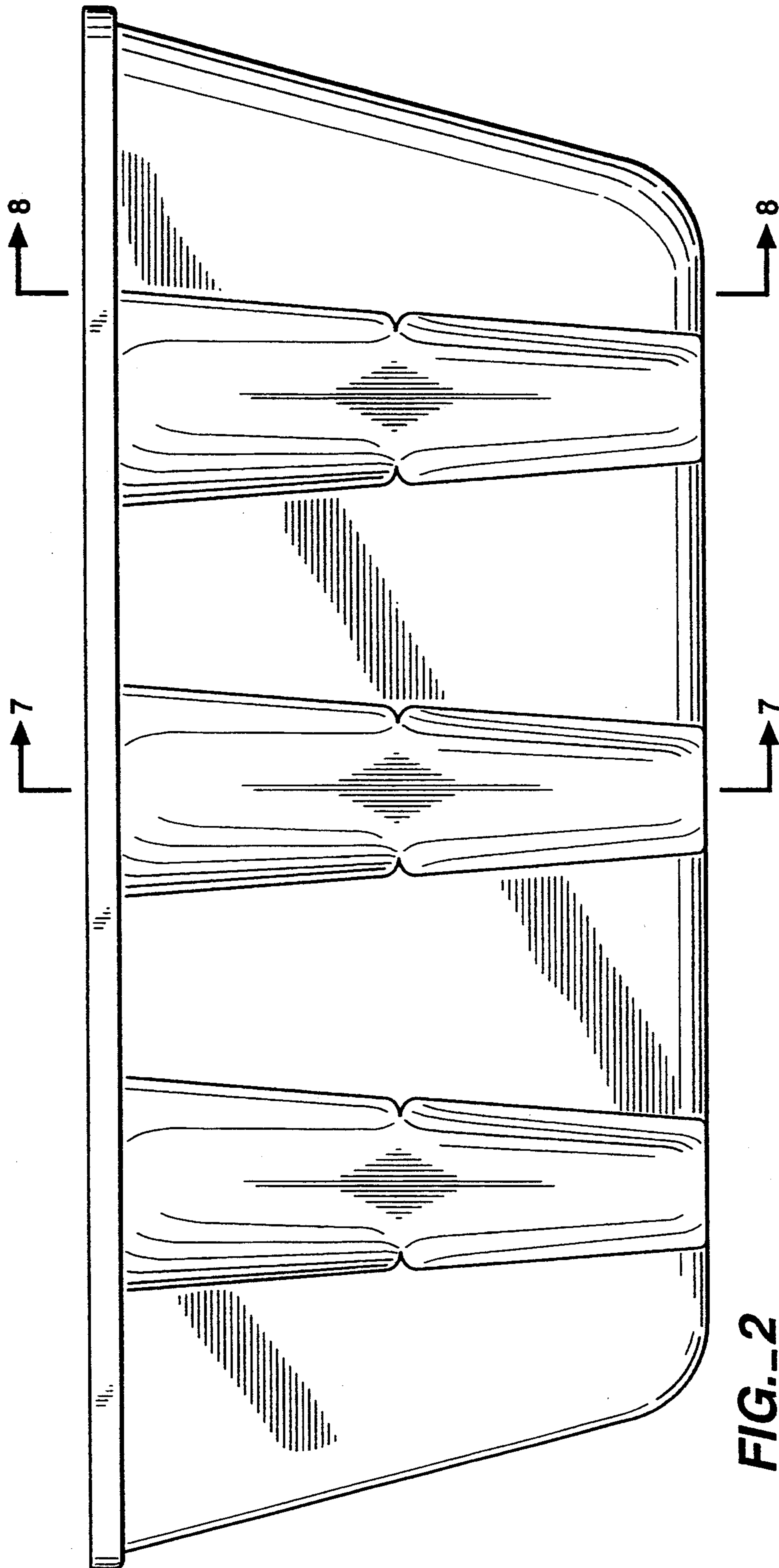
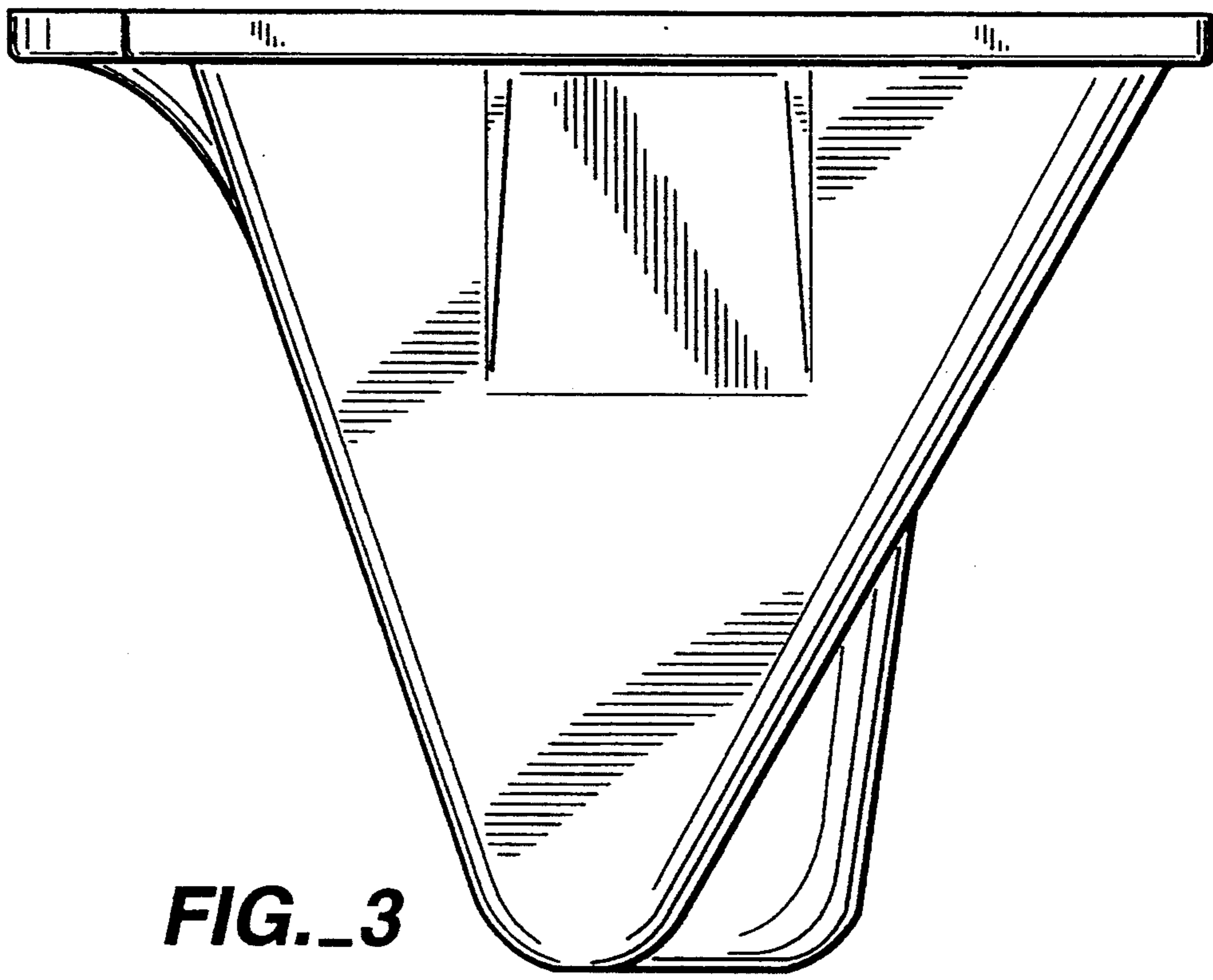


FIG. 2



**FIG. 3**

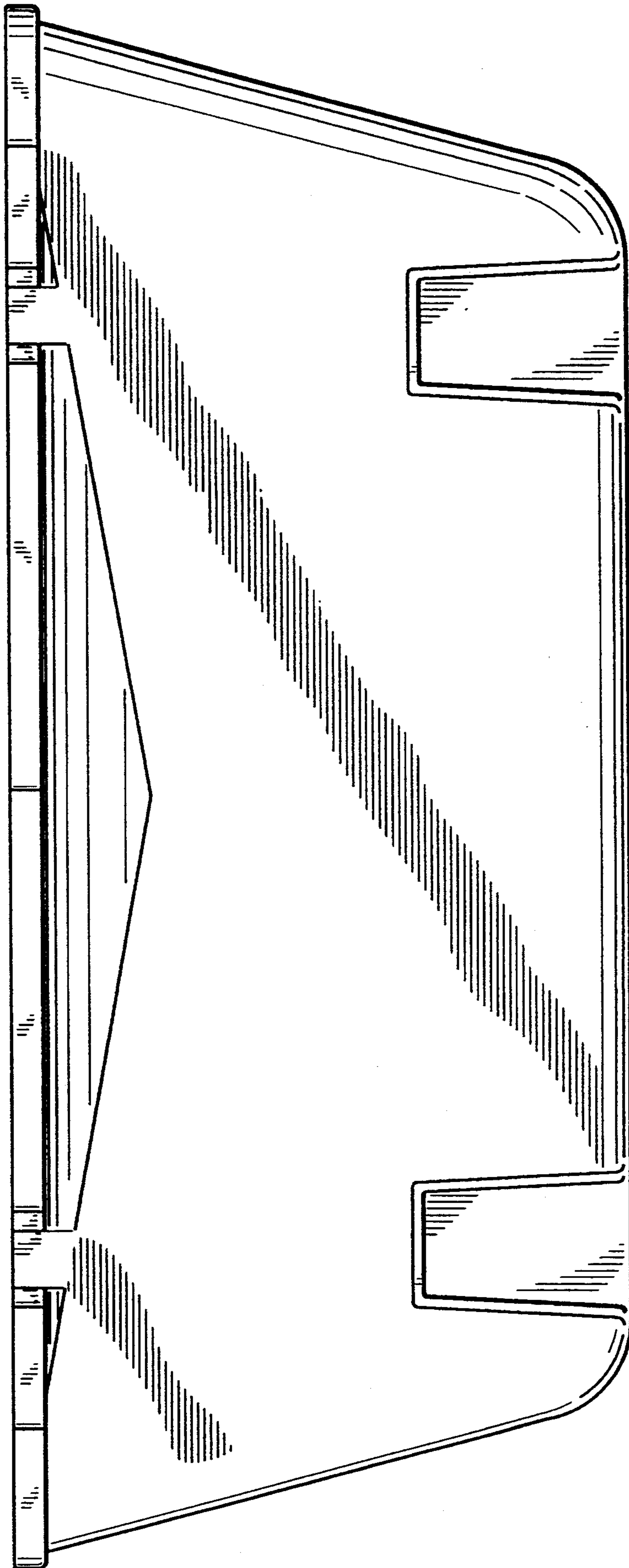


FIG.-4

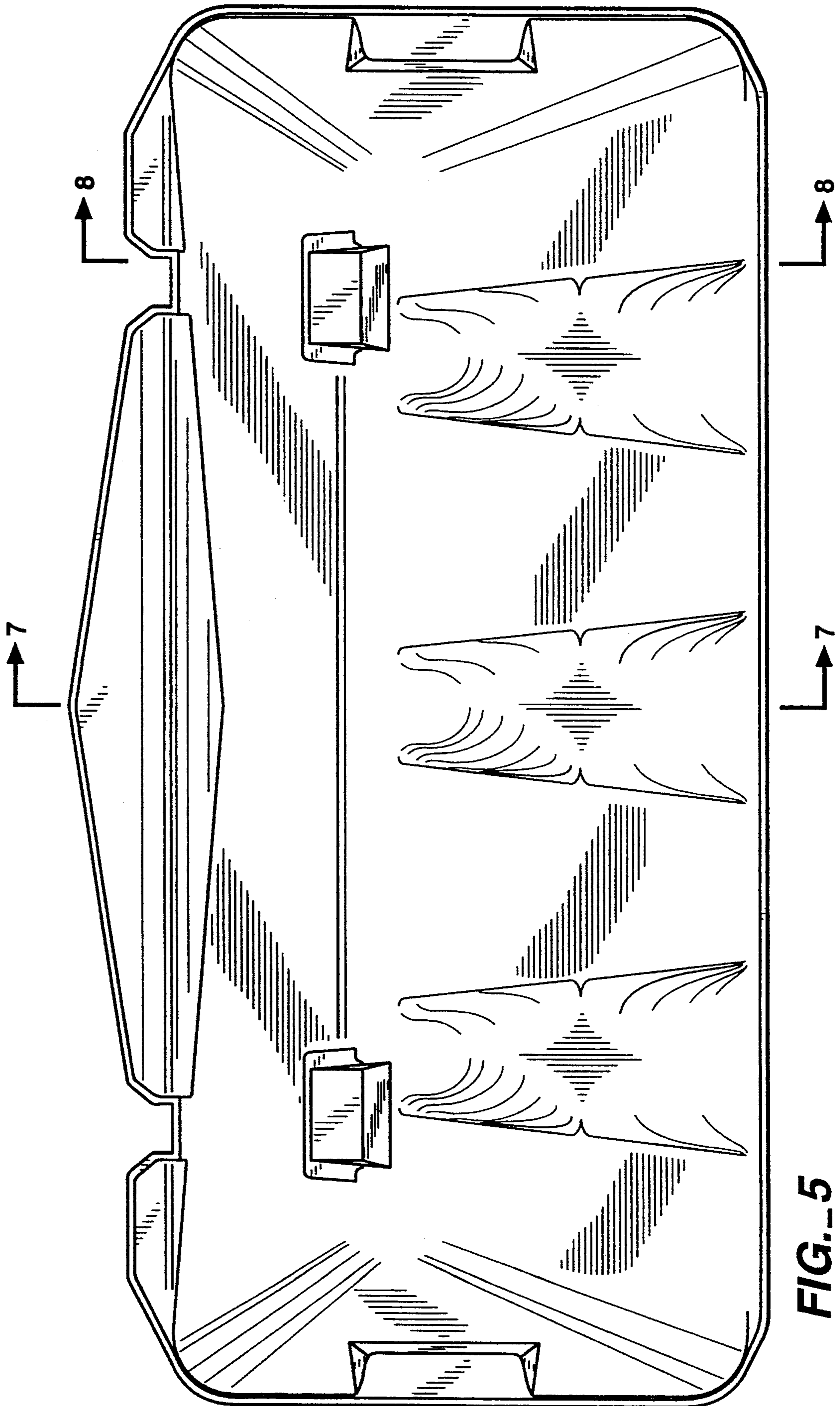


FIG.-5



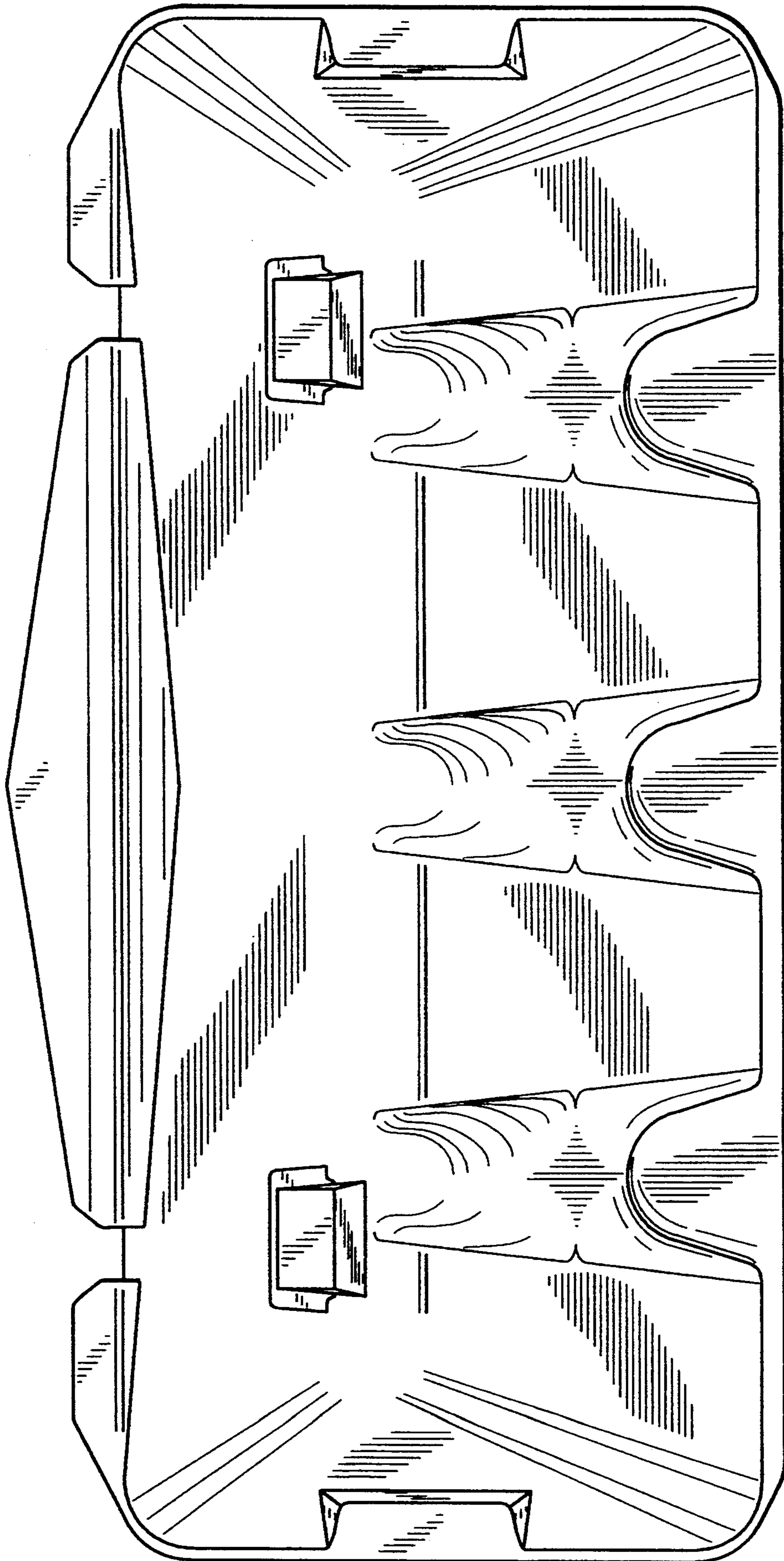


FIG.-6

