



US00D357217S

United States Patent [19]
Shirley

[11] **Patent Number: Des. 357,217**
[45] **Date of Patent: ** Apr. 11, 1995**

- [54] **OXYGEN CYLINDER BRACKET**
- [76] **Inventor: Terry L. Shirley, 31471 Paseo Duran, San Juan Capistrano, Calif. 92675**
- [**] **Term: 14 Years**
- [21] **Appl. No.: 12,152**
- [22] **Filed: Aug. 24, 1993**
- [52] **U.S. Cl. D12/133; D8/354; D6/535**
- [58] **Field of Search D12/133; D8/354, 373; D6/535; 297/189, 188; 248/311.1; 224/275, 42, 45 R**

3,970,344 7/1976 Baumann 297/189
 4,045,044 8/1977 Bierer 280/87.02 R

Primary Examiner—Kay H. Chin
Attorney, Agent, or Firm—Stetina Brunda & Buyan

[57] **CLAIM**

The ornamental design for a oxygen cylinder bracket, as shown and described.

DESCRIPTION

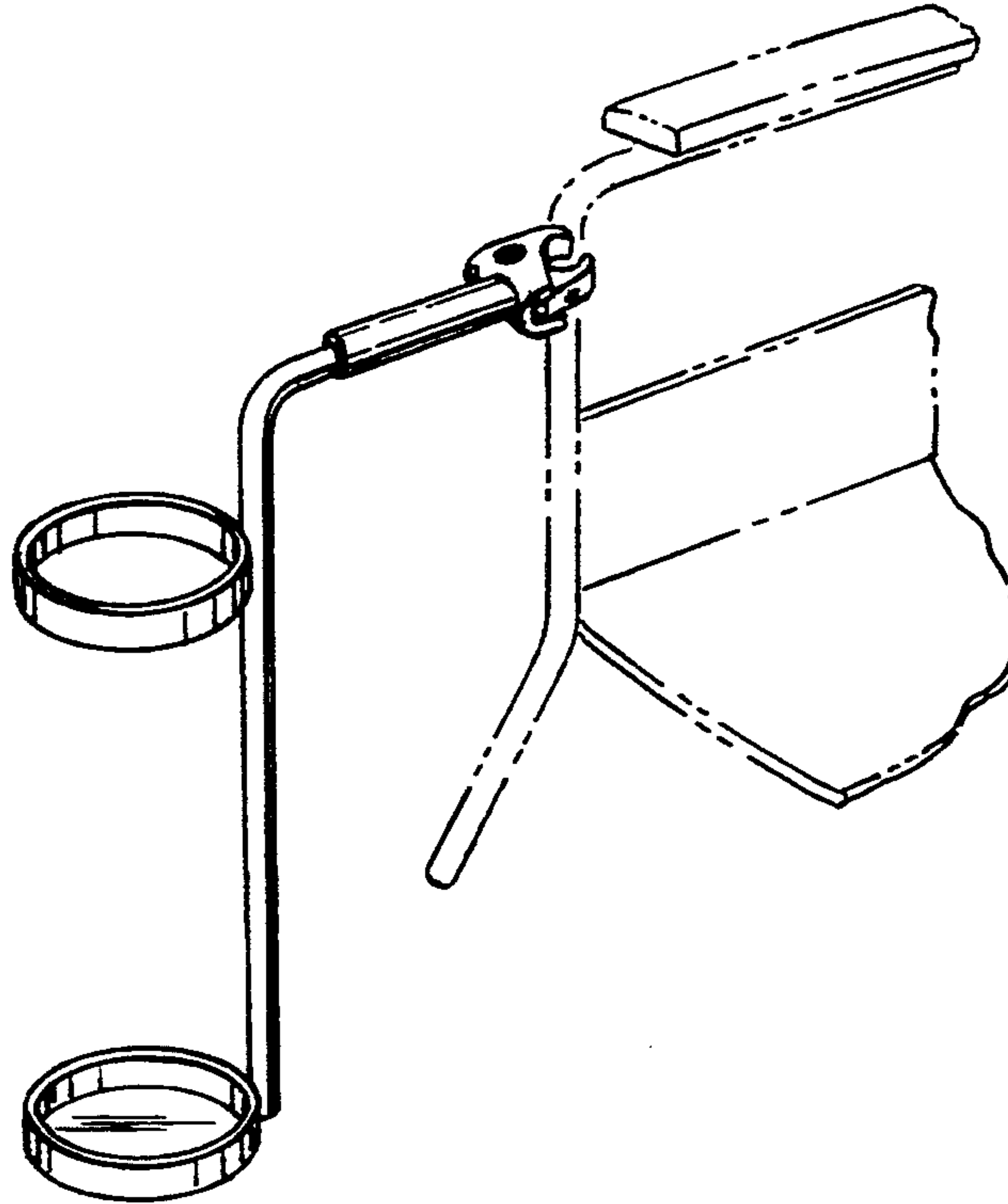
FIG. 1 is a front perspective view of the oxygen cylinder bracket of the present invention showing my new design with the phantom lines depicting solely environmental structure and forming no portion of the claimed design;

FIG. 2 is an enlarged partial perspective view of the clamp portion of FIG. 1; and,

FIG. 3 is an enlarged partial perspective view of FIG. 2 taken from the opposite side.

[56] **References Cited**
U.S. PATENT DOCUMENTS

- D. 305,629 1/1990 Wood D12/133
- D. 310,016 8/1990 Johansson et al. D8/354
- D. 342,222 12/1993 Cherry D12/133



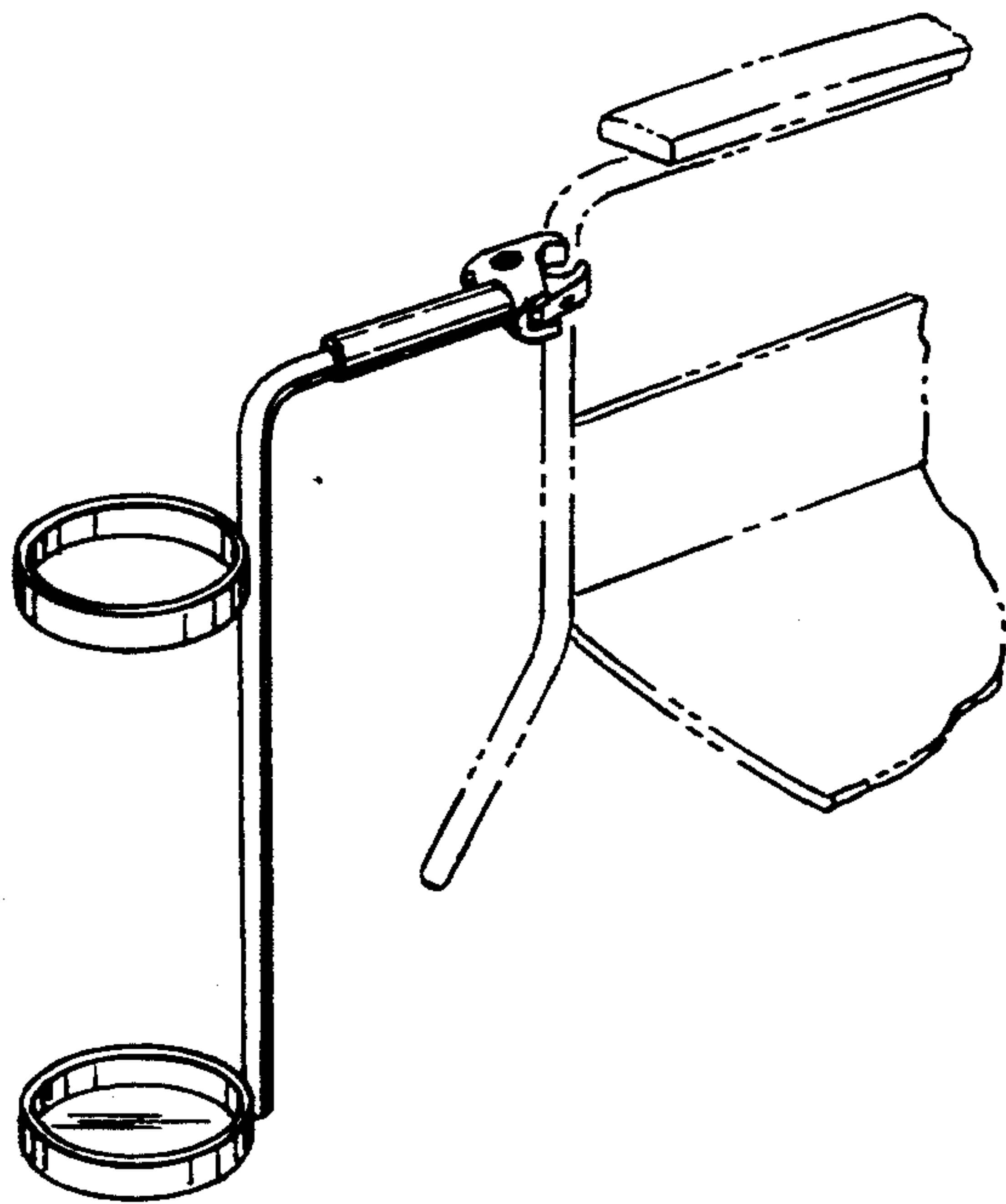


Fig. 1

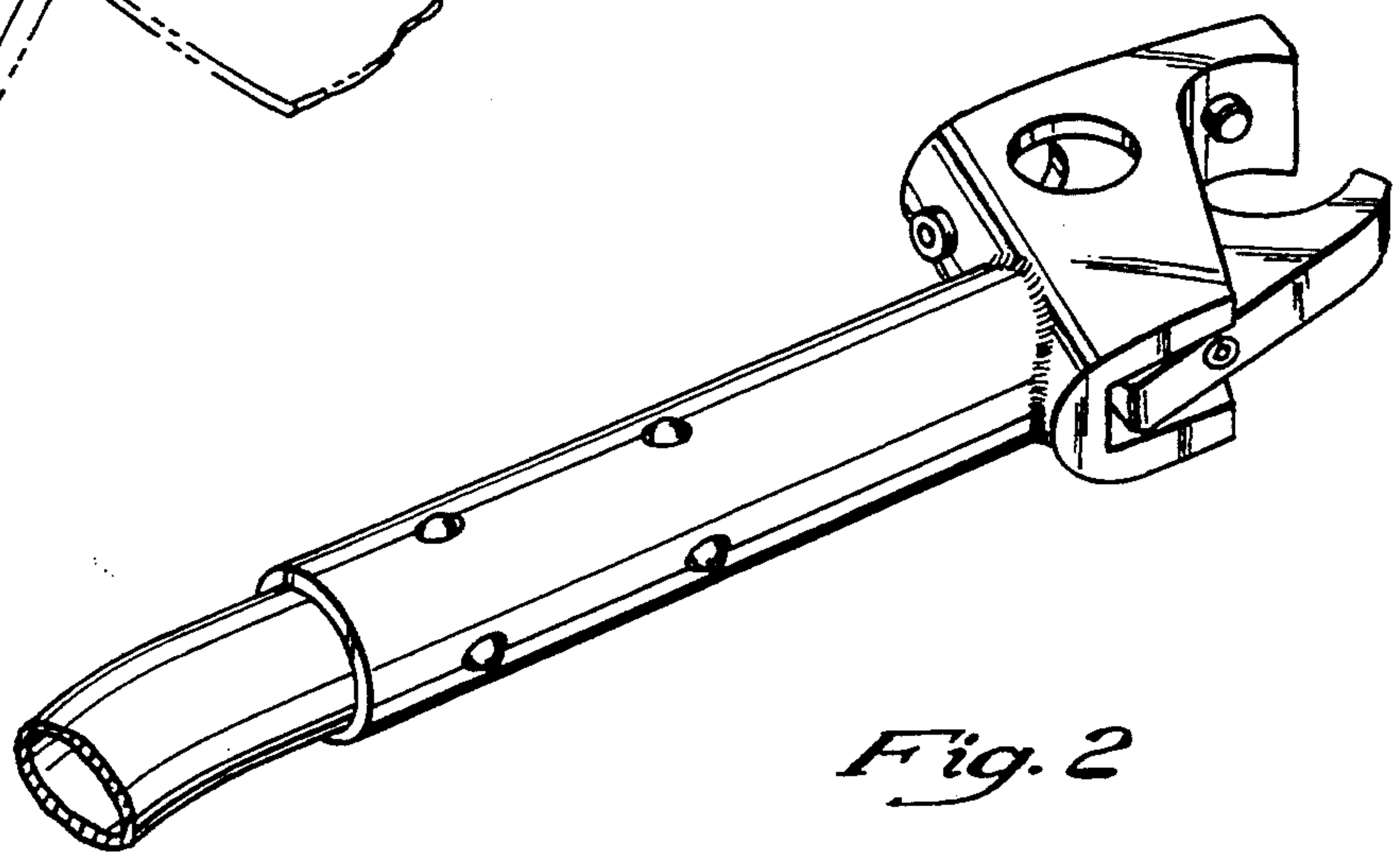


Fig. 2

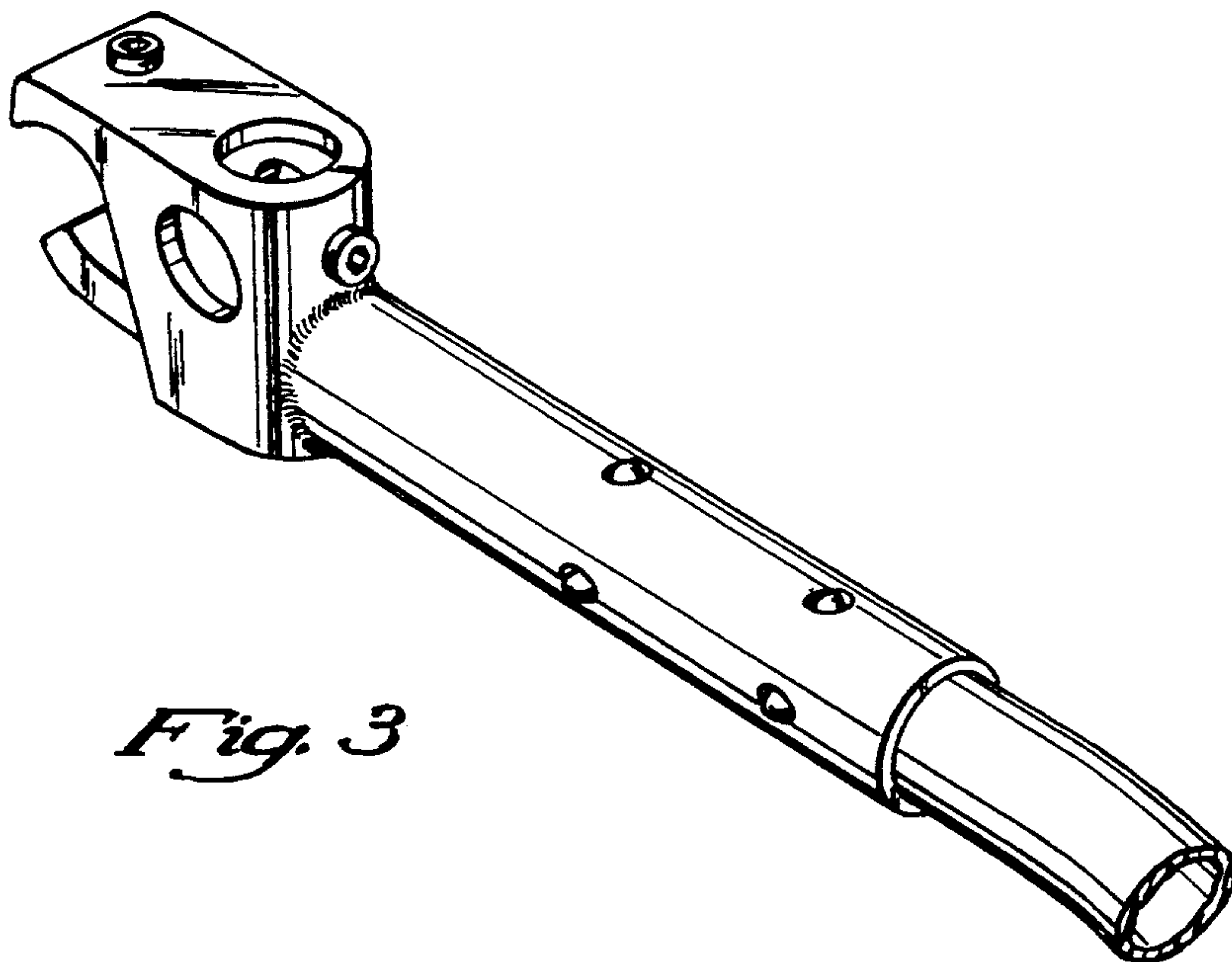


Fig. 3