



US00D357210S

# United States Patent [19]

[11] Patent Number: Des. 357,210

Tomlinson et al.

[45] Date of Patent: \*\* Apr. 11, 1995

[54] PLANT BOX FOR VIEWING ROOTS

4,355,484 10/1982 Mandish .

[76] Inventors: William M. Tomlinson; Richard M. Ray, both of 3600 Bluebird Canyon Rd., Vista, Calif. 92084

Primary Examiner—Alan P. Douglas  
Assistant Examiner—Cathron B. Matta  
Attorney, Agent, or Firm—Francis X. LoJacono

[\*\*] Term: 14 Years

[57] CLAIM

[21] Appl. No.: 5,916

The ornamental design for a plant box for viewing roots, as shown and described.

[22] Filed: Mar. 12, 1993

DESCRIPTION

[52] U.S. Cl. .... D11/156; D30/101

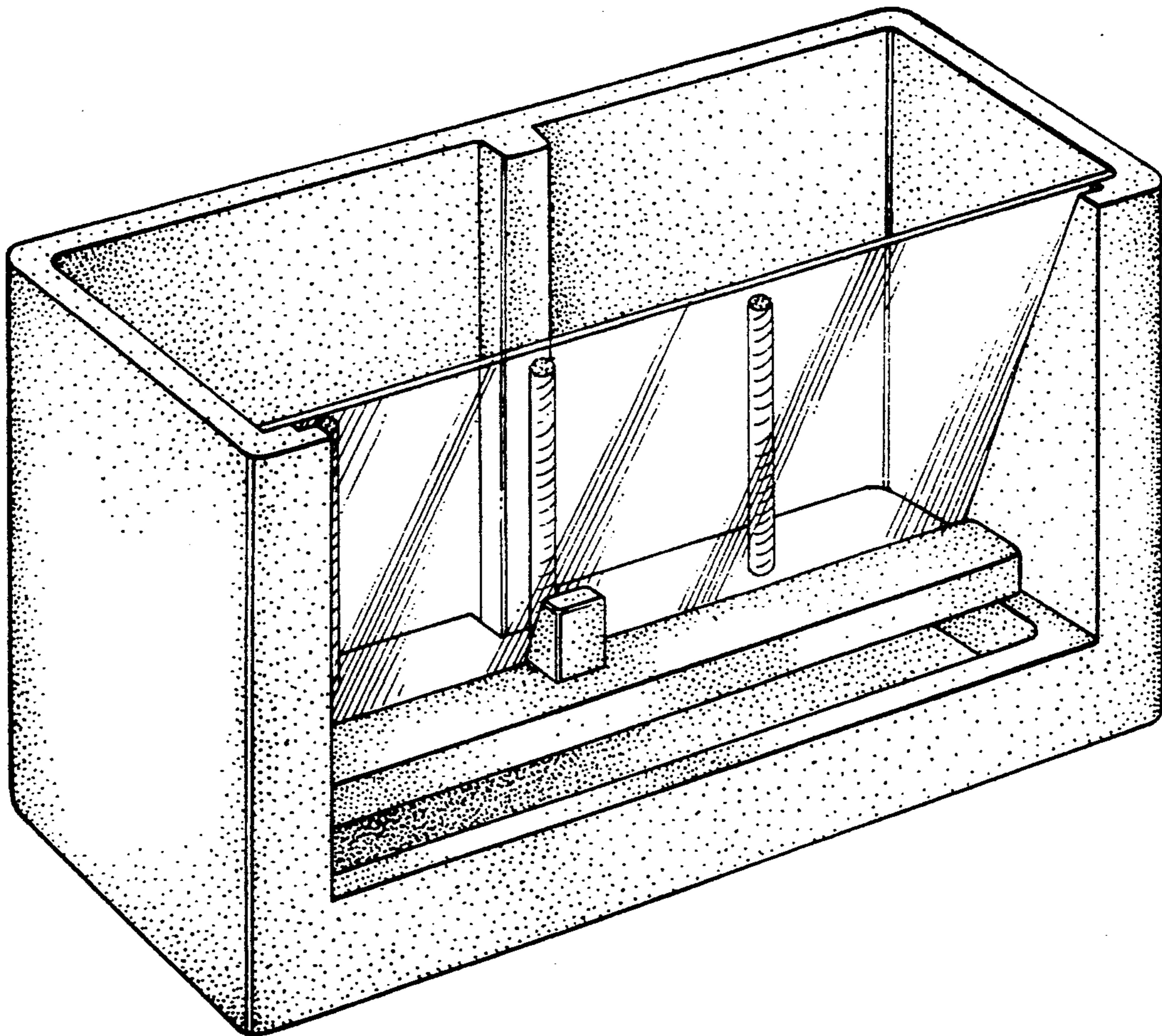
[58] Field of Search ..... D11/156, 155, 145, 143; D30/101; 47/32, 69

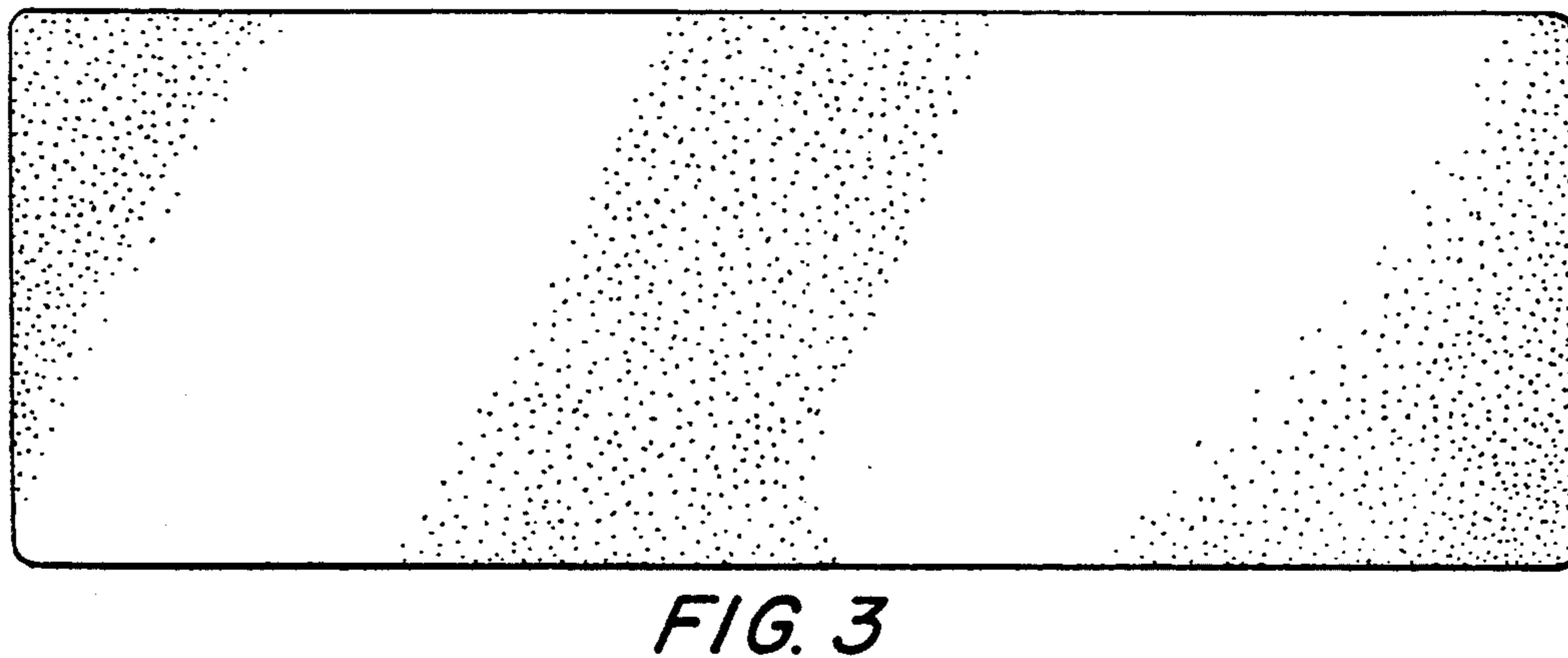
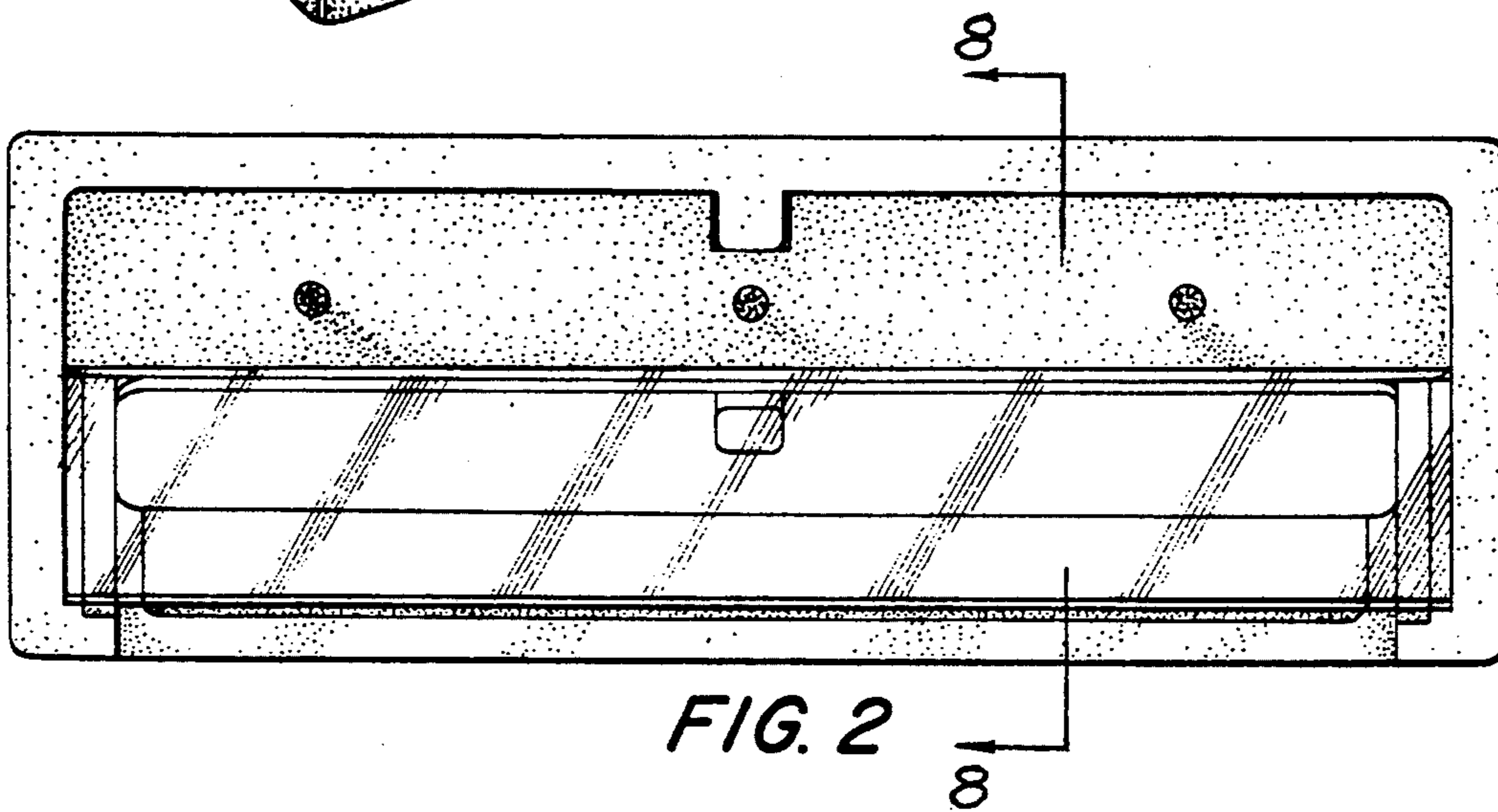
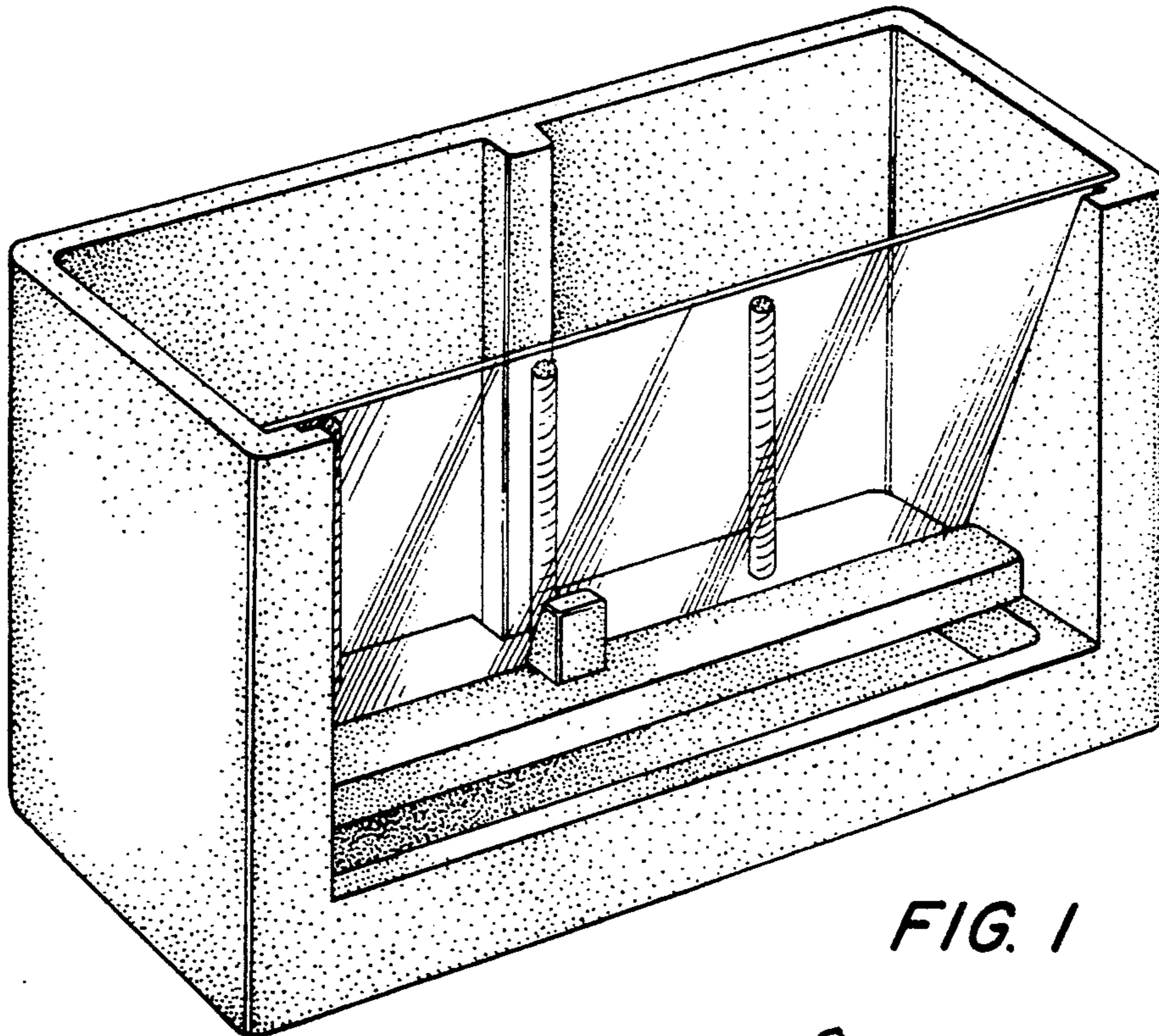
FIG. 1 is a perspective view of a plant box for viewing roots, showing my new design thereof; FIG. 2 is a top plan view thereof; FIG. 3 is a bottom plan view thereof; FIG. 4 is front-elevational thereof; FIG. 5 is a rear-elevational thereof; FIG. 6 is a right side-elevational view thereof; FIG. 7 is a left side-elevational view thereof; and, FIG. 8 is a cross-sectional view taken substantially along line 8—8 of FIG. 2.

[56] References Cited

U.S. PATENT DOCUMENTS

- D. 212,539 10/1968 Rowe ..... D30/101
- D. 236,633 9/1975 Shalom ..... D30/101
- D. 268,996 5/1983 Elleby, Jr. et al. .... D11/145
- 2,963,819 12/1960 Hoch .





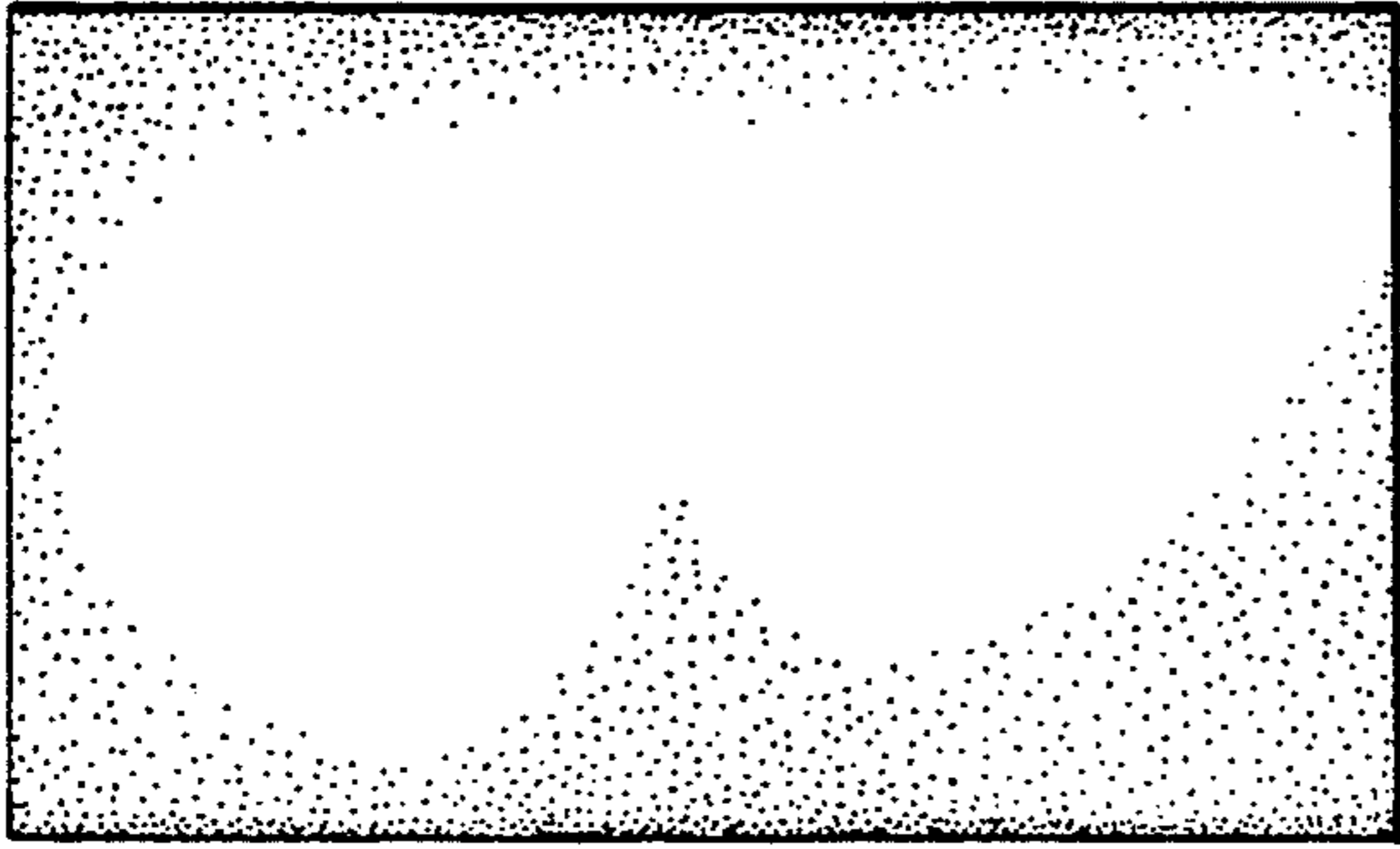


FIG. 6

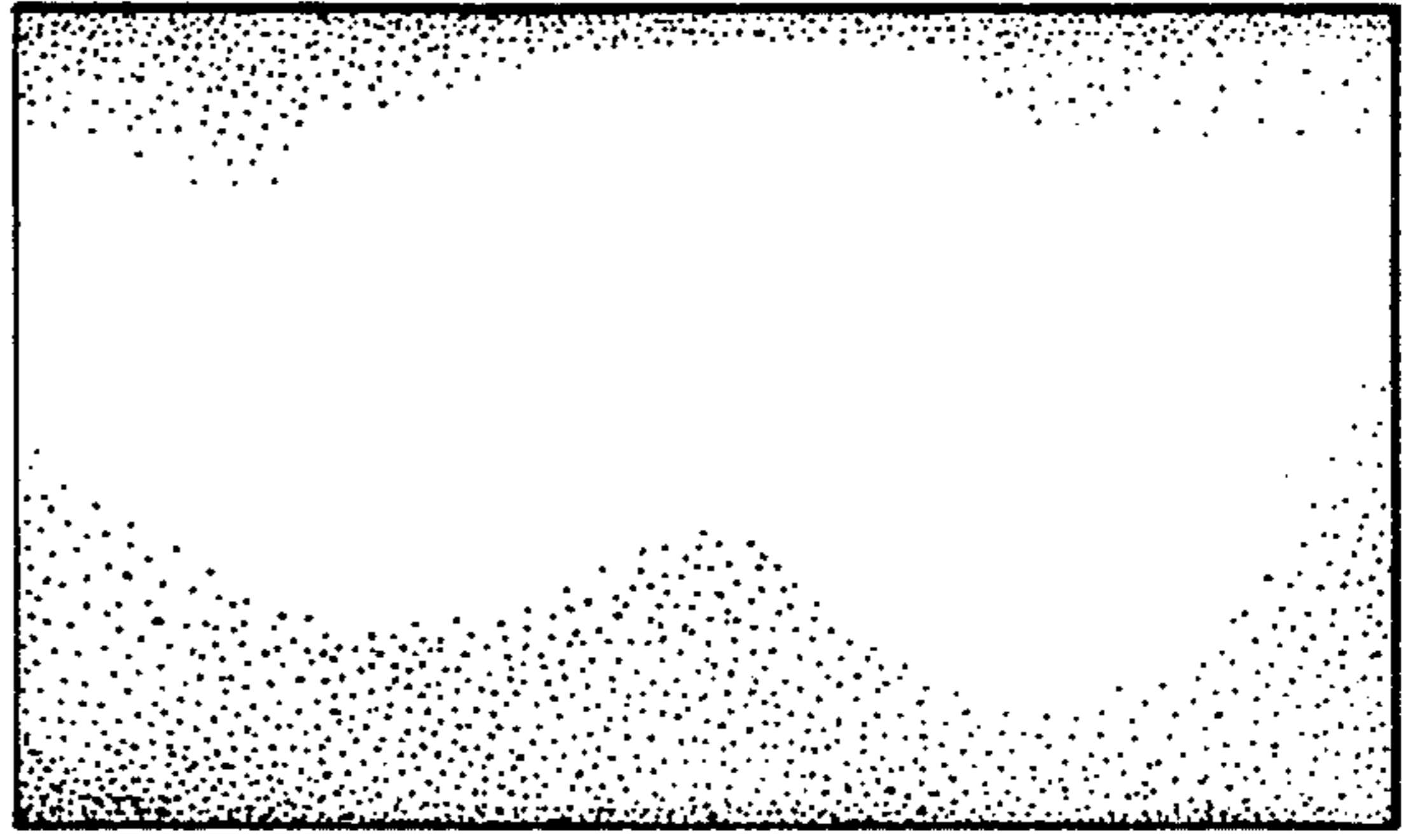


FIG. 7

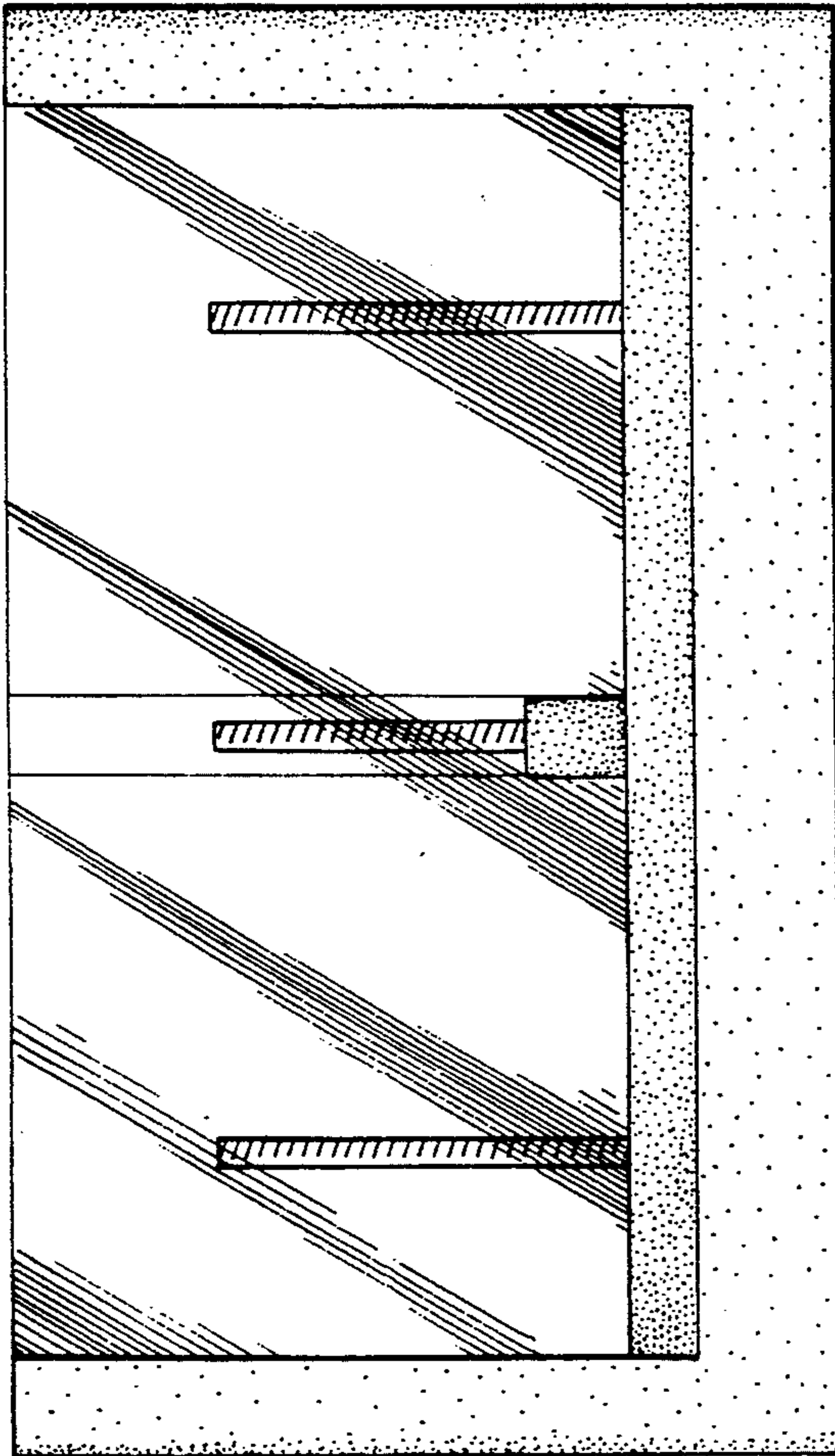


FIG. 4

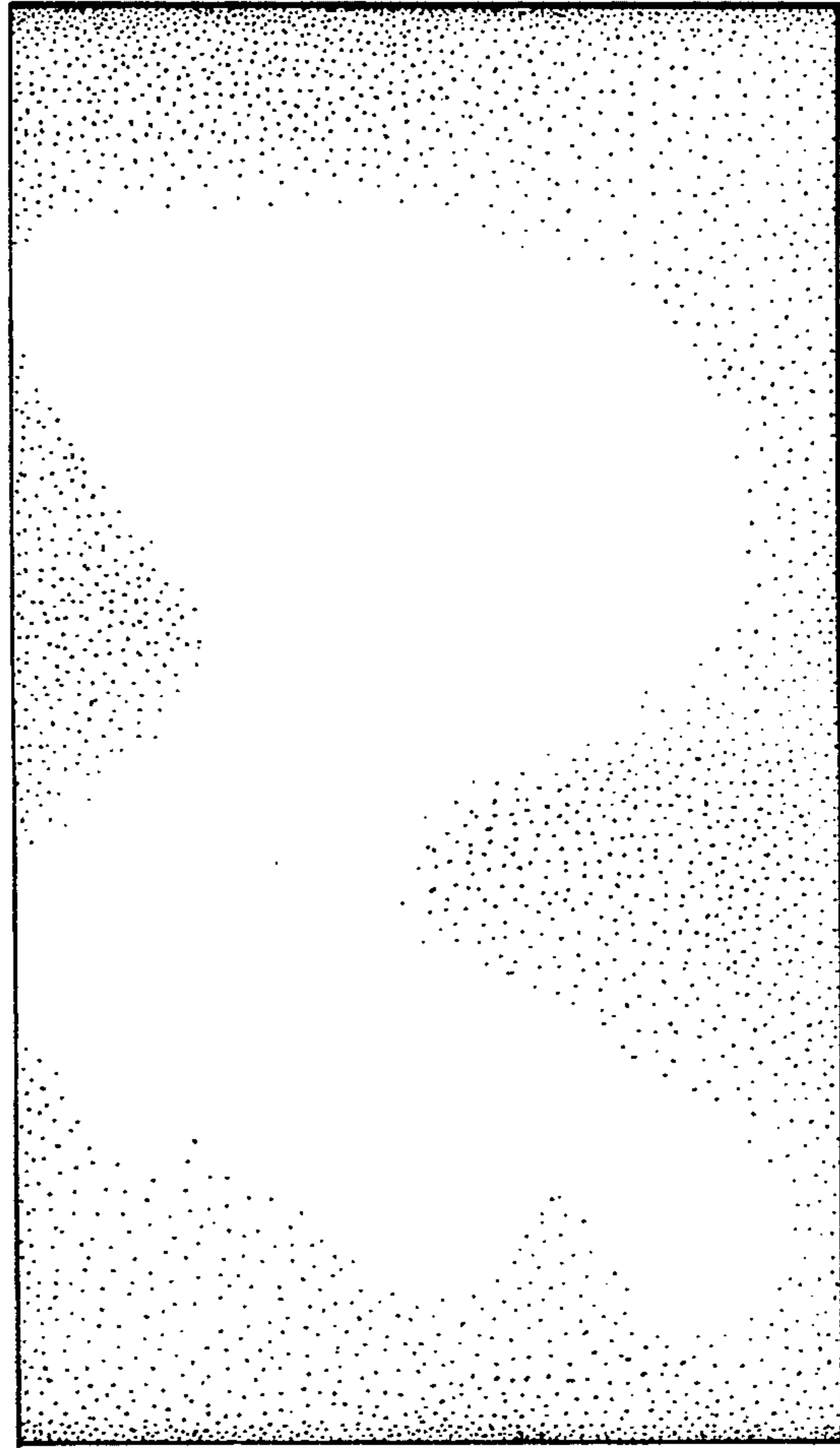
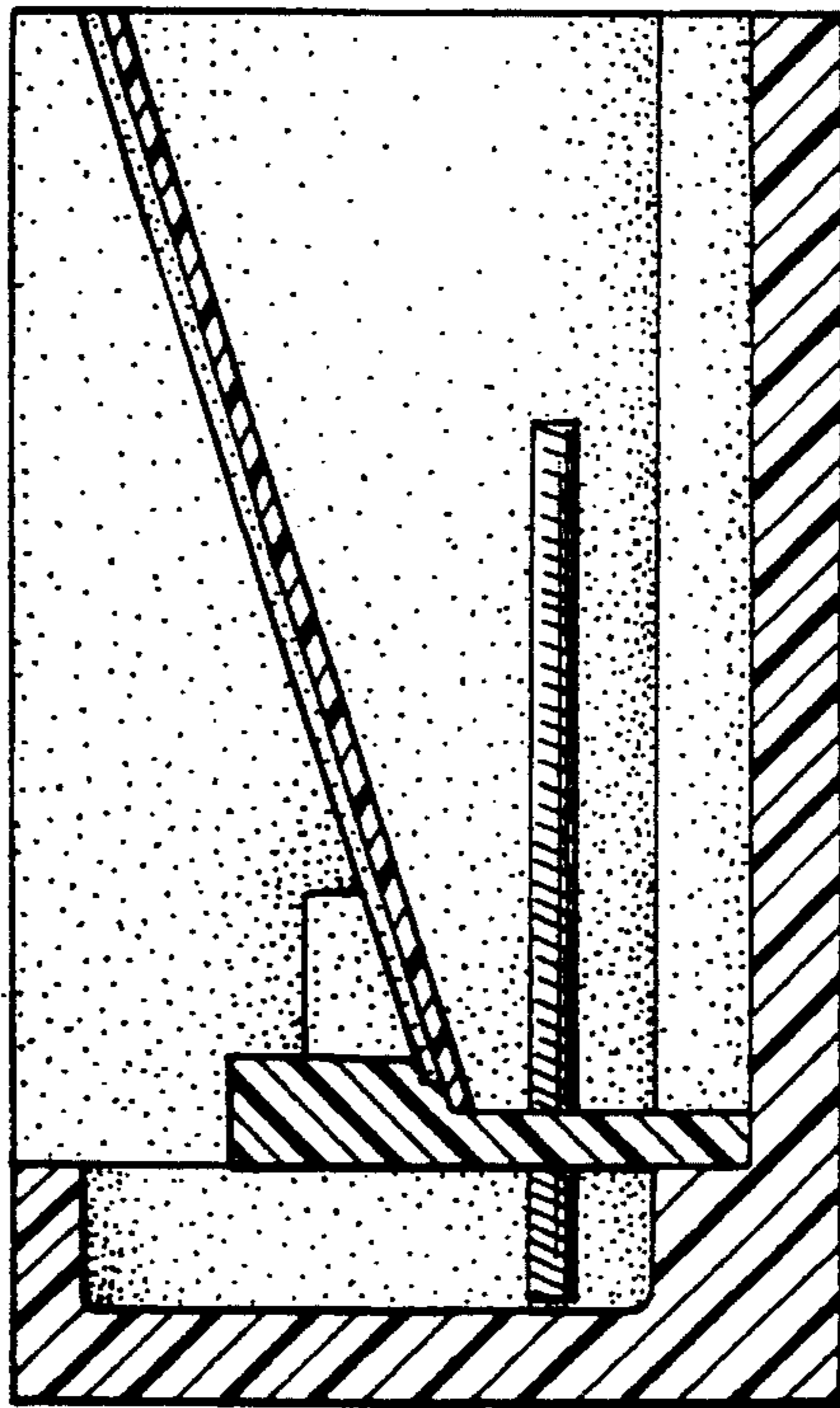


FIG. 5



*FIG. 8*