



US00D357205S

**United States Patent** [19]  
**Sandino**

[11] **Patent Number: Des. 357,205**  
[45] **Date of Patent: \*\* Apr. 11, 1995**

[54] **PAVEMENT MARKER**  
[76] **Inventor: Hector Sandino, 12 Magellan, Irvine, Calif. 92720**  
[\*\*] **Term: 14 Years**  
[21] **Appl. No.: 17,764**  
[22] **Filed: Jan. 18, 1994**  
[52] **U.S. Cl. .... D10/113**  
[58] **Field of Search ..... D10/109, 111, 113, 114, D10/121; 404/5, 6, 7, 8, 9, 10, 11, 12, 13, 14, 15; 116/63 T, 63 P, 63 C**

D. 288,792 3/1987 Jefferies ..... D10/113  
2,321,476 6/1943 Foster et al. .... D10/113  
2,666,373 1/1954 Mattson ..... D10/113  
5,002,424 3/1991 Hedgewick ..... 404/14

*Primary Examiner*—Wallace R. Burke  
*Assistant Examiner*—Marcus Jackson  
*Attorney, Agent, or Firm*—Stetina Brunda & Buyan

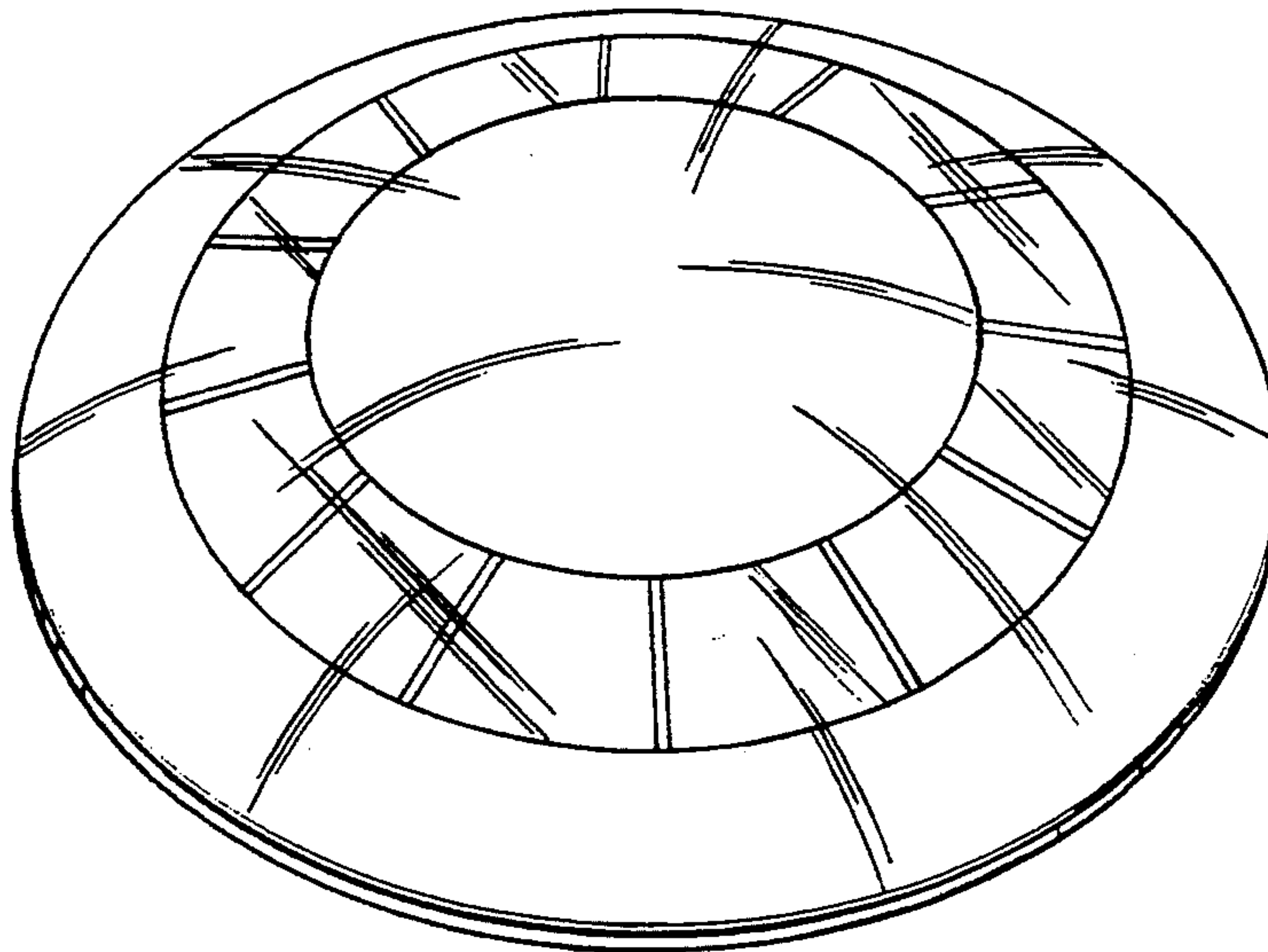
[57] **CLAIM**

The ornamental design for a pavement marker, a shown and described.

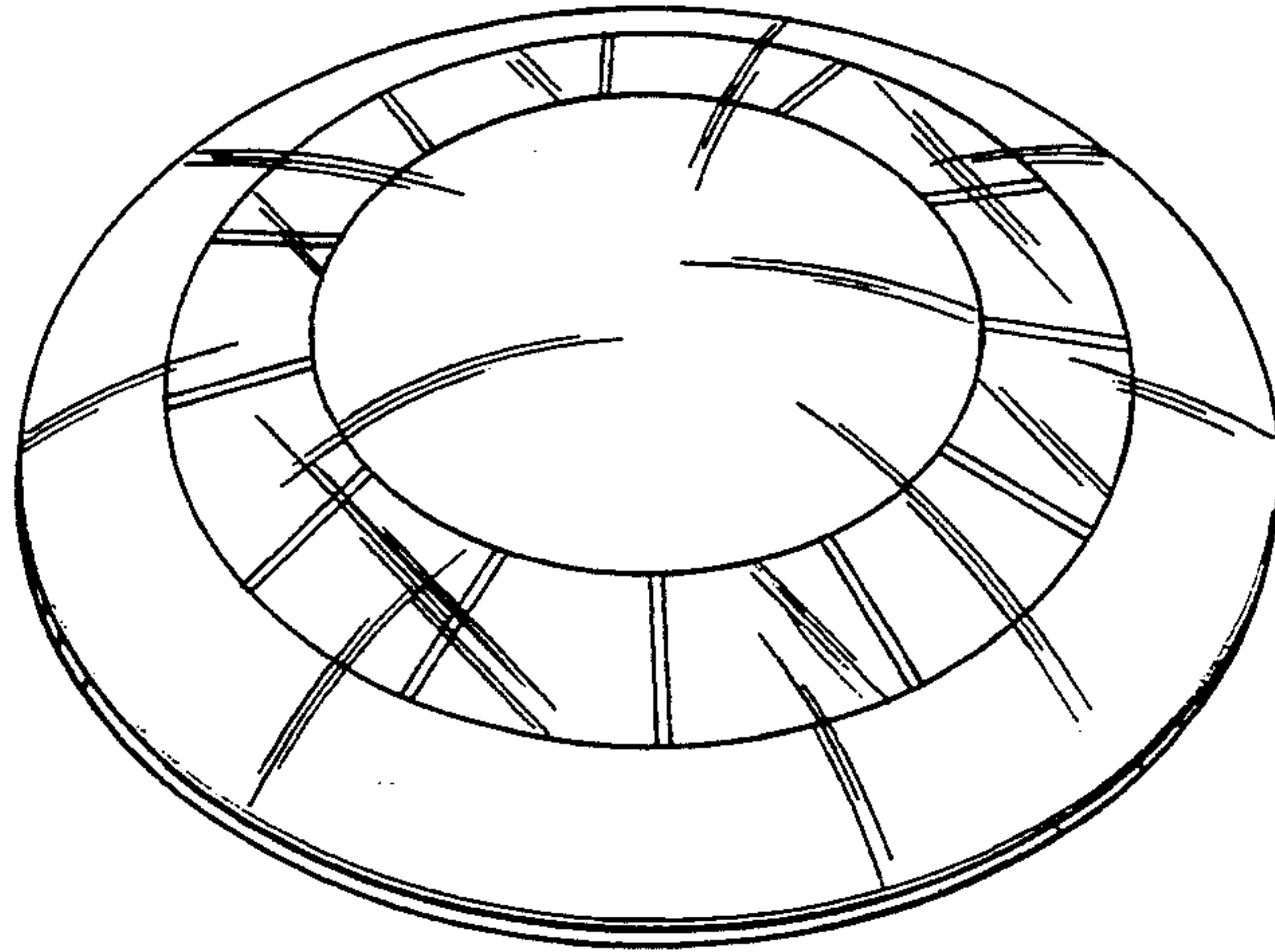
**DESCRIPTION**

FIG. 1 is a top perspective view of the pavement marker showing my new design; FIG. 2 is a bottom perspective view thereof; and, FIG. 3 is a side elevational view thereof, with the opposite sides being a mirror image.

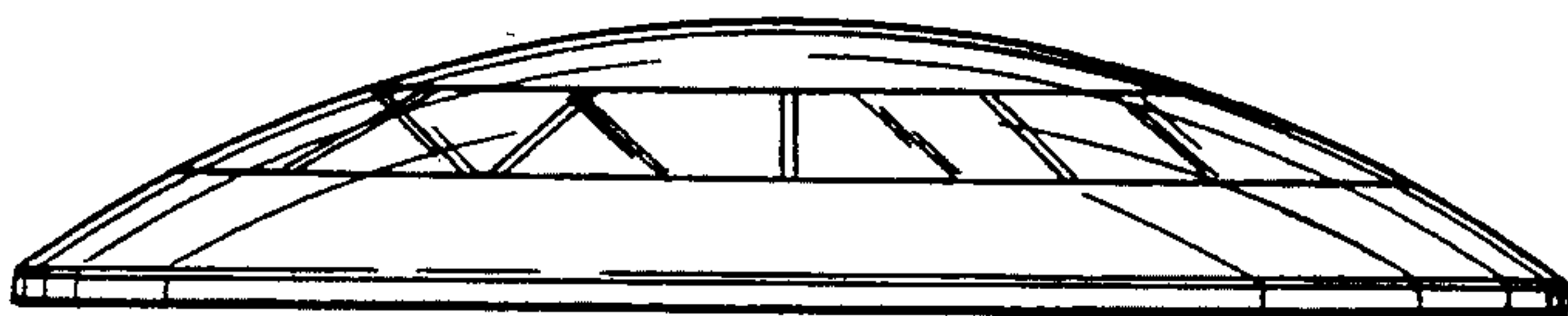
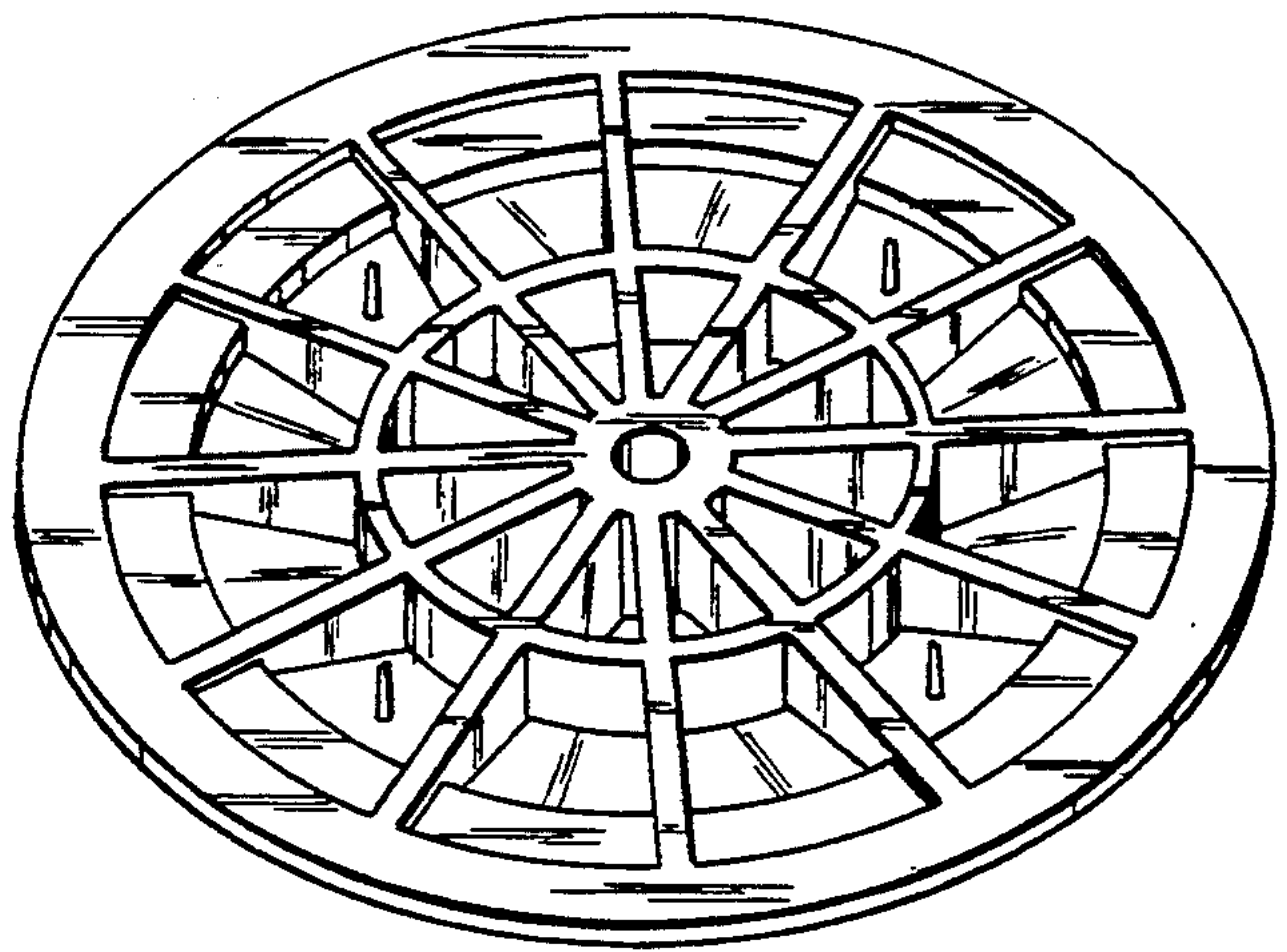
[56] **References Cited**  
**U.S. PATENT DOCUMENTS**  
D. 210,329 2/1968 Keats ..... D10/113  
D. 215,625 10/1969 Hedgewick ..... D10/113



*Fig. 1*



*Fig. 2*



*Fig. 3*