



US00D357204S

# United States Patent [19]

[11] Patent Number: **Des. 357,204**

Meissner

[45] Date of Patent: **\*\* Apr. 11, 1995**

[54] DISPLAY TOMAHAWK FOR ANTENNAS

[76] Inventor: **Jay P. Meissner**, 4704 Brownville Rd., Powder Springs, Ga. 30073

[\*\*] Term: **14 Years**

[21] Appl. No.: **21,958**

[22] Filed: **Apr. 26, 1994**

[52] U.S. Cl. .... **D10/109; D20/41**

[58] Field of Search ..... **D20/10, 41; D10/104, D10/109, 111, 121; 116/173, 174, 175; D11/165, 166, 172; D8/6, 7**

[56] **References Cited**

**U.S. PATENT DOCUMENTS**

- D. 198,883 8/1964 White ..... D10/109
- D. 266,553 10/1982 Kelly ..... D10/109
- D. 308,653 6/1990 McCloskey ..... D10/109

*Primary Examiner*—James M. Gandy  
*Assistant Examiner*—Marcus Jackson  
*Attorney, Agent, or Firm*—Harry I. Leon

[57] **CLAIM**

The ornamental design for a display tomahawk for antennas, as shown and described.

**DESCRIPTION**

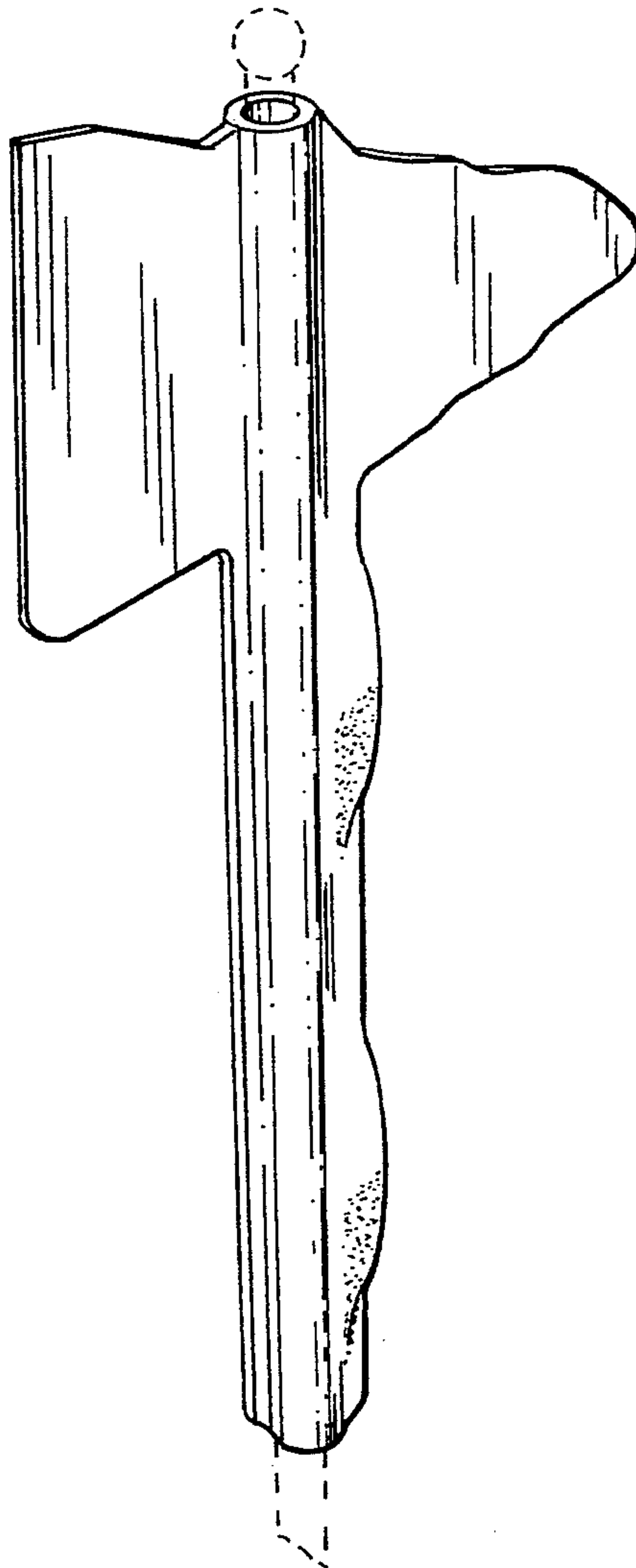
FIG. 1 is a perspective view of a display tomahawk for antennas showing my new design, with the broken line showing for illustrative purposes only and forming no part of the claimed design;

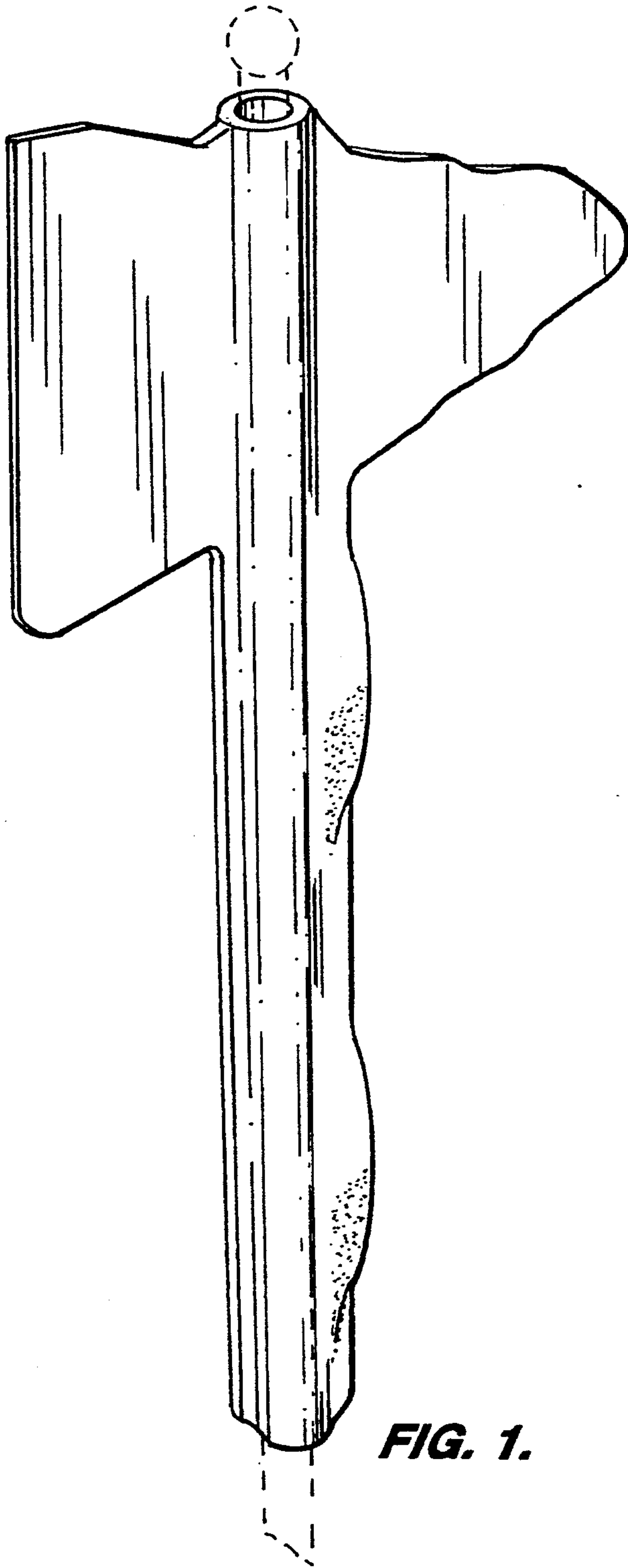
FIG. 2 is a side elevational view, looking from the right in FIG. 1; the left side elevational view (not shown) is a mirror image of FIG. 2;

FIG. 3 is a frontal elevational view;

FIG. 4 is a back elevational view showing mounting screws; and,

FIG. 5 is a top plan view.

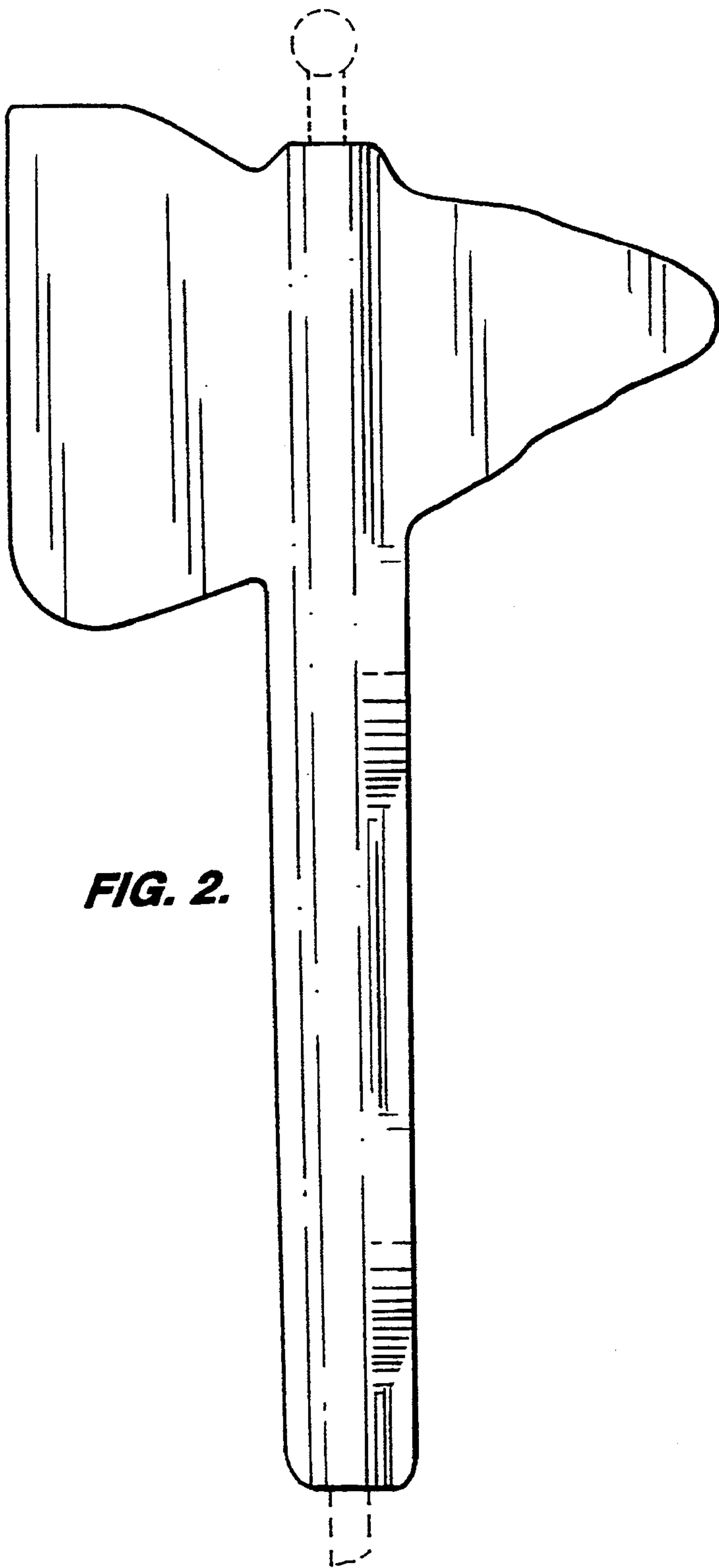




**FIG. 1.**



**FIG. 3.**



**FIG. 2.**



**FIG. 4.**



**FIG. 5.**