



US00D357196S

United States Patent [19]
Bechgaard

[11] **Patent Number: Des. 357,196**
[45] **Date of Patent: ** Apr. 11, 1995**

[54] **DRILL GAUGE**

[75] **Inventor: Carl Bechgaard, Vejle, Denmark**

[73] **Assignee: Wood-Slimp GmbH, Chur, Switzerland**

[**] **Term: 14 Years**

[21] **Appl. No.: 17,027**

[22] **Filed: Jan. 4, 1994**

[30] **Foreign Application Priority Data**

Oct. 26, 1993 [NO] Norway 930793
[52] **U.S. Cl.** **D10/65**
[58] **Field of Search** D10/65; 47/8, 10, 57.5;
175/57, 72, 58, 220, 307, 325.1-326; 408/72 R,
115 R, 202, 241 R; 507/107, 250, 902

[56]

References Cited

U.S. PATENT DOCUMENTS

4,111,270 9/1978 Fischer et al. 175/220
4,705,436 11/1987 Robertson 408/72 R
4,724,793 2/1988 Sletten 47/57.5 X
4,854,074 8/1989 Johnson et al. 47/57.5

Primary Examiner—Alan P. Douglas
Assistant Examiner—Antoine D. Davis
Attorney, Agent, or Firm—Darby & Darby

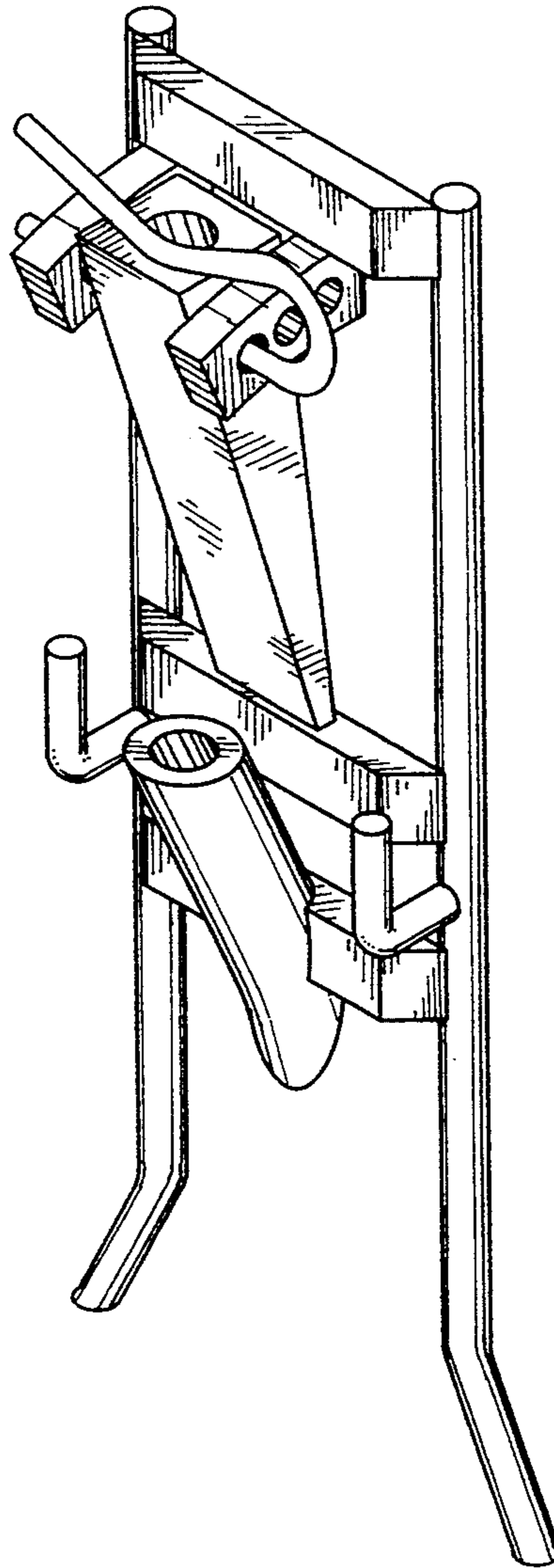
[57]

CLAIM

The ornamental design for a drill gauge, as shown and described.

DESCRIPTION

FIG. 1 is a front, right side perspective view of the drill gauge from above; and,
FIG. 2 is a rear, left side perspective view of the drill gauge from below.



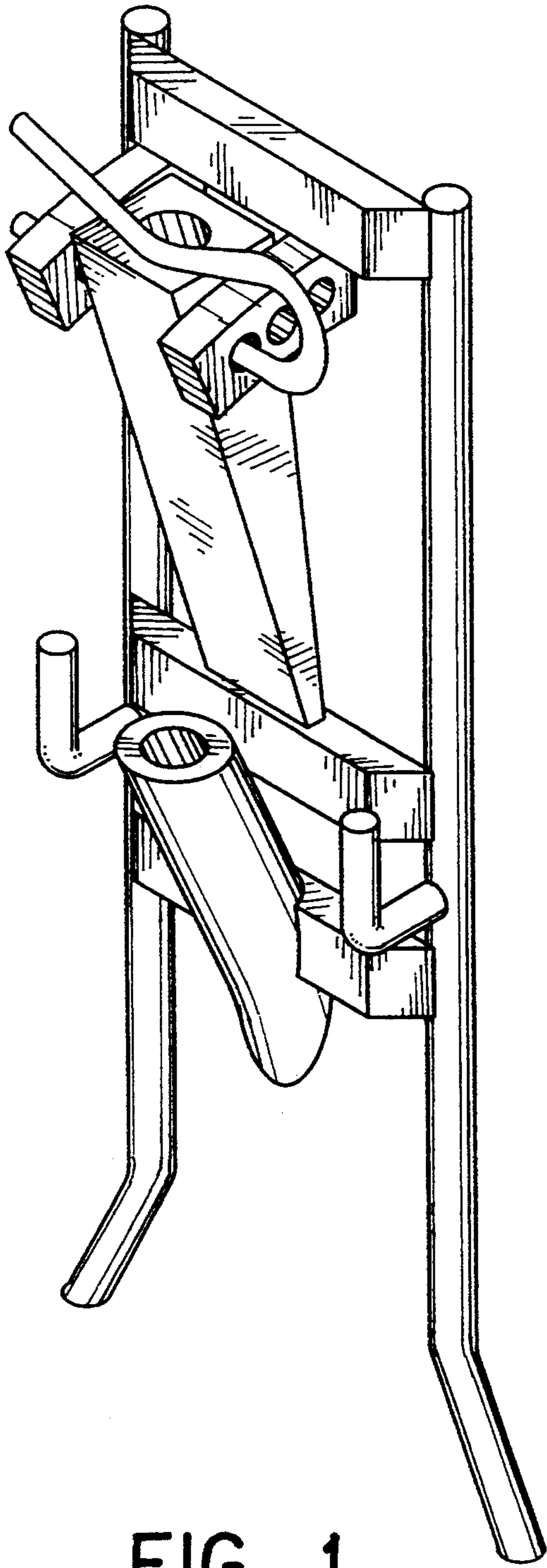


FIG. 1

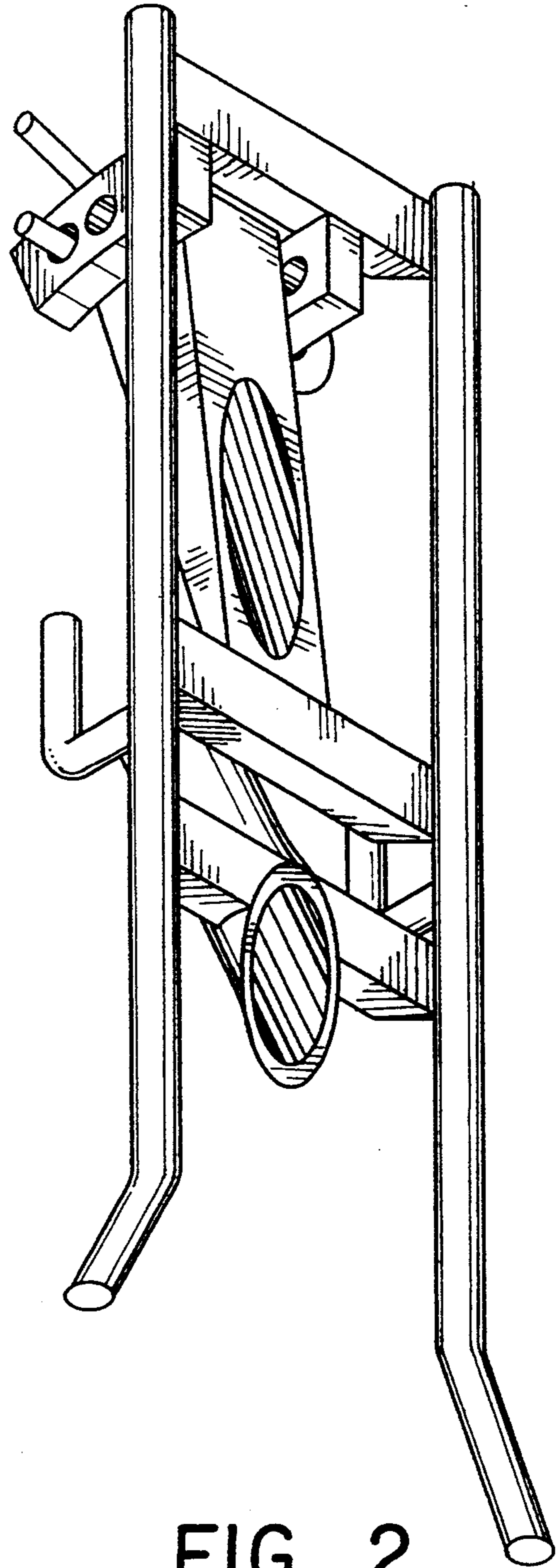


FIG. 2