



US00D357195S

# United States Patent [19]

[11] Patent Number: **Des. 357,195**

Palacio et al.

[45] Date of Patent: **\*\* Apr. 11, 1995**

[54] **RULER WITH ADJUSTABLE DIAMETER COMPASS**

2,659,976 11/1953 Callahan ..... 33/388 X  
3,003,244 10/1961 Fogliano ..... D10/65  
4,069,592 1/1978 Hosae ..... 33/387

[76] Inventors: **Luis Palacio**, P.O. Box 254,  
Woodhaven, New York, N.Y. 11421;  
**Julio C. Echeverri**, 135-20 Kew  
Gardens Rd., Richmond Hill, New  
York, N.Y. 11418

*Primary Examiner*—Alan P. Douglas  
*Assistant Examiner*—Antoine D. Davis  
*Attorney, Agent, or Firm*—H. Jay Spiegel

[\*\*] Term: **14 Years**

[57] **CLAIM**

The ornamental design for a ruler with adjustable diameter compass, as shown and described.

[21] Appl. No.: **19,612**

**DESCRIPTION**

[22] Filed: **Mar. 8, 1994**

[52] U.S. Cl. .... **D10/62; D10/65; D10/71**

[58] Field of Search ..... **D10/62, 65, 71; 33/339, 33/387, 388, 382, 403, 483-494, 548**

FIG. 1 shows a perspective view of the present invention;  
FIG. 2 shows a bottom view of the present invention;  
FIG. 3 shows a side view of the present invention;  
FIG. 4 shows the other side view of the present invention;  
FIG. 5 shows one end view of the present invention;  
and,  
FIG. 6 shows the other end view of the present invention.

[56] **References Cited**

**U.S. PATENT DOCUMENTS**

D. 312,795 12/1990 Fugett ..... D10/62

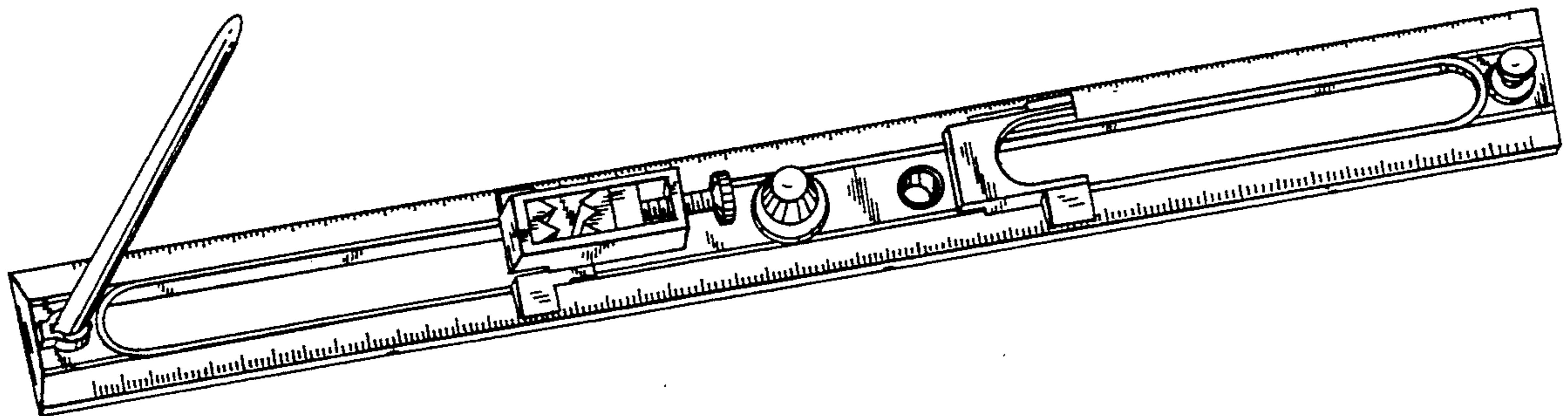


FIG. 1

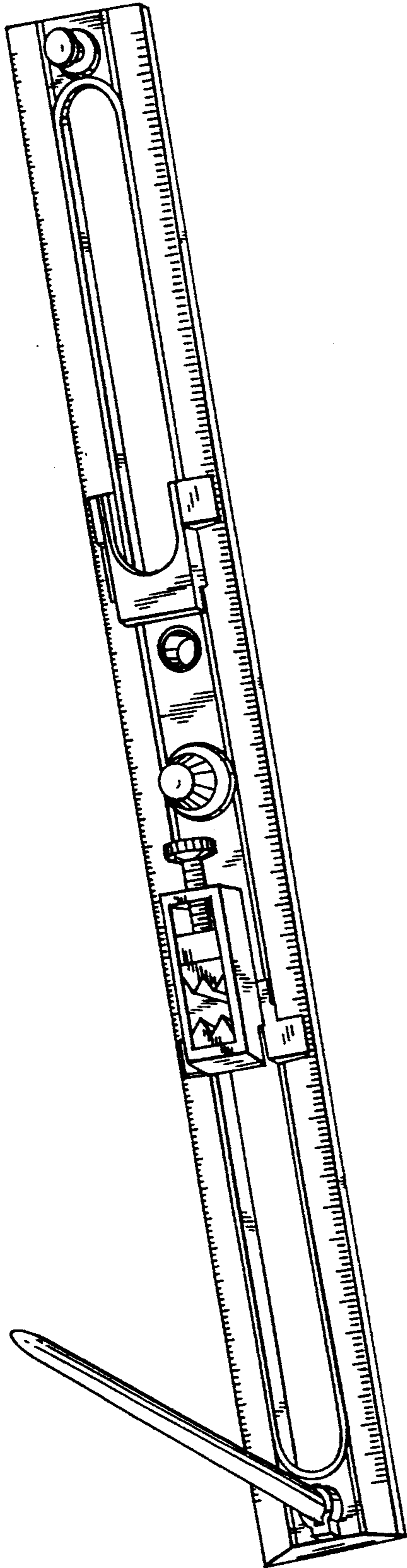
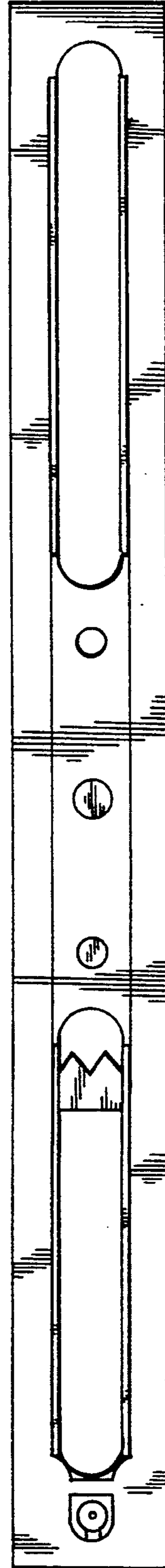


FIG. 2



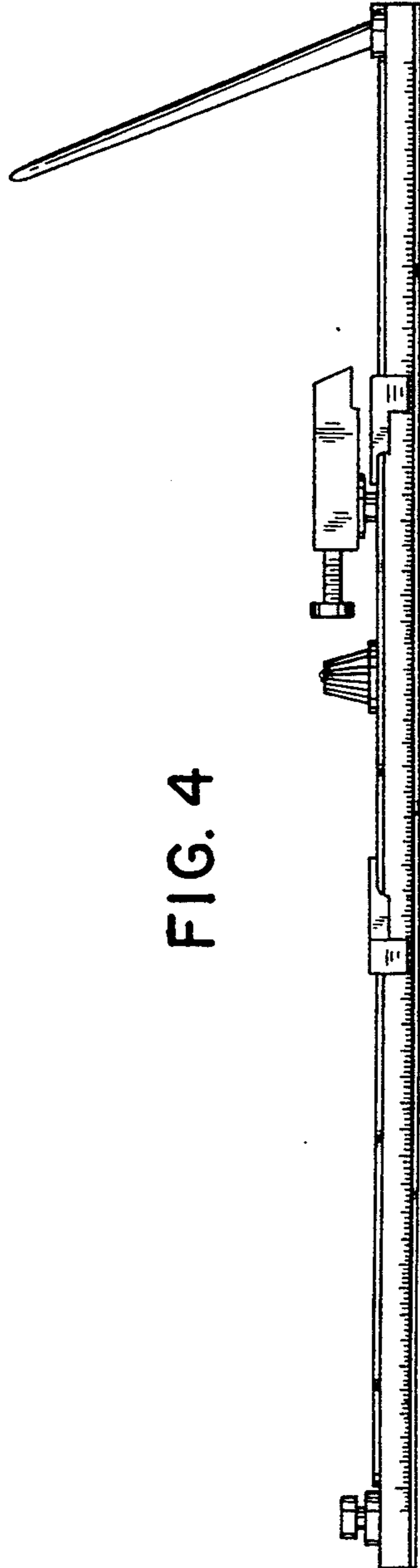
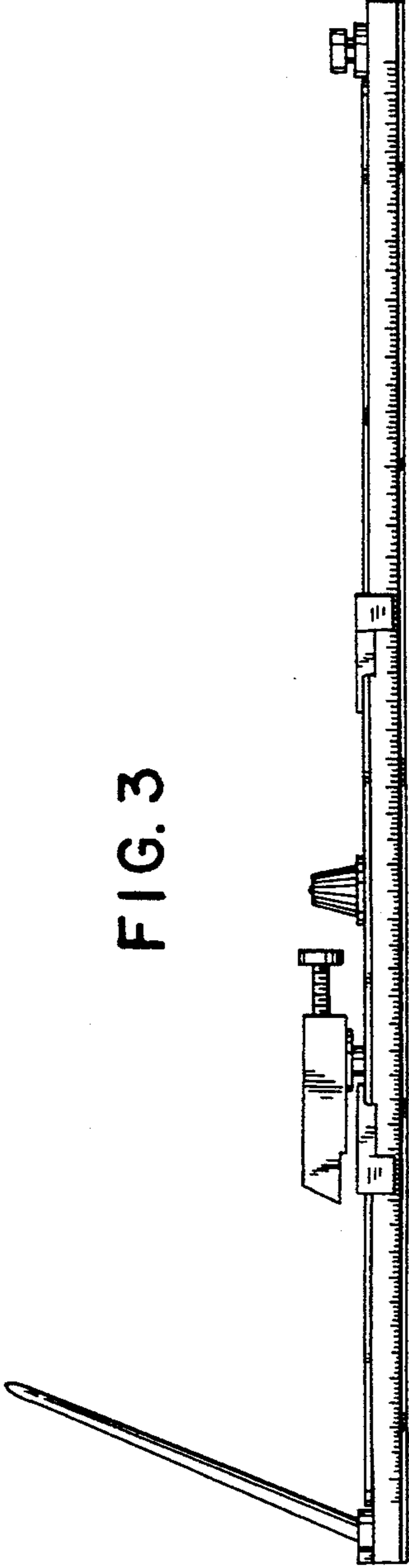


FIG. 6

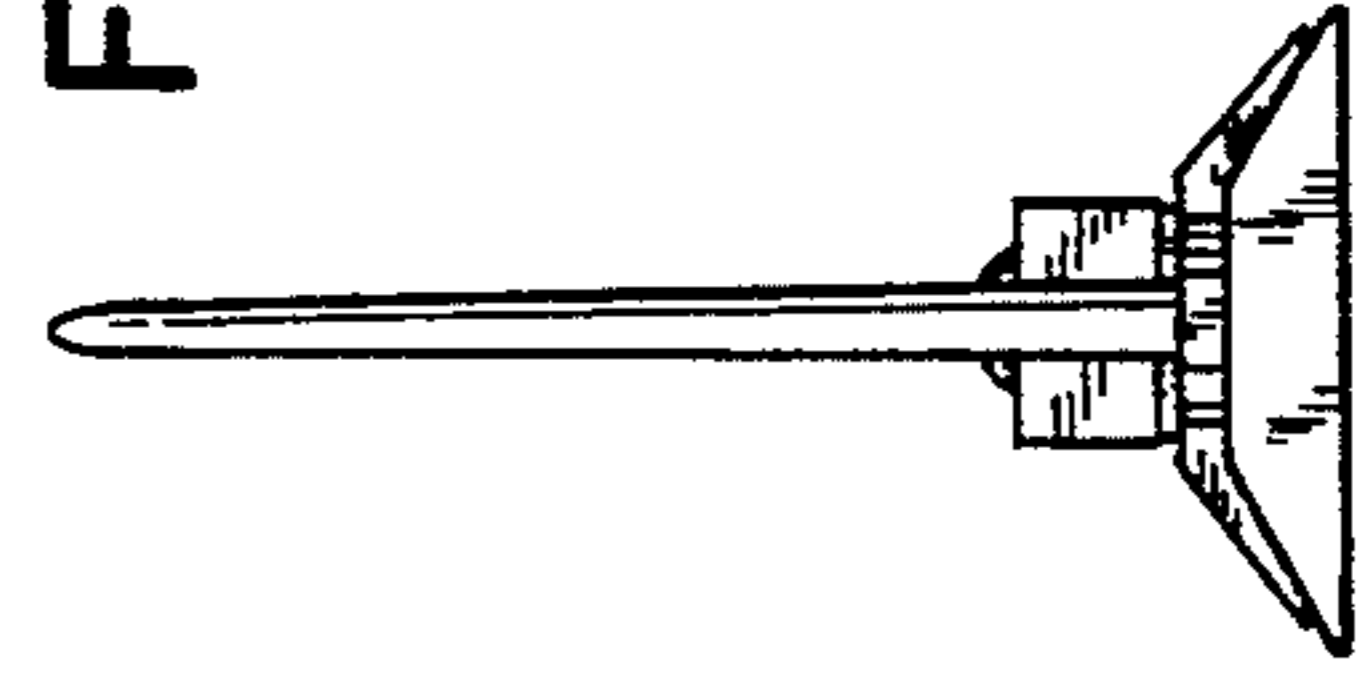


FIG. 5

