



US00D357194S

**United States Patent** [19]  
**O'Grady**

[11] **Patent Number: Des. 357,194**

[45] **Date of Patent: \*\* Apr. 11, 1995**

[54] **INFRARED PYROMETER CASE**

D. 329,396 9/1992 Mackay ..... D10/57  
5,159,936 11/1992 Yelderman et al. .... 128/736  
5,340,215 8/1994 Makita et al. .... 128/664 X

[75] **Inventor: Richard O'Grady, Southington, Conn.**

*Primary Examiner*—Alan P. Douglas  
*Assistant Examiner*—Antoine D. Davis  
*Attorney, Agent, or Firm*—Howard S. Reiter; Bruce E. Hosmer

[73] **Assignee: Omega Engineering, Inc., Stamford, Conn.**

[\*\*] **Term: 14 Years**

[57] **CLAIM**

[21] **Appl. No.: 19,036**

The ornamental design for an infrared pyrometer case, as shown and described.

[22] **Filed: Feb. 22, 1994**

[52] **U.S. Cl. .... D10/57**

**DESCRIPTION**

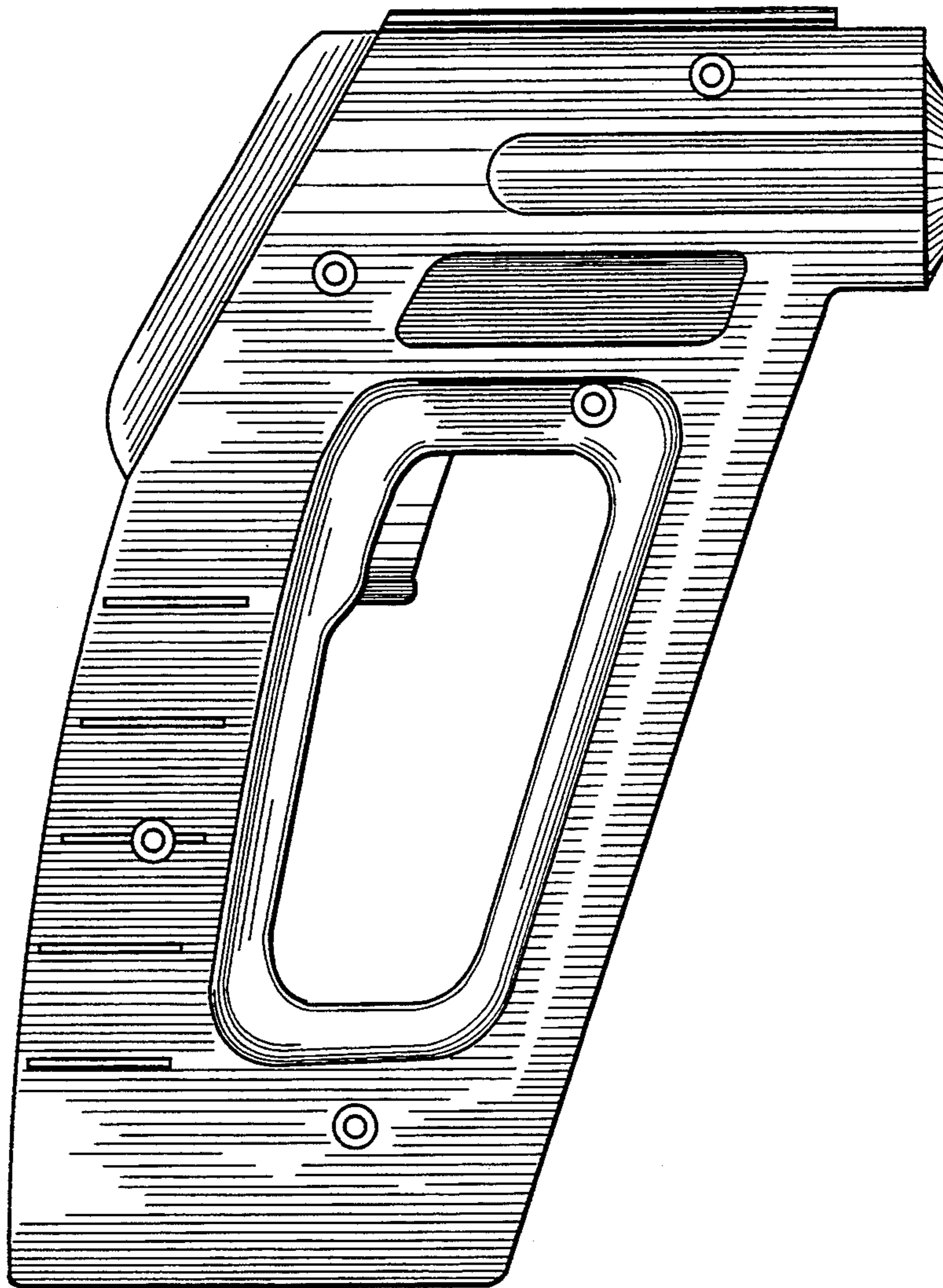
[58] **Field of Search .... D10/57; 128/664, 736, 128/771; 374/121, 126, 208, 29, 133, 143, 150, 142, 125, 110, 123**

FIG. 1 is a front elevation of the infrared pyrometer case showing my new design;  
FIG. 2 is a rear elevational view thereof;  
FIG. 3 is a right side elevational view thereof;  
FIG. 4 is a left side elevational view thereof;  
FIG. 5 is a bottom plan view thereof; and,  
FIG. 6 is a top plan view thereof.

[56] **References Cited**

**U.S. PATENT DOCUMENTS**

D. 317,414 6/1991 Lanci et al. .... D10/57



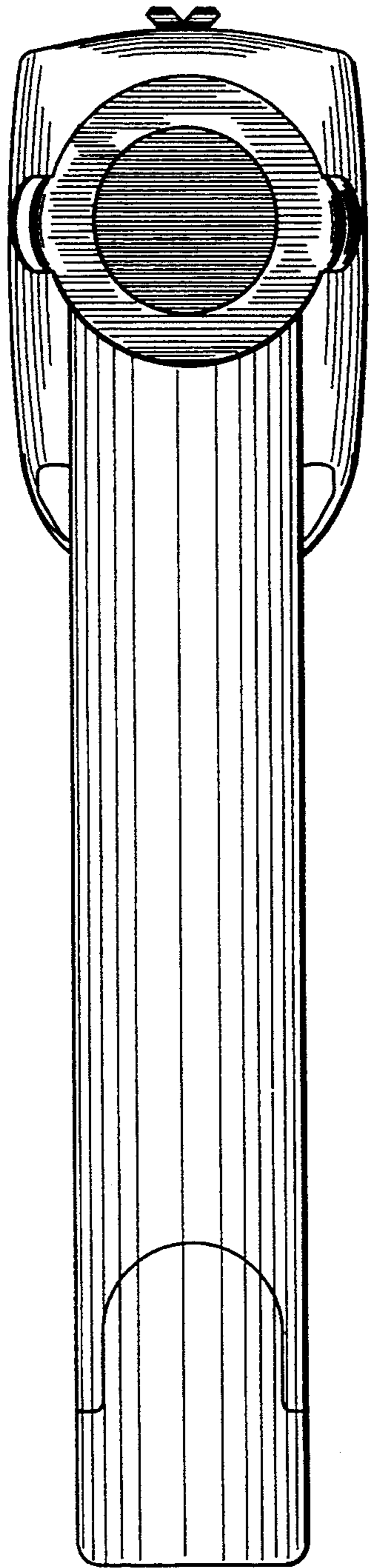


FIG. 1

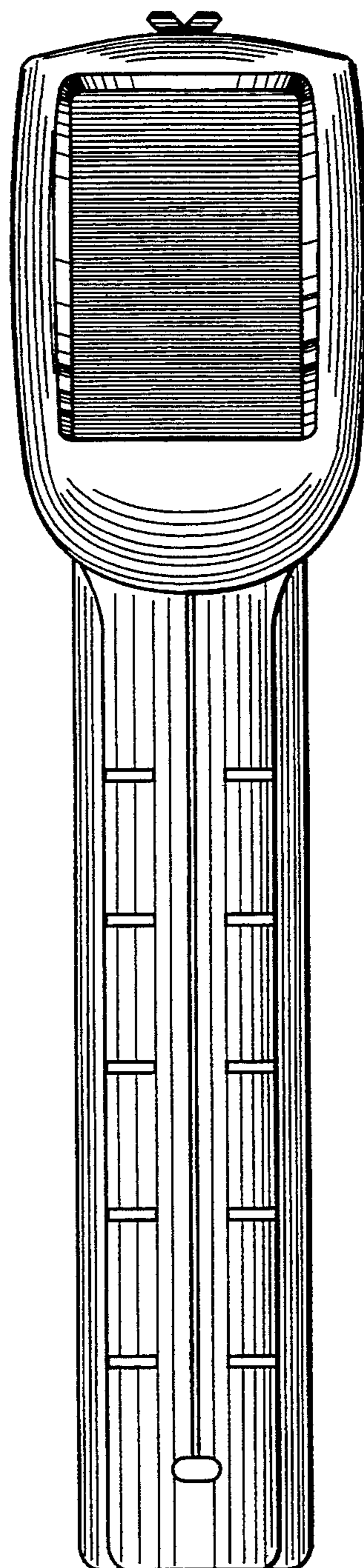


FIG. 2

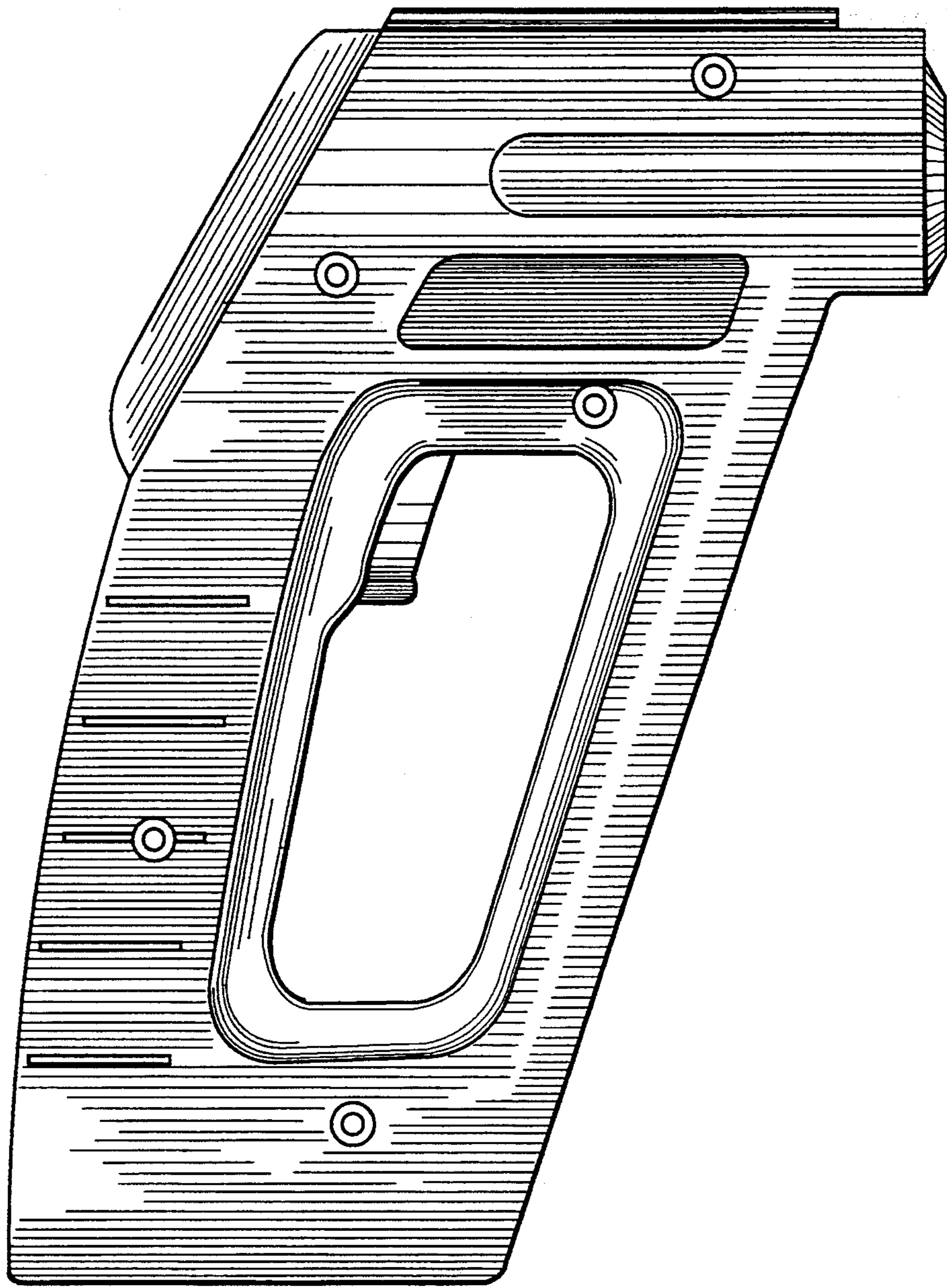


FIG. 3

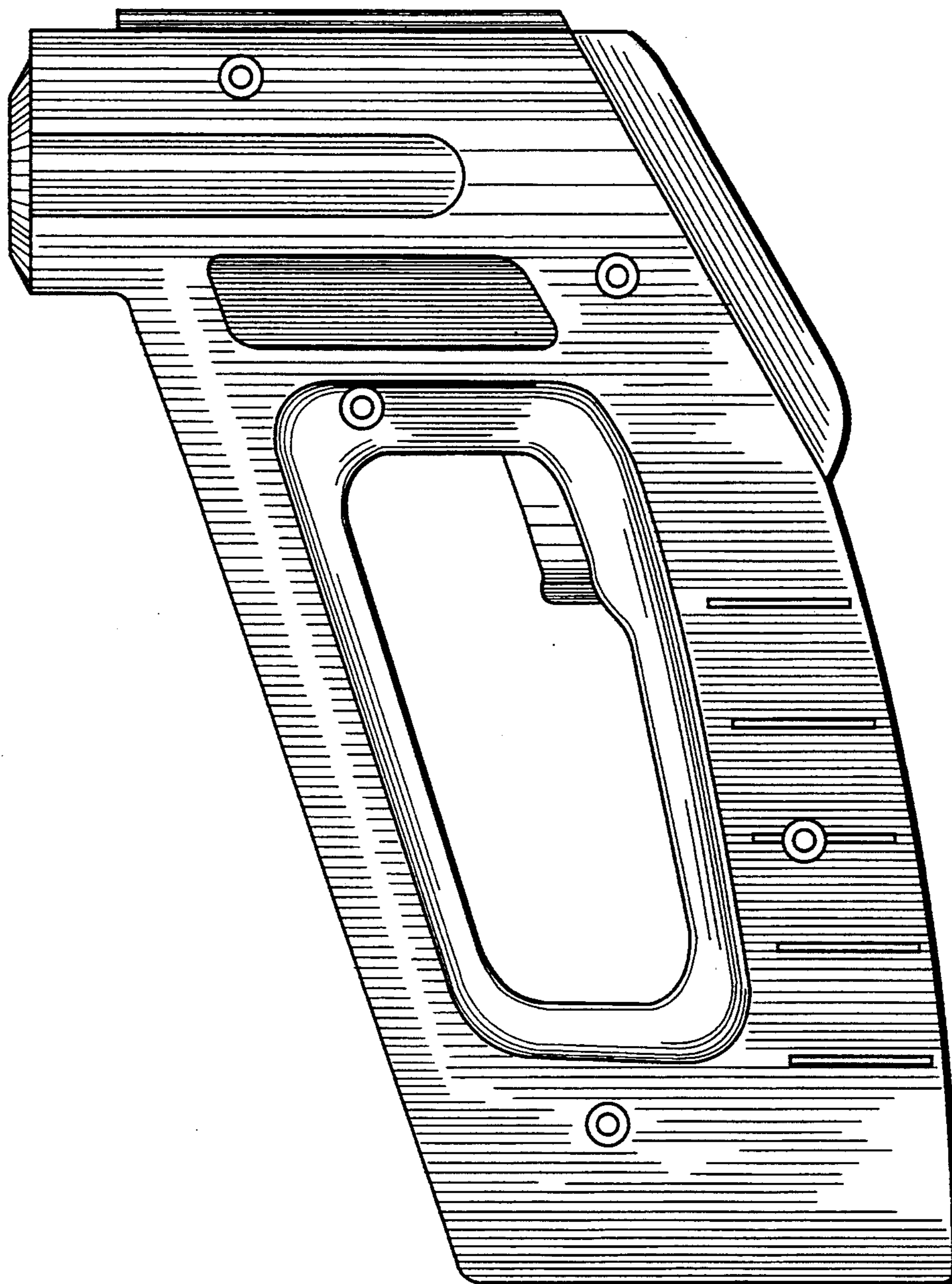


FIG. 4

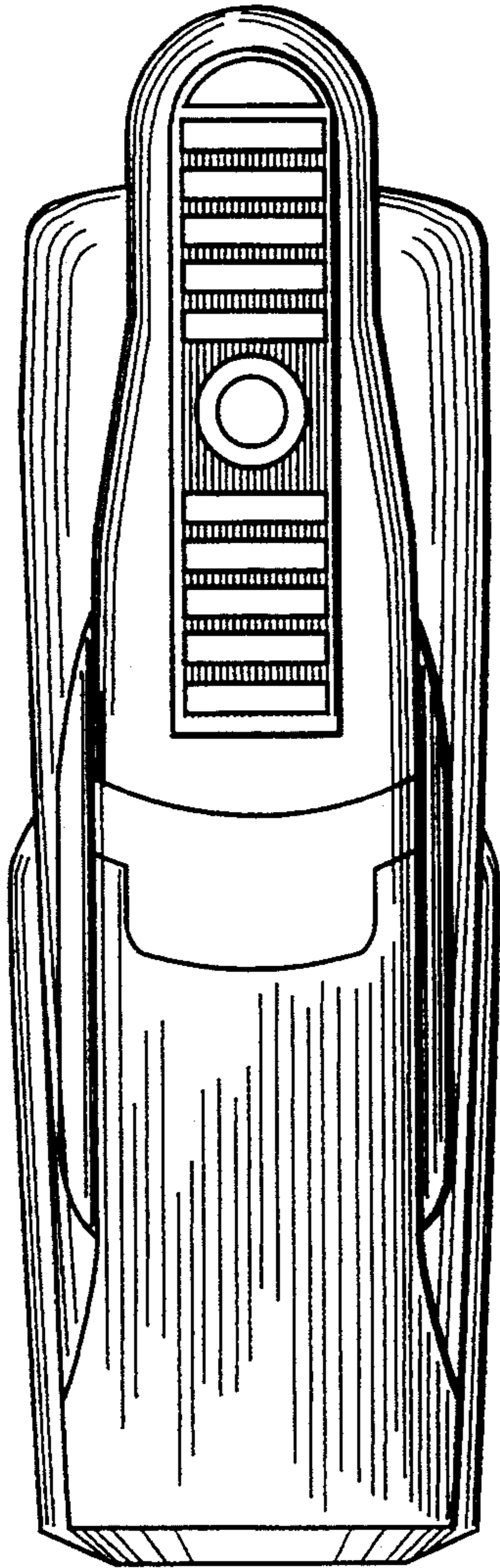


FIG. 5

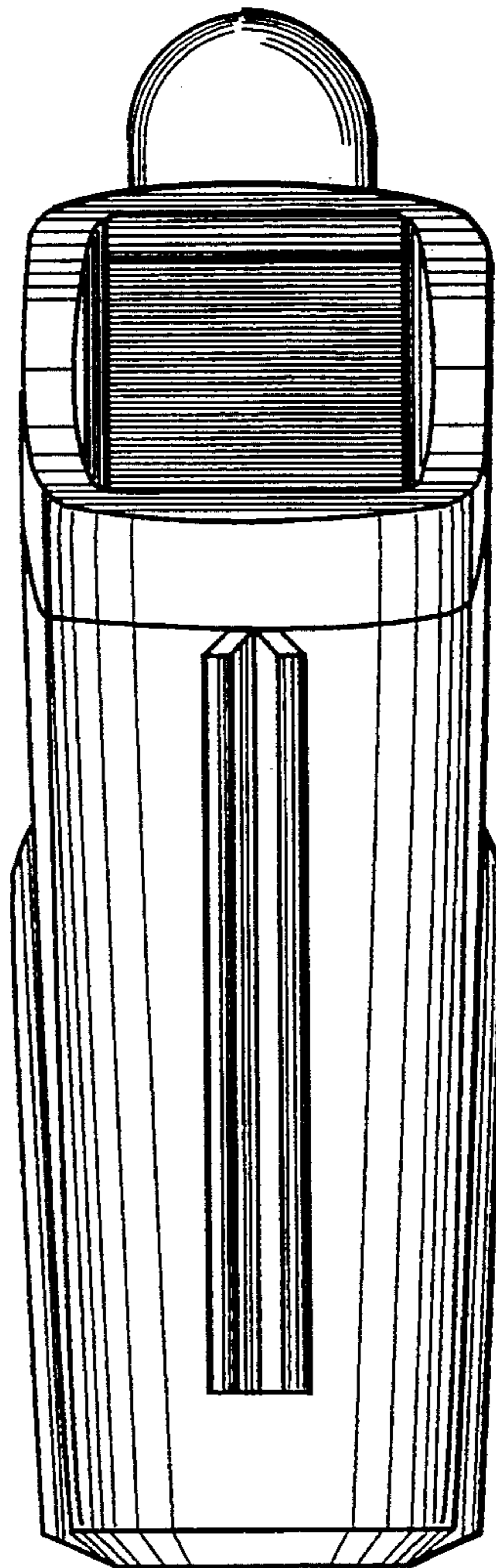


FIG. 6