



US00D357190S

United States Patent [19]

[11] Patent Number: **Des. 357,190**

Ip

[45] Date of Patent: **** Apr. 11, 1995**

[54] DESK CLOCK

- [75] Inventor: **Yiu T. Ip, Shatin, Hong Kong**
- [73] Assignee: **Artfield Manufacturing Company Limited, New Territories, Hong Kong**
- [**] Term: **14 Years**
- [21] Appl. No.: **8,636**
- [22] Filed: **May 24, 1993**
- [52] U.S. Cl. **D10/28; D10/130**
- [58] Field of Search **D10/1-40, D10/122-132; 368/316-317, 179-180, 276-277, 285**

OTHER PUBLICATIONS

- Jeweler's Circular-Keystone* Sep. 1984-p. 84-Clock At Center.
- Swiss Watch & Jewelry Journal* -Jan. 1988 p. 145-Clocks At Bottom.
- Hong Kong Enterprise*-Jun. 1990-p. 70-All Clocks.
- Home Furn. Daily*-5/7-13/86-p. 183. Clock At Top Left.
- Primary Examiner*-Nelson C. Holtje
- Attorney, Agent, or Firm*-Oloff & Berridge

[57] CLAIM

The ornamental design for a desk clock, as shown.

DESCRIPTION

- FIG. 1 is a front view of the article the subject of my invention;
- FIG. 2 is a view from one side of the article;
- FIG. 3 is a view from the back of the article;
- FIG. 4 is a view from the top of the article;
- FIG. 5 is a view from beneath the article; and,
- FIG. 6 is a perspective view of the article.

[56] References Cited

U.S. PATENT DOCUMENTS

D. 1,966	6/1864	Dunn	D10/28
D. 7,251	3/1874	Blakesley	D10/28
D. 335,459	5/1993	Moore	D10/28
D. 347,582	6/1994	Moore	D10/28
2,351,679	6/1944	Harris	D6/396 X

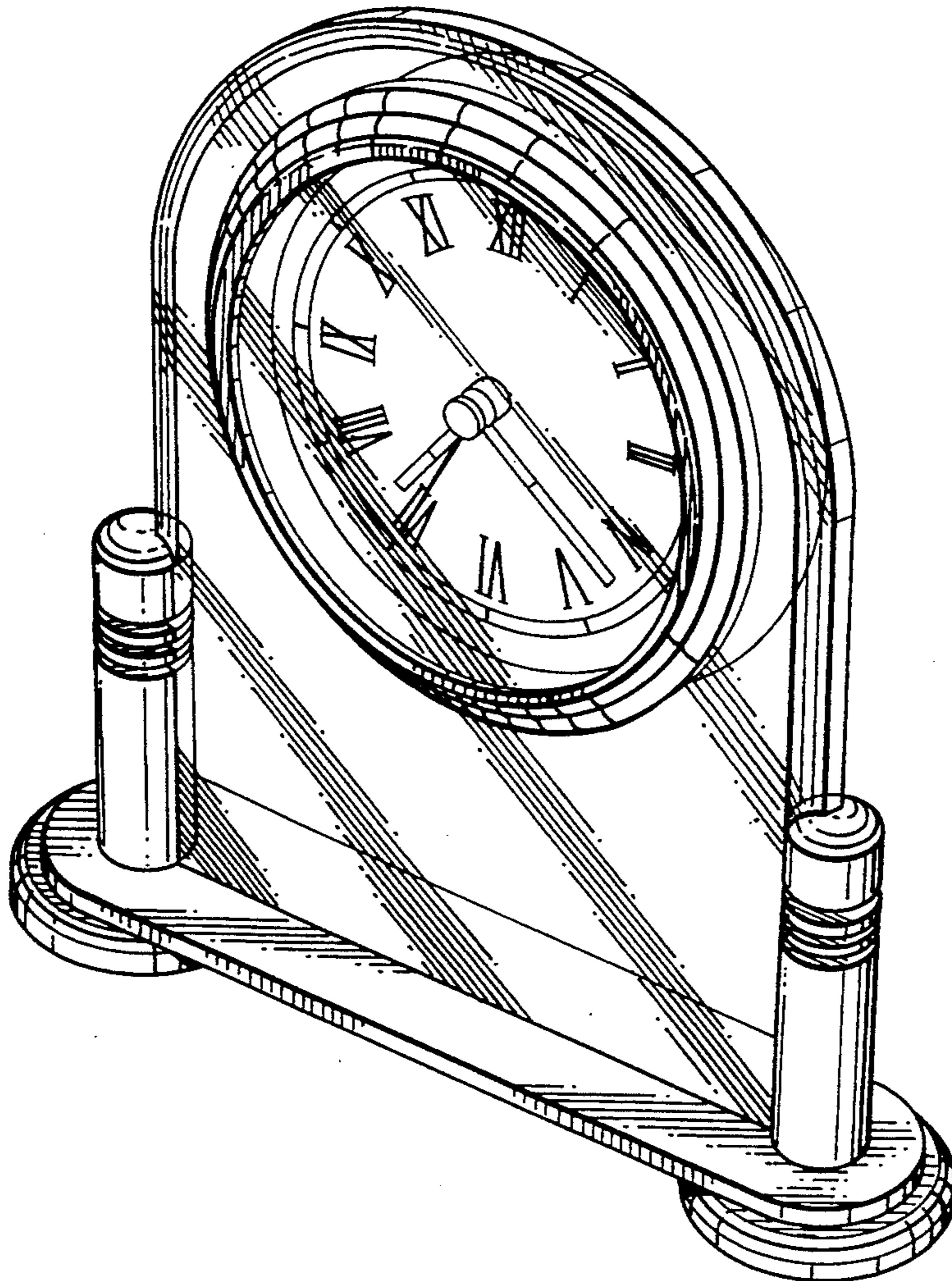


FIG. 2

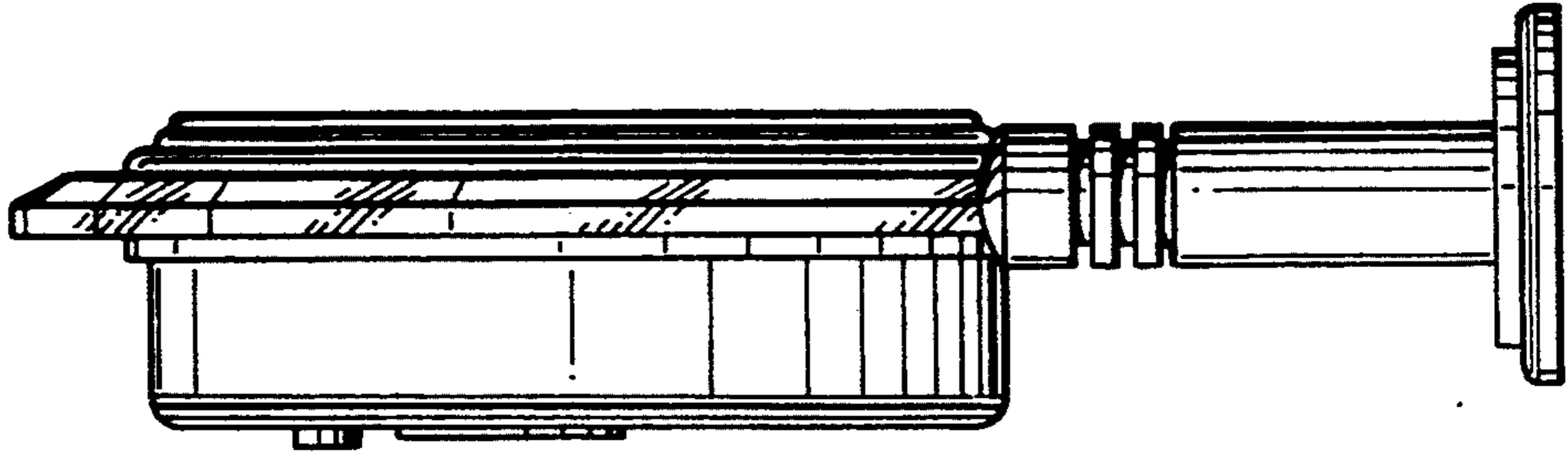


FIG. 1

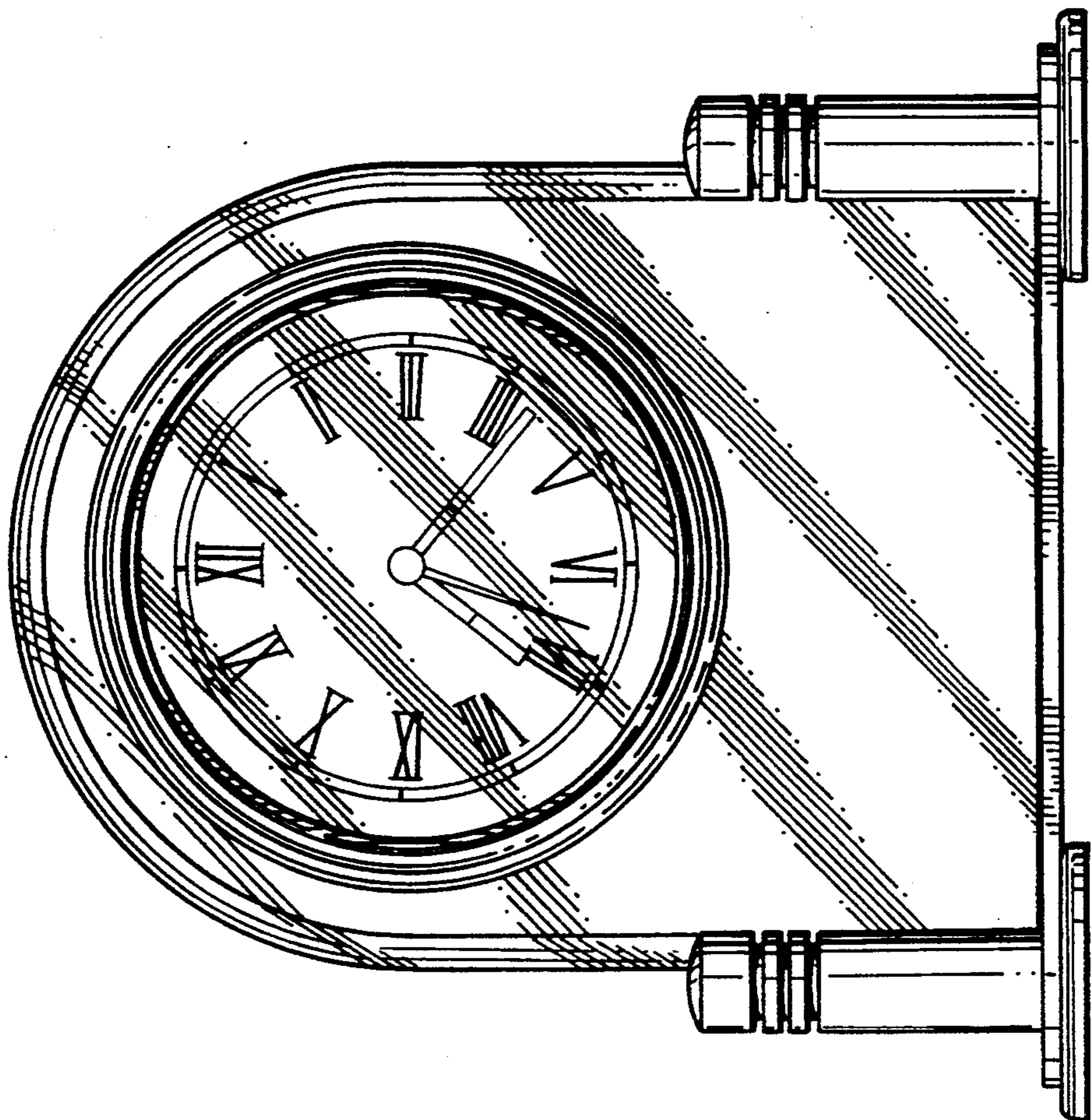


FIG. 3

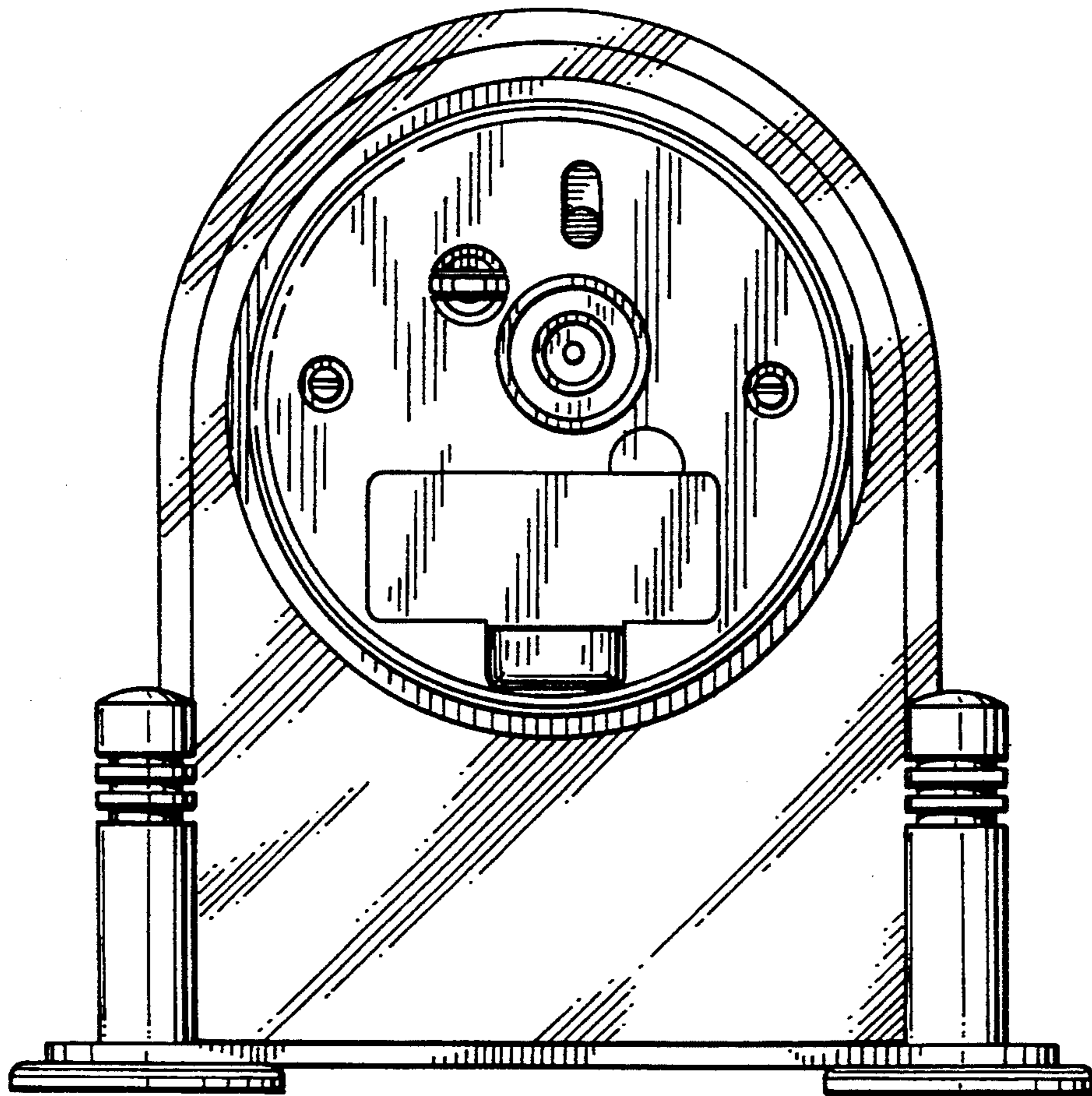


FIG. 4

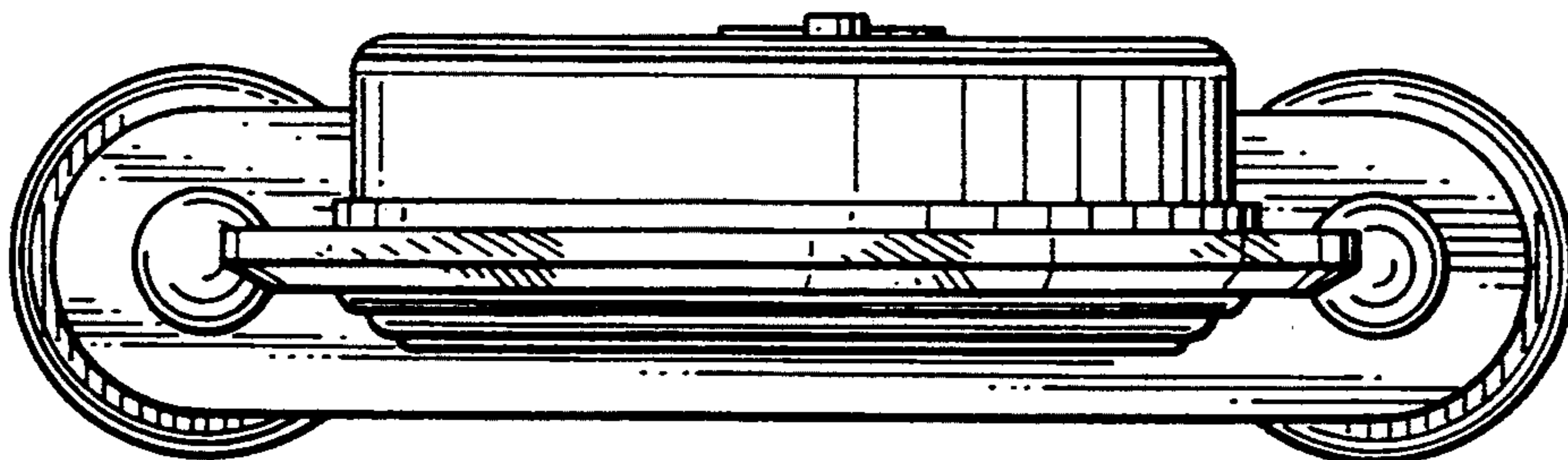


FIG. 5

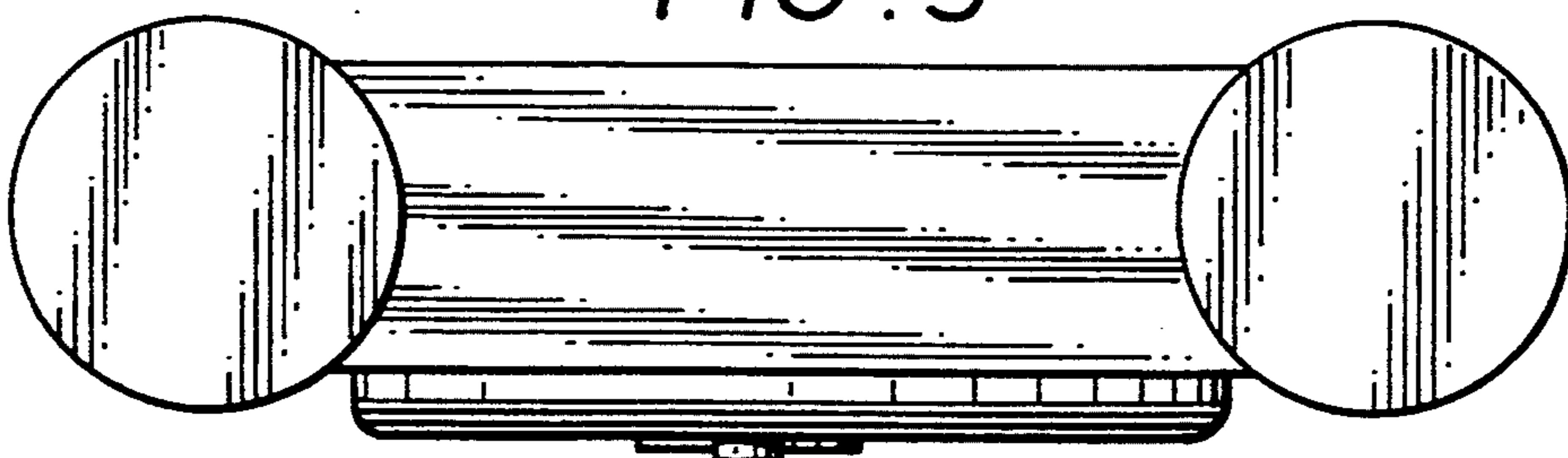


FIG. 6

