



US00D357184S

United States Patent [19]

[11] Patent Number: **Des. 357,184**

Keith et al.

[45] Date of Patent: **** Apr. 11, 1995**

[54] LONG NECK SPOUT

[76] Inventors: **Angela M. Keith, 3268 Sarah St.;
Daniel M. Sanford, 117 Bobbie St.,
both of Bossier City, La. 71112**

[**] Term: **14 Years**

[21] Appl. No.: **11,488**

[22] Filed: **Aug. 6, 1993**

[52] U.S. Cl. **D9/447**

[58] Field of Search **D9/434-436,
D9/440, 442-444, 447, 452, 454, 499; D7/392,
392.1; 215/317; 220/287, 711; 222/192, 542,
566, 570, 711**

4,462,137	7/1984	Berfield et al.	25/353
4,508,550	4/1985	Berfield et al.	55/216
4,530,543	7/1985	Keane	301/63 PW
4,547,927	10/1985	Berfield	15/327
4,579,257	4/1986	Braendlein	222/192
4,609,387	9/1986	Berfield et al.	55/320
4,623,366	11/1986	Berfield et al.	55/216
4,655,694	4/1987	Berfield	417/423
4,883,192	11/1989	Krugman	222/566
4,906,265	3/1990	Berfield	55/379
5,050,264	9/1991	Breslin	15/327
5,071,042	12/1991	Esposito	222/570
5,184,041	2/1993	Baer et al.	310/239

Primary Examiner—Alan P. Douglas
Assistant Examiner—R. Spear
Attorney, Agent, or Firm—John M. Harrison

[56] **References Cited**

U.S. PATENT DOCUMENTS

D. 28,854	6/1898	Sieghortner	D9/442
D. 268,395	3/1983	Humphries	D9/443
D. 274,696	7/1984	Marsden	D9/447
D. 278,127	3/1985	Tada	D9/434
D. 298,015	10/1988	Gendron et al.	D9/447
D. 298,108	10/1988	Heck et al.	D9/444
2,333,017	10/1943	Leathers	230/132
2,863,524	12/1958	Buda	183/37
3,048,961	8/1962	Kemnitz	55/471
3,365,864	1/1968	Iizima	55/471
3,775,951	12/1973	Eicholz et al.	55/417
4,118,208	10/1978	Klinedinst	55/433
4,185,974	1/1980	Hiester	55/216
4,280,245	7/1981	Hiester	25/326

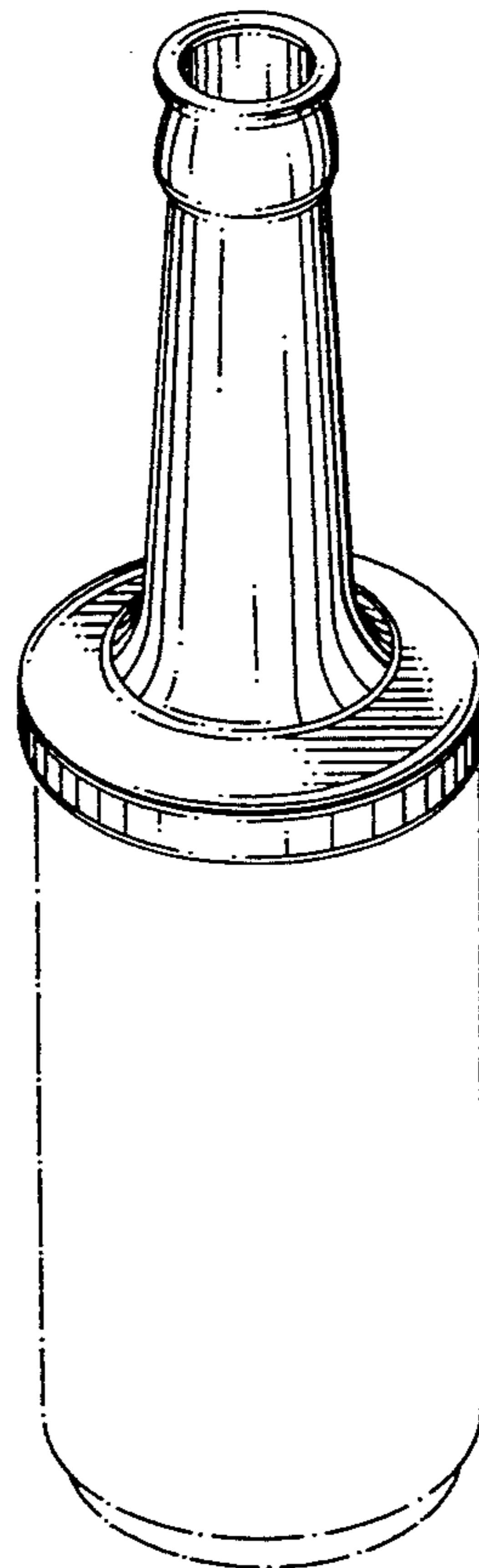
[57] **CLAIM**

The ornamental design for a "long neck spout", as shown and described.

DESCRIPTION

FIG. 1 is a perspective view of the long neck spout, showing our new design;
FIG. 2 is a front elevational view thereof, all other side and rear elevational views being identical thereto;
FIG. 3 is a top elevation thereof; and,
FIG. 4 is a bottom elevation of the long neck spout illustrated in FIGS. 1-3.

The broken line showing of a container is for illustrative purposes only and forms no part of the claimed design.



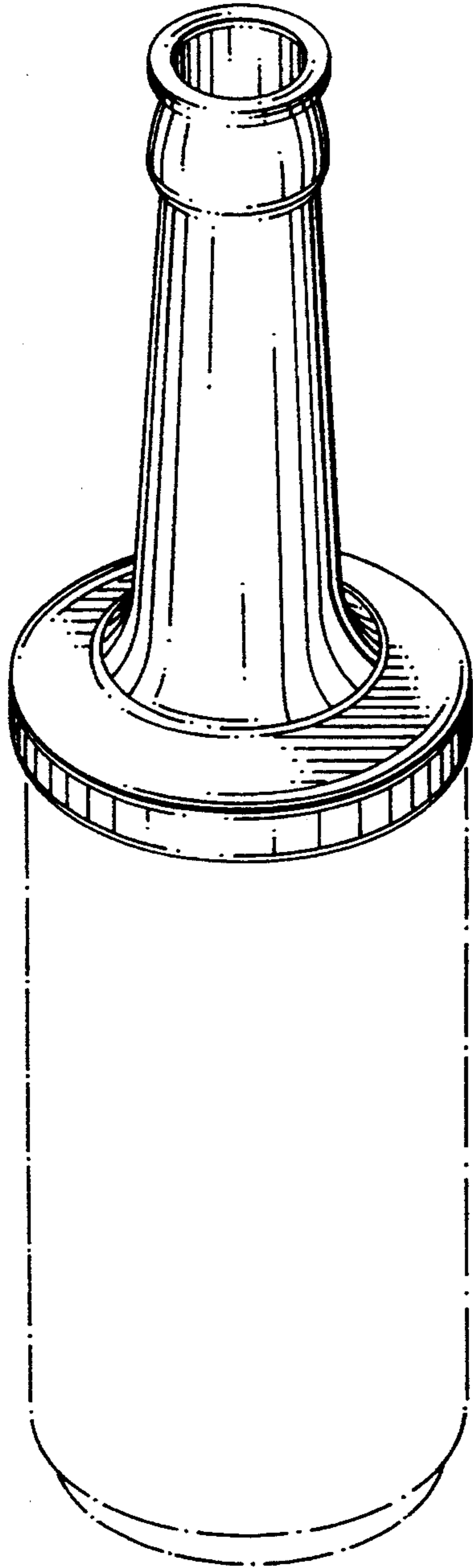


FIG. 1

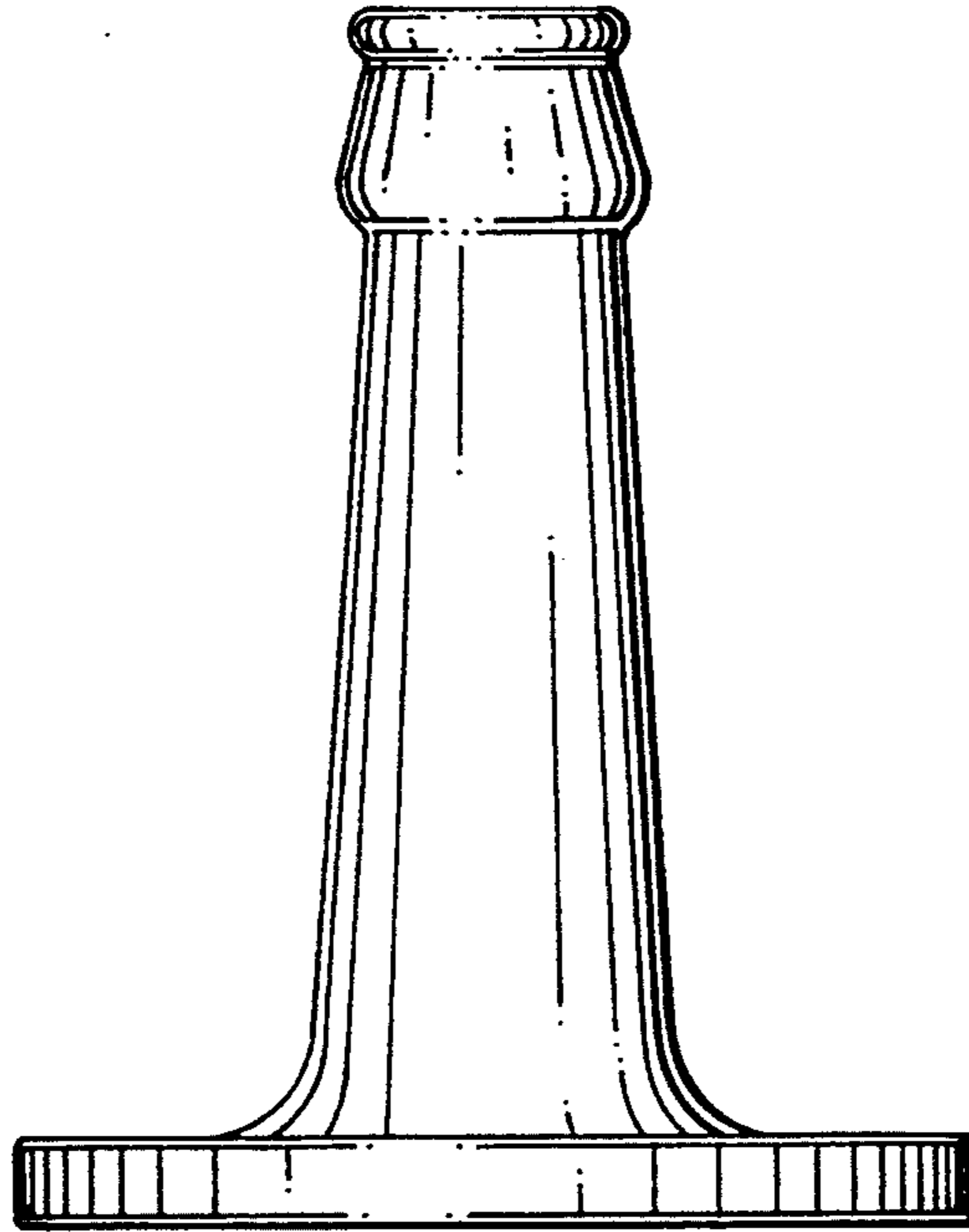


FIG. 2

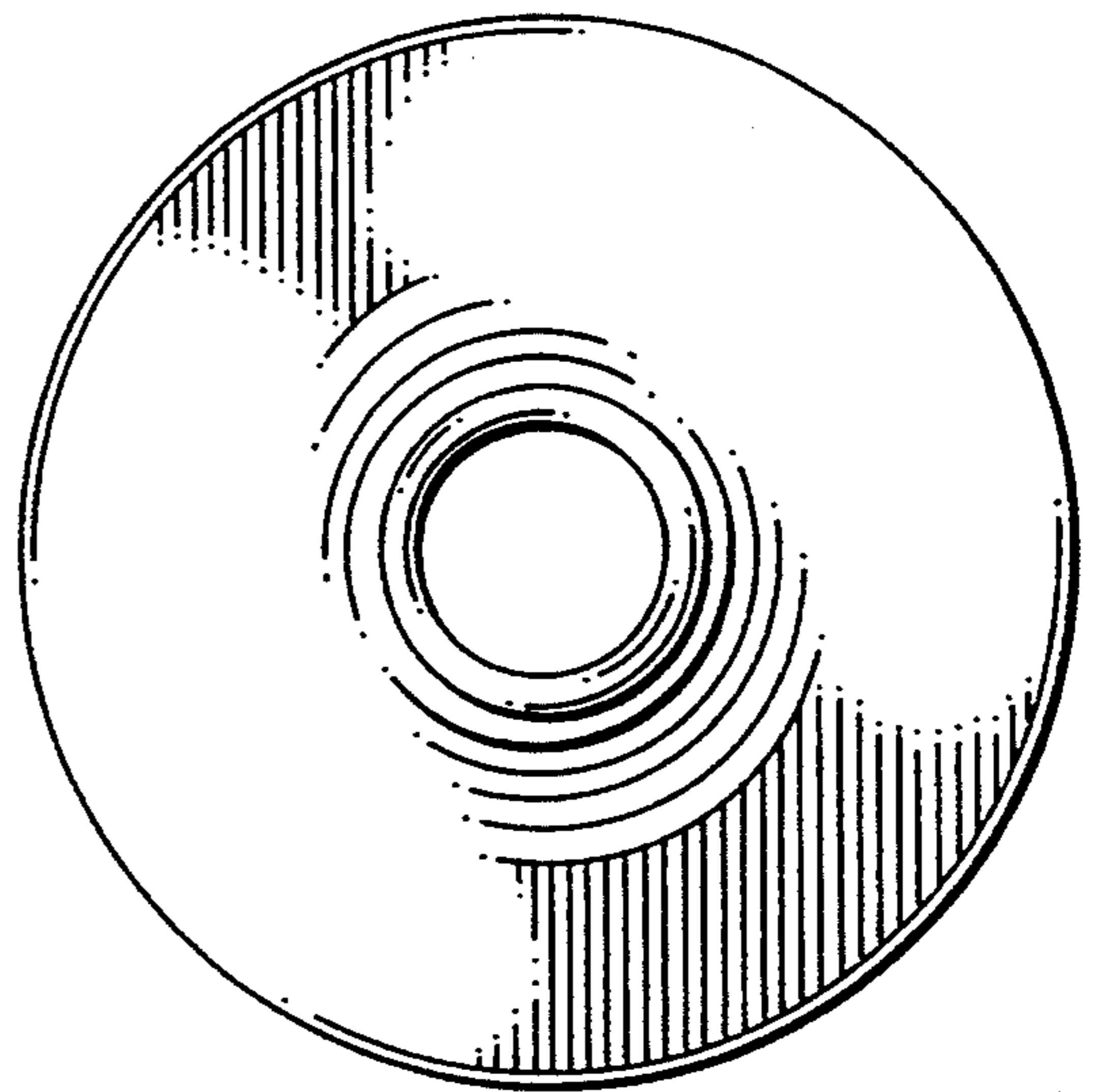


FIG. 3

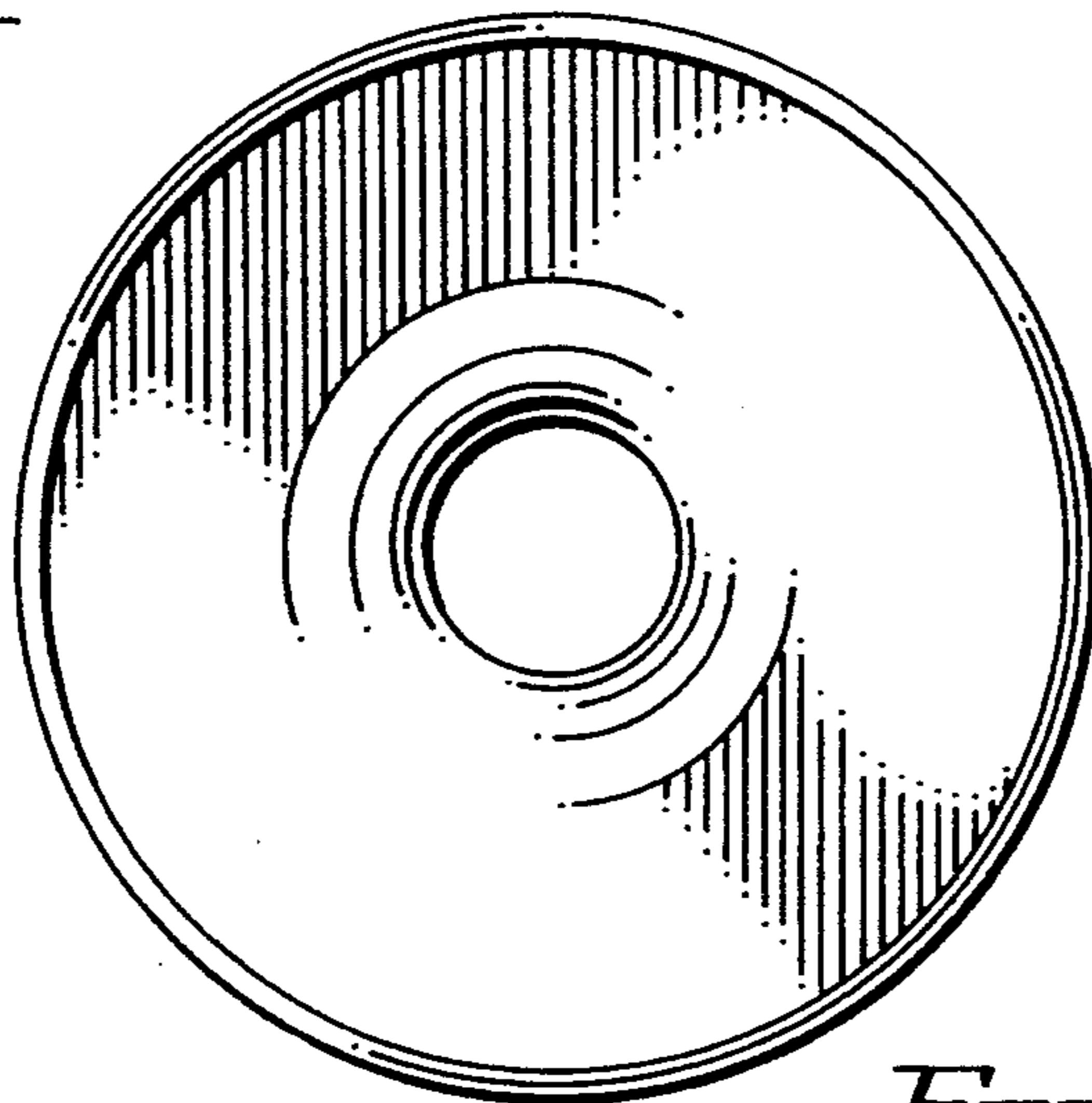


FIG. 4