



US00D357181S

United States Patent [19] Baker

[11] Patent Number: **Des. 357,181**

[45] Date of Patent: **** Apr. 11, 1995**

[54] **PACKAGE FOR A SPHERICAL OBJECT**

[75] Inventor: **Jay J. Baker**, Mayville, N.Y.

[73] Assignee: **Jamestown Plastics, Inc.**, Brocton, N.Y.

[**] Term: **14 Years**

[21] Appl. No.: **14,506**

[22] Filed: **Oct. 22, 1993**

[52] U.S. Cl. **D9/418**

[58] Field of Search **D9/418, 415, 414, 337, D9/425, 424, 432, 456, 455; D11/131, 164; 206/315.9, 315.19, 45.31, 45.34, 44 R, 44.11; 224/919**

[56] **References Cited**

U.S. PATENT DOCUMENTS

- D. 183,387 8/1958 Flauder D11/131 X
- D. 329,377 9/1992 Cortelli et al. D9/418
- 3,521,690 7/1970 Davis 206/315.91

- 3,987,893 10/1976 Hanson 206/315.9 X
- 4,993,548 2/1991 Peterson 224/919 X
- 5,115,965 5/1992 Girona Alepuz 206/315.9 X
- 5,165,538 11/1992 Peters 206/315.9

Primary Examiner—Prabhakar G. Beshmukh
Attorney, Agent, or Firm—Phillips, Lytle, Hitchcock, Blaine & Huber

[57] **CLAIM**

The ornamental design for a package for a spherical object, as shown and described.

DESCRIPTION

FIG. 1 is a perspective view of a package for a spherical object showing my new design; FIG. 2 is a top plan view thereof; FIG. 3 is a bottom plan view thereof; FIG. 4 is a front elevational view thereof; the rear elevational view being a mirror image thereof; and, FIG. 5 is a left side elevational view thereof; the right side elevational view being a mirror image thereof.

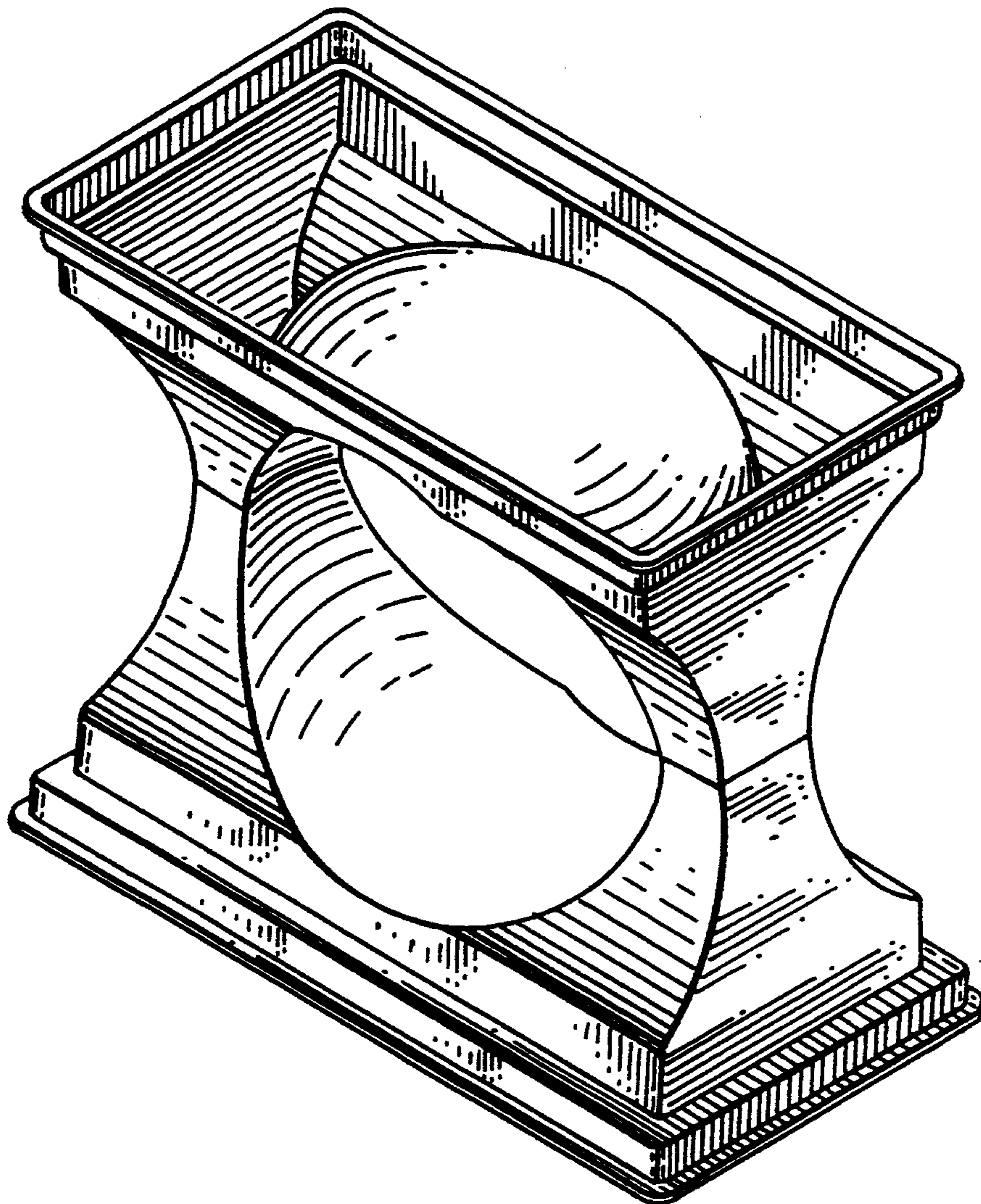


Fig. 1.

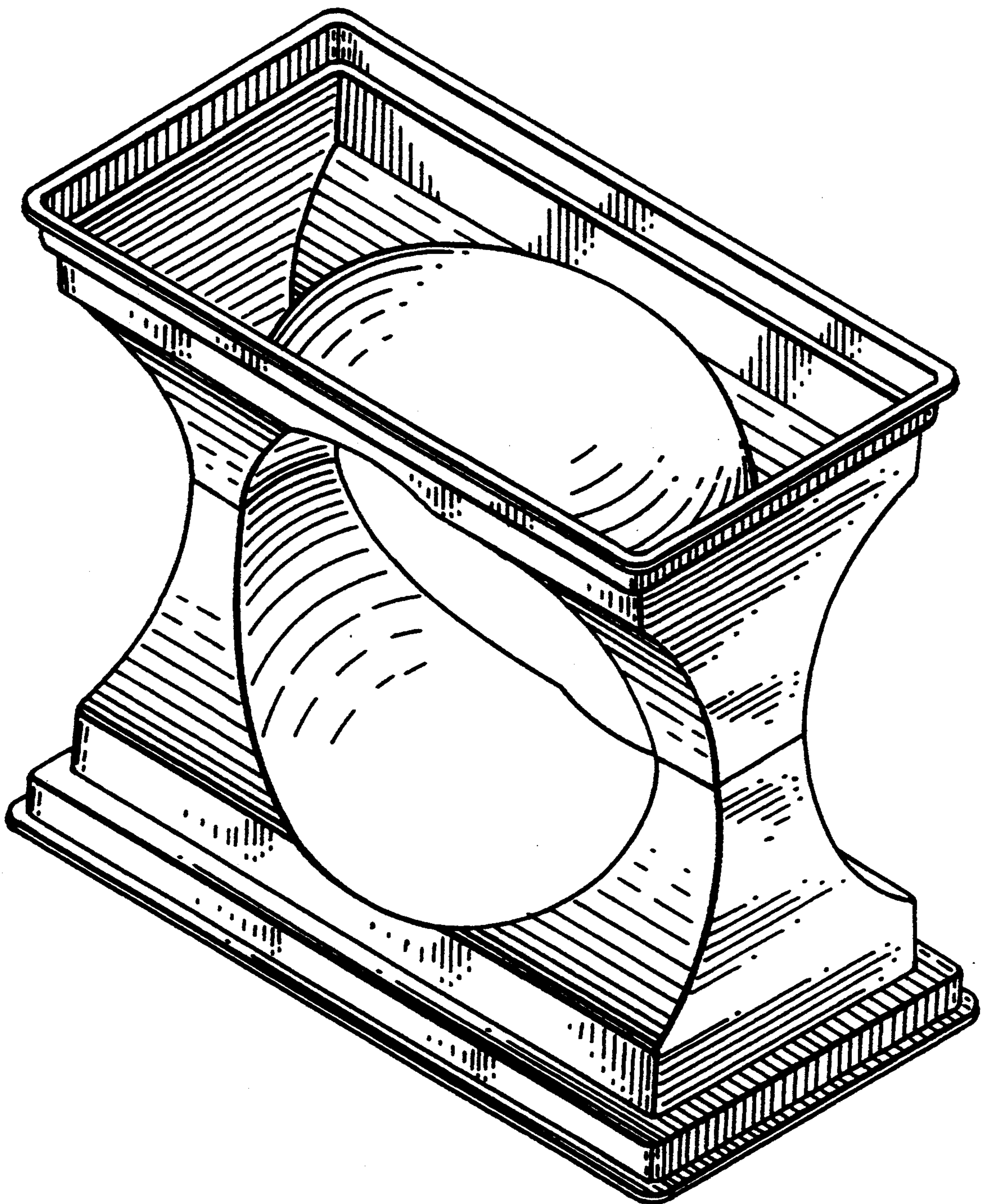


Fig. 2.

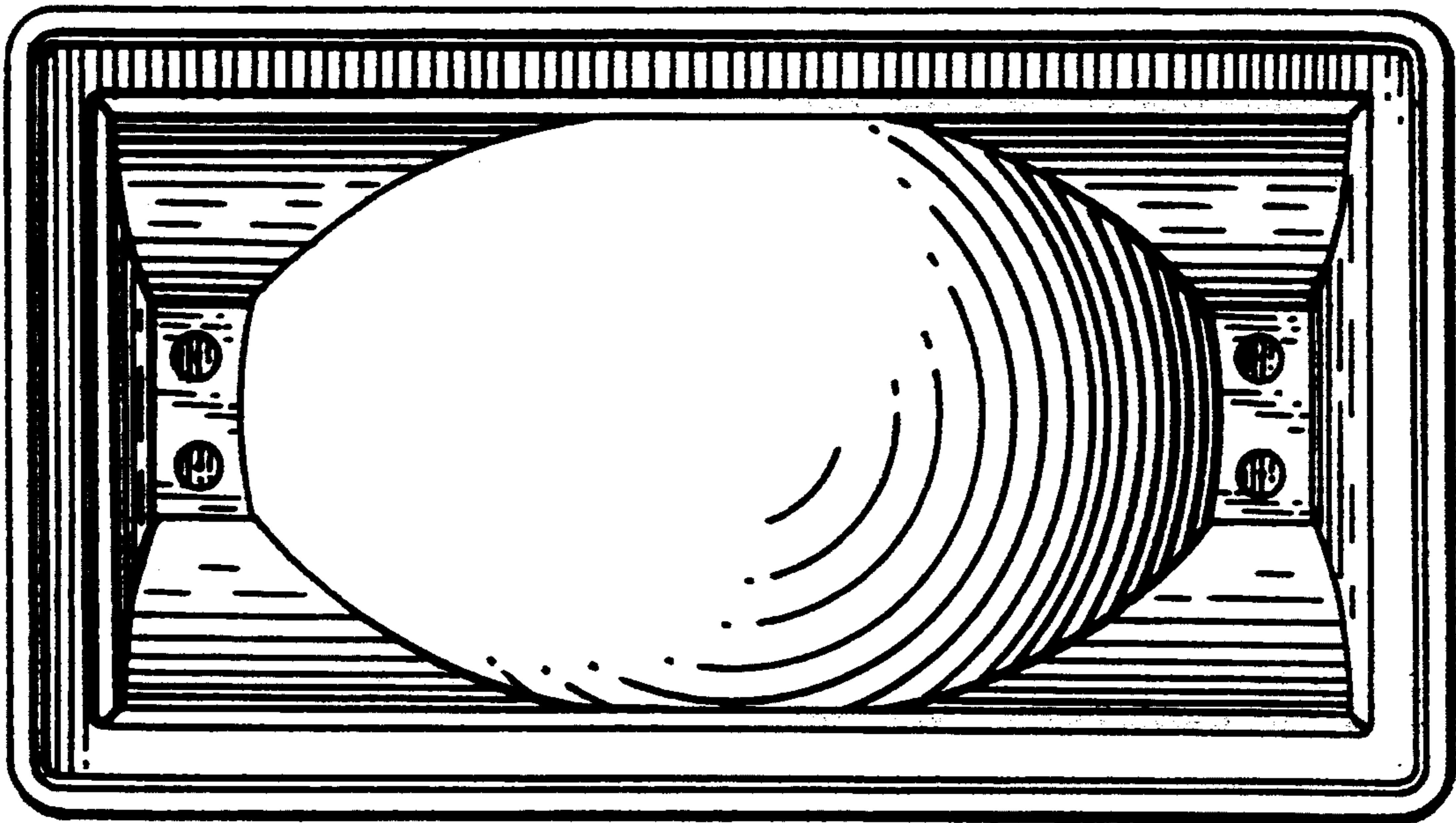
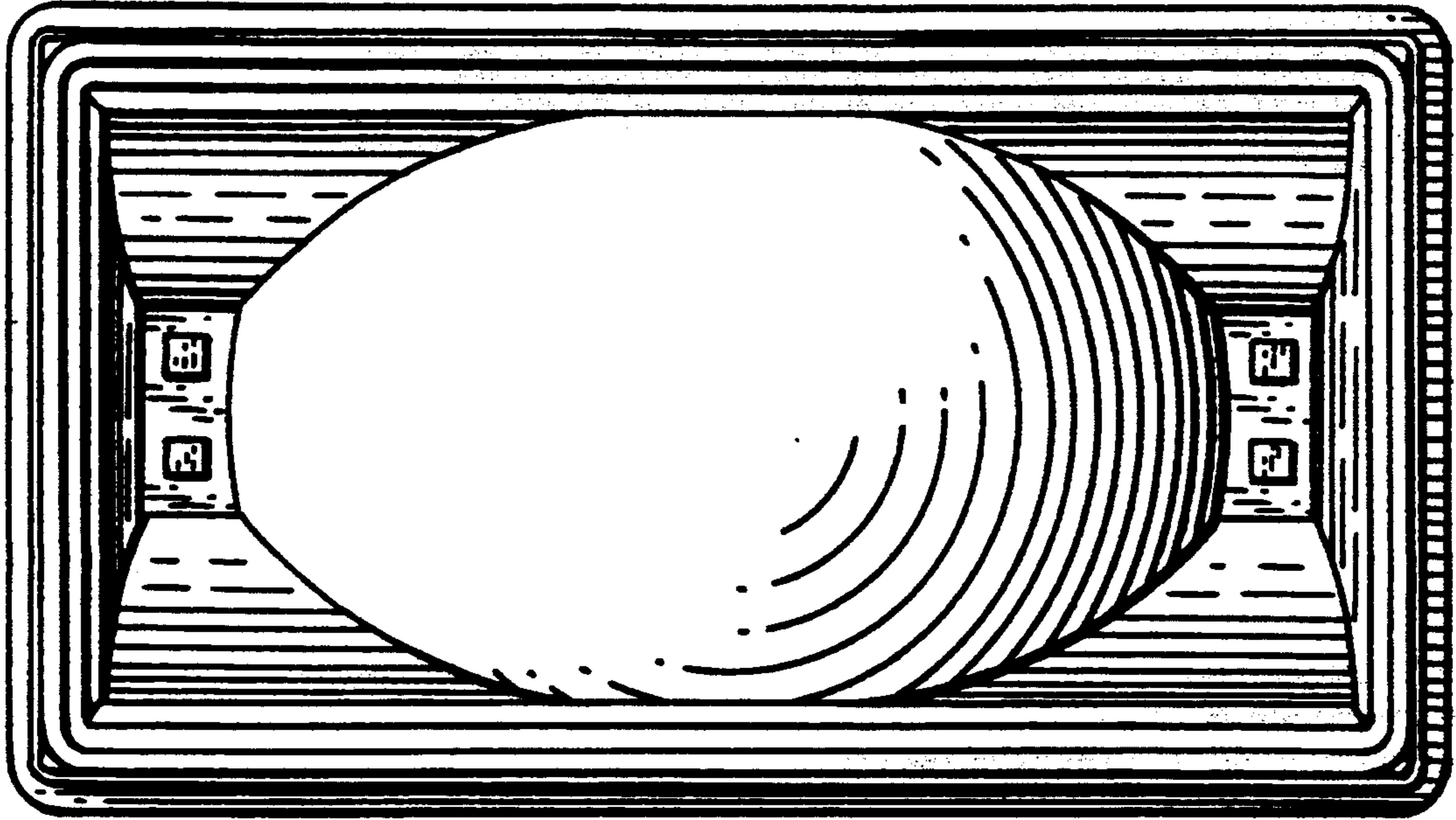


Fig. 3.

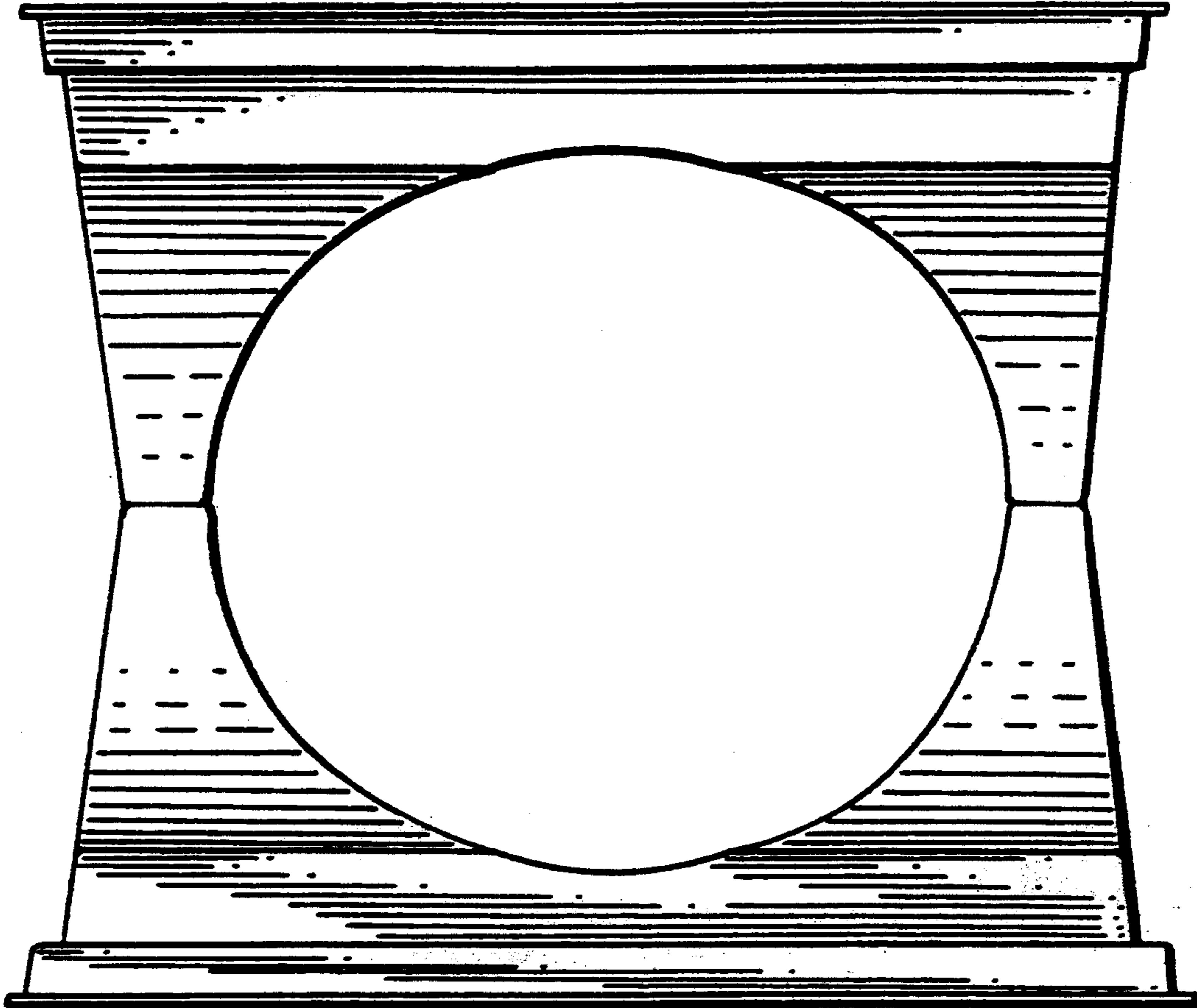


Fig. 4.

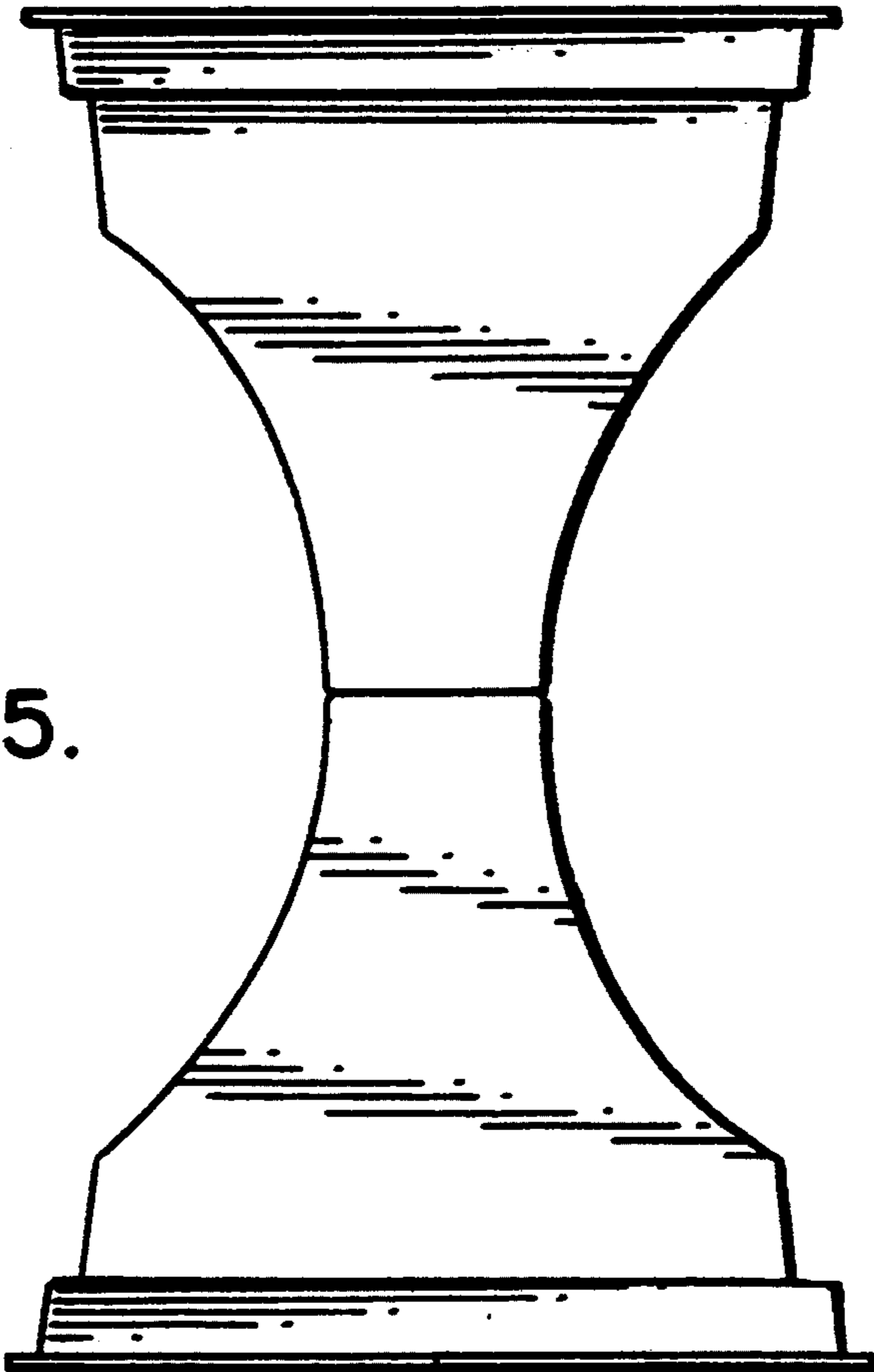


Fig. 5.