



US00D357175S

United States Patent [19]
Godfrey

[11] **Patent Number: Des. 357,175**

[45] **Date of Patent: ** Apr. 11, 1995**

[54] **CONNECTOR FOR DISPLAY STANDS**

4,493,425 1/1985 Yoshida 403/171
4,904,108 2/1990 Wendel 403/173

[76] **Inventor: H. Glenn Godfrey, 1005 Manchester Dr., Cary, N.C. 27511**

Primary Examiner—Bernard Ansher

Assistant Examiner—Philip Hyder

Attorney, Agent, or Firm—John G. Mills and Associates

[**] **Term: 14 Years**

[21] **Appl. No.: 14,064**

[57] **CLAIM**

The ornamental design for a connector for display stands, as shown and described.

[22] **Filed: Oct. 12, 1993**

[52] **U.S. Cl. D8/382**

[58] **Field of Search D8/382, 384; 403/230, 403/173, 405.1, 356, 167, 168, 205, 171; 52/285.2, 81, 712**

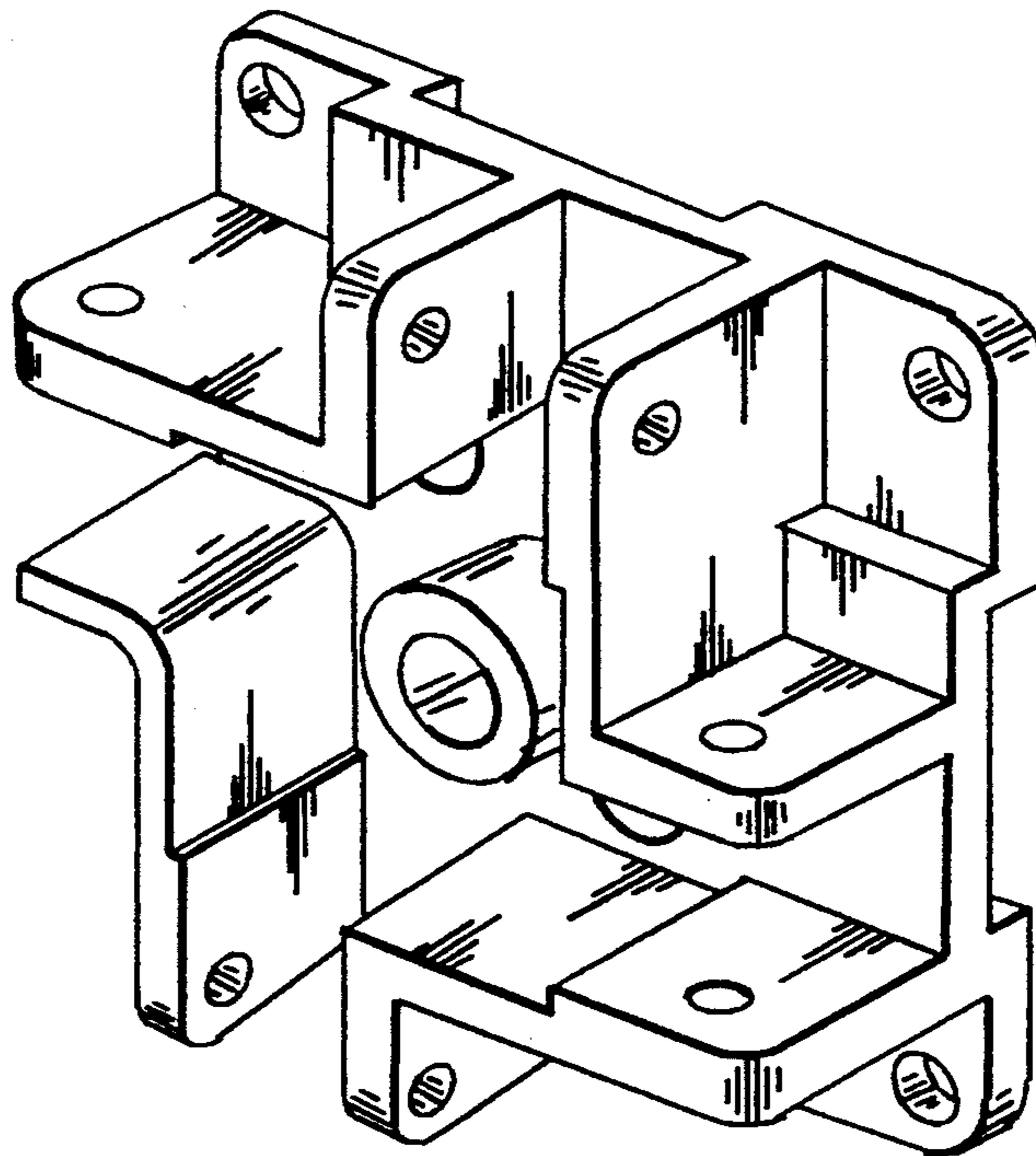
DESCRIPTION

FIG. 1 is a front perspective view of the connector for display stands showing my new design; FIG. 2 is a rear perspective view thereof; FIG. 3 is a top plan view, bottom plan view being a mirror image thereof; FIG. 4 is a right side elevational view, the left side elevational view being a mirror image thereof; FIG. 5 is a rear elevational view thereof; and, FIG. 6 is a front elevational view thereof.

[56] **References Cited**

U.S. PATENT DOCUMENTS

D. 297,303	8/1988	Finklestein	D8/382
3,715,136	2/1973	Yoshida	52/285.2
4,318,628	3/1982	Mancini	403/405.1
4,455,102	6/1984	Baroi et al.	52/285.2



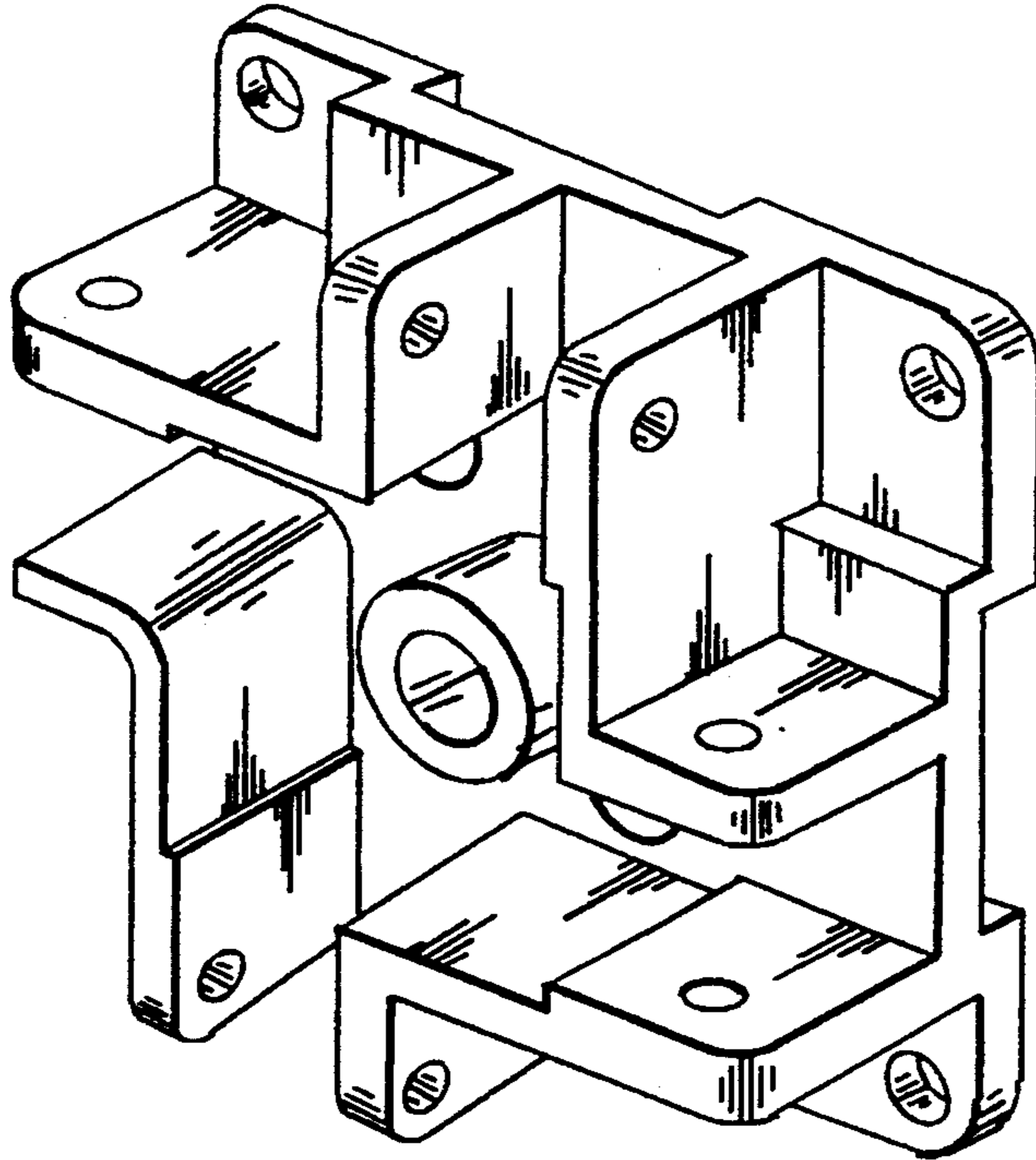


FIG. 1

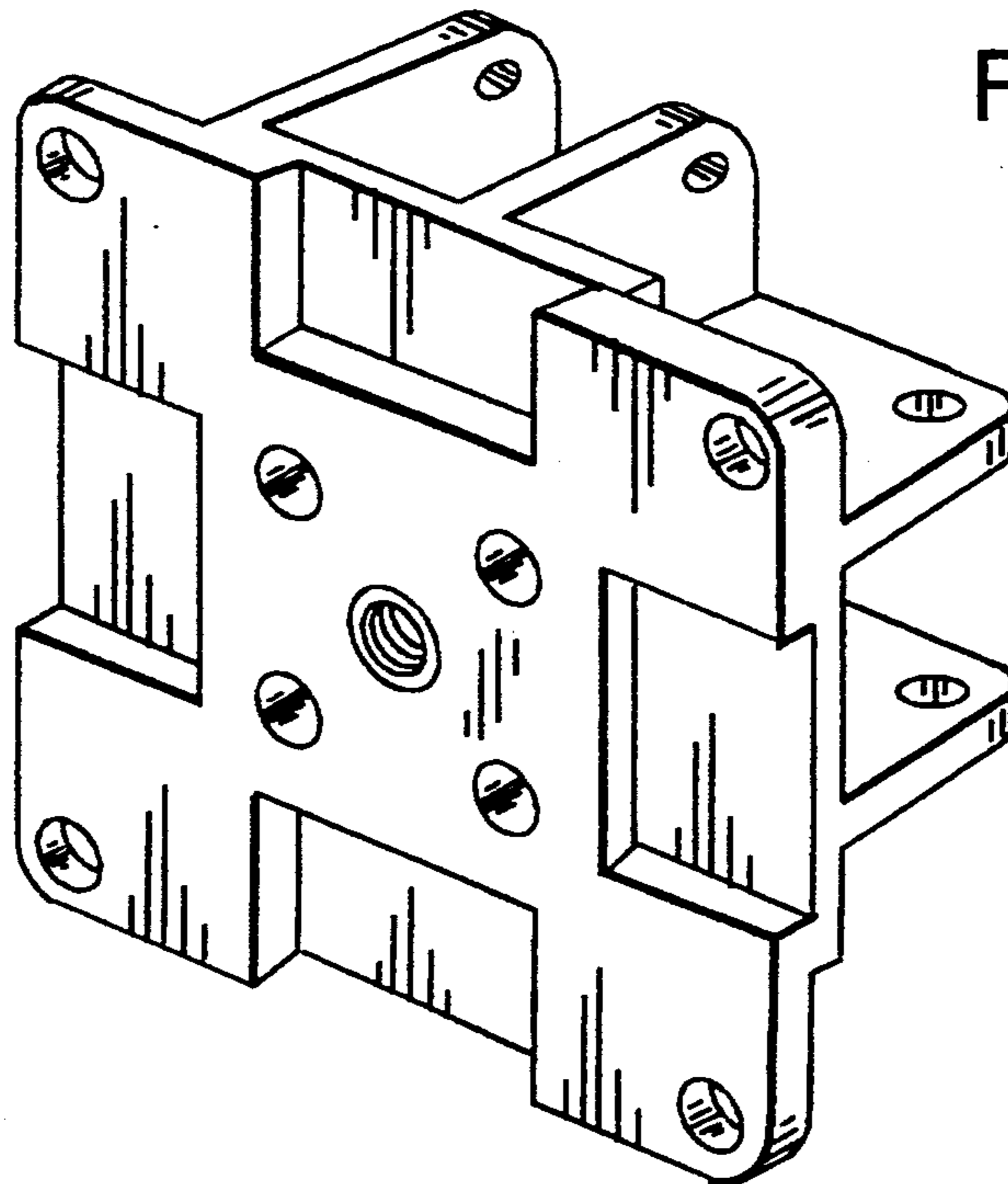


FIG. 2

FIG. 3

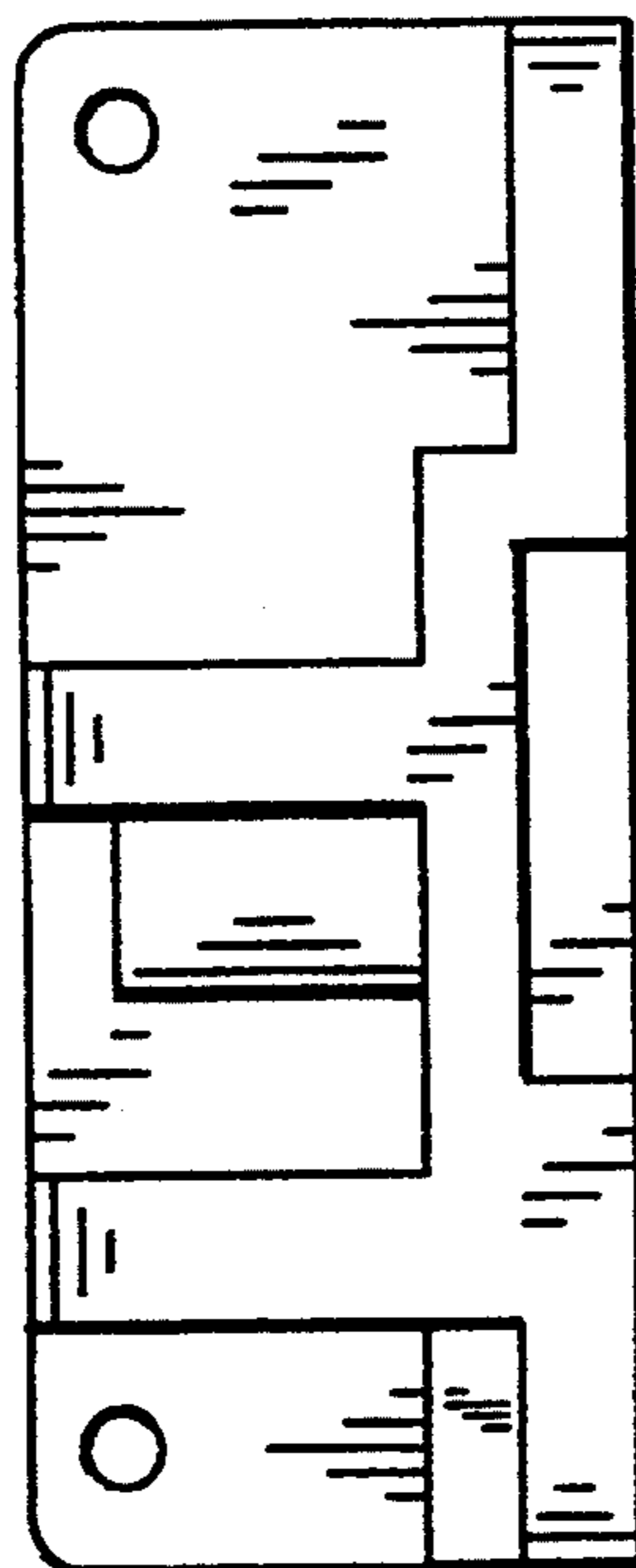
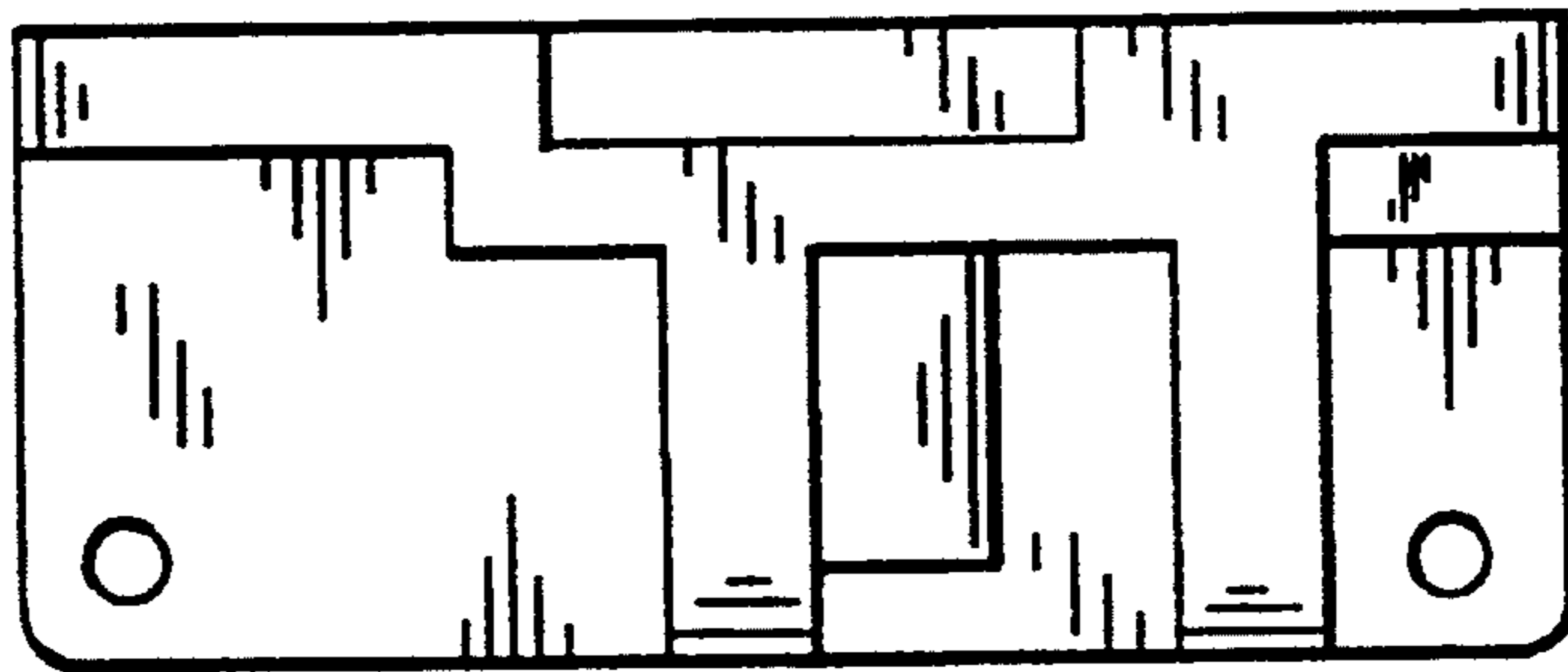


FIG. 4

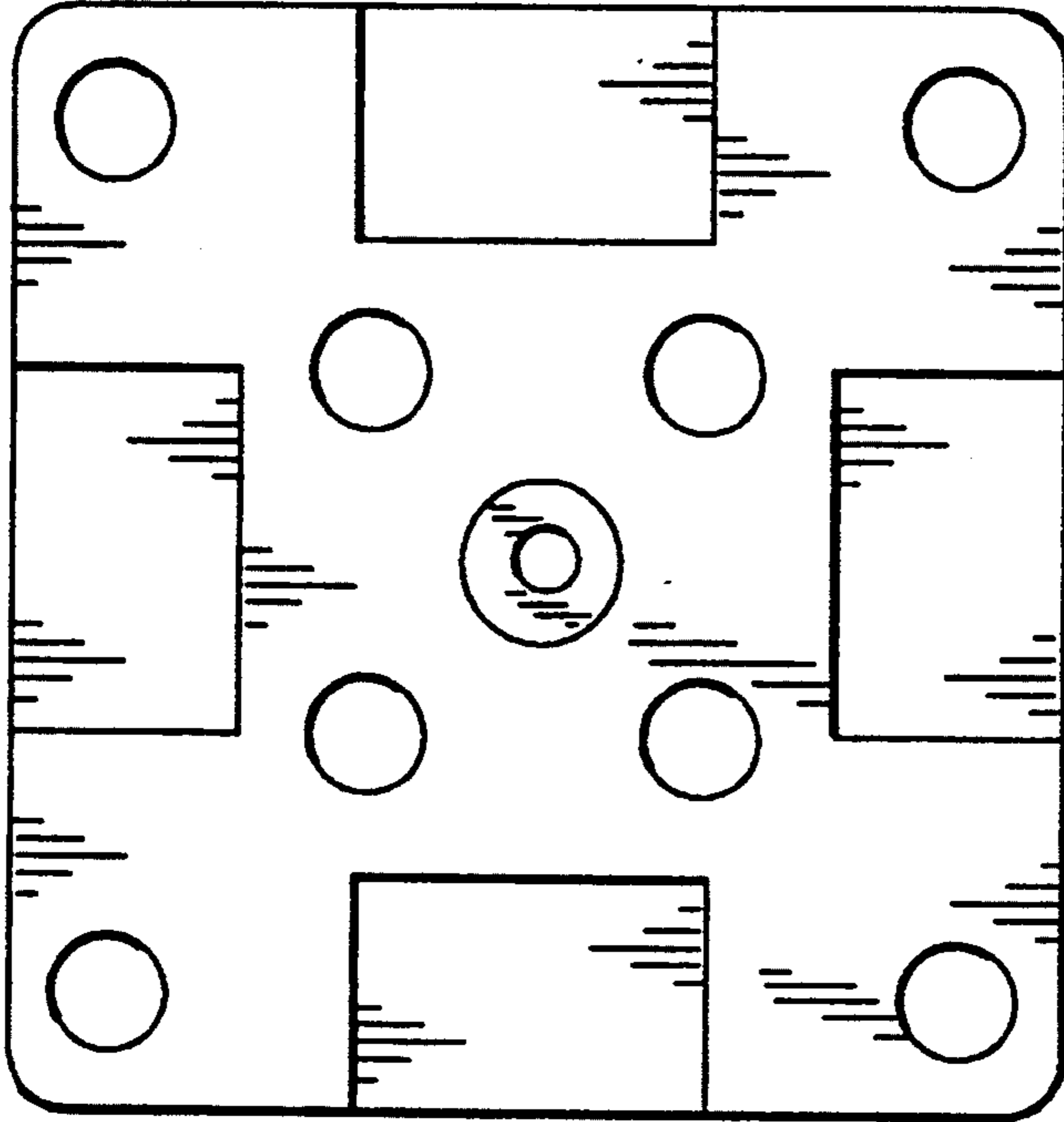


FIG. 5

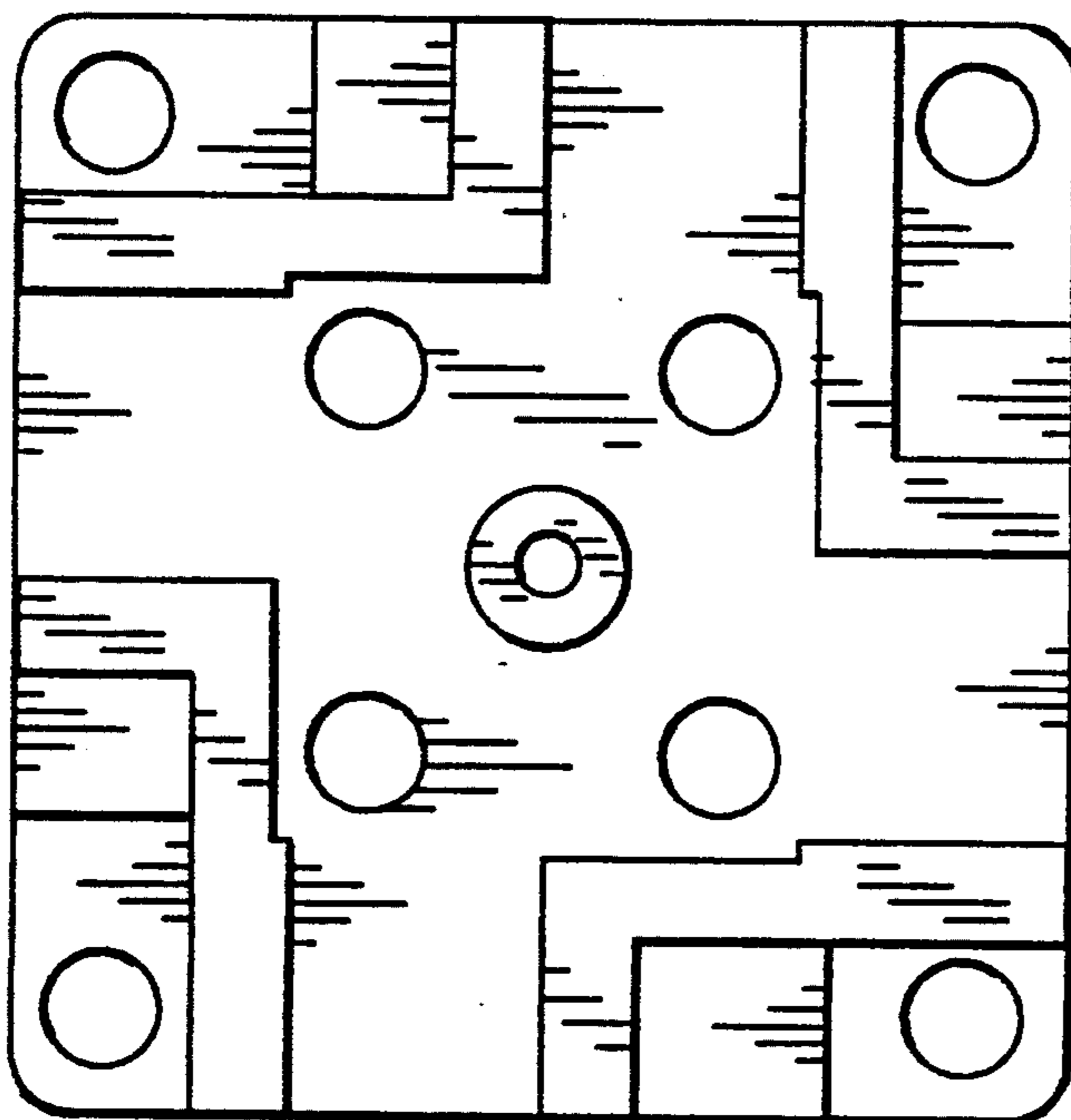


FIG. 6