



US00D357174S

United States Patent [19]

[11] Patent Number: **Des. 357,174**

Perlman et al.

[45] Date of Patent: **** Apr. 11, 1995**

[54] **HOLDER FOR PIPETTE AND FOCUSED BEAM FLASHLIGHT**

[75] Inventors: **Daniel Perlman, Arlington, Mass.;
Cliff Rohrabacher, Hampton, N.J.**

[73] Assignee: **Brandeis University, Waltham, Mass.**

[**] Term: **14 Years**

[21] Appl. No.: **18,302**

[22] Filed: **Feb. 2, 1994**

[52] U.S. Cl. **D8/373**

[58] Field of Search **D8/349, 354, 373, 394-396,
D8/363; 248/74.1-, 68.1, 62-63, 288.3, 51, 230**

[56] **References Cited**

U.S. PATENT DOCUMENTS

3,162,409	12/1964	Straayer et al.	248/230 X
3,173,987	3/1965	Potruch	248/62 X
3,289,982	12/1966	Hart, Jr.	248/230 X
3,432,129	3/1969	Santucci	248/74.3 X
4,461,439	7/1984	Rose	248/288.3 X
5,037,052	8/1991	Crisp et al.	248/288.3 X

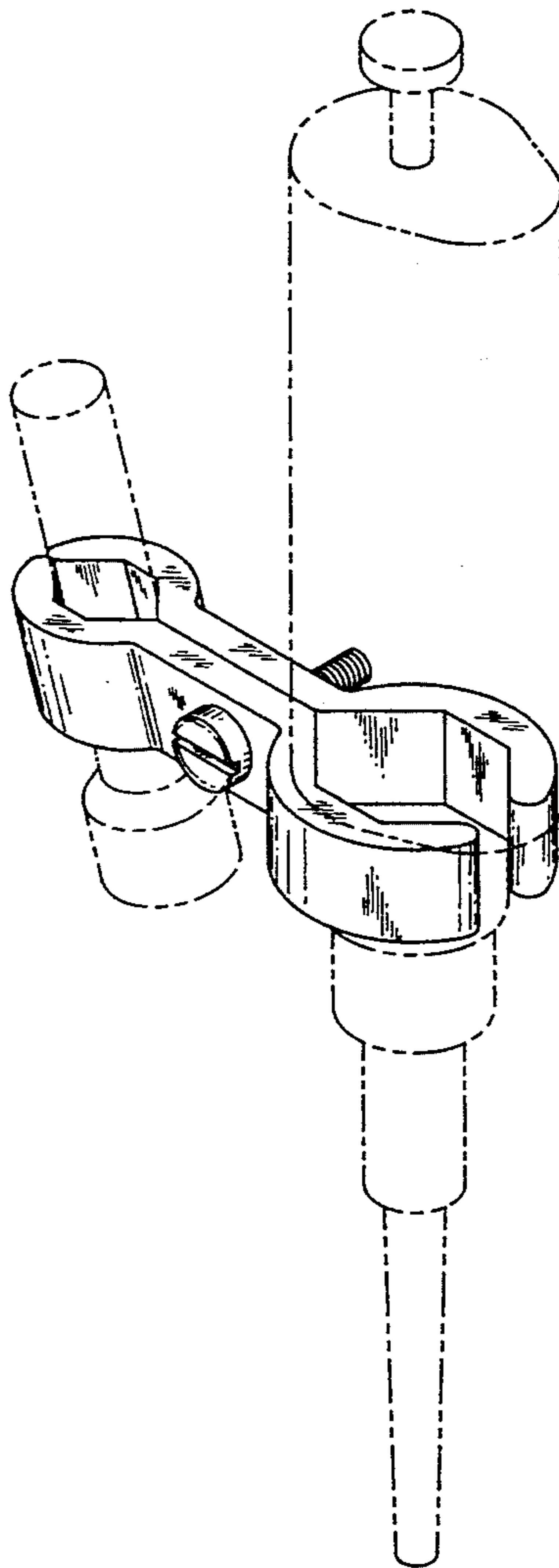
Primary Examiner—James M. Gandy
Assistant Examiner—Holly Baynham
Attorney, Agent, or Firm—Anthony F. Cuoco

[57] **CLAIM**

The ornamental design for a holder for pipette and focused beam flashlight, as shown and described.

DESCRIPTION

FIG. 1 is a perspective view of a holder for pipette and focusing beam flashlight showing my new design;
FIG. 2 is a front elevational view thereof;
FIG. 3 is a top plan view thereof;
FIG. 4 is a rear elevational view thereof;
FIG. 5 is a left end elevational view thereof;
FIG. 6 is a right end elevational view thereof;
FIG. 7 is a bottom plan view thereof;
FIG. 8 is a sectional view taken along lines 8—8 in FIG. 3; and,
FIG. 9 is a perspective view thereof with the broken line showing a pipette and focusing beam flashlight being for illustrative purposes only and forming no part of the claimed design.



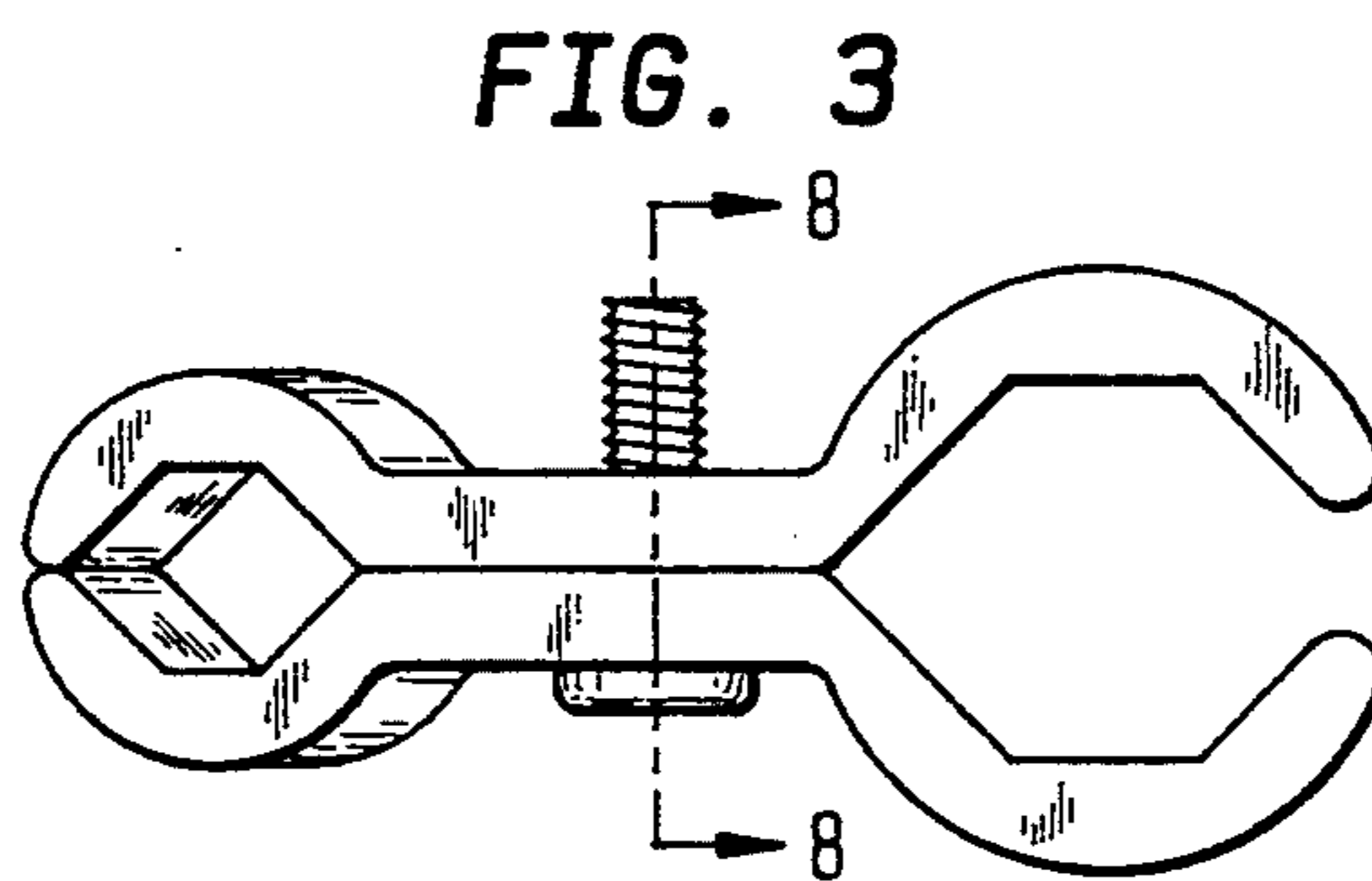
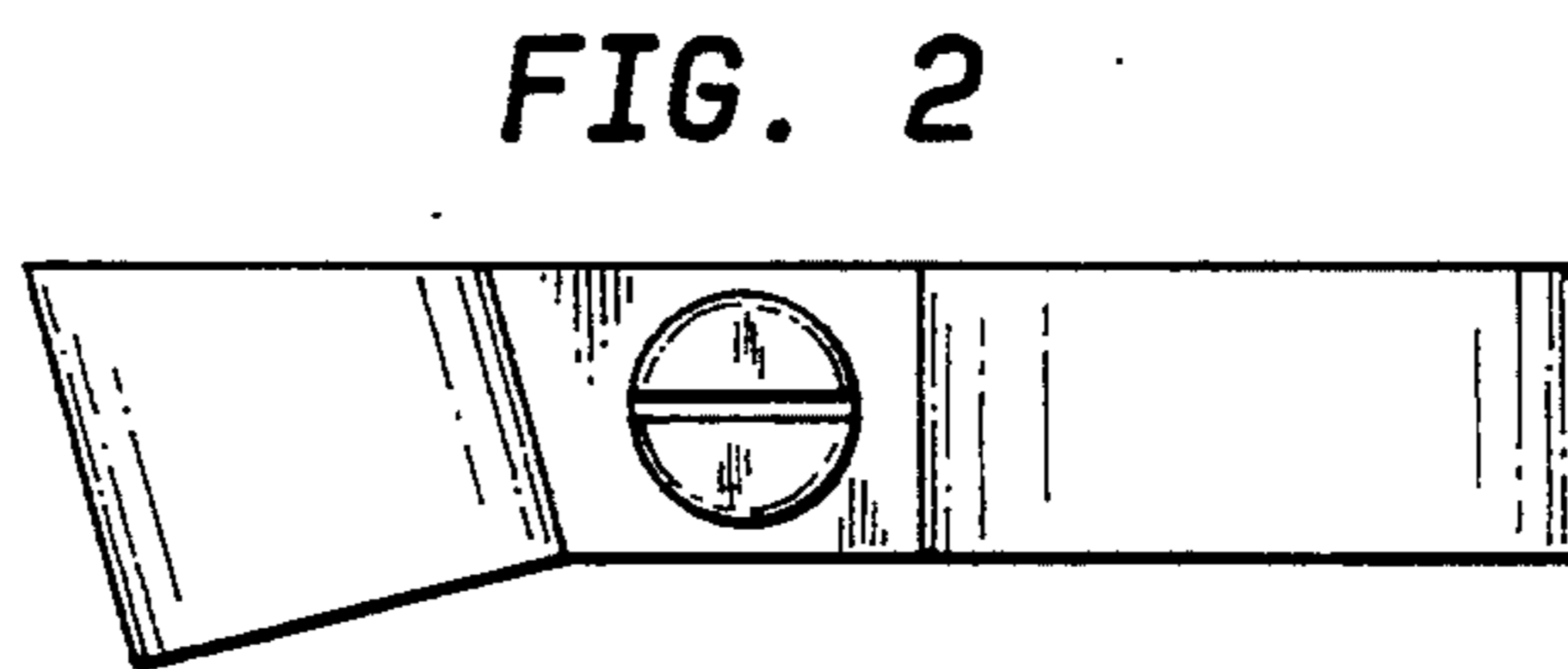
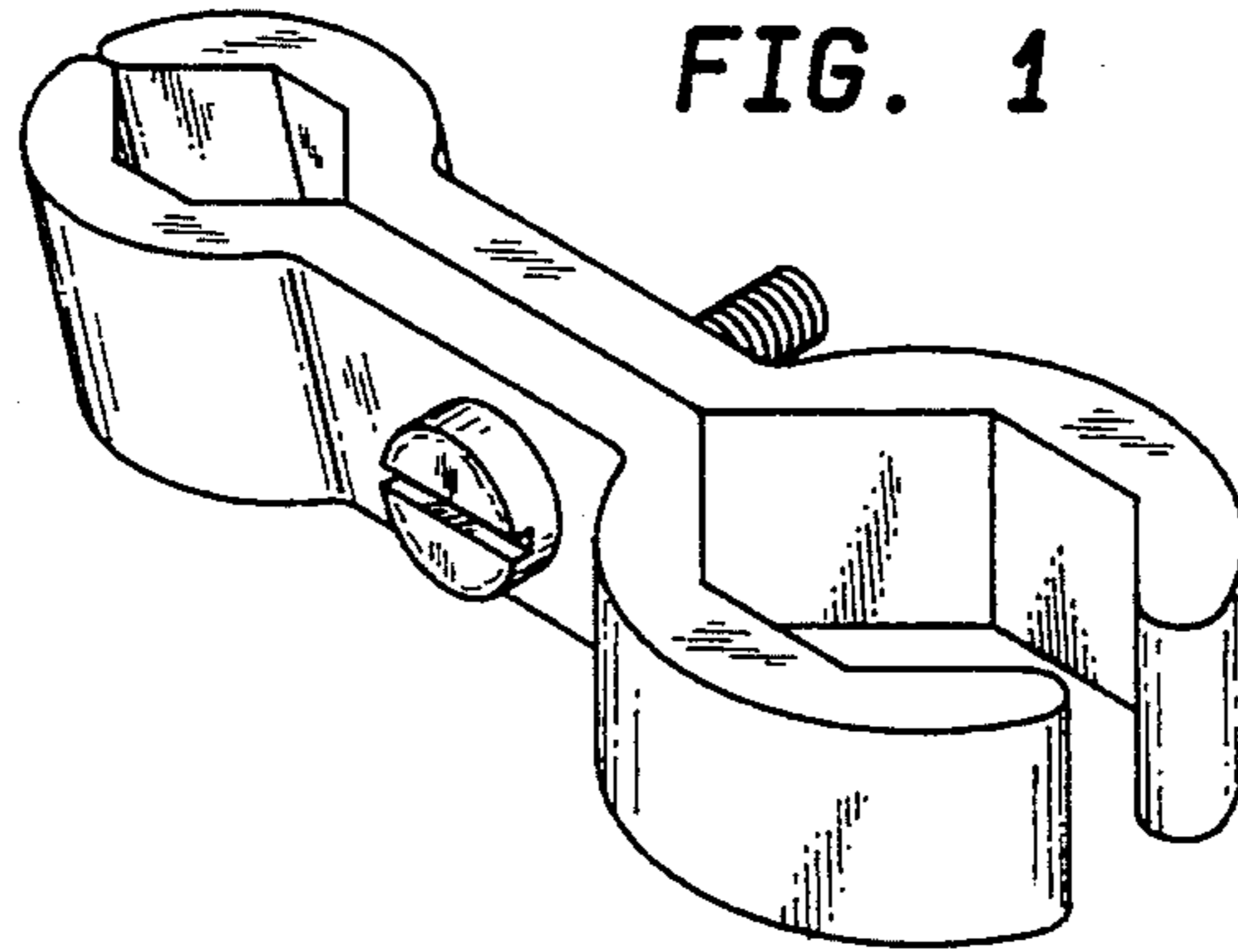


FIG. 5

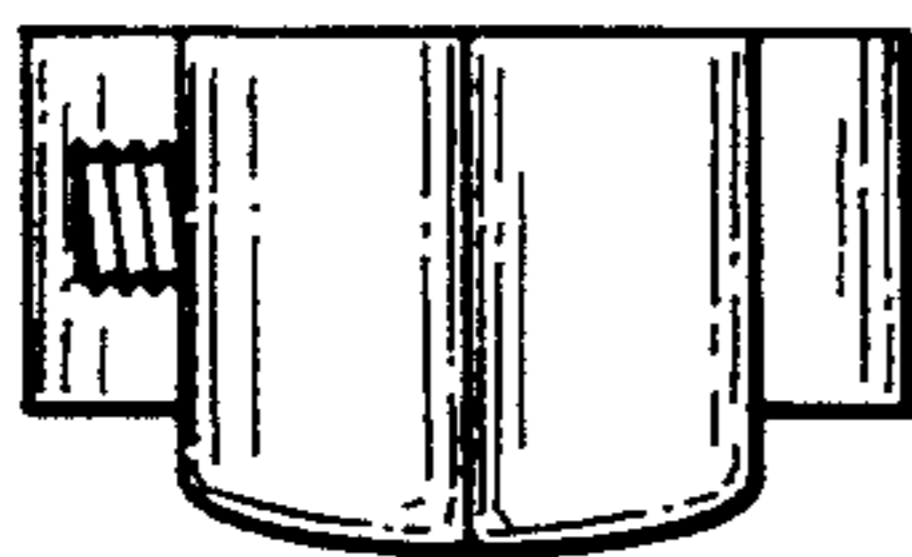


FIG. 4

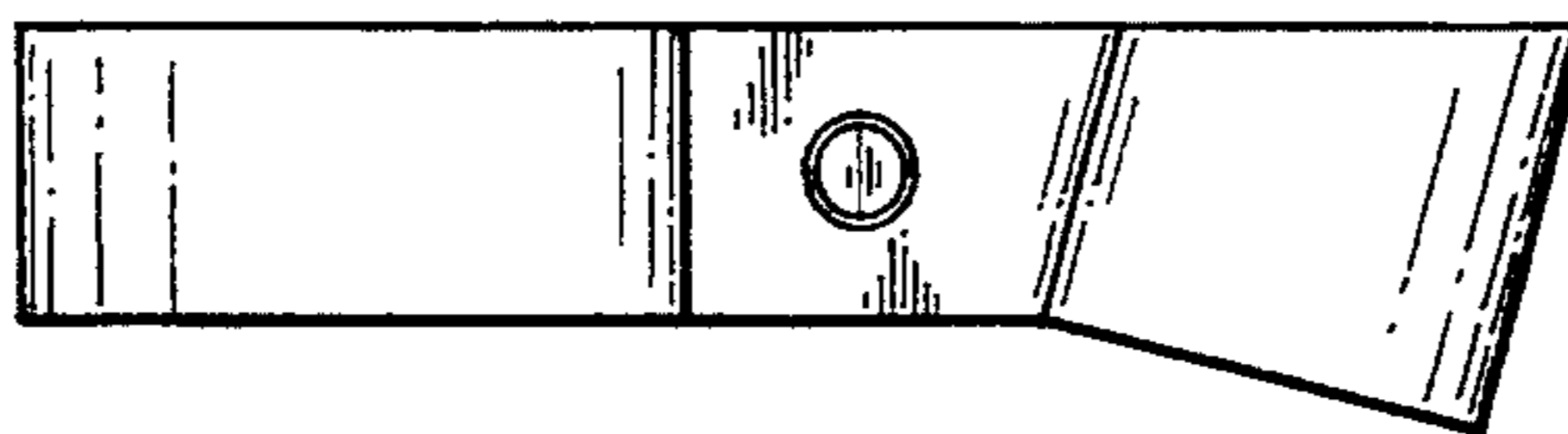


FIG. 6

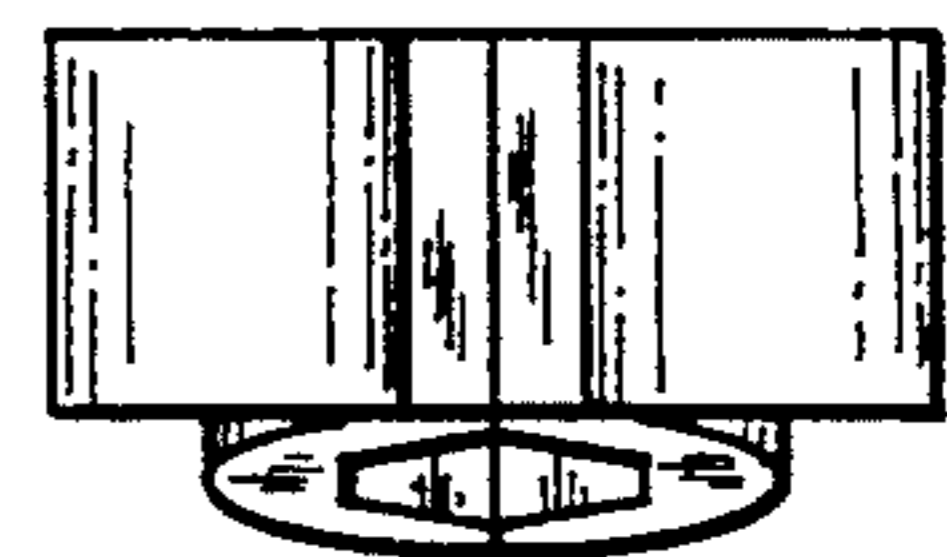


FIG. 8



FIG. 7

