



US00D357170S

United States Patent [19]

[11] Patent Number: **Des. 357,170**

Wellsfry

[45] Date of Patent: **** Apr. 11, 1995**

[54] **DOUBLE-SIDED SUCTION CUP FOR DINNERWARE**

[76] Inventor: **Andrea B. Wellsfry**, 1 Peachtree Ct., Wichita Falls, Tex. 76308

[**] Term: **14 Years**

[21] Appl. No.: **3,863**

[22] Filed: **Jan. 19, 1993**

[52] U.S. Cl. **D8/349**

[58] Field of Search **D8/349; 248/205.8, 205.5, 248/206.1-206.5, 309.3, 362; 294/64.1**

3,101,567	8/1963	Stiller .	
3,310,267	3/1967	Koehler	248/205.5 X
3,879,005	4/1975	Flick	248/205.8
4,196,882	4/1980	Rognon	248/206 R
5,087,005	2/1992	Holoff et al.	248/205.8

FOREIGN PATENT DOCUMENTS

950602	3/1949	France	248/206.3
1144113	10/1957	France .	
1044398	9/1966	United Kingdom	248/205.5

Primary Examiner—Susan J. Lucas
Assistant Examiner—H. Baynham
Attorney, Agent, or Firm—Timmona & Kelly; H. Dennis Kelly

[56] **References Cited**

U.S. PATENT DOCUMENTS

154,089	6/1949	Zitenfield et al.	248/205.5 X
720,972	2/1903	Schaeffer	248/205.5 X
1,228,649	6/1917	Childs	248/205.5 X
1,232,120	3/1917	Sutter, Jr.	248/205.5 X
1,477,331	12/1923	Ely	248/362
1,904,779	4/1933	Burr	248/205.5 X
1,932,109	10/1933	Judson	248/41
2,108,863	2/1938	Kieft	65/15
2,194,997	3/1940	Butler	248/206.1 X
2,385,977	10/1945	Farmer	248/206
2,910,264	10/1959	Lindenberger	248/206.2 X
3,071,886	1/1963	Stiller .	

[57] **CLAIM**

The ornamental design for a double-sided suction cup for dinnerware, as shown and described.

DESCRIPTION

FIG. 1 is a perspective view of a double-sided suction cup for dinnerware showing my new design; FIG. 2 is a front elevation thereof; FIG. 3 is a rear elevation thereof; FIG. 4 is a side elevation, the opposite side being a mirror image thereof; FIG. 5 is a top plan view thereof; and, FIG. 6 is a bottom plan view thereof.

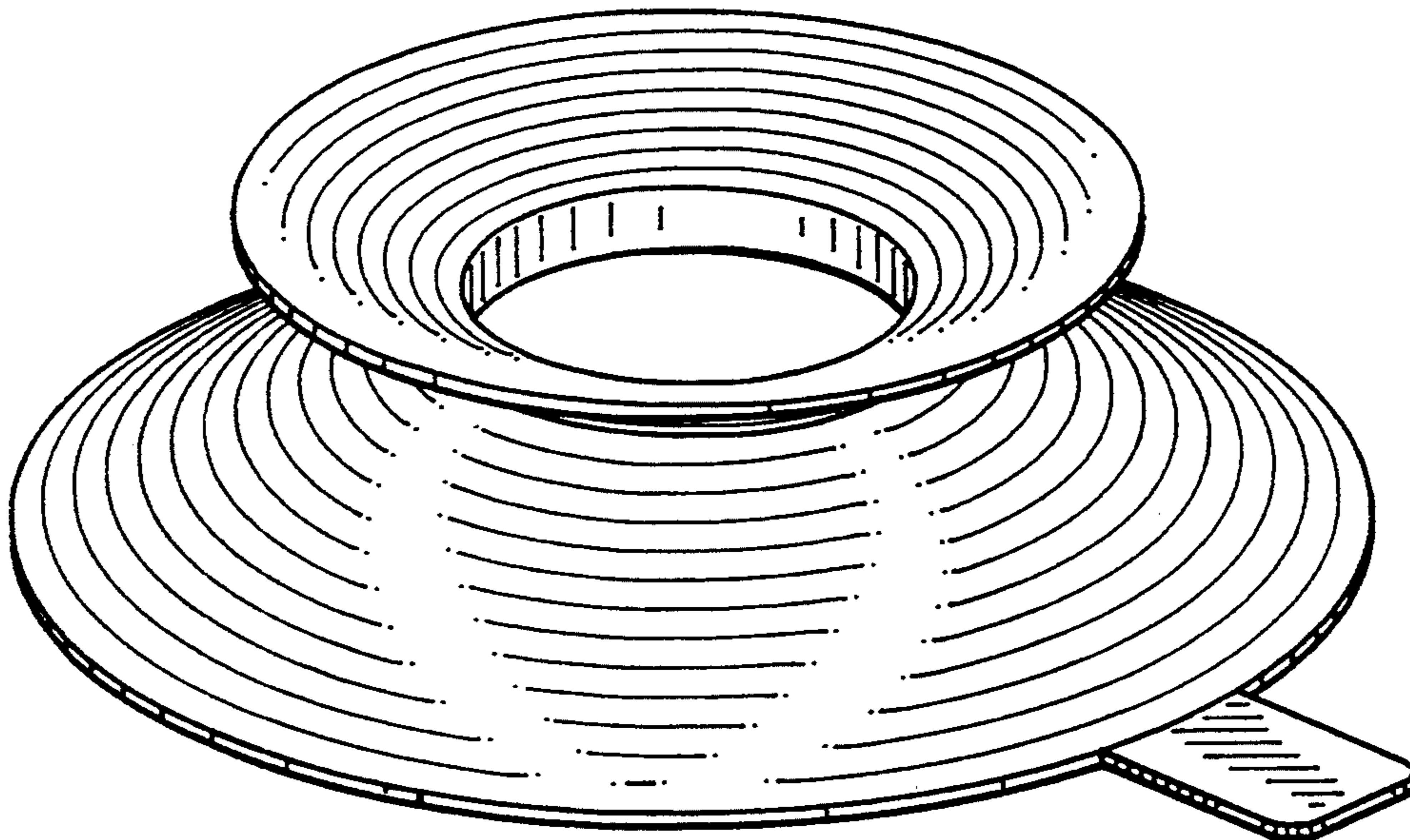


Fig. 1

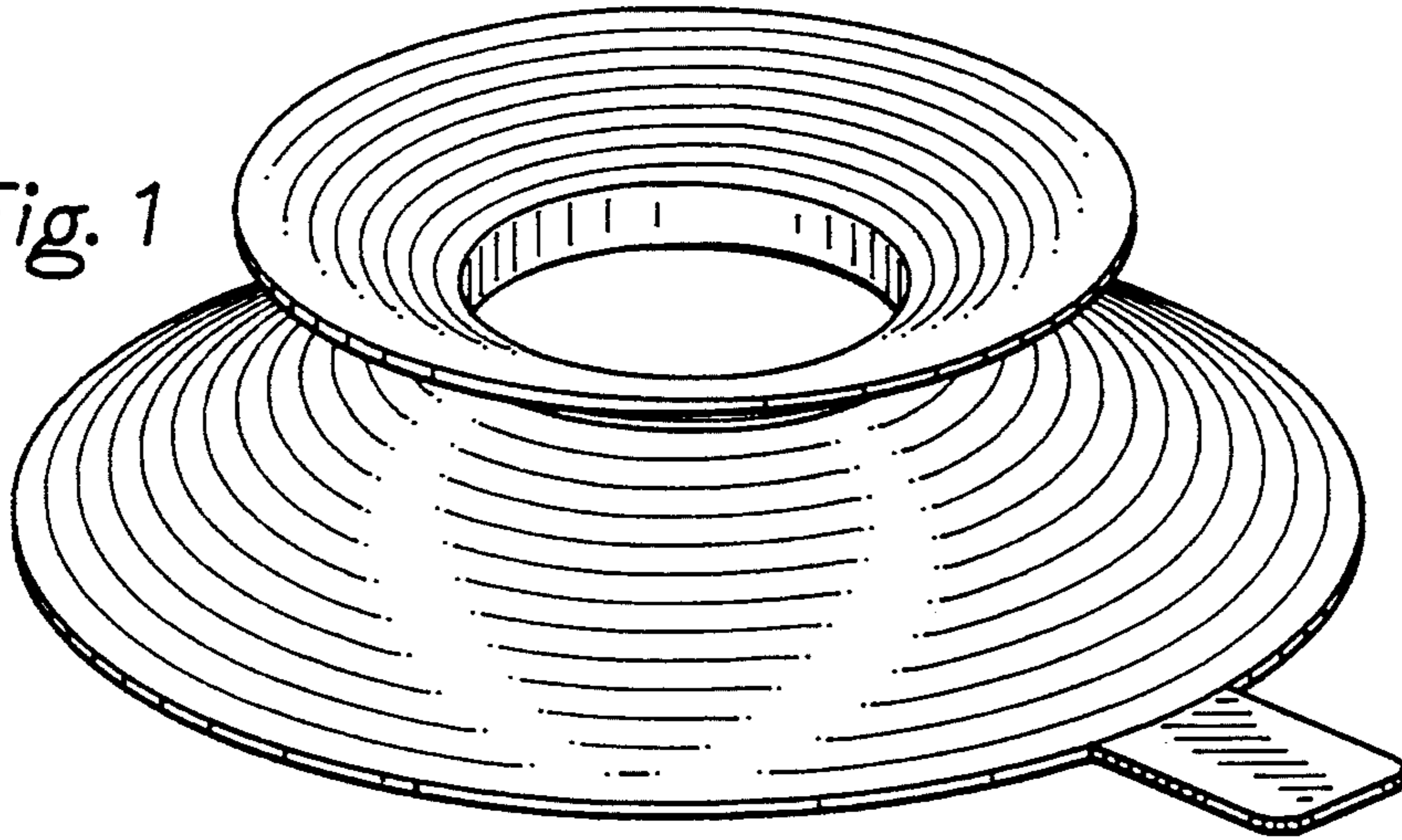


Fig. 2

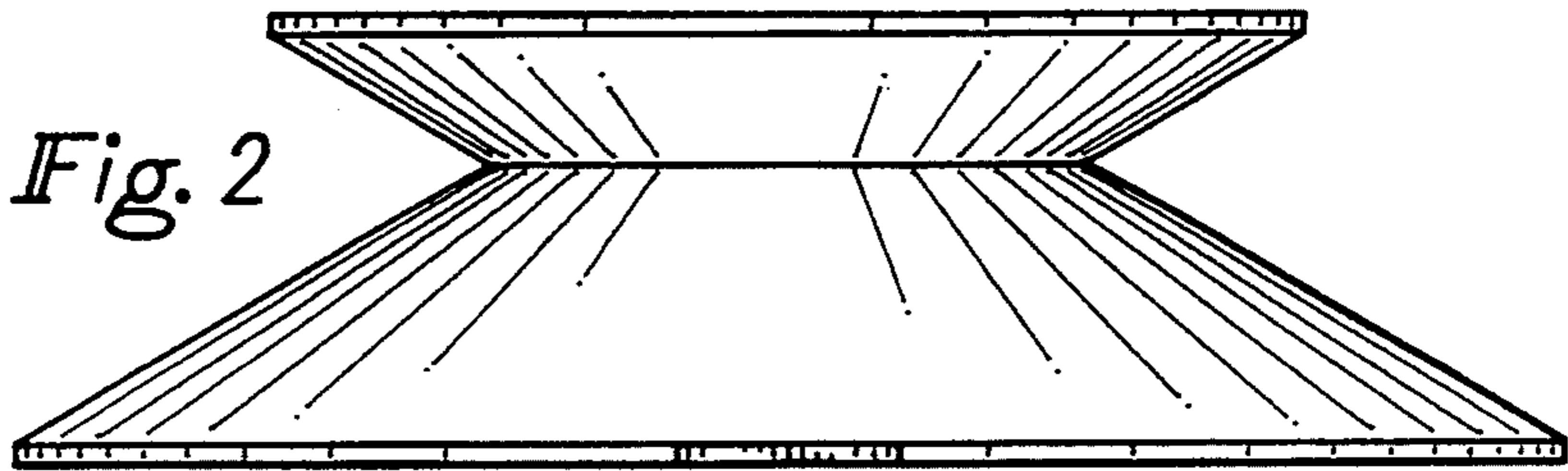


Fig. 3

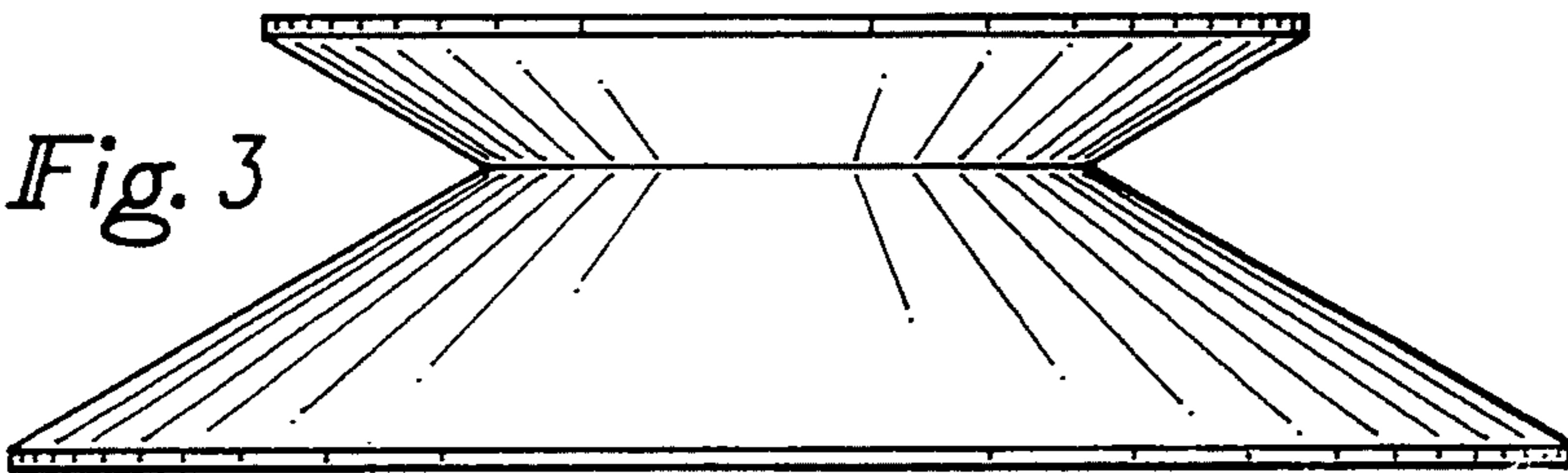
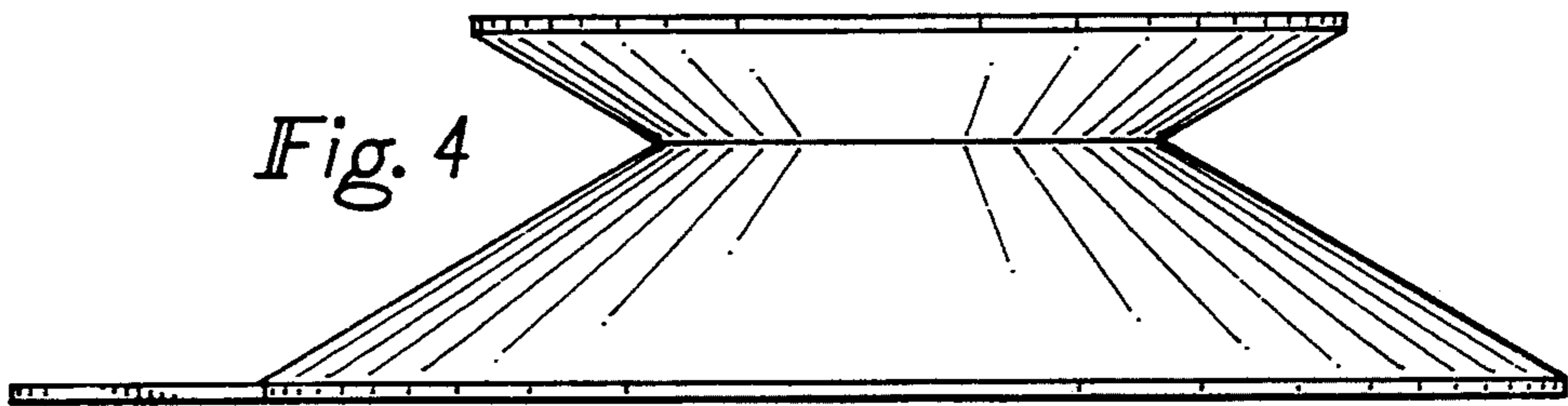


Fig. 4



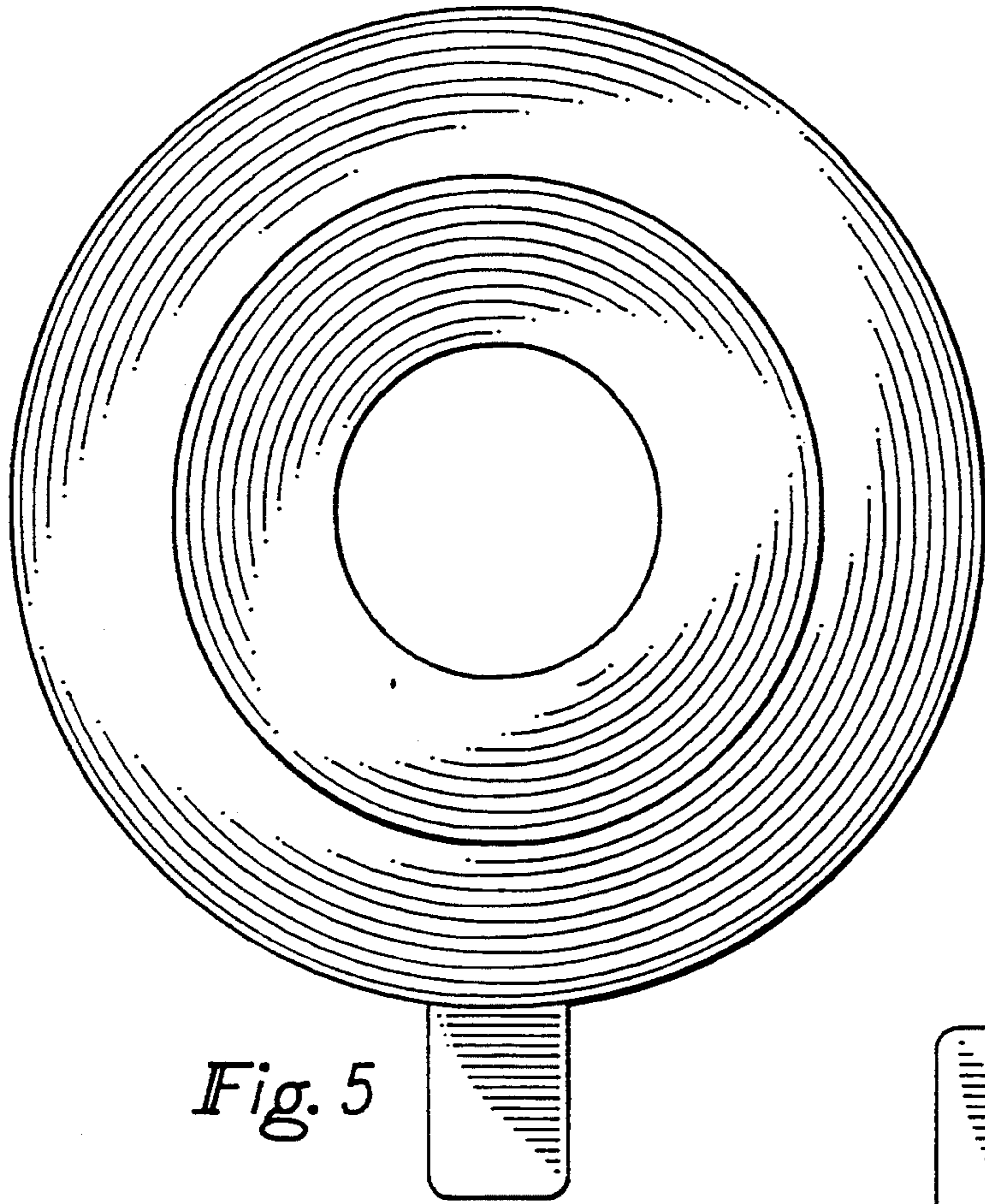


Fig. 5

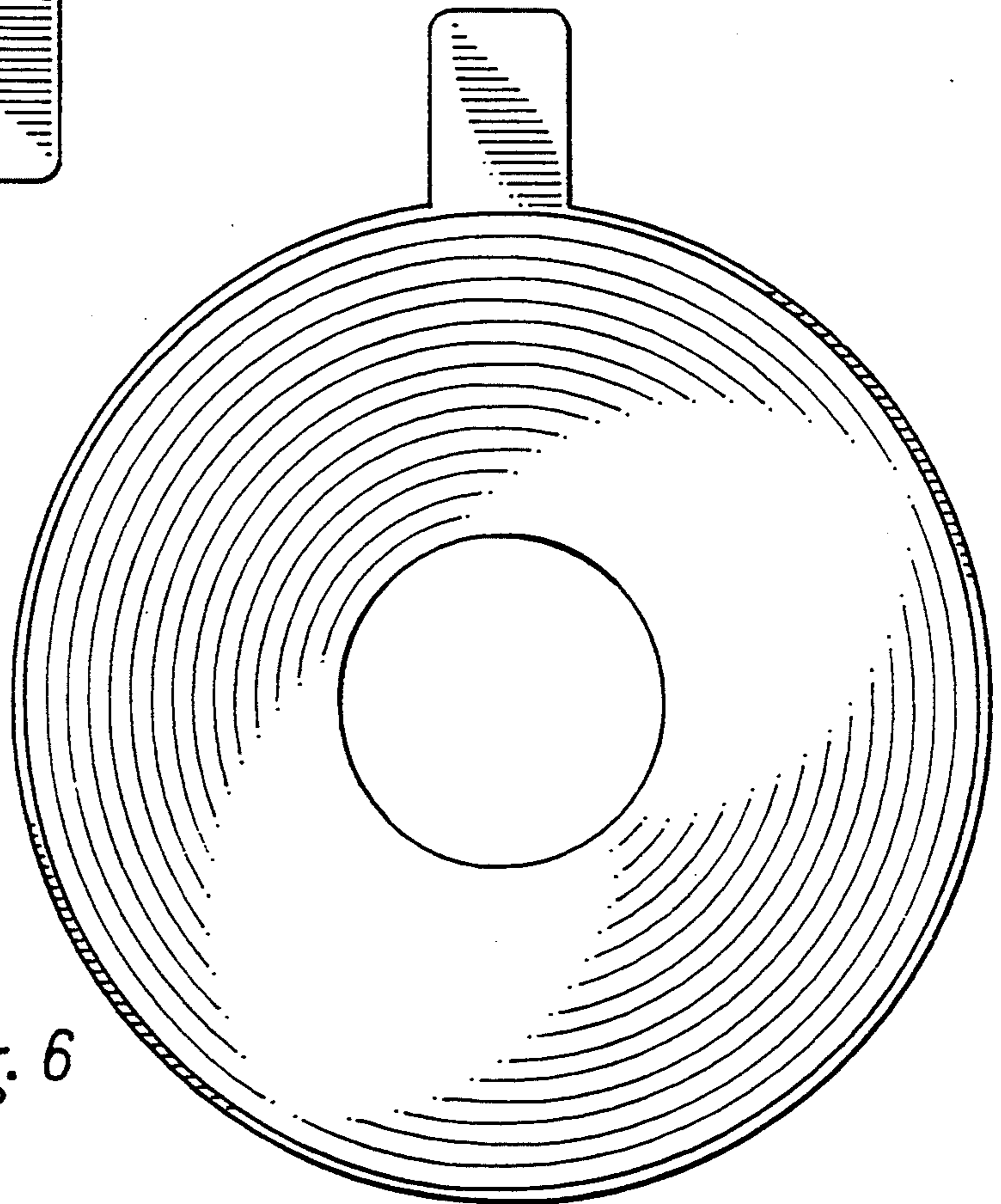


Fig. 6