



US00D357168S

United States Patent [19]

[11] Patent Number: **Des. 357,168**

Chieda

[45] Date of Patent: **** Apr. 11, 1995**

[54] PULL

[75] Inventor: **Robert Chieda, Wheaton, Ill.**

[73] Assignee: **Amerock Corporaton, Rockford, Ill.**

[**] Term: **14 Years**

[21] Appl. No.: **11,352**

[22] Filed: **Aug. 3, 1993**

[52] U.S. Cl. **D8/315; D8/319**

[58] Field of Search **D8/305, 315-320;
16/110 R, 111 R, 124**

[56] **References Cited**

U.S. PATENT DOCUMENTS

D. 189,236	11/1960	Kjellgren	D8/319
D. 189,526	1/1961	Clayton	D8/318
D. 196,036	8/1963	Louis	D8/319
D. 199,965	1/1965	Loeb	D8/319
D. 326,991	6/1992	Bishop	D8/317

OTHER PUBLICATIONS

Item F on p. 11 of a catalog published by Alno, Inc. (publication date unknown).
Belwith International, Ltd; Cat. 278; © 1978; p. 6; pull 235.

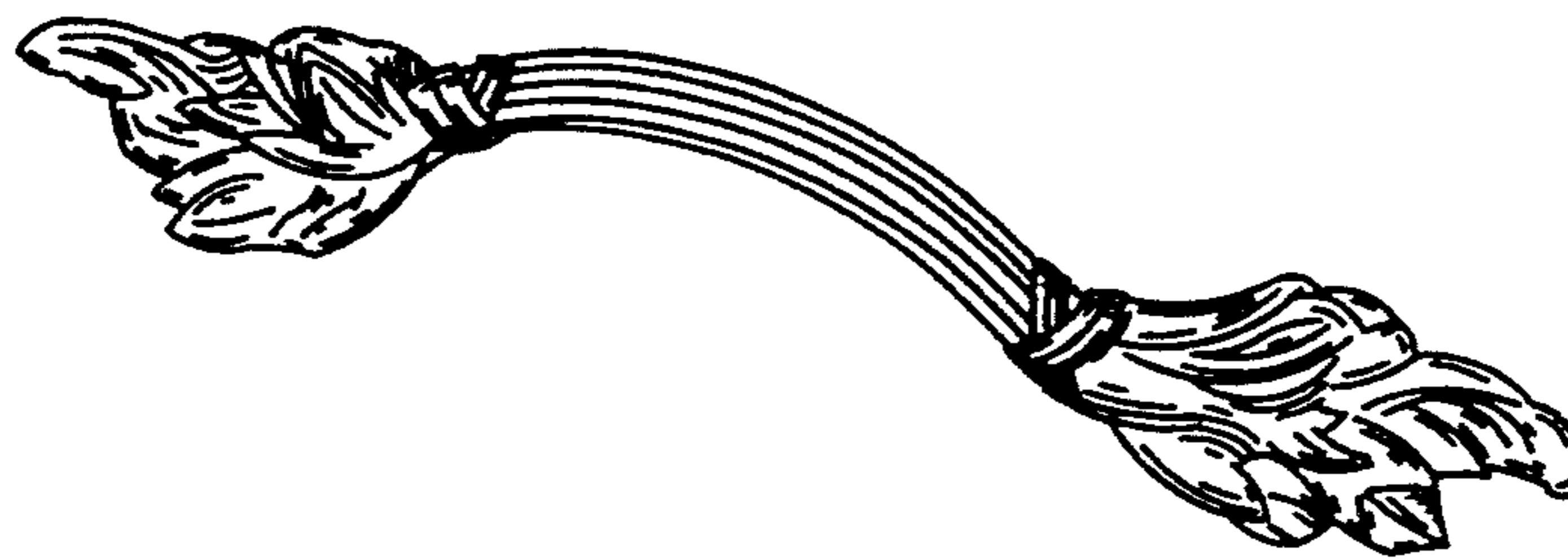
Primary Examiner—B. J. Bullock
Attorney, Agent, or Firm—Leydig, Voit & Mayer, Ltd.

[57] **CLAIM**

The ornamental design for a pull, as shown and described.

DESCRIPTION

FIG. 1 is a perspective view of a pull showing my new design;
FIG. 2 is an enlarged front view thereof;
FIG. 3 is an enlarged bottom view thereof;
FIG. 4 is an enlarged rear view thereof;
FIG. 5 is an enlarged top view thereof;
FIG. 6 is an enlarged left end view thereof, the right end being substantially a mirror image; and,
FIG. 7 is an enlarged sectional view taken in the direction of the arrows on line 7—7 of FIG. 3.



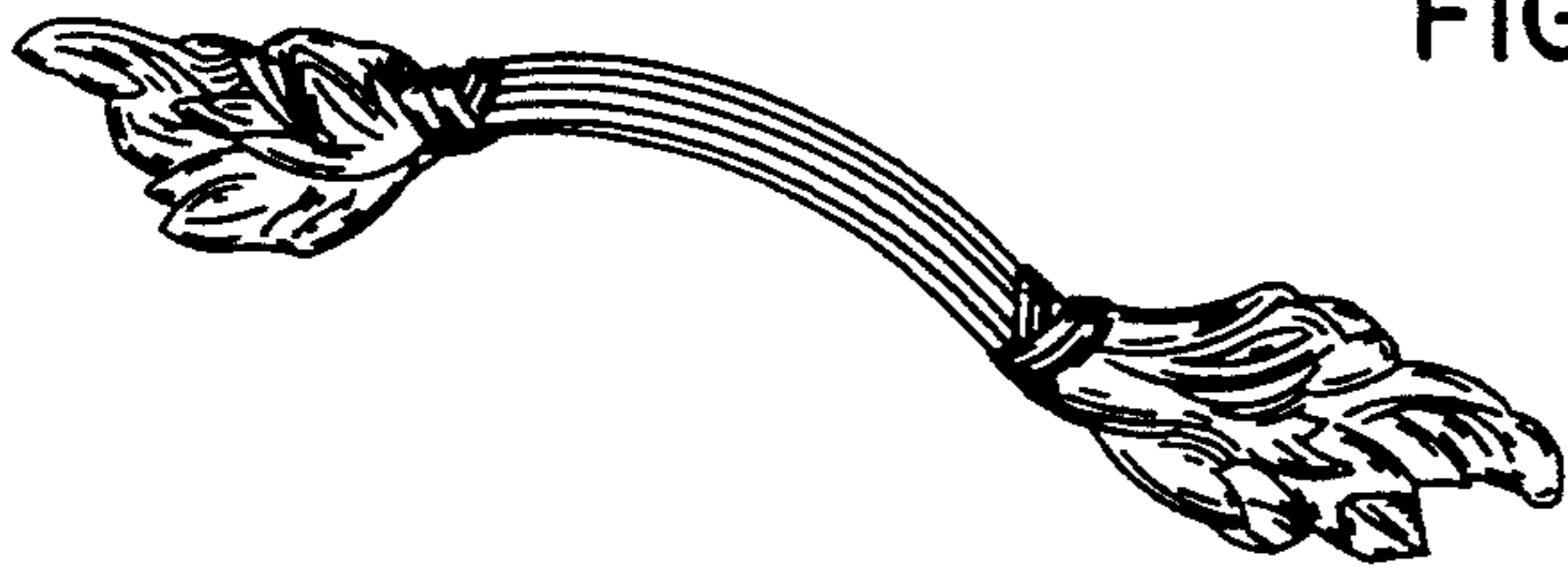


FIG. 1

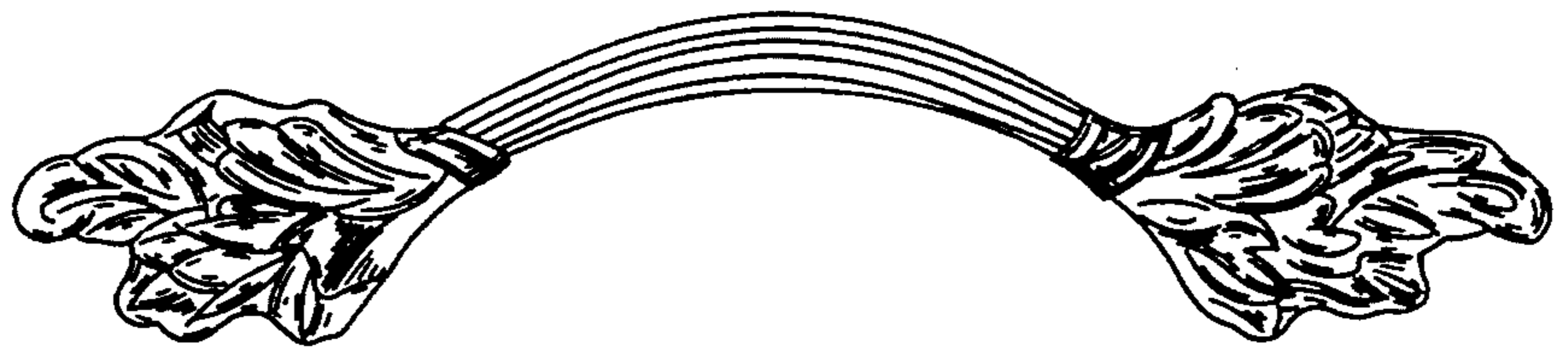


FIG. 2



FIG. 6

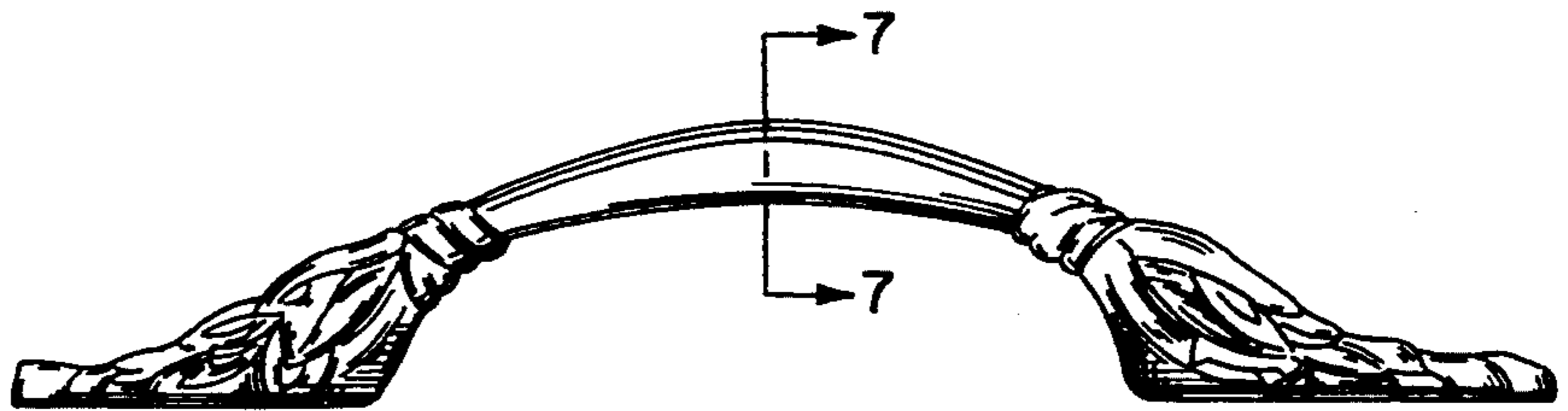


FIG. 3



FIG. 4



FIG. 7



FIG. 5