



US00D357164S

United States Patent [19]

[11] Patent Number: **Des. 357,164**

Izumisawa

[45] Date of Patent: **** Apr. 11, 1995**

[54] HEAVY DUTY BELT SANDER

[75] Inventor: **Nobuyuki Izumisawa**, Tokyo, Japan

[73] Assignee: **Shinano, Inc.**, Saitama, Japan

[**] Term: **14 Years**

[21] Appl. No.: **16,790**

[22] Filed: **Dec. 27, 1993**

[52] U.S. Cl. **D8/62**

[58] Field of Search **D8/61, 62; 81/57.11, 81/57; 51/170 EB, 170 T, 170 PL, 170 MT**

[56] References Cited

U.S. PATENT DOCUMENTS

D. 298,508	11/1988	Fukuda et al.	D8/62
D. 301,966	7/1989	Currie	D8/62
D. 321,464	11/1991	Mikiya	D8/62
D. 321,465	11/1991	Mikiya	D8/62
D. 338,382	8/1993	Fukuda	D8/62

OTHER PUBLICATIONS

Chicago Pneumatic Tools sales brochure, Mar., 1990, p. 30.

Mac Tools catalog, pp. 174, 176, 177.

Sunex International brochure, 1990-1991, p. 21 Dec. 26, 1993.

Primary Examiner—Alan P. Douglas

Assistant Examiner—Jeffry H. Musgrove

Attorney, Agent, or Firm—Greer, Burns & Crain, Ltd.

[57] CLAIM

The ornamental design for a heavy duty belt sander, as shown and described.

DESCRIPTION

FIG. 1 is perspective view of the heavy duty belt sander showing my new design.

FIG. 2 is a left side view thereof;

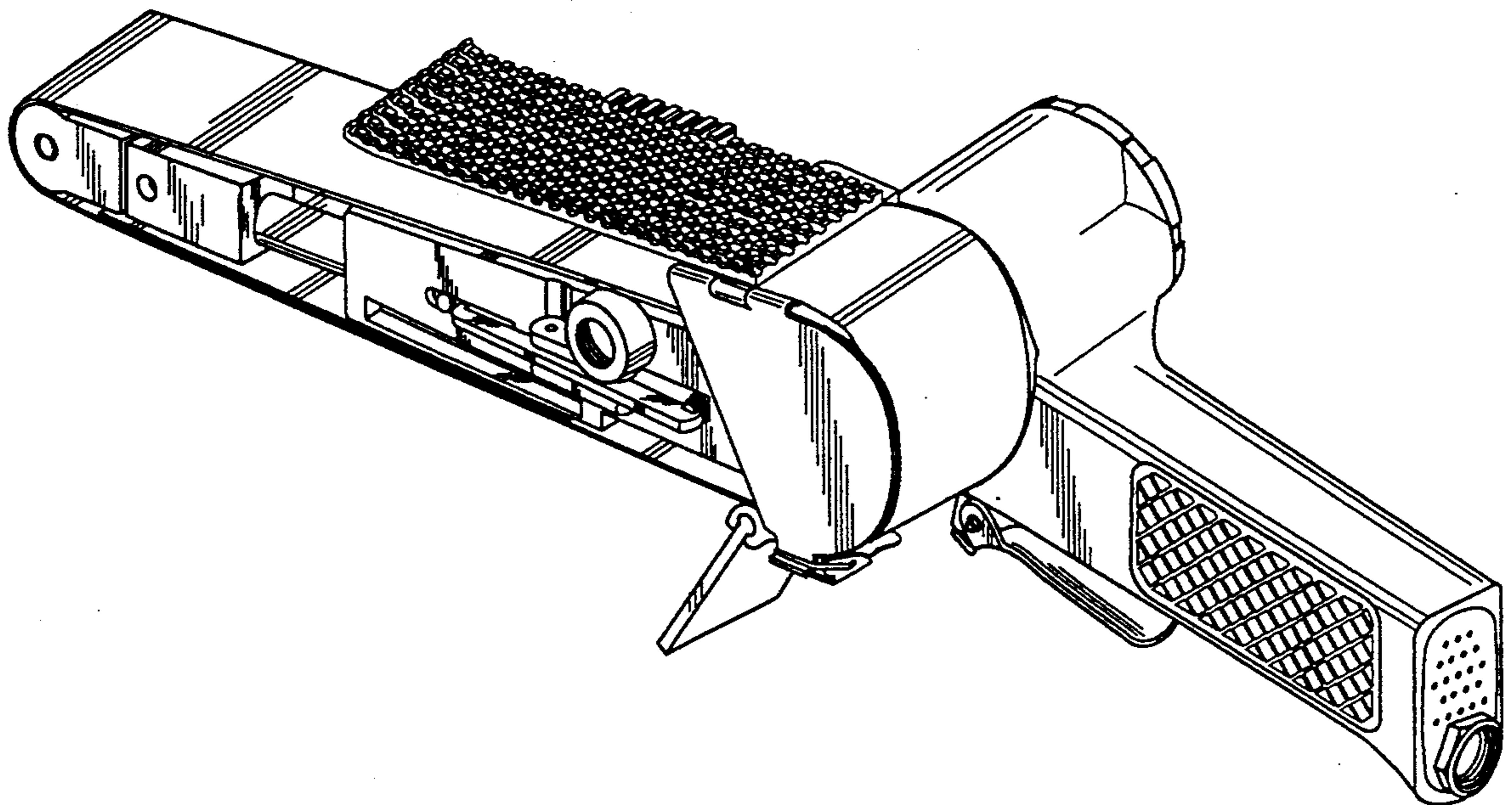
FIG. 3 is a right side view thereof;

FIG. 4 is a top view thereof;

FIG. 5 is a bottom view thereof;

FIG. 6 is a front view thereof; and,

FIG. 7 is a rear view thereof.



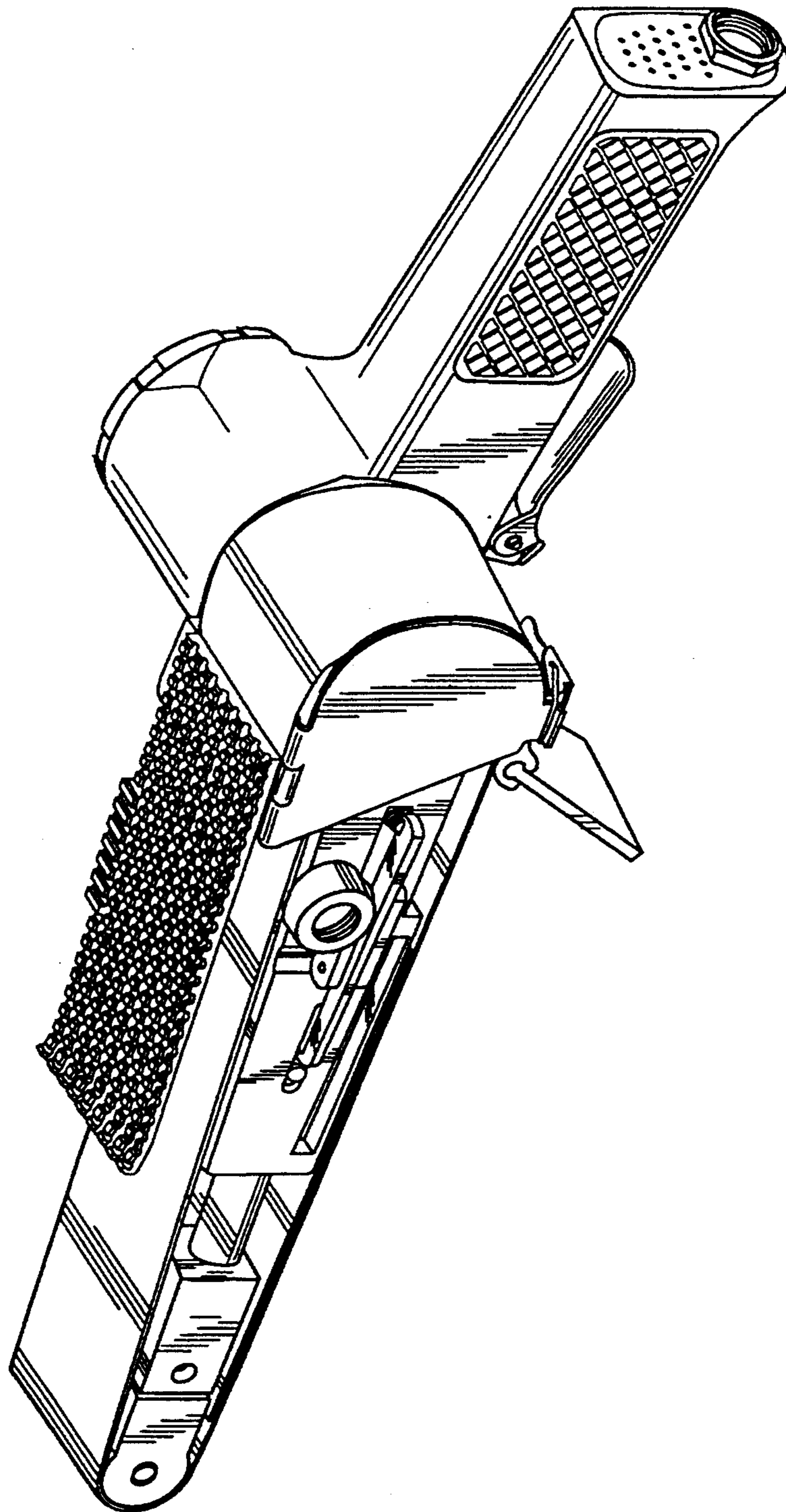


FIG 1

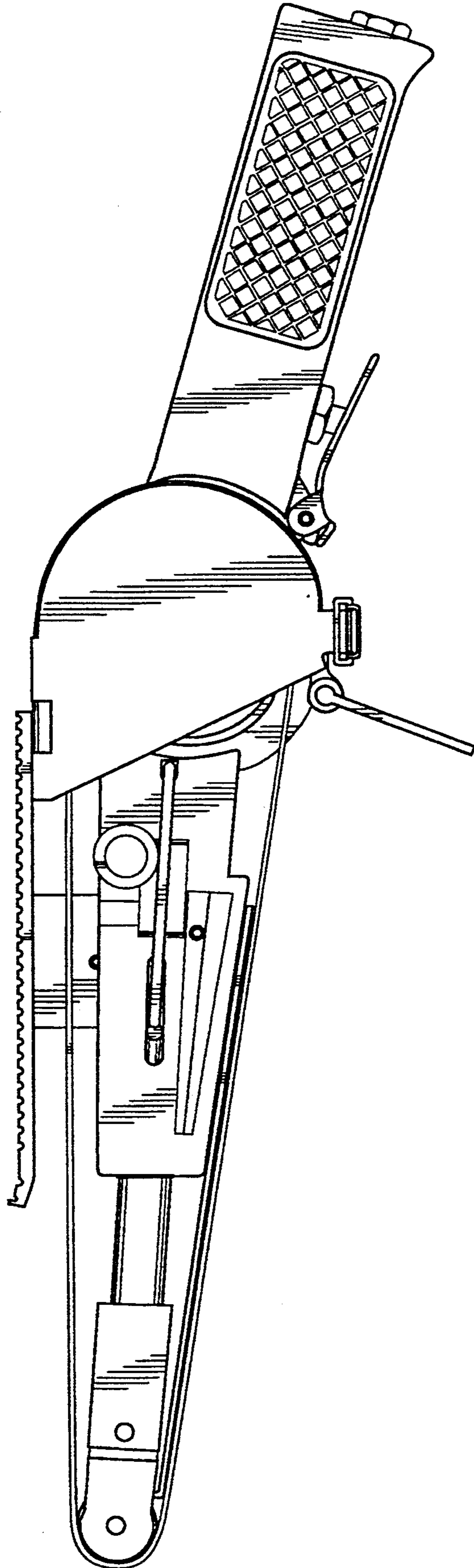
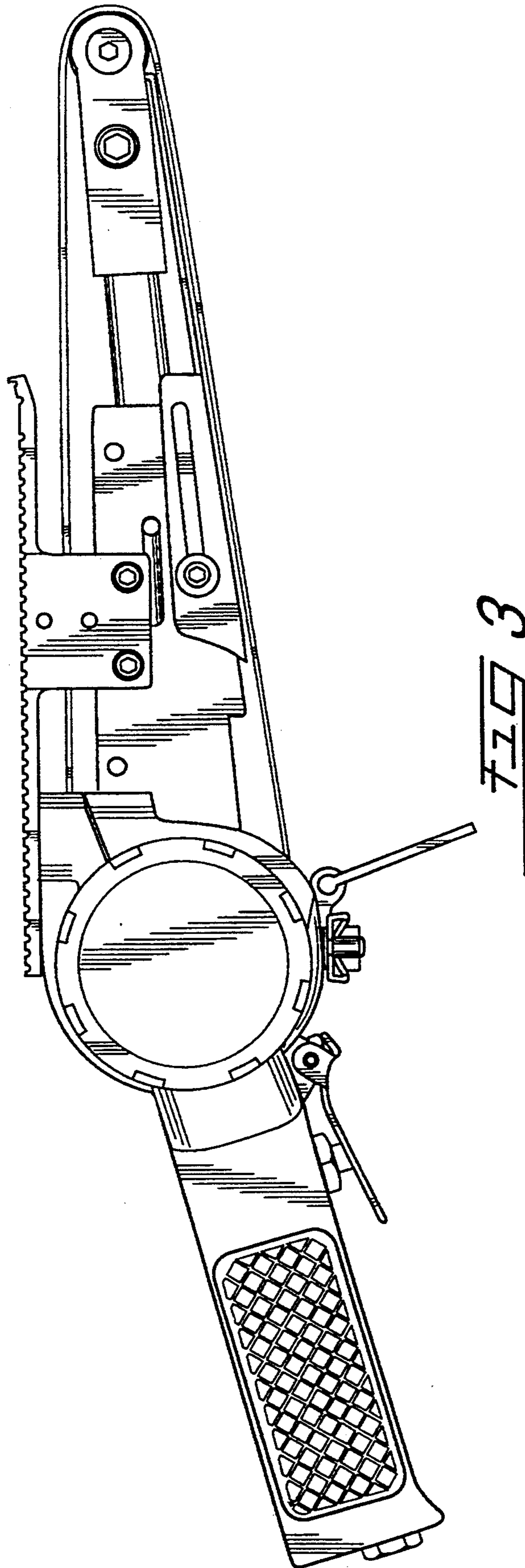


FIG 2



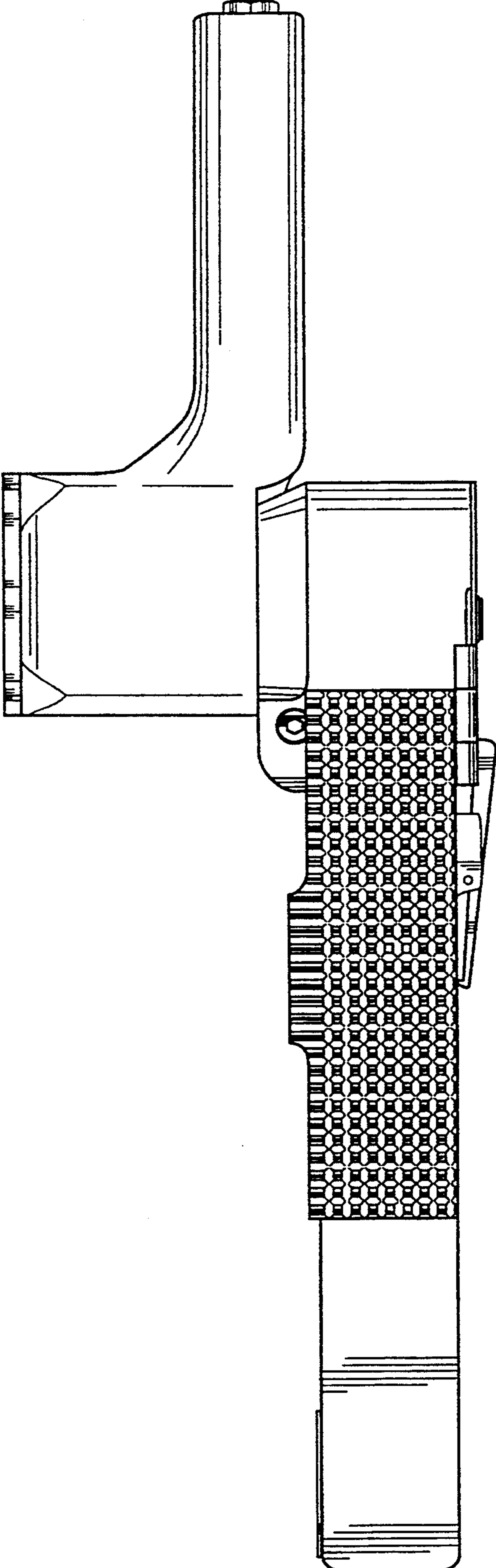


FIG 4

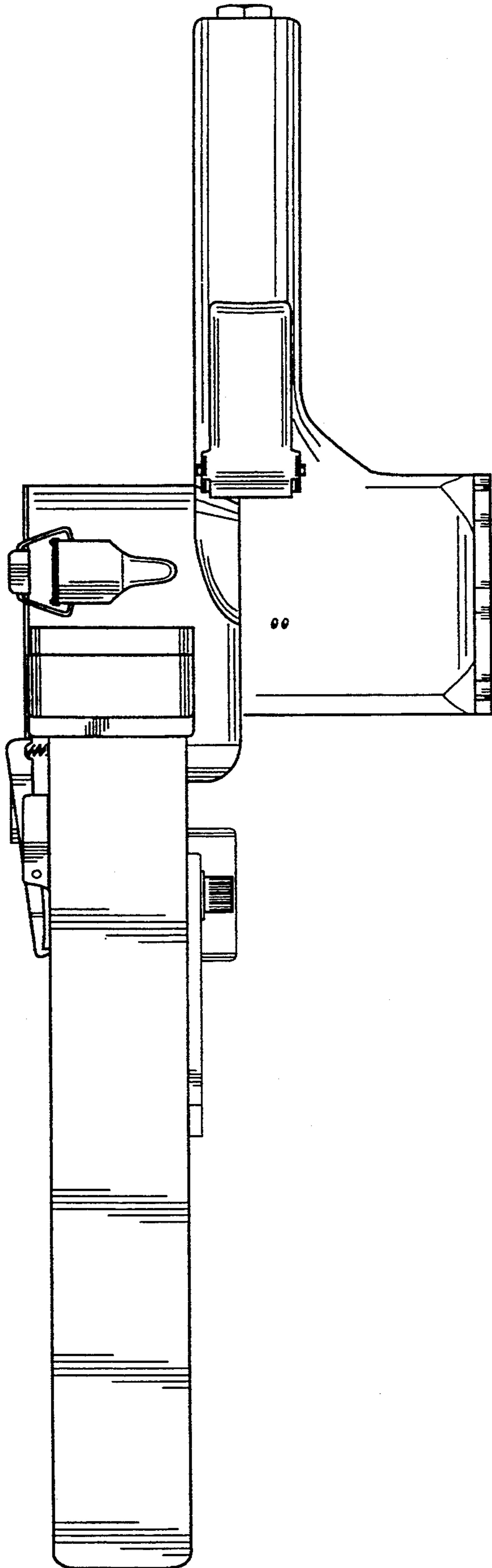


FIG 5

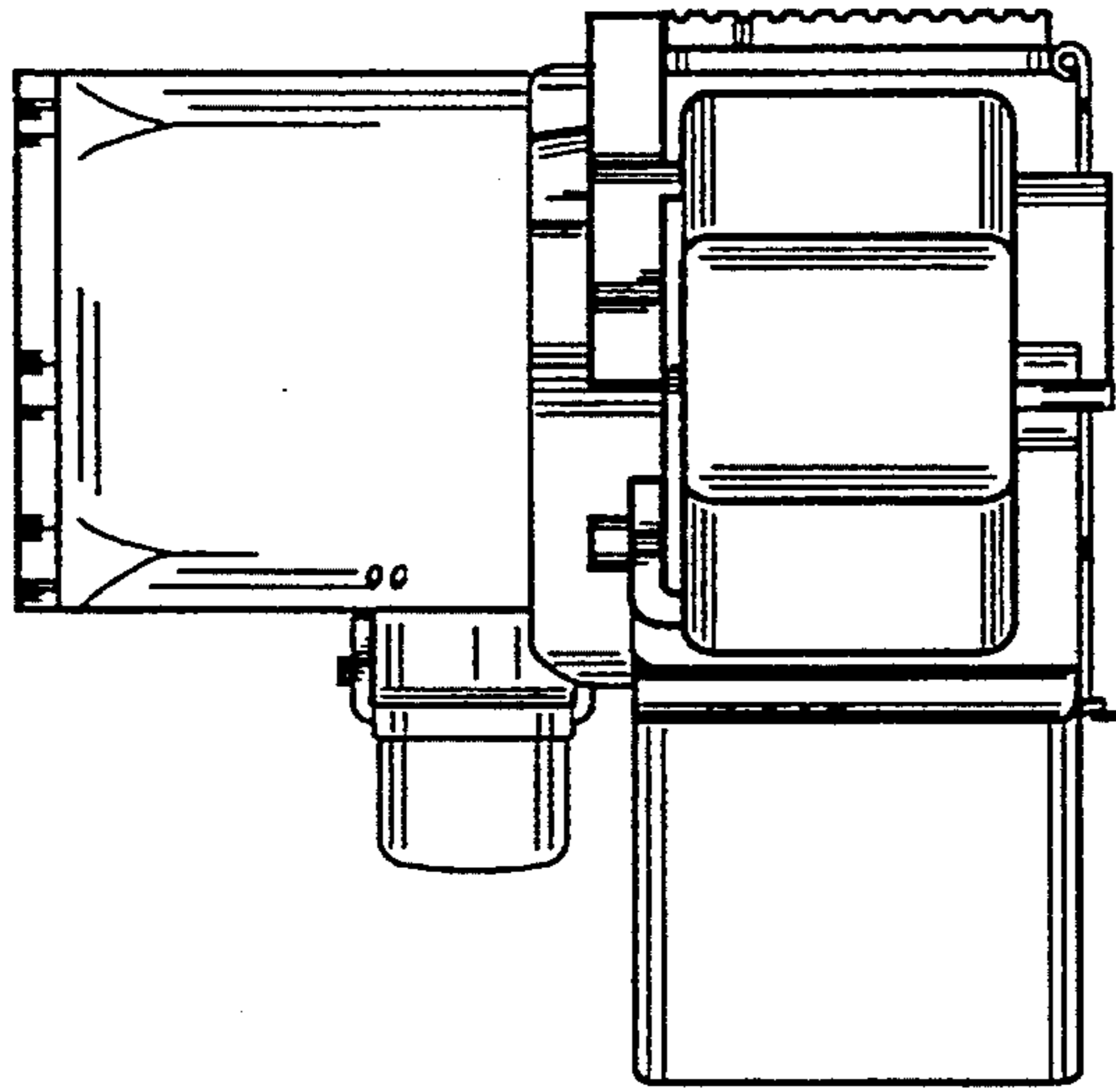


FIG 6

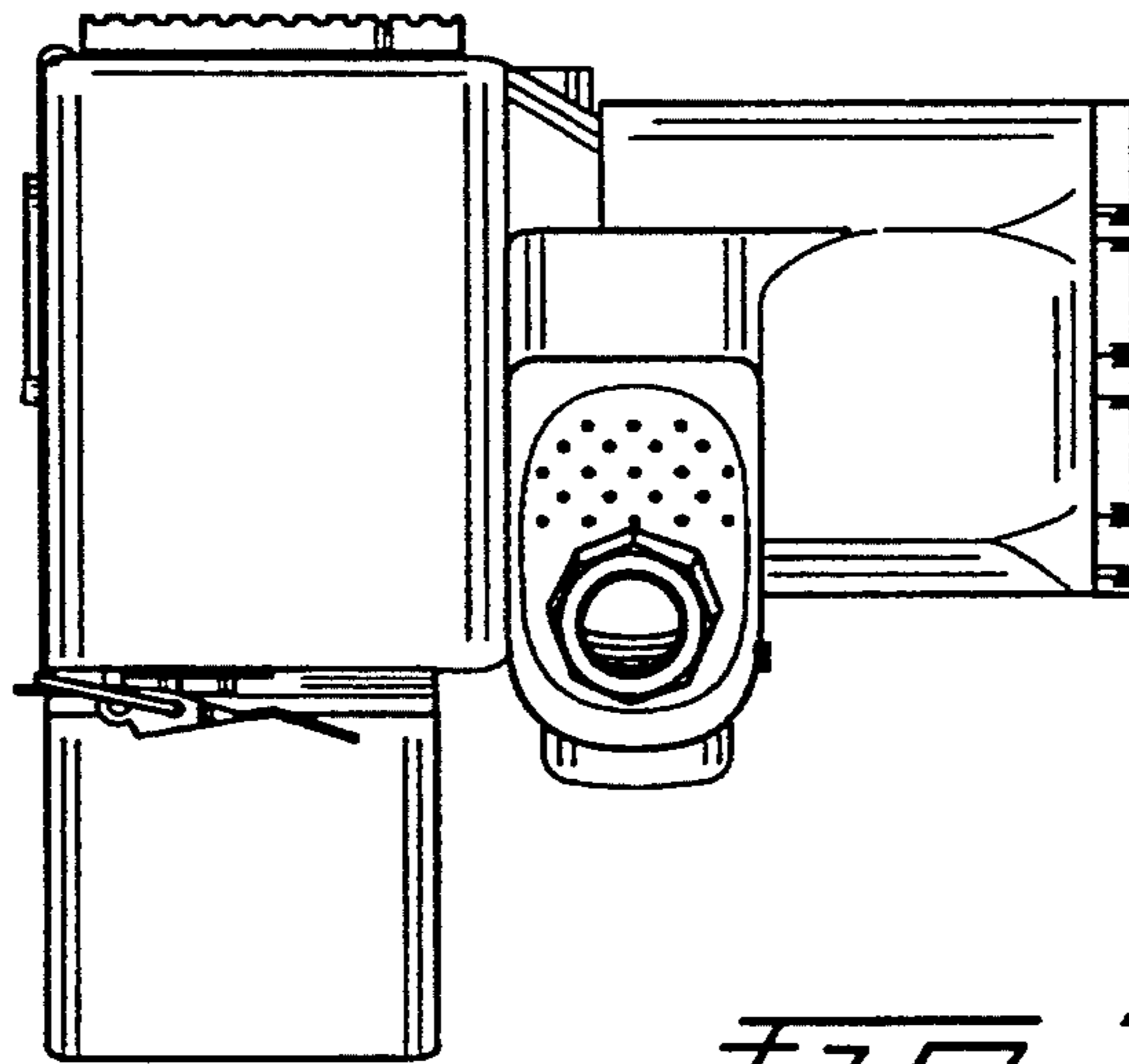


FIG 7