



US00D357163S

United States Patent [19]

[11] Patent Number: **Des. 357,163**

Izumisawa

[45] Date of Patent: **** Apr. 11, 1995**

[54] **DUST FREE DUAL ACTION SANDER**

[75] Inventor: **Nobuyuki Izumisawa**, Tokyo, Japan

[73] Assignee: **Shinano, Inc.**, Saitama, Japan

[**] Term: **14 Years**

[21] Appl. No.: **9,289**

[22] Filed: **Jun. 9, 1993**

[52] U.S. Cl. **D8/62**

[58] Field of Search **D8/61, 62; 51/170, 170 R, 51/170 TL, 170 T, 170 MT**

[56] **References Cited**

U.S. PATENT DOCUMENTS

D. 256,881	9/1980	Hutchins	D8/62
D. 269,845	7/1983	Hutchins	D8/62
D. 324,800	3/1992	Butzen et al.	D8/62
D. 324,803	3/1992	Butzen et al.	D8/62
4,622,782	11/1986	Roestenber	51/170 T

OTHER PUBLICATIONS

Precision Tools for the Automotive Industry Product Catalog, Viking TM Air Tools, pp. 1-2, 4, publication date unknown.

Astro World, Astro Pneumatic Tool Company, p. 12, No. 6, Nov. 1992.

Astro Power TM, Astro Pneumatic Tool Company, p. 24, publication date unknown.

Tools and Accessories Catalog, Buffalo Tool ®, p. 8, 1992.

Automotive Air Tools, Chicago Pneumatic, pp. 26, 31, 39, Mar. 1990.

Automotive Finishing Systems Catalog, Dynabrade, pp. 5, 7-8, publication date unknown.

Air Tools, Florida Pneumatic, pp. 10-11, publication date unknown.

High performance Pneumatic Sanders and Accessories,

Hutchins Manufacturing, pp. 4-6, publication date unknown.

Automotive Power Tools, Ingersoll-Rand ®, p. 34, publication date unknown.

Tools for the World Class Technician TM, Mac Tools, pp. 177-178, publication date unknown.

Tool and Equipment catalog, Matco Tools, p. 174, 1992-1993.

Air Tools, Mechanics Products ®, pp. 10-11, 1992.

Pneumatic Sanders, National-Detroit, Inc. pp. 1-3, publication date unknown.

Raider Air Tools TM, Florida Pneumatic, p. 3, publication date unknown.

Automotive Professional Tools and Equipment, Sioux Tools Inc., pp. 6-7, catalog No. 90A.

Worldwide, Snap-On, p. 193, publication date unknown.

Automotive Tools & Equipment, Sunex, p. 17, 1990-1991.

Quick Reference Catalogue, Rodac, p. 2, publication date unknown.

Quick Reference Catalogue, Universal Power Tools, pp. 2-3, publication date unknown.

Primary Examiner—Alan P. Douglas

Assistant Examiner—Jeffrey H. Musgrove

Attorney, Agent, or Firm—Greer, Burns & Crain, Ltd.

[57] **CLAIM**

The ornamental design for a dust free dual action sander, as shown and described.

DESCRIPTION

FIG. 1 is perspective view of the dust free dual action sander showing my new design;

FIG. 2 is a left side view thereof;

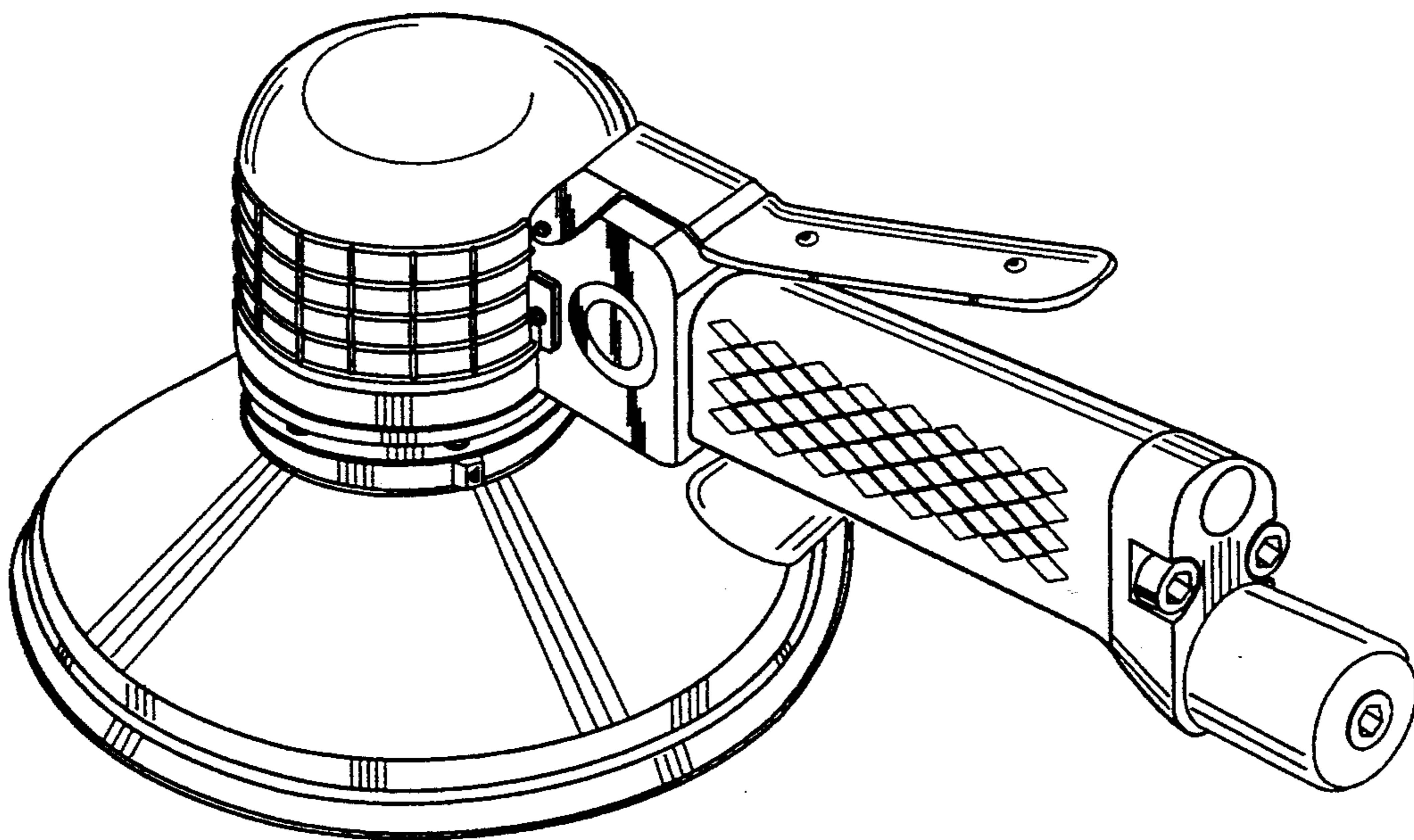
FIG. 3 is a top view thereof;

FIG. 4 is a right side view thereof;

FIG. 5 is a bottom view thereof;

FIG. 6 is a front view thereof; and,

FIG. 7 is a rear view thereof.



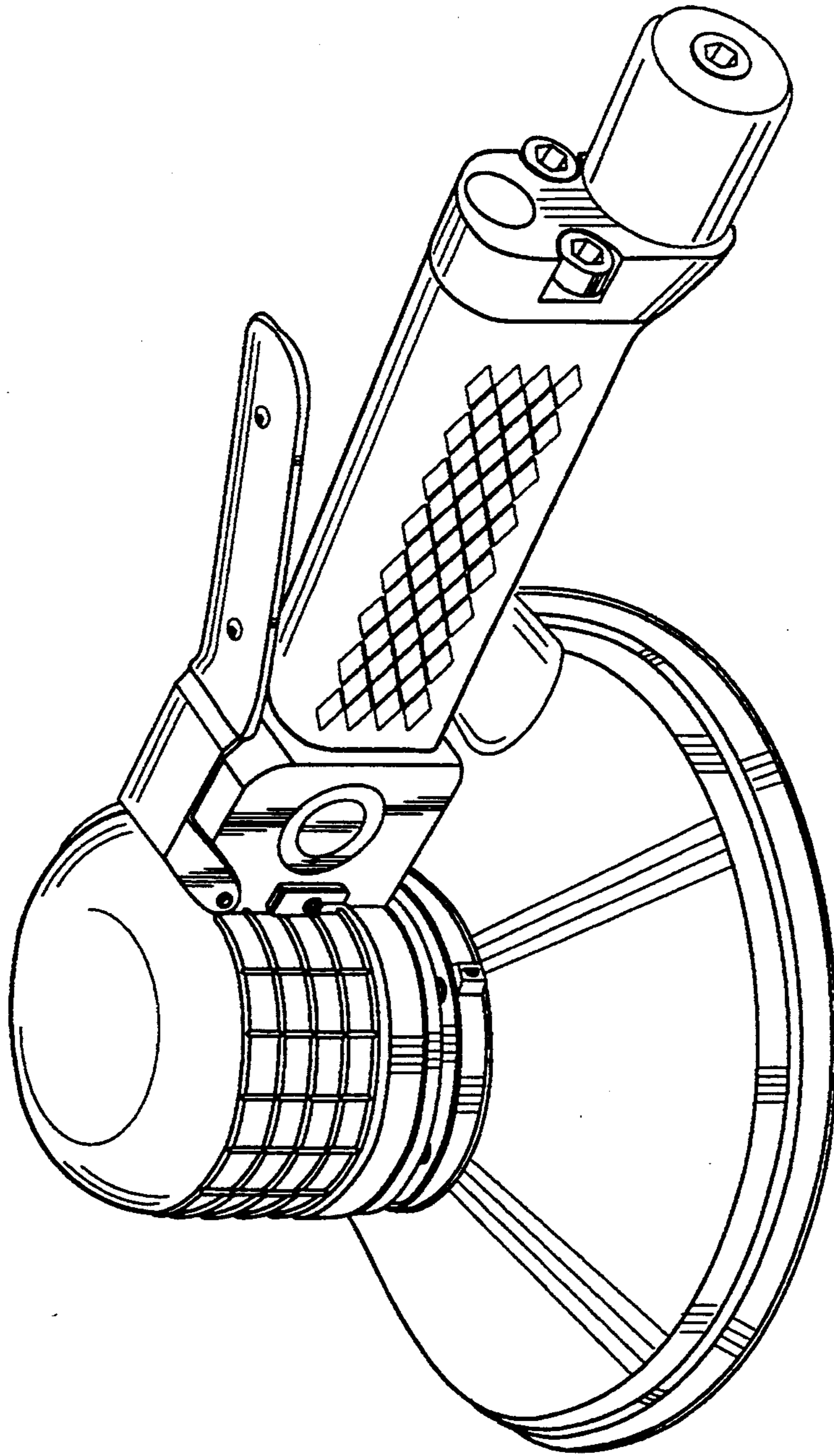


FIGURE 1

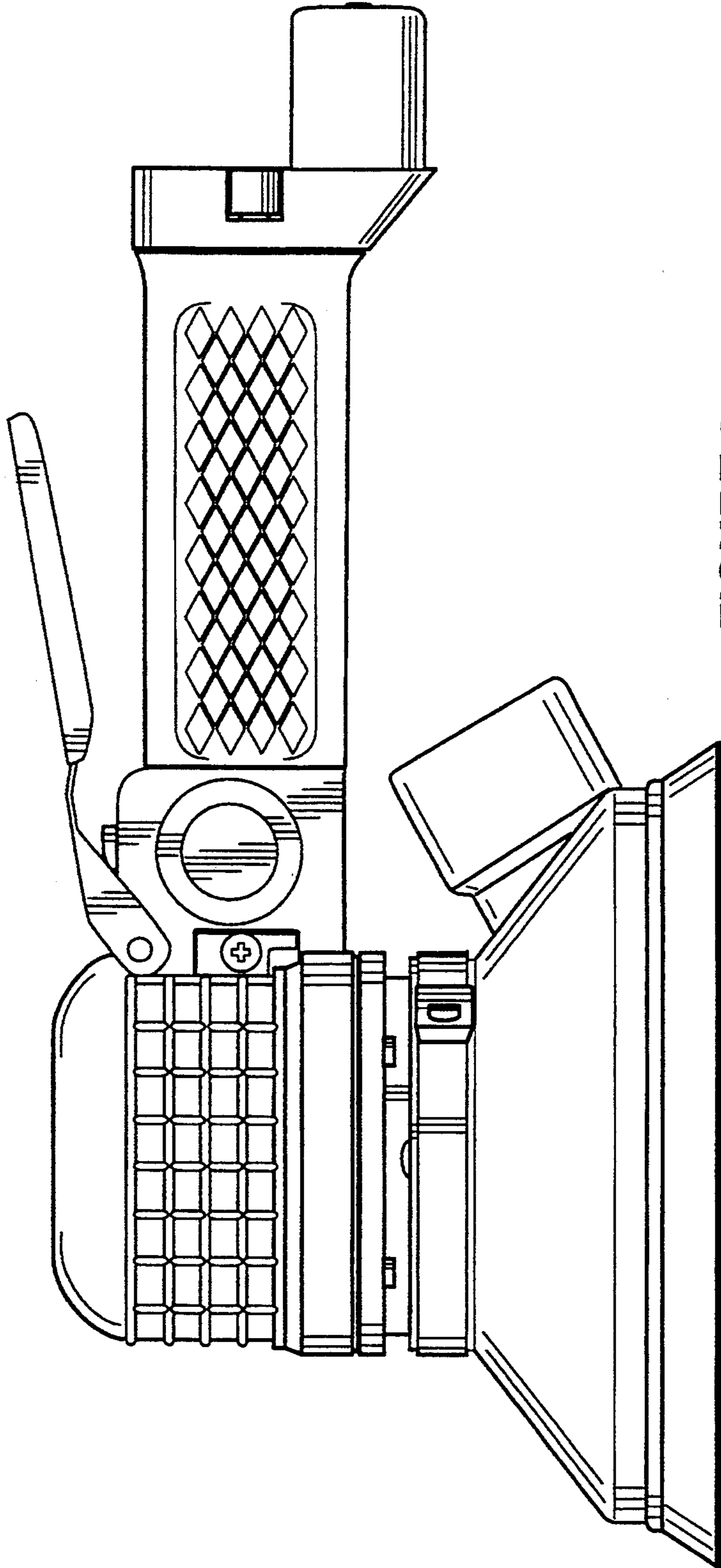


FIGURE 2

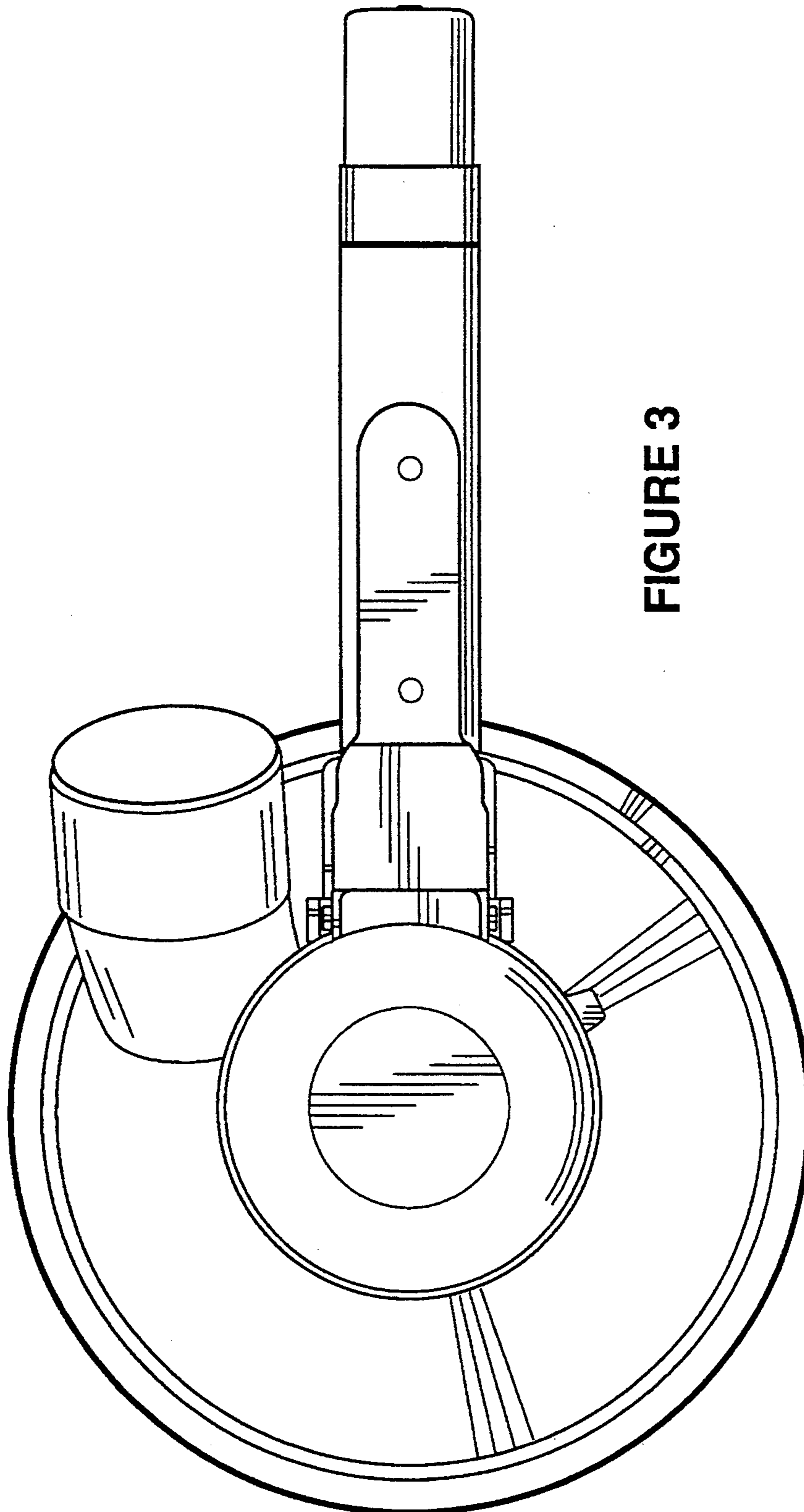


FIGURE 3

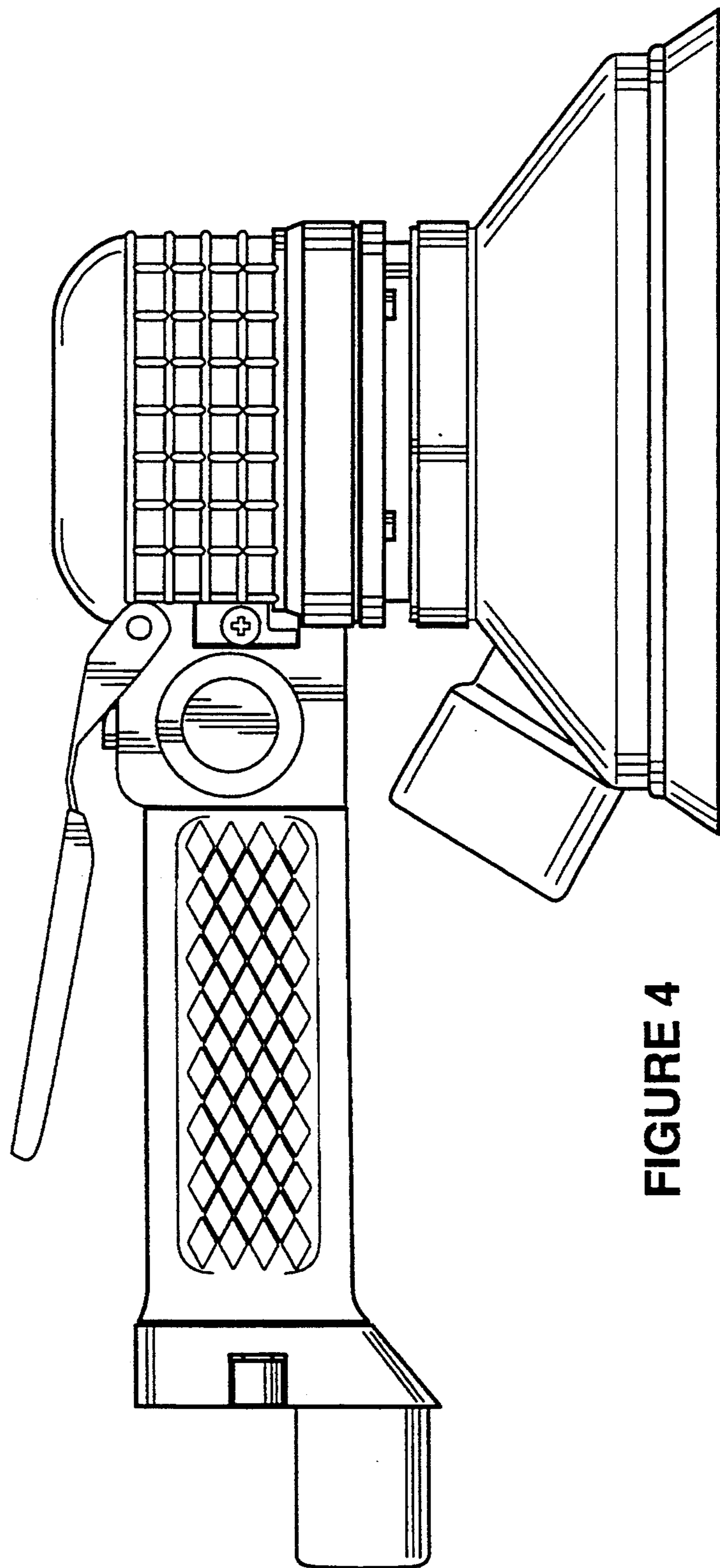


FIGURE 4

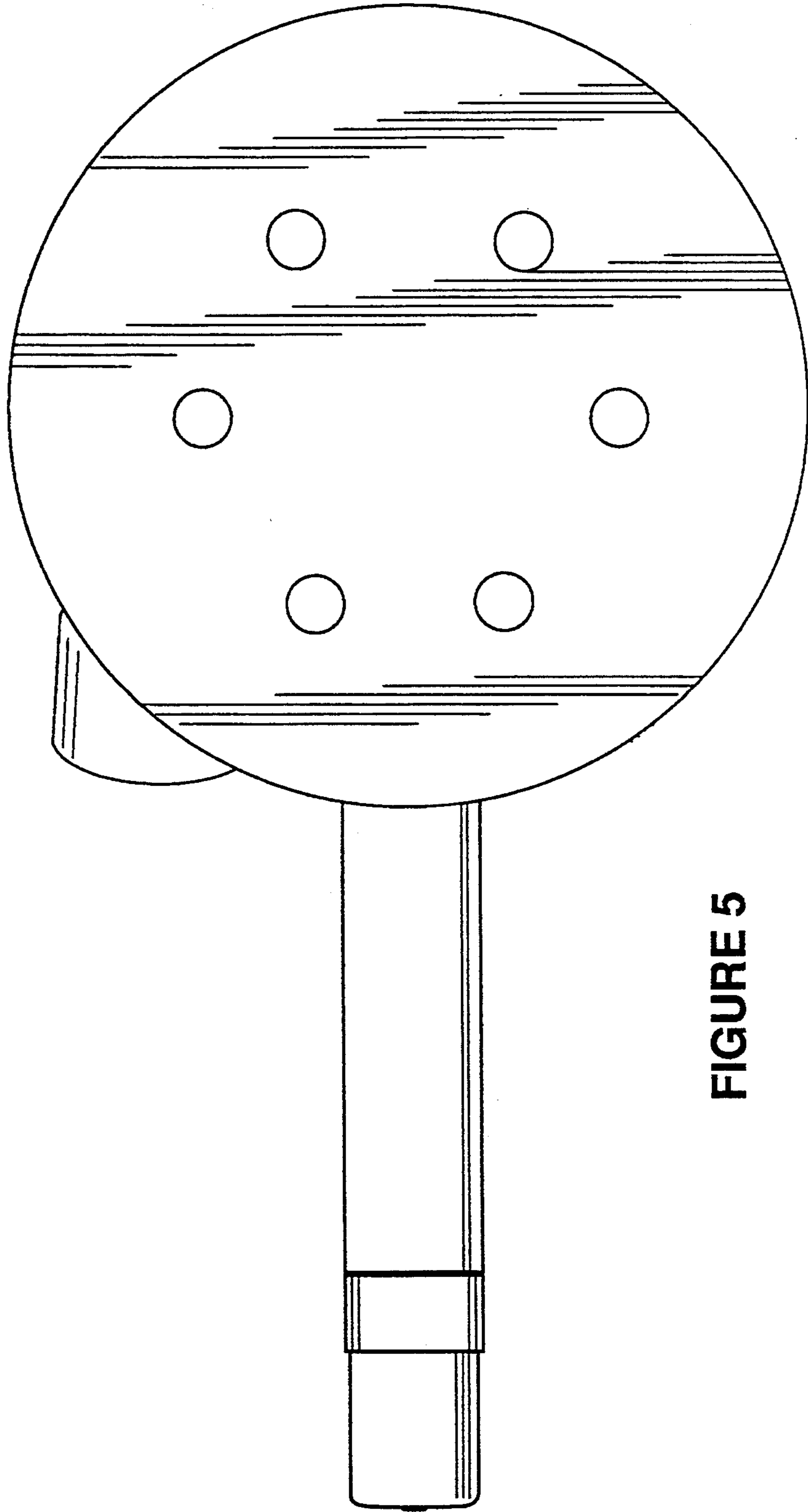


FIGURE 5

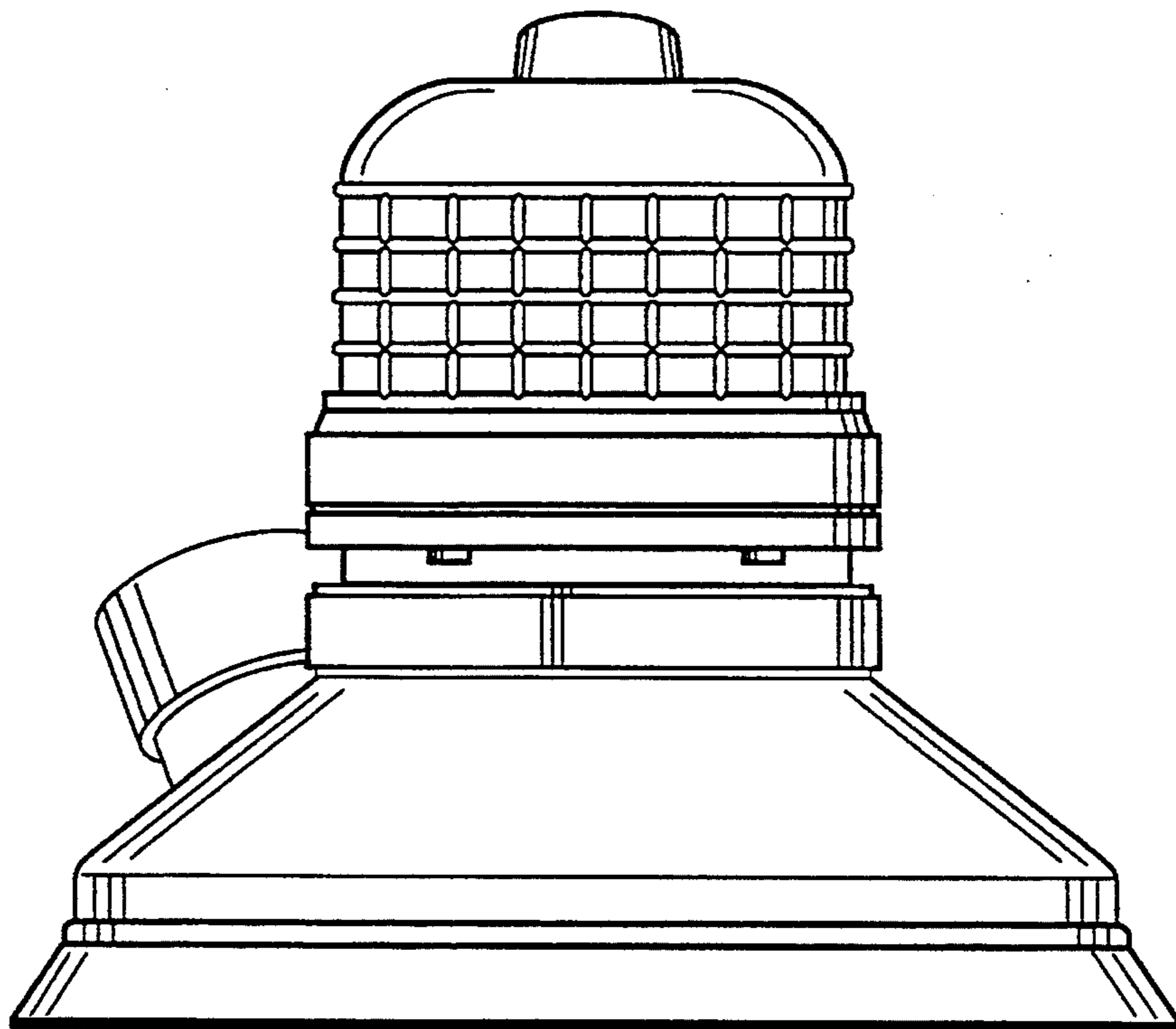


FIGURE 6

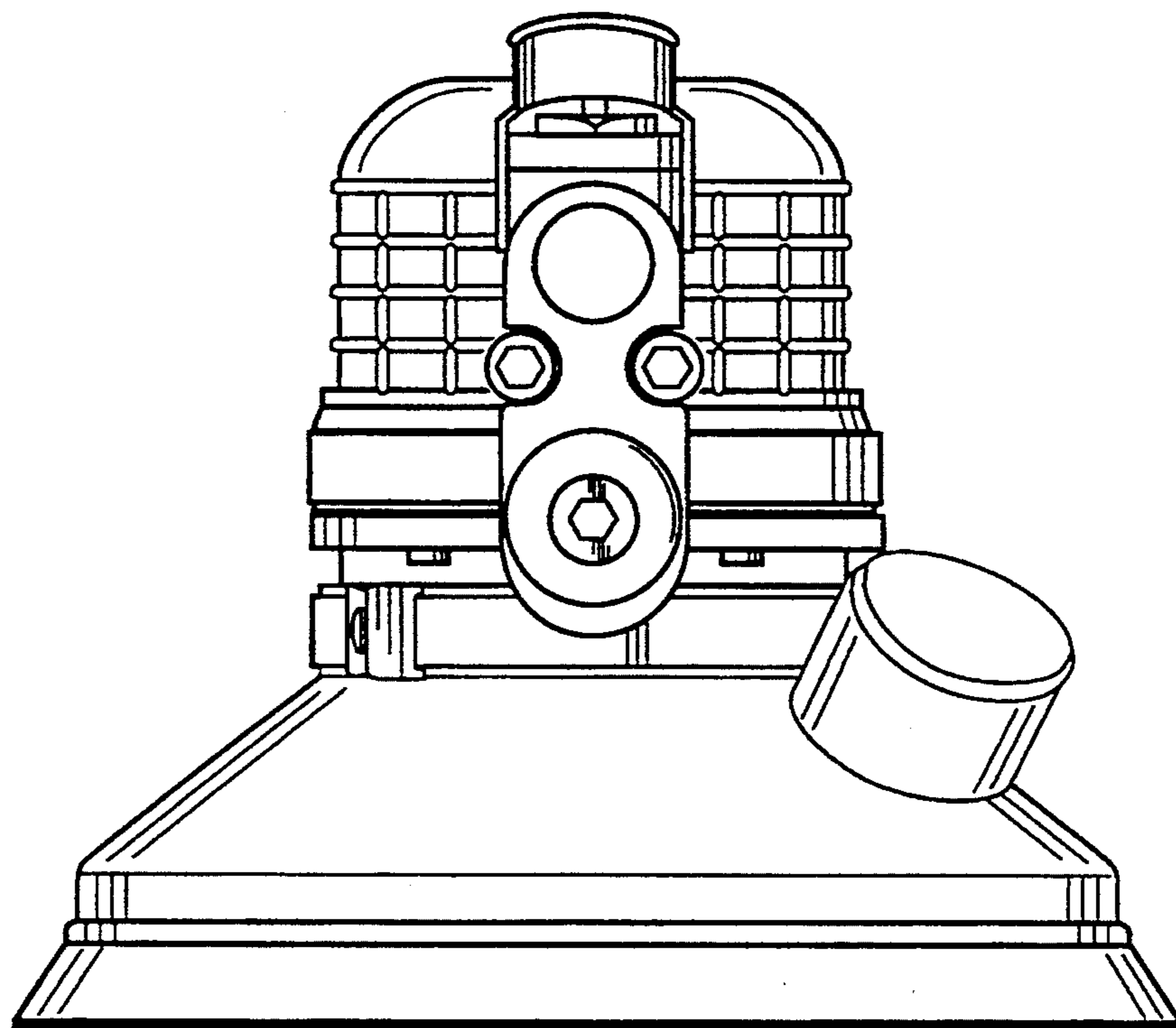


FIGURE 7