



US00D357156S

# United States Patent [19]

[11] Patent Number: **Des. 357,156**

Wolfe

[45] Date of Patent: **\*\* Apr. 11, 1995**

[54] **RECREATIONAL AIR MATTRESS**

[75] Inventor: **Henry Wolfe, Palmetto, Fla.**

[73] Assignee: **Aqua-Lesisure Industries, Inc., Avon, Mass.**

[\*\*] Term: **14 Years**

[21] Appl. No.: **12,503**

[22] Filed: **Sep. 2, 1993**

[52] U.S. Cl. .... **D6/596**

[58] Field of Search ..... **D6/595, 596, 601, 604; D21/236, 237; 5/449, 457, 455; 297/DIG. 3; 441/128, 129, 136**

4,938,722	7/1990	Rizley .....	440/6
5,090,930	2/1992	Walden .....	441/131
5,122,086	6/1992	Remy .....	441/66
5,167,554	12/1992	Tager et al. ....	441/131

**FOREIGN PATENT DOCUMENTS**

63-43887	2/1988	Japan .....	5/457
----------	--------	-------------	-------

**OTHER PUBLICATIONS**

Intex '93 Inflatables and Swim Gear, Item Nos. 58894, 58893, 58890, and 58895, pp. 32-33.

*Primary Examiner*—Lisa P. Lichtenstein  
*Attorney, Agent, or Firm*—Greenfield & Sacks

[56] **References Cited**

**U.S. PATENT DOCUMENTS**

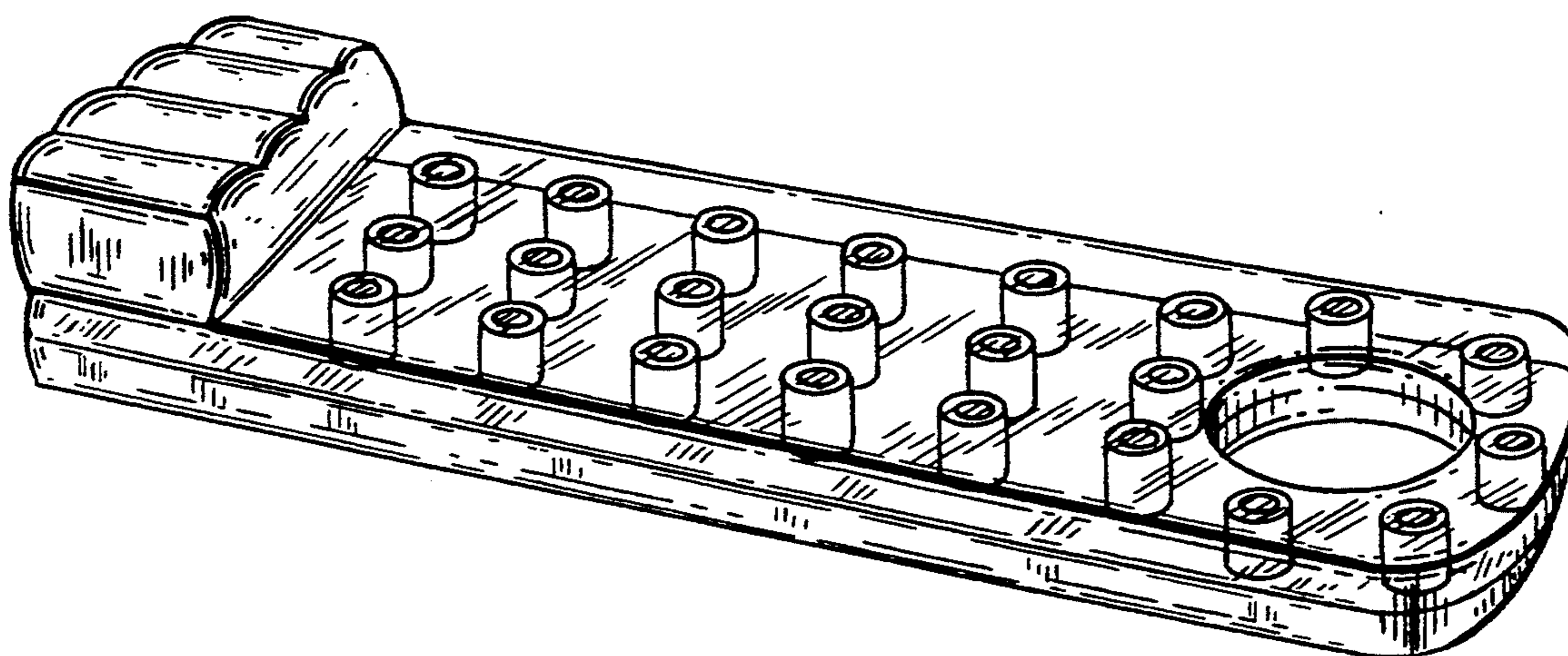
D. 284,139	6/1986	Fo .....	D6/596
D. 293,012	12/1987	Storey et al. ....	D21/237
D. 335,999	6/1993	Van Driessche .....	D6/604
D. 343,980	2/1994	Torchia .....	D21/237
2,057,687	10/1936	Manson .....	5/457
2,623,574	12/1952	Damsch .....	155/47
2,674,753	4/1954	Wood .....	9/11
2,946,068	7/1960	Jasper .....	9/347
3,705,429	12/1972	Nail .....	5/455
4,693,691	9/1987	DeYoe .....	441/129
4,723,329	2/1988	Vaccaro .....	5/455

[57] **CLAIM**

The ornamental design for a recreational air mattress, as shown and described.

**DESCRIPTION**

FIG. 1 is a perspective view of a recreational air mattress design;  
FIG. 2 is a top plan view thereof;  
FIG. 3 is a left side elevational view thereof, with the right side elevation being a mirror image;  
FIG. 4 is a rear elevational view thereof;  
FIG. 5 is a front elevational view thereof; and,  
FIG. 6 is a bottom plan view thereof.



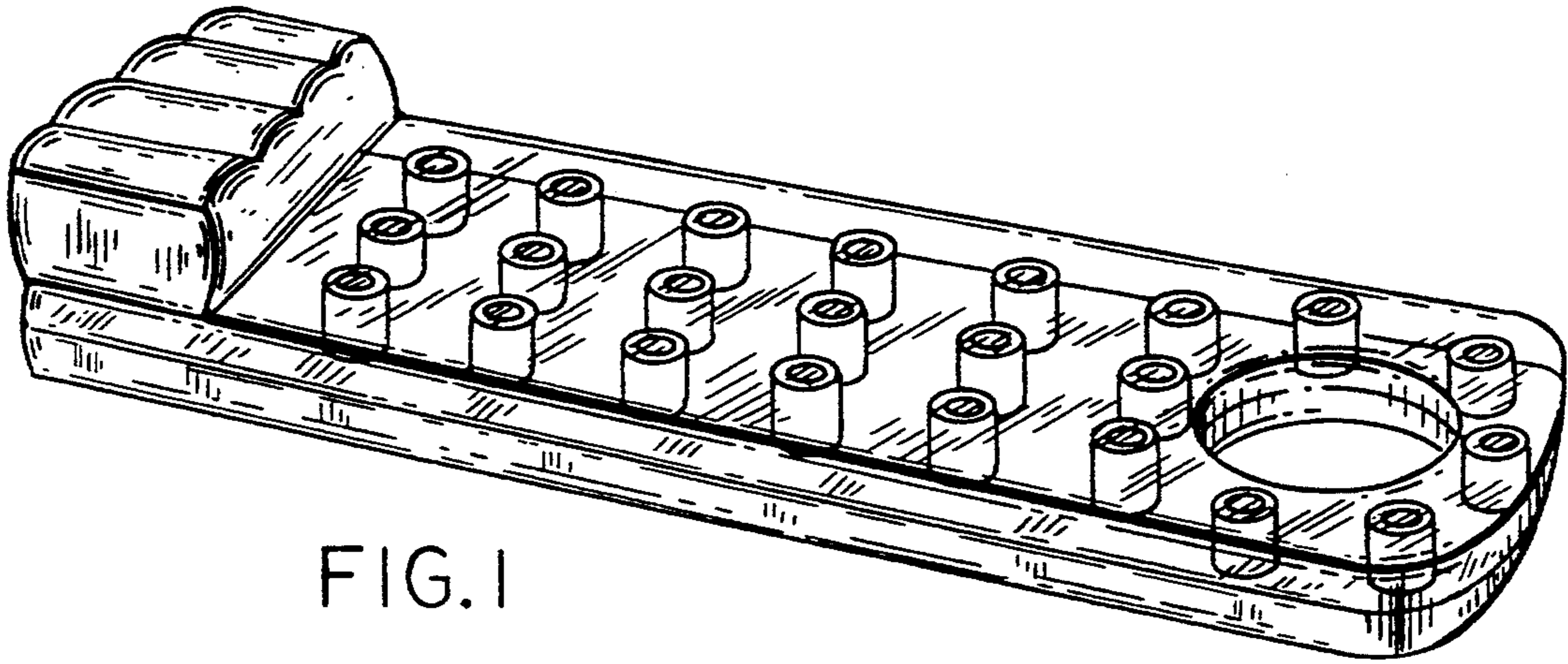


FIG. 1

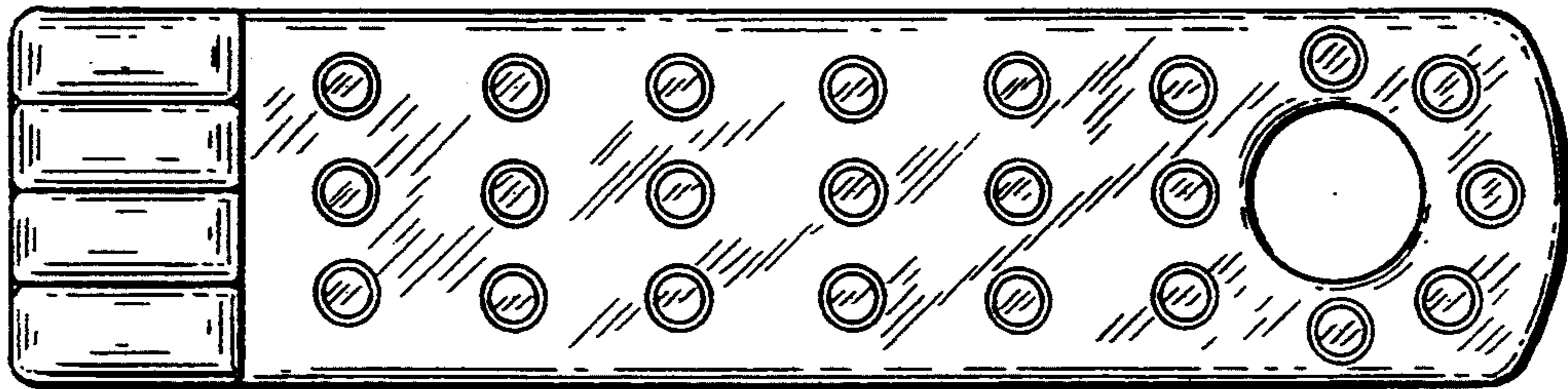


FIG. 2

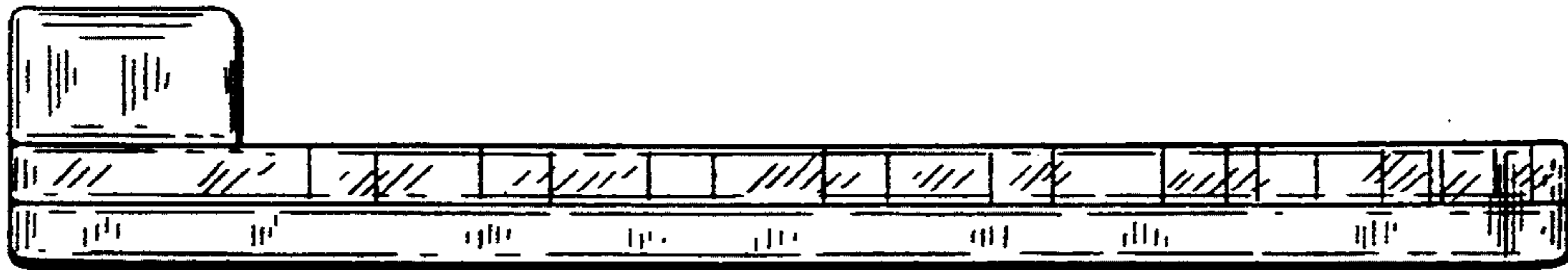


FIG. 3

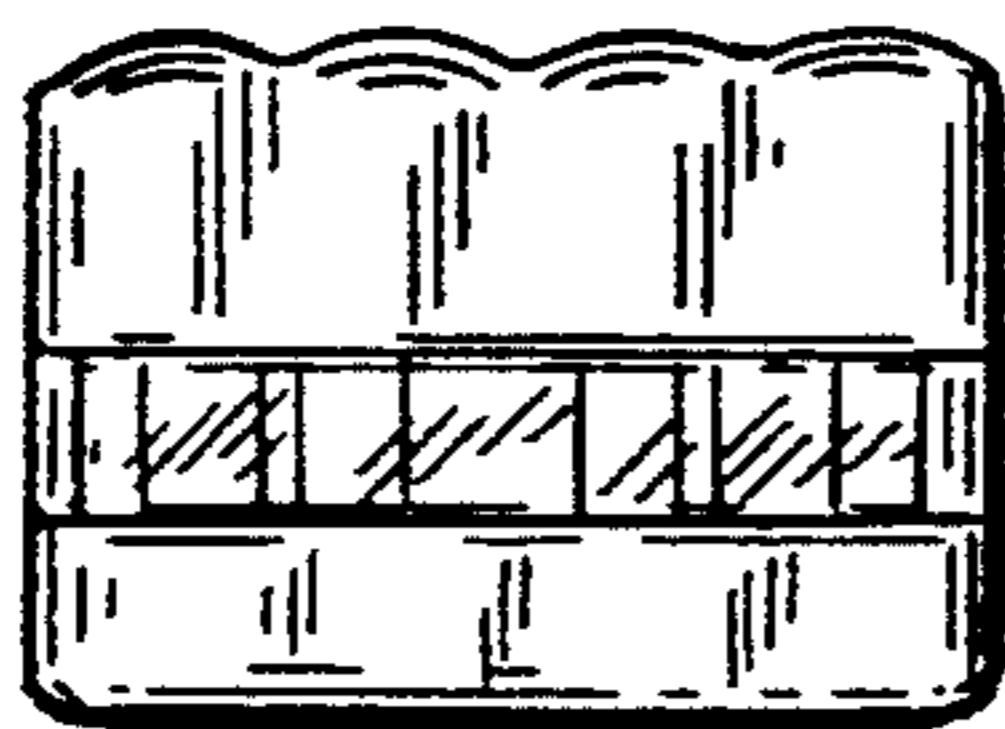


FIG. 4

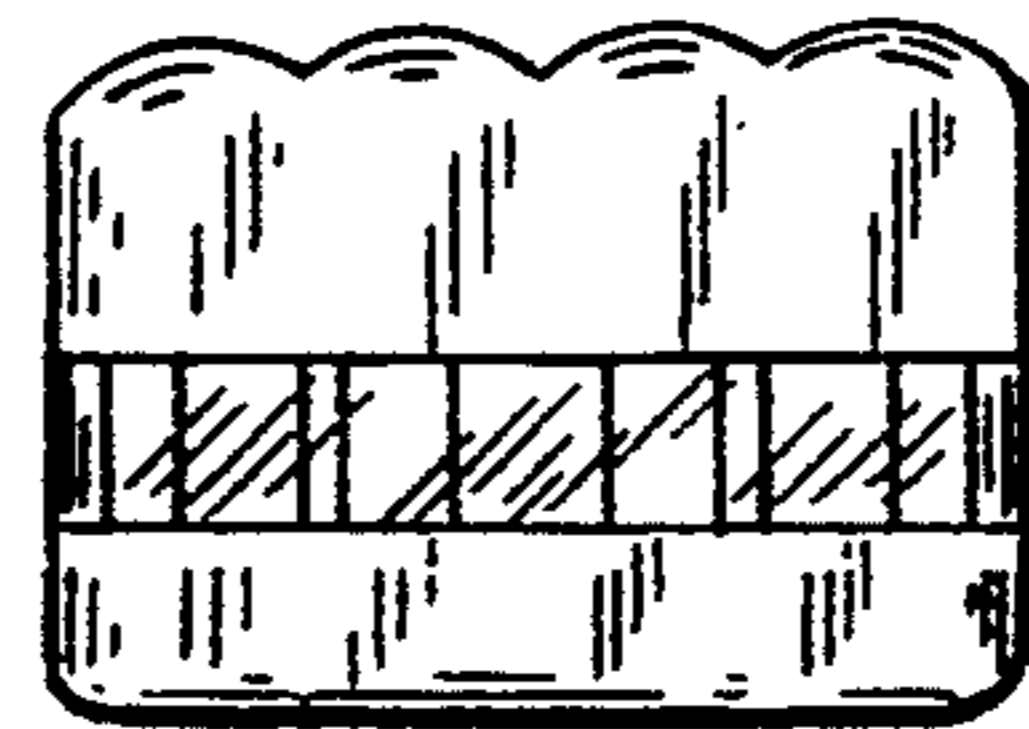


FIG. 5

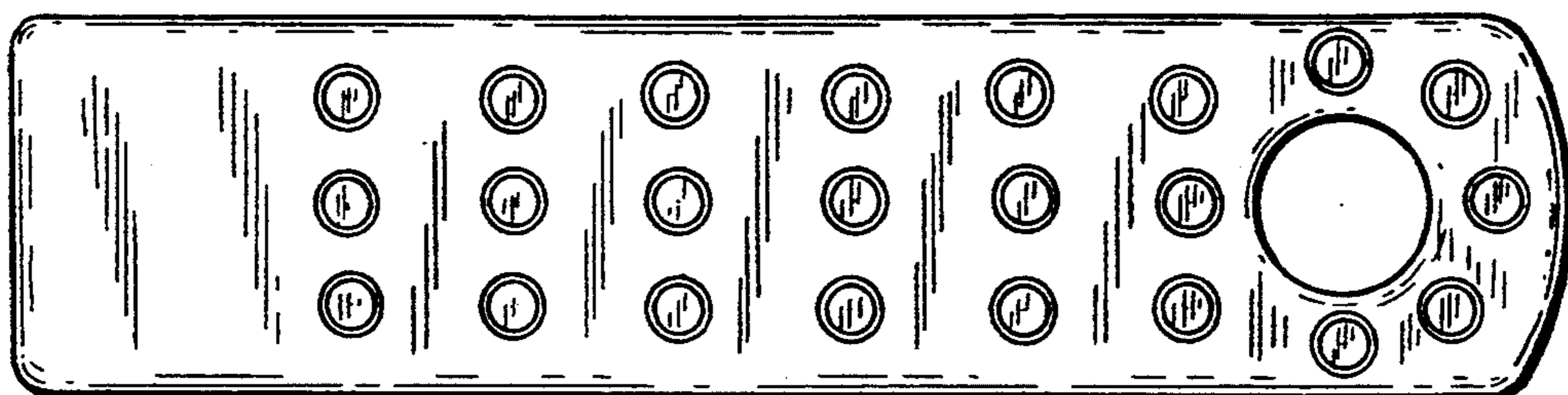


FIG. 6