



US00D357155S

United States Patent [19]

[11] Patent Number: **Des. 357,155**

Staley

[45] Date of Patent: **** Apr. 11, 1995**

[54] **ORNAMENT DISPLAY FIXTURE**

[75] Inventor: **Michael B. Staley, Fairway, Kans.**

[73] Assignee: **Hallmark Cards, Inc., Kansas City, Mo.**

[**] Term: **14 Years**

[21] Appl. No.: **10,963**

[22] Filed: **Jul. 21, 1993**

[52] U.S. Cl. **D6/569**

[58] Field of Search **D6/512, 567, 569-571, D6/573-574, 559, 561; 211/13, 86-87, 90, 126, 134; 108/59, 60, 64, 180; 248/176, 235; 312/198, 245; D20/42, 10**

[56] **References Cited**

U.S. PATENT DOCUMENTS

D. 271,168	11/1983	Antonczyk	D6/559
D. 279,064	6/1985	Scholl	D6/567 X
D. 284,392	6/1986	Weil	D20/42 X
D. 313,717	1/1991	Odell	D6/553
D. 339,707	9/1993	Vernon	D6/571
4,303,447	12/1981	Ellwood et al.	312/235 X
5,029,792	6/1991	Desjardins	D6/567 X

OTHER PUBLICATIONS

"Keepsake Ornamets: The Industry Leader", *Hallmark Card Specialty, Christmans 1992*, pp. 27 and 76, Feb. 1, 1992.

Primary Examiner—Brian N. Vinson
Attorney, Agent, or Firm—Leydig, Voit & Mayer, Ltd.

[57] **CLAIM**

the ornamental design for the ornament display fixture, as shown and described.

DESCRIPTION

FIG. 1 is a top, front and left side perspective view of an ornament display fixture showing my new design, the broken line disclosure of a portion of the wall being for illustrative purposes only and forming no part of the claimed design;

FIG. 2 is a front elevational view thereof, with the rear being plain and unornamented;

FIG. 3 is a top plan view thereof, with the bottom being a mirror image of that shown;

FIG. 4 is a left side elevational view thereof, with the right side being a mirror image of that shown;

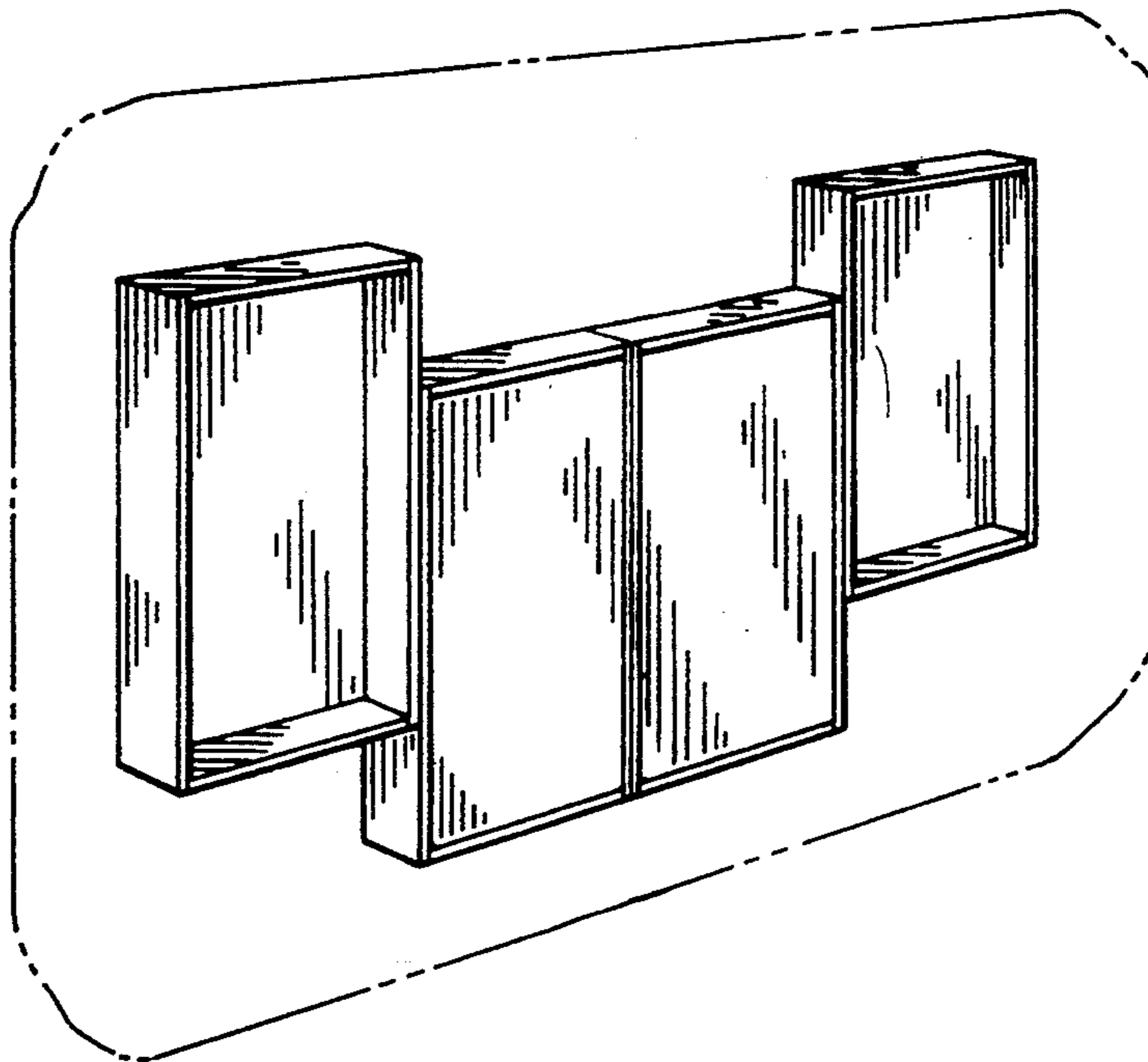
FIG. 5 is an enlarged top, front, and left side perspective view of one of the side shadowbox elements thereof, with the right side being a mirror image of that shown, and the other side shadowbox and center non-shadowbox elements being omitted for clarity of illustration;

FIG. 6 is an enlarged front elevational view of one of the side shadowbox elements thereof, with the rear being plain and unornamented;

FIG. 7 is an enlarged front elevational view of one of the center non-shadowbox elements thereof, with the other center non-shadowbox and side shadowbox elements being omitted for clarity of illustration;

FIG. 8 is an enlarged side elevational view of one of the center non-shadowbox elements thereof, with the opposite side being a mirror image of that shown; and,

FIG. 9 is an enlarged top plan view of one of the center non-shadowbox elements thereof, with the bottom being identical in appearance.



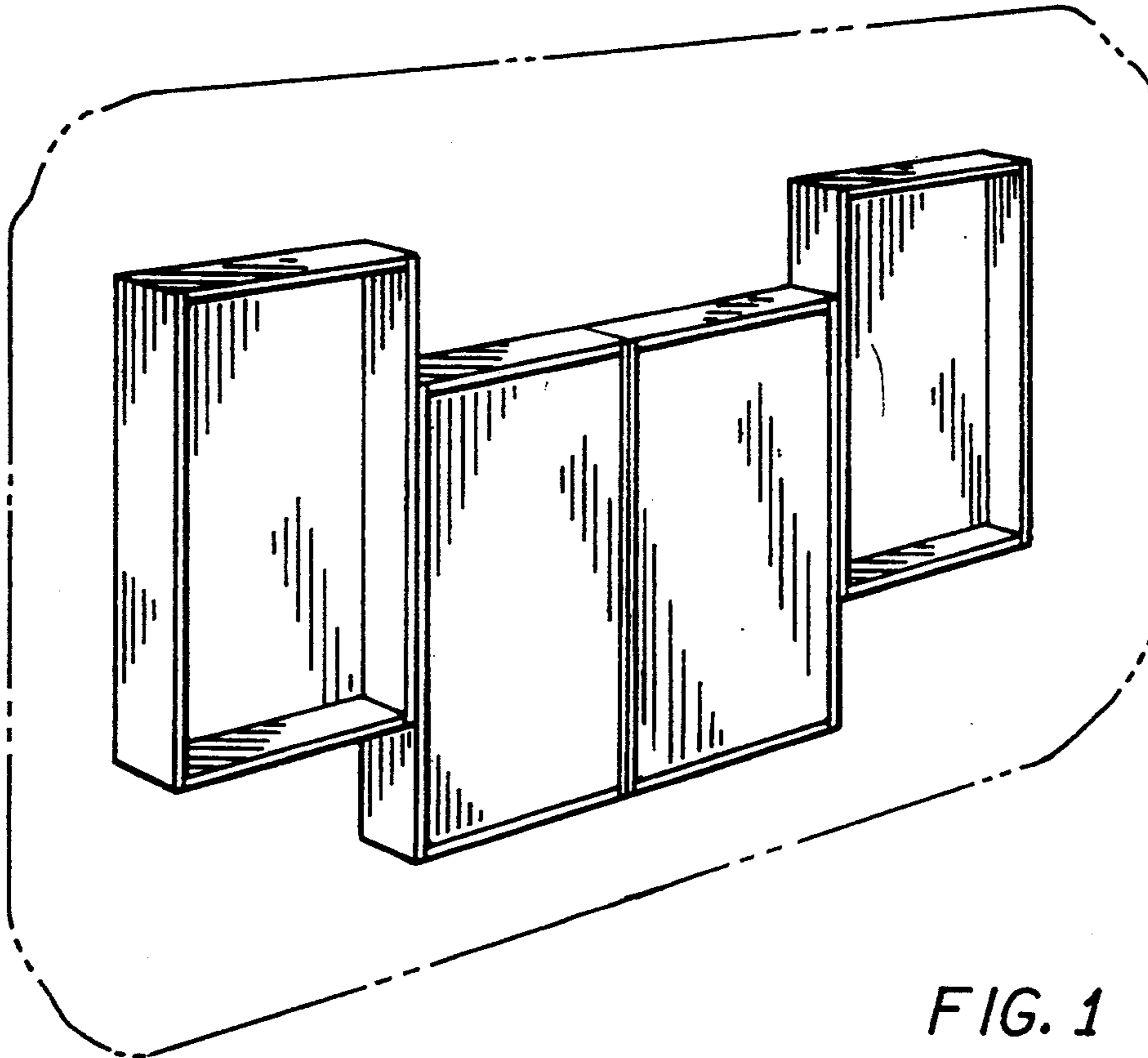


FIG. 3

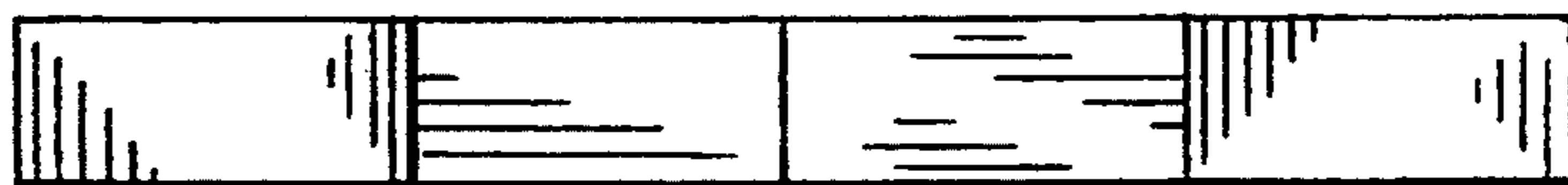


FIG. 4

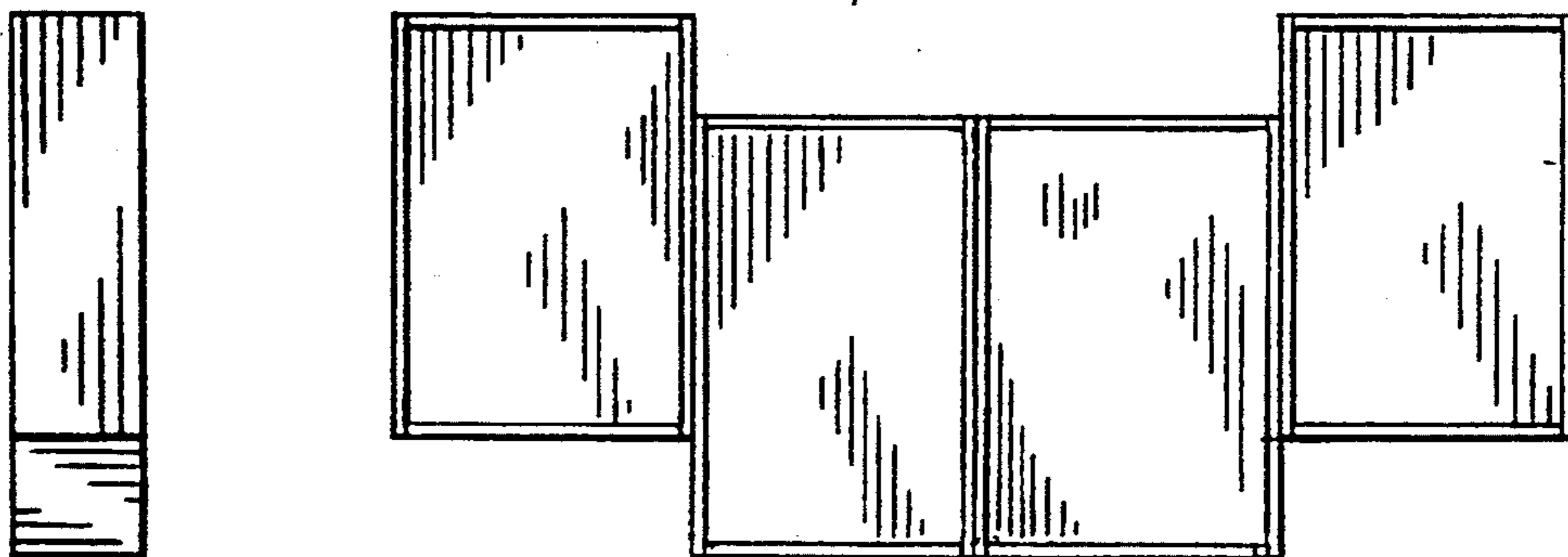


FIG. 2

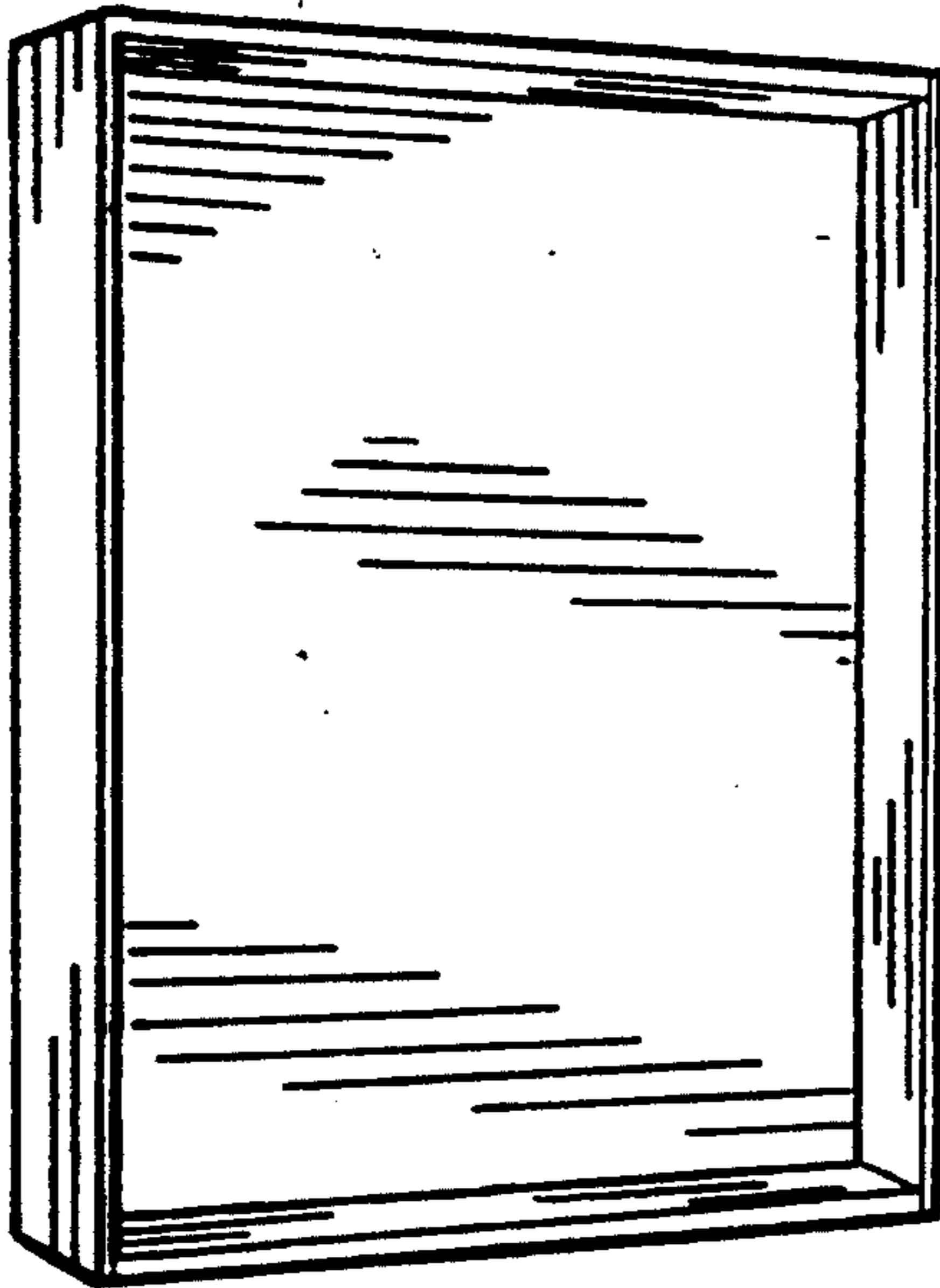


FIG. 5

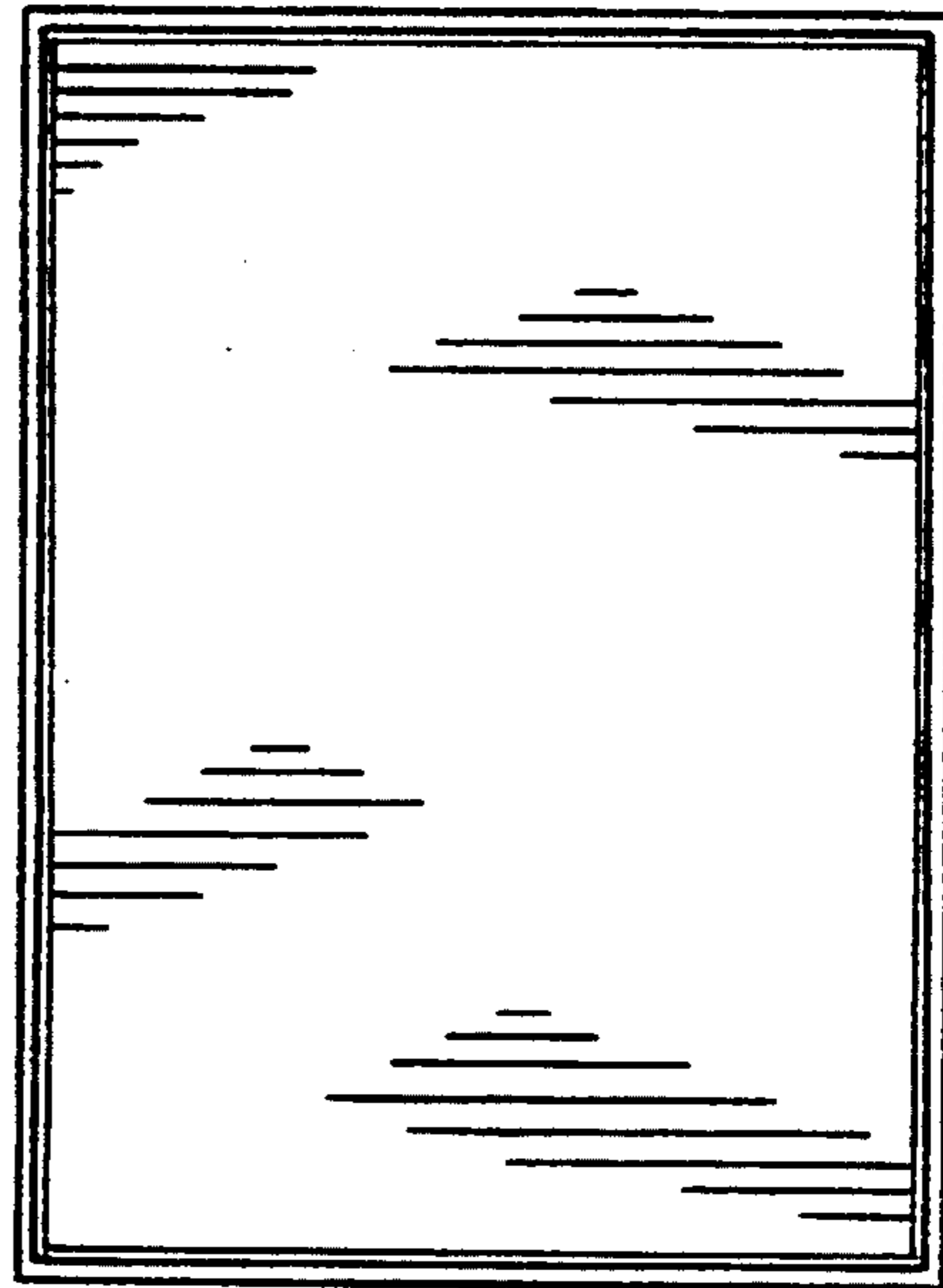


FIG. 6

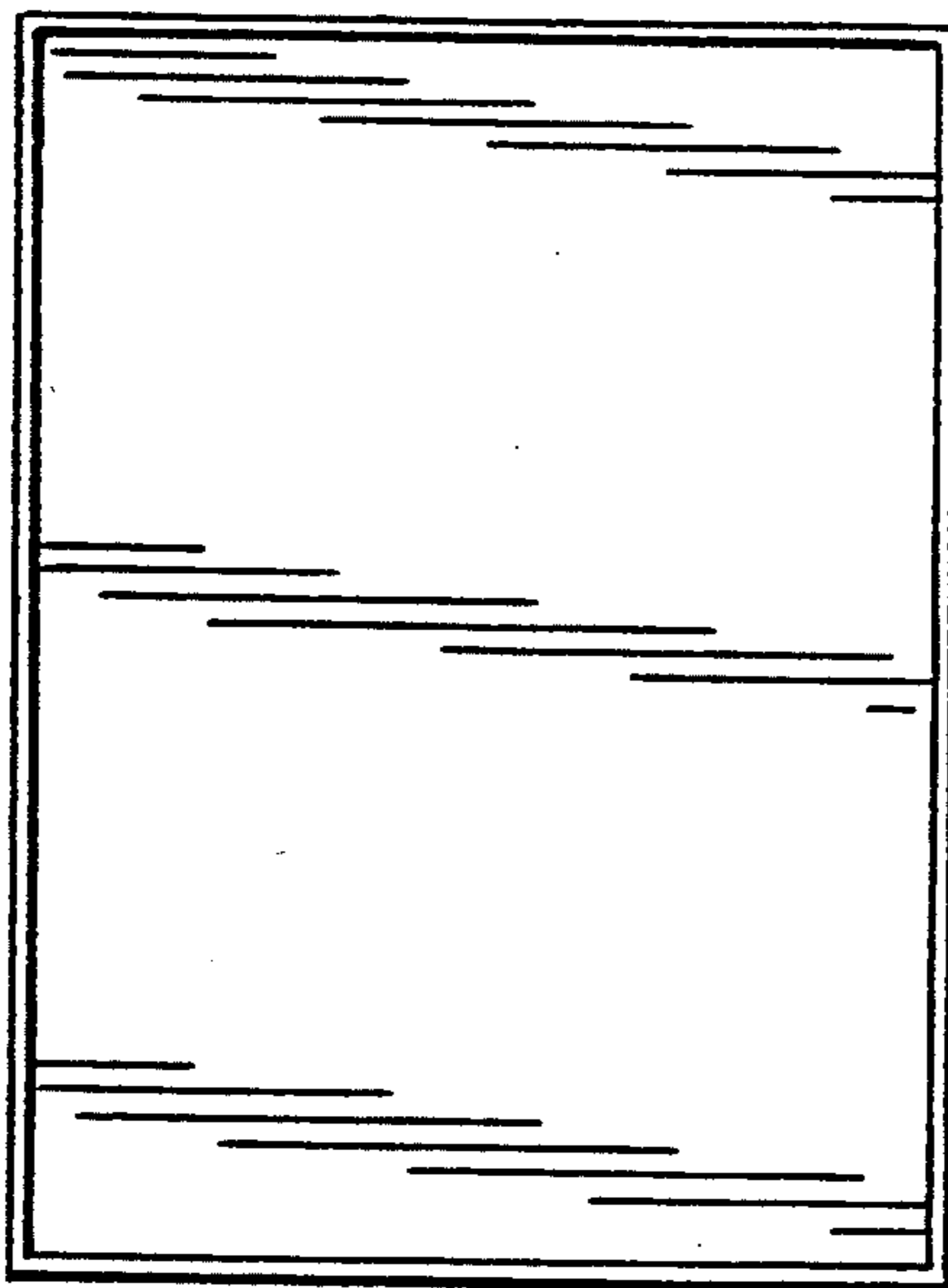


FIG. 7



FIG. 8

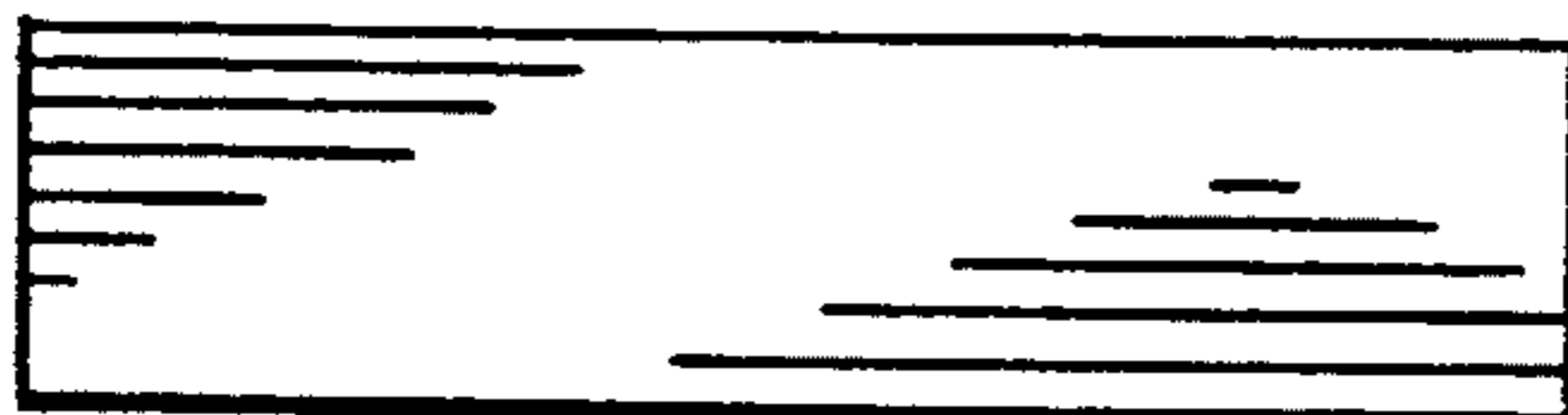


FIG. 9