



US00D357154S

United States Patent [19]

[11] Patent Number: Des. 357,154

Hess

[45] Date of Patent: ** Apr. 11, 1995

[54] CHAIR FRAME

D. 327,377 6/1992 Grosfillex .

[75] Inventor: Stephen C. Hess, Birmingham, Ala.

OTHER PUBLICATIONS

[73] Assignee: Winston Furniture Company of Alabama, Inc., Birmingham, Ala.

Spring 1992 Brown Jordan "Marathon". Sunterrace Products Catalog, 1986, p. 21 Lounge in bottom right corner.

[**] Term: 14 Years

Weekly Home Furnishings Newspaper, Aug. 15, 1988, p. 21, Lounge at right.

[21] Appl. No.: 7,895

[22] Filed: May 3, 1993

Primary Examiner—Alan P. Douglas
Assistant Examiner—Gary D. Watson
Attorney, Agent, or Firm—J. Bennett Mullinax;
Hardaway Law Firm

[52] U.S. Cl. D6/361

[58] Field of Search D6/334, 360, 361, 379,
D6/500, 501, 502; 297/377

[56] References Cited

[57] CLAIM

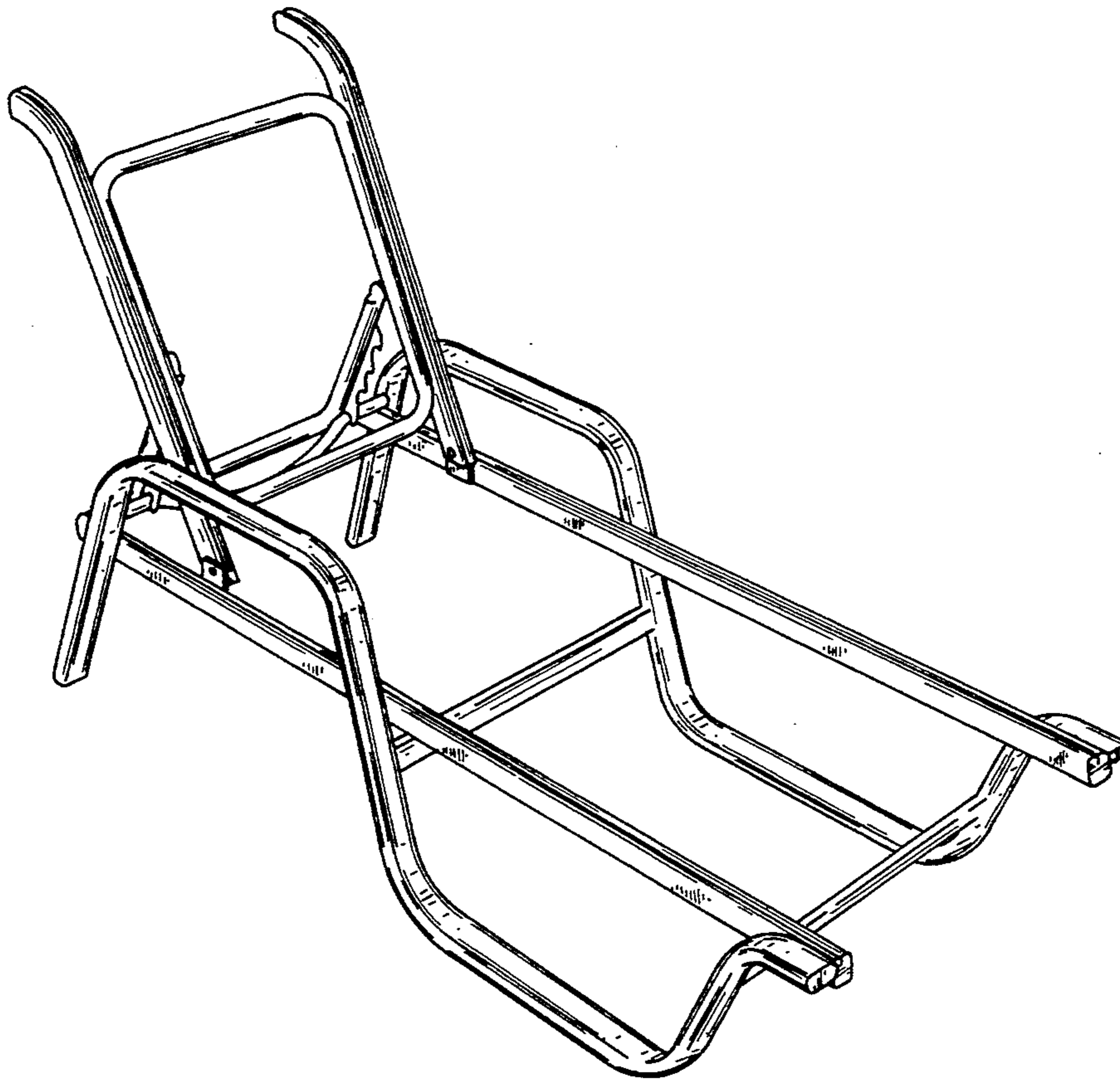
The ornamental design for a chair frame, as shown.

U.S. PATENT DOCUMENTS

DESCRIPTION

- D. 248,344 7/1978 Uchida .
- D. 279,053 6/1985 Vanderminden .
- D. 281,037 10/1985 Parker .
- D. 281,744 12/1985 Murry .
- D. 283,088 3/1986 McKay .
- D. 284,143 6/1986 Vanderminden .
- D. 285,873 9/1986 Criqui D6/361
- D. 287,552 1/1986 Vanderminden .
- D. 290,664 7/1987 Strousse et al. .
- D. 293,516 1/1988 Schultz .
- D. 298,096 10/1988 Kaminski .
- D. 306,804 3/1990 Frinier .
- D. 320,891 10/1991 Frinier .
- D. 321,096 10/1991 Arthur, Jr. .

FIG. 1 is a front elevational view of a chair frame showing my new design;
 FIG. 2 is a top plan view of the chair frame of FIG. 1;
 FIG. 3 is a left side elevation of the chair frame of FIG. 1;
 FIG. 4 is a rear elevation of the chair frame of FIG. 1;
 FIG. 5 is a right side elevation of the chair frame of FIG. 1;
 FIG. 6 is a bottom plan view of the chair frame of FIG. 1; and,
 FIG. 7 is a right side perspective view of the rear elevation of the chair frame of FIG. 1.



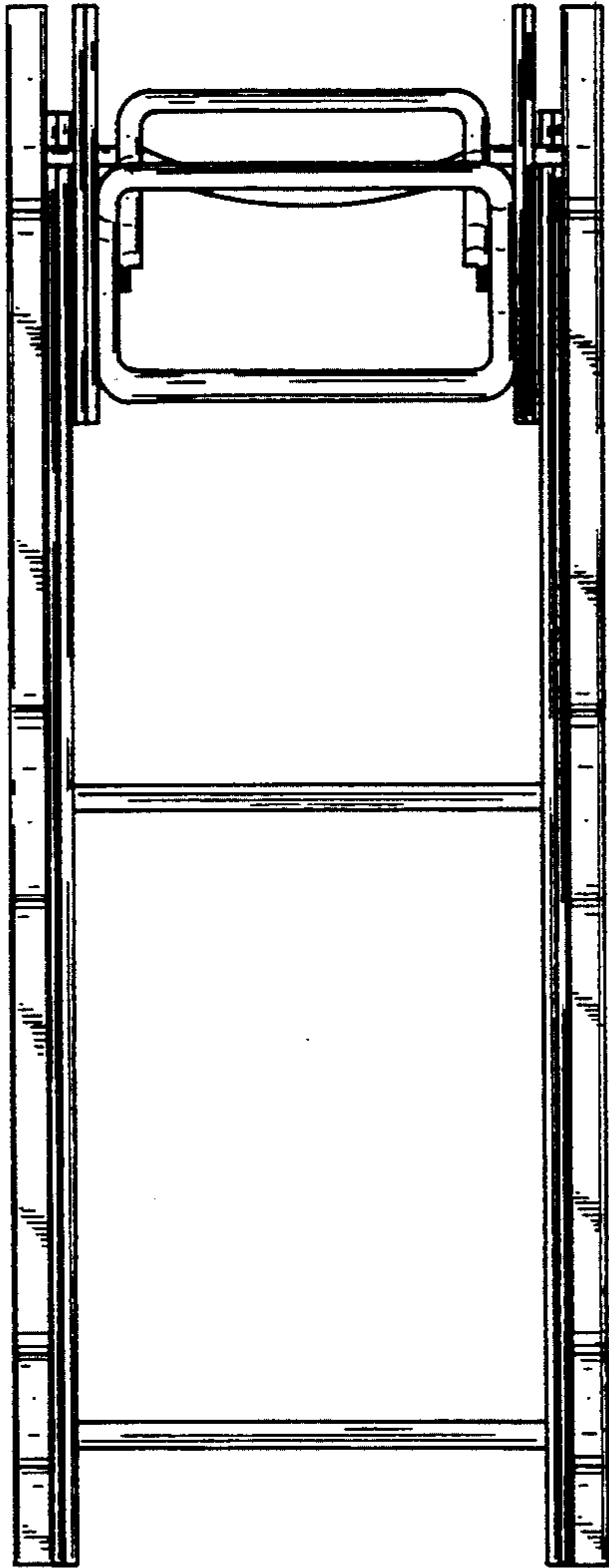


FIG. 1

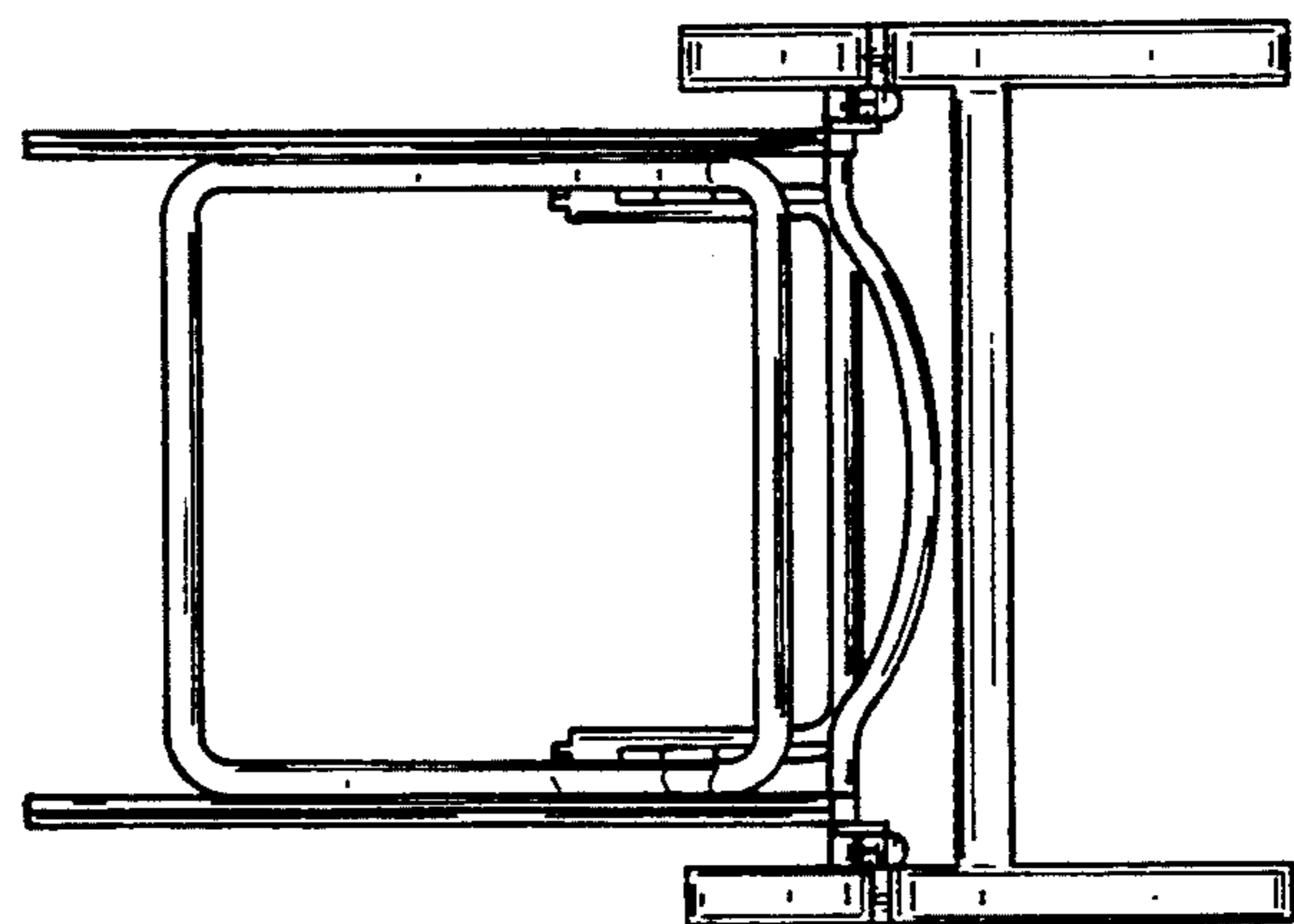


FIG. 2

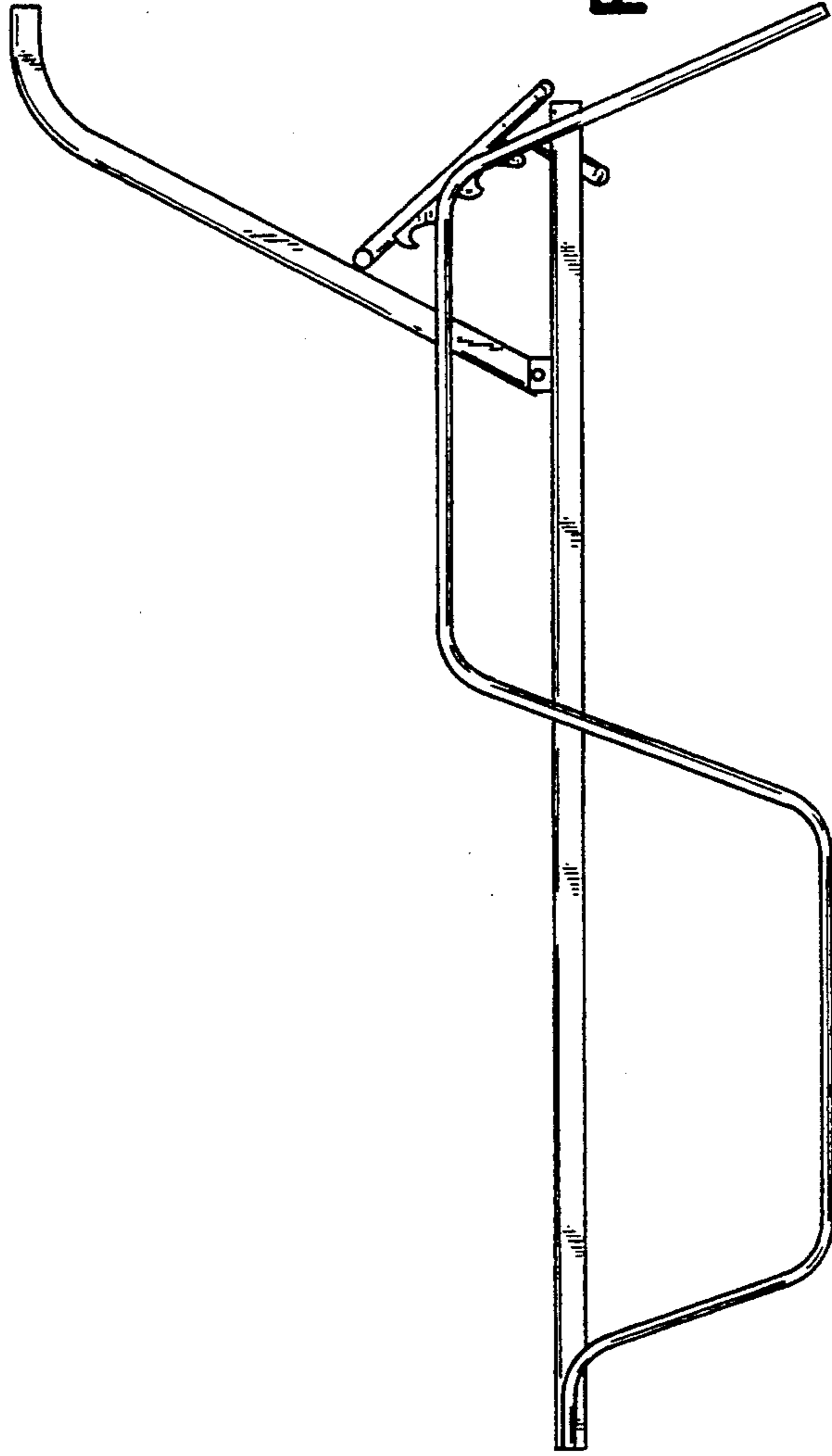


FIG. 3

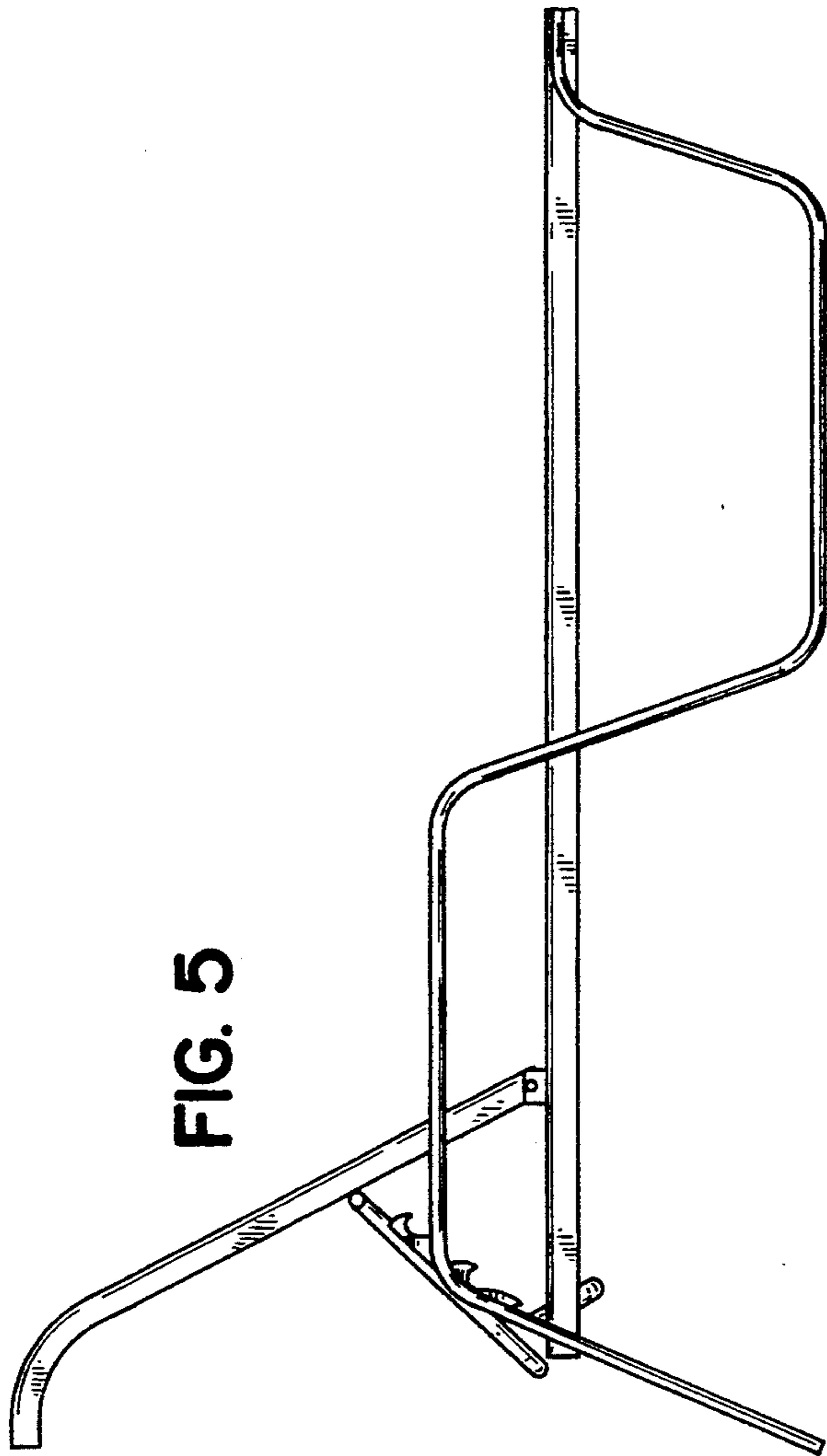


FIG. 5

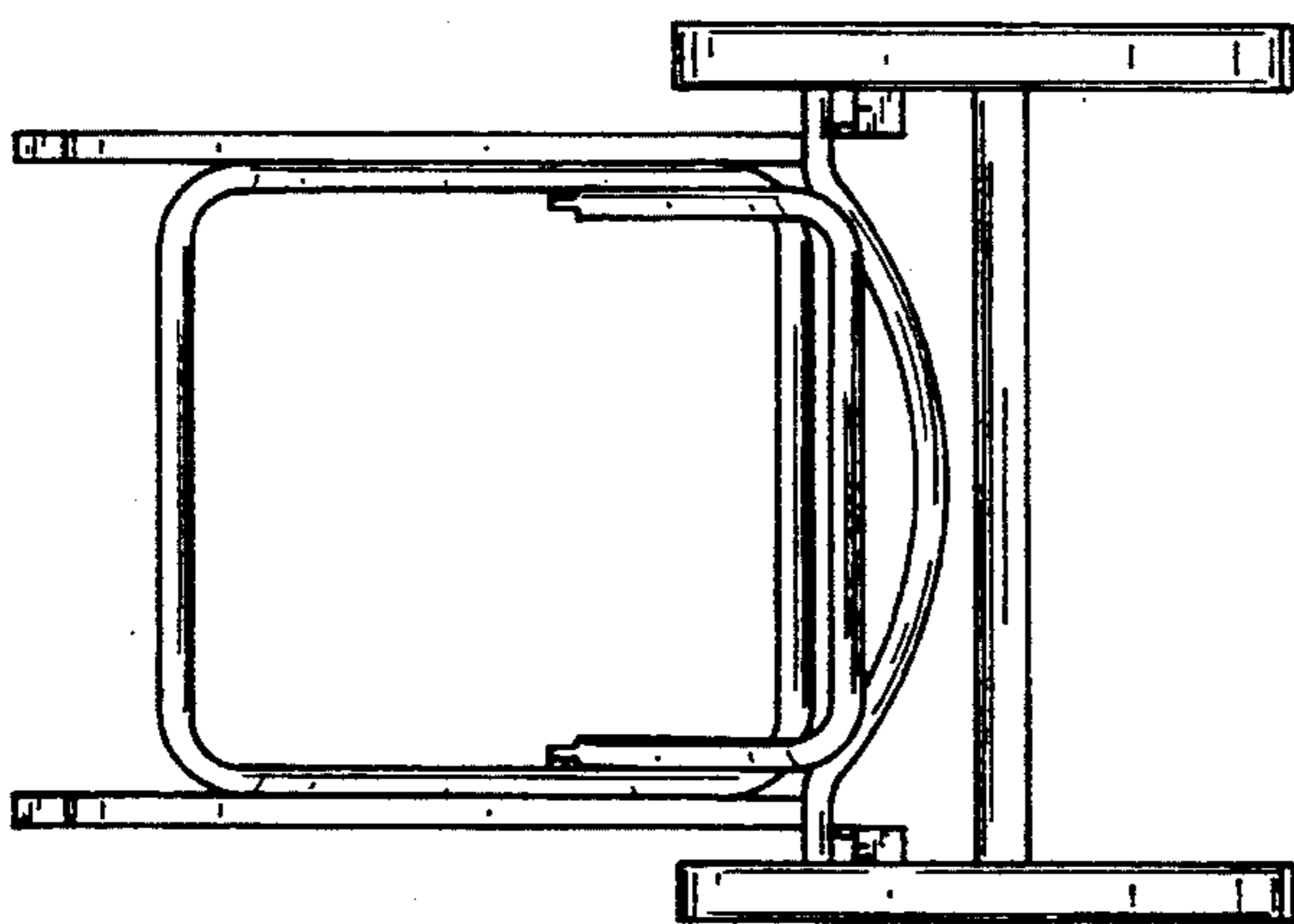


FIG. 4

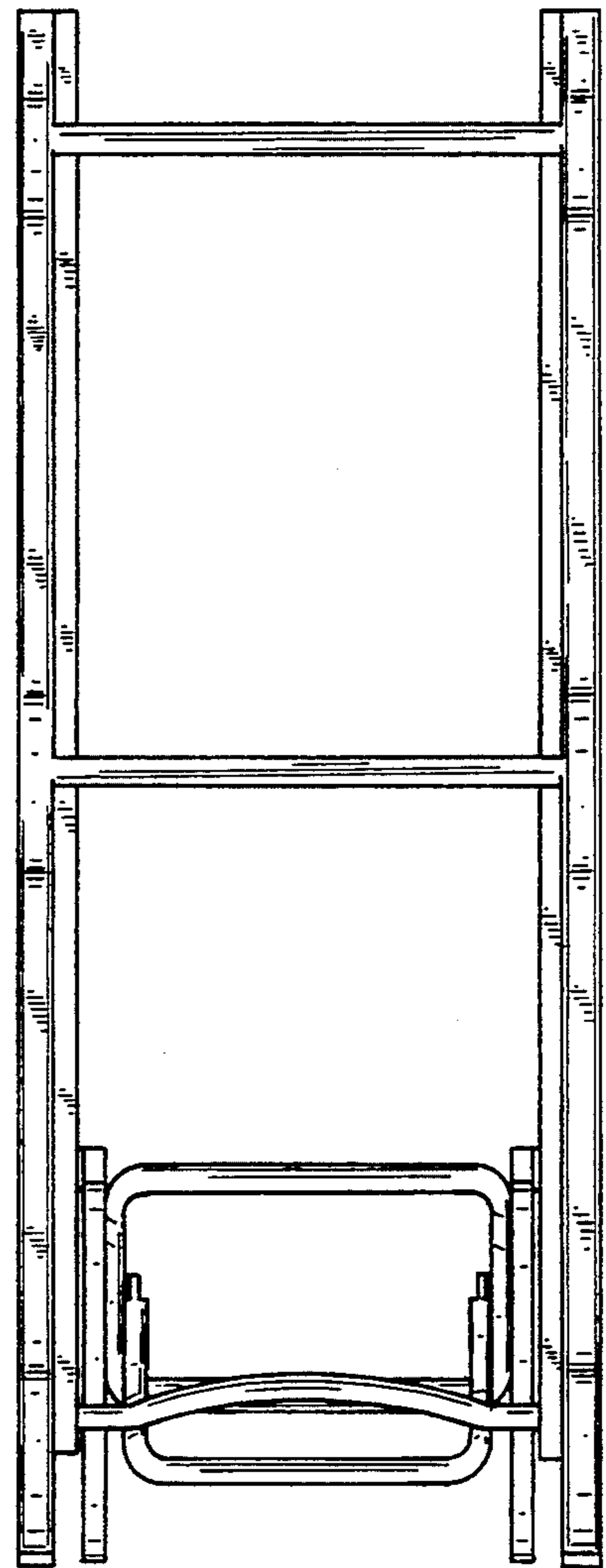


FIG. 6

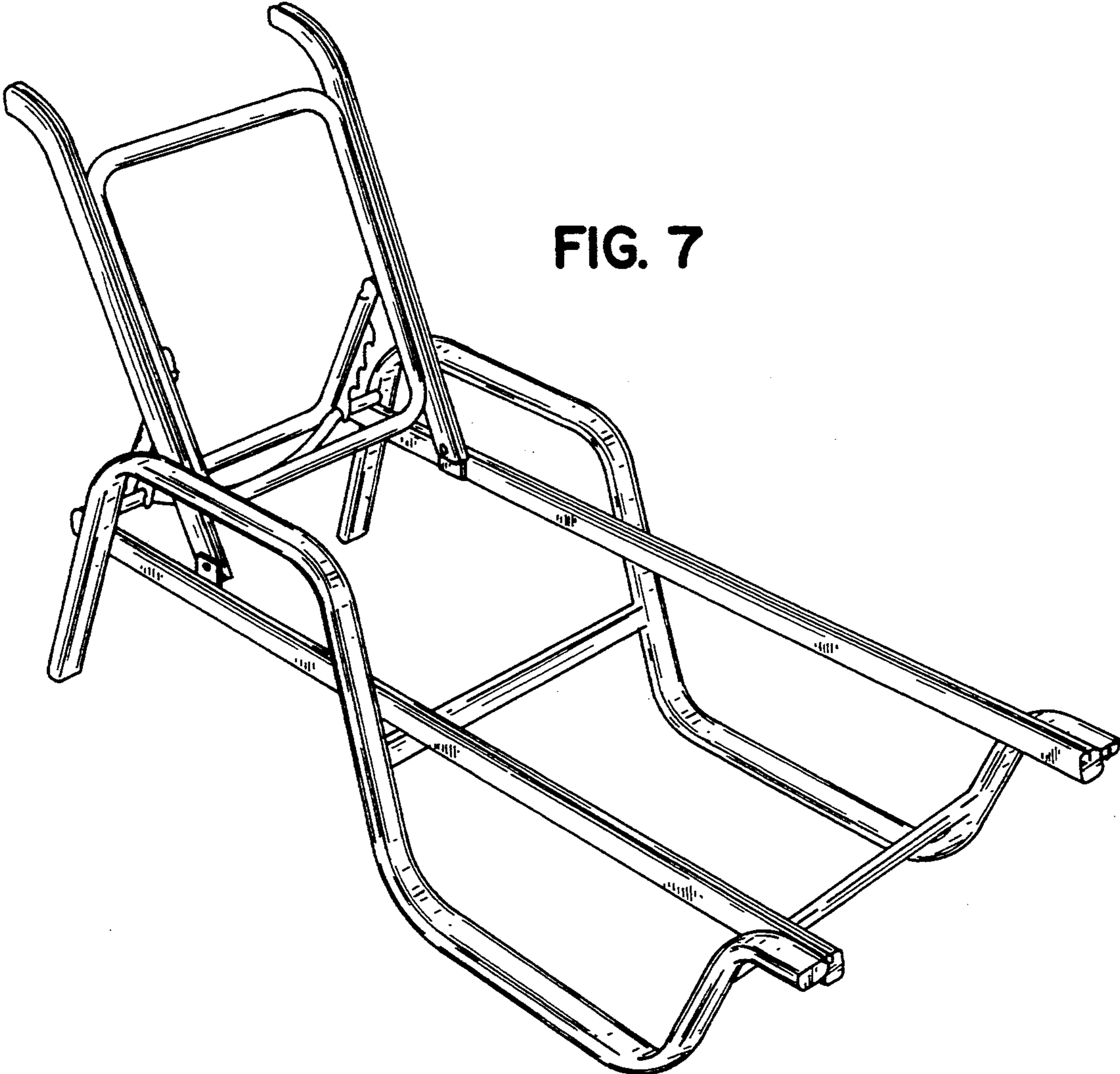


FIG. 7