



US00D357150S

United States Patent [19]

[11] Patent Number: Des. 357,150

Morand

[45] Date of Patent: ** Apr. 11, 1995

[54] **LARGE ROLL BATHROOM TISSUE DISPENSER WITH STUB ROLL HOLDER**

3,523,653	8/1970	Hansen .
3,923,223	12/1975	Larsson et al. .
4,579,266	4/1986	Bunger et al. .
4,796,832	1/1989	Schutz et al. .
4,846,412	7/1989	Morand 312/34.22 X
4,872,601	10/1989	Sigmund .
5,058,792	10/1991	Morand .
5,172,840	12/1992	Bloch et al. .

[75] Inventor: Michel Morand, Montreal, Canada

[73] Assignee: Wyant & Company Limited, Lachine, Canada

[**] Term: 14 Years

[21] Appl. No.: 23,774

[22] Filed: Jun. 1, 1994

[52] U.S. Cl. D6/520

[58] Field of Search D6/518, 520, 522-523; 312/34.1, 34.8, 34.22; 225/6, 34; 206/389, 391

[56] **References Cited**

U.S. PATENT DOCUMENTS

D. 312,739	12/1990	Sigmund	D6/523
949,553	2/1910	Smith .	
1,234,746	7/1917	Fish .	
1,415,722	5/1922	Silverman .	
2,416,115	2/1947	Neuman .	
2,541,222	2/1951	Egart et al. .	
2,565,994	8/1951	Sevenich .	
2,576,254	11/1951	Fletcher .	
3,001,736	9/1961	Schultz et al. .	

FOREIGN PATENT DOCUMENTS

2063213 6/1981 United Kingdom .

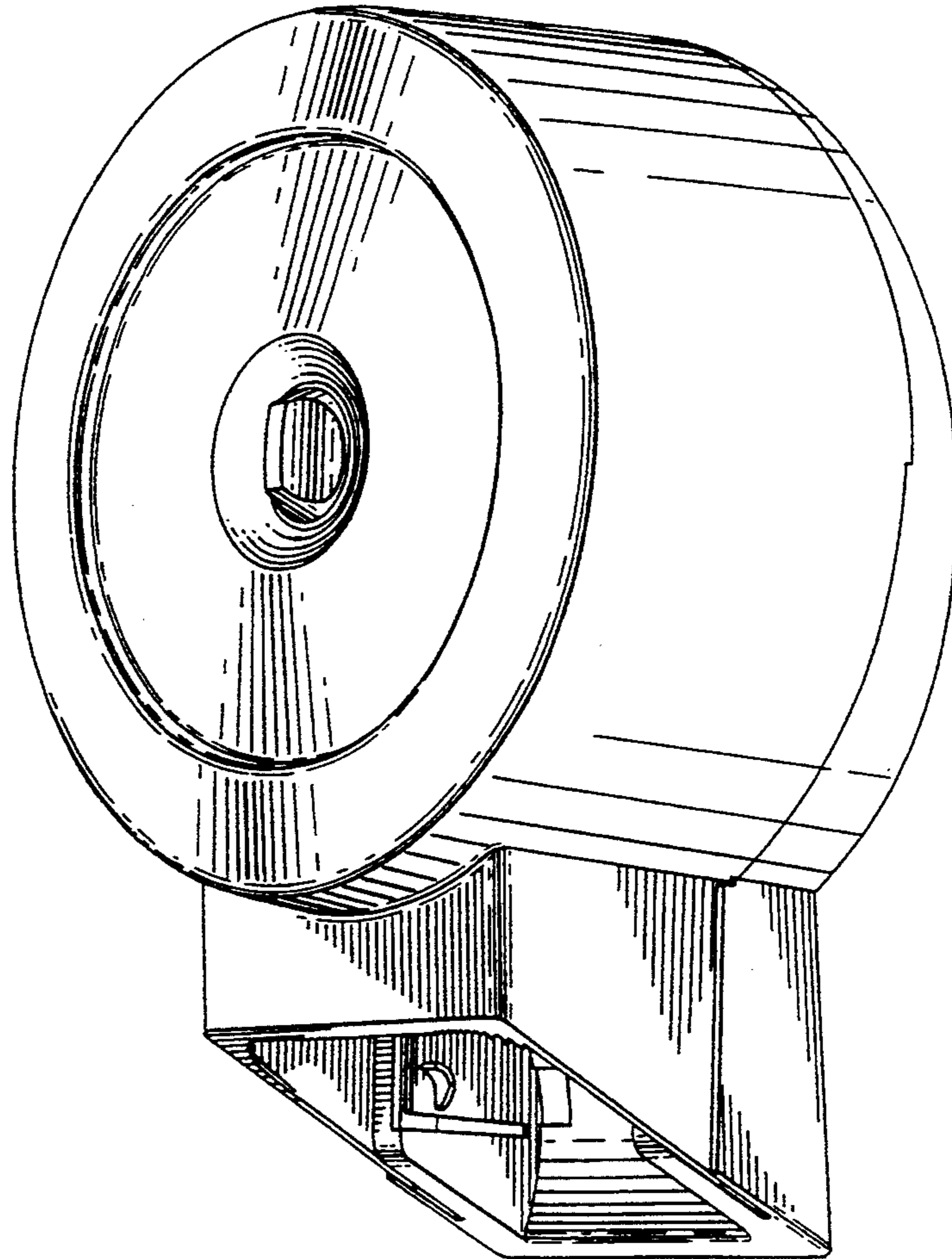
Primary Examiner—Brian N. Vinson
Attorney, Agent, or Firm—Larson and Taylor

[57] CLAIM

The ornamental design of a large roll bathroom tissue dispenser with stub roll holder, as shown and described.

DESCRIPTION

FIG. 1 is a perspective view of the holder;
FIG. 2 is a front view;
FIG. 3 is a rear view;
FIG. 4 is a top view;
FIG. 5 is a bottom view; and,
FIG. 6 is a side view.



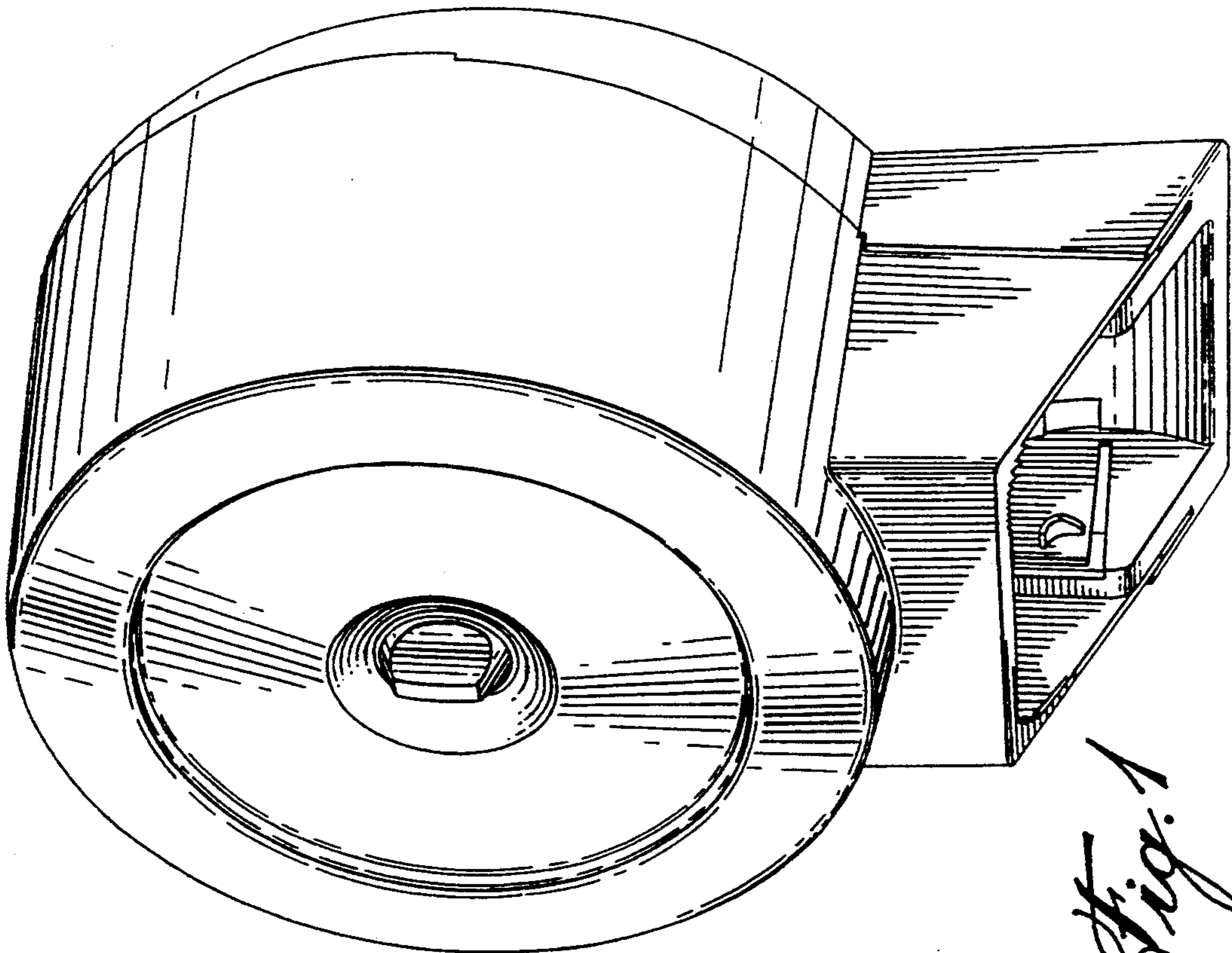


Fig. 1

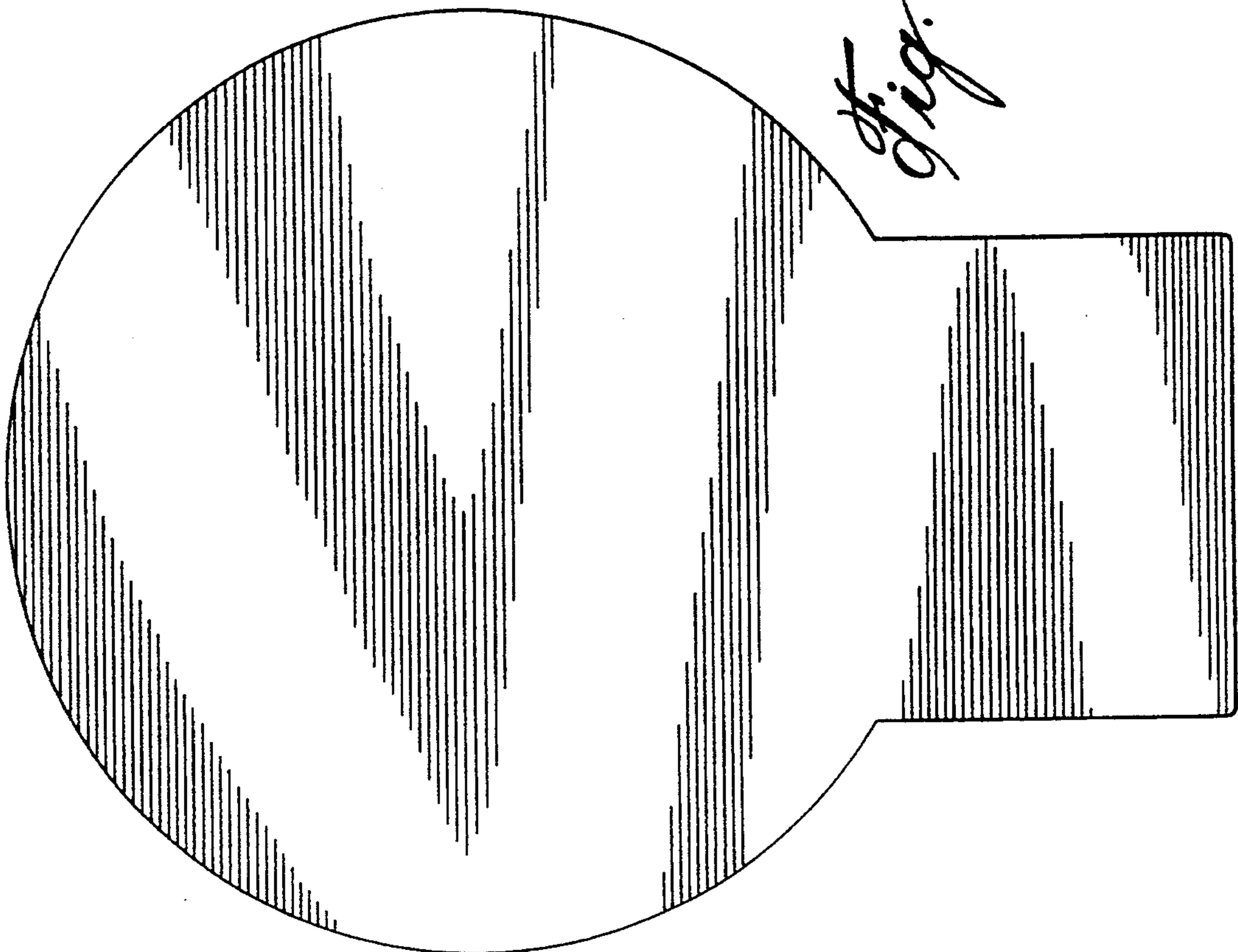


Fig. 3

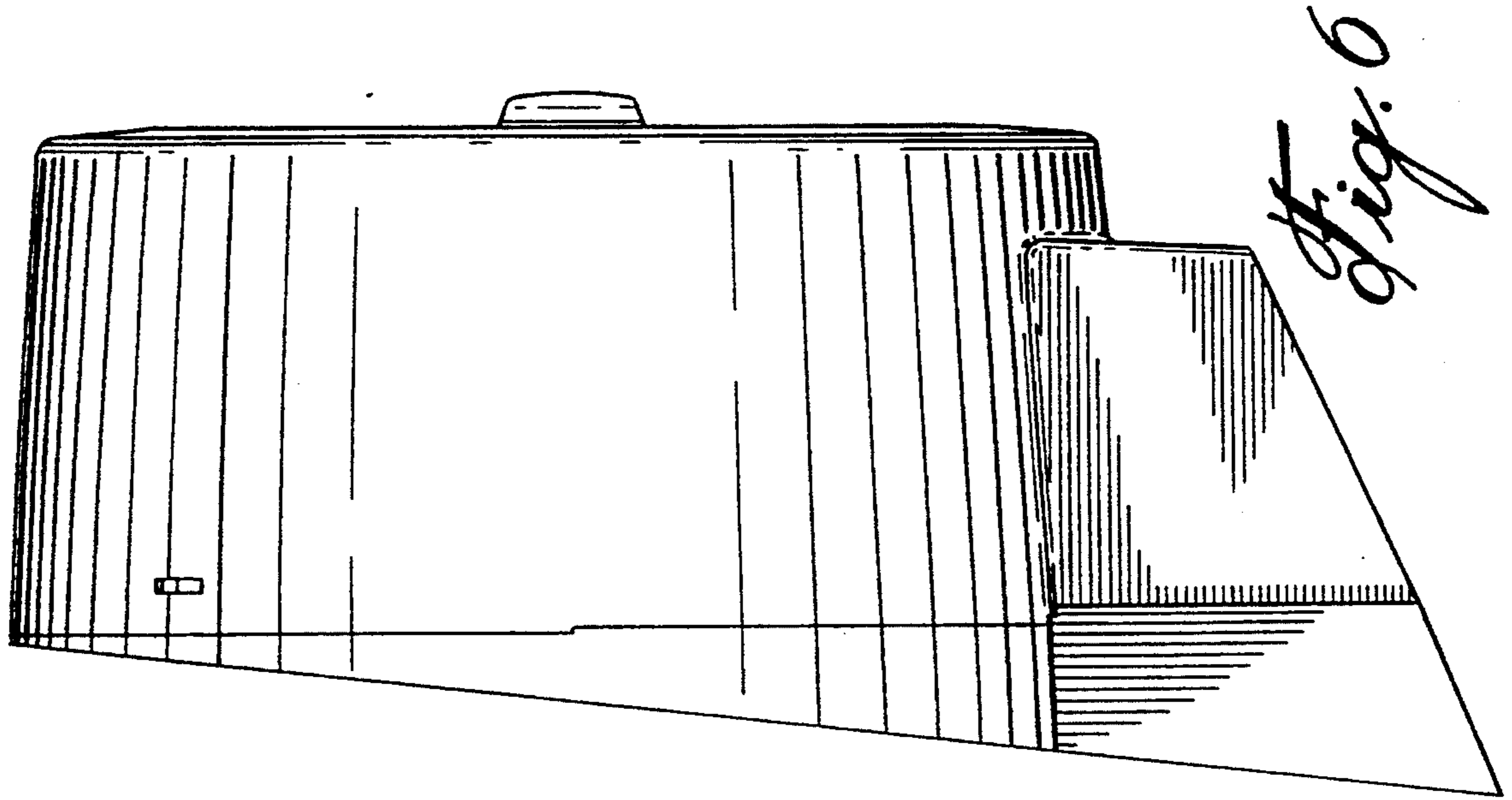


Fig. 6

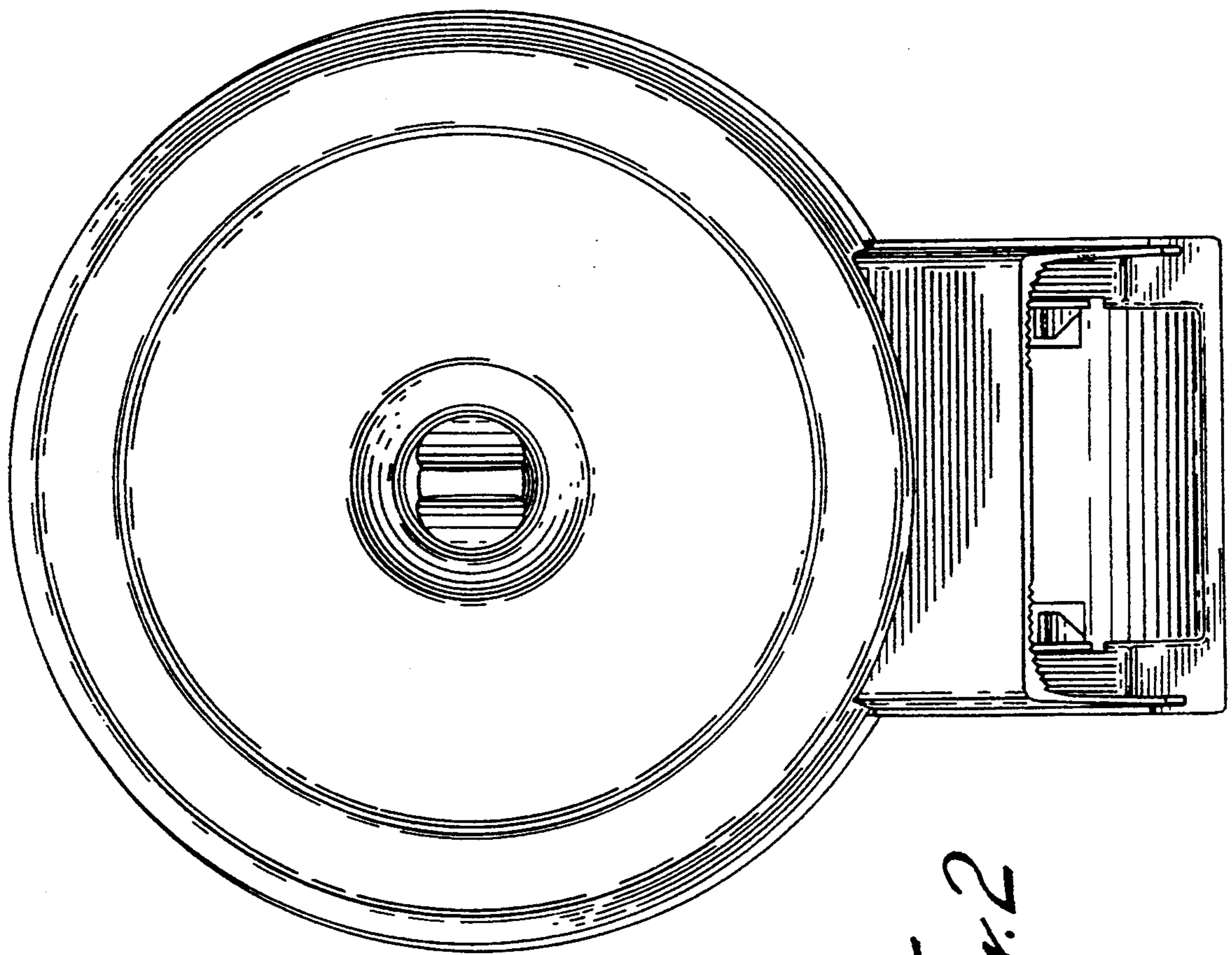


Fig. 2

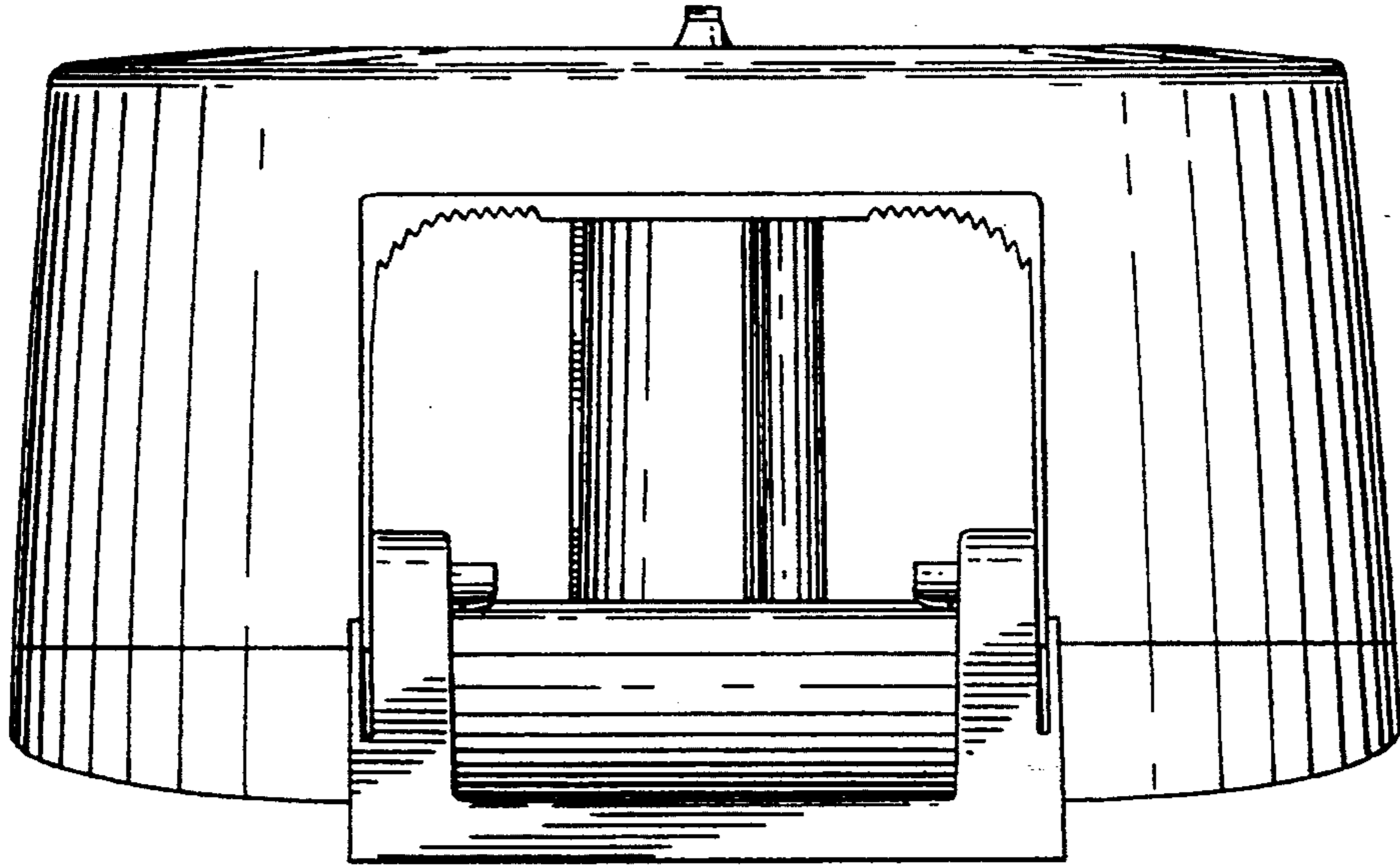


Fig. 5

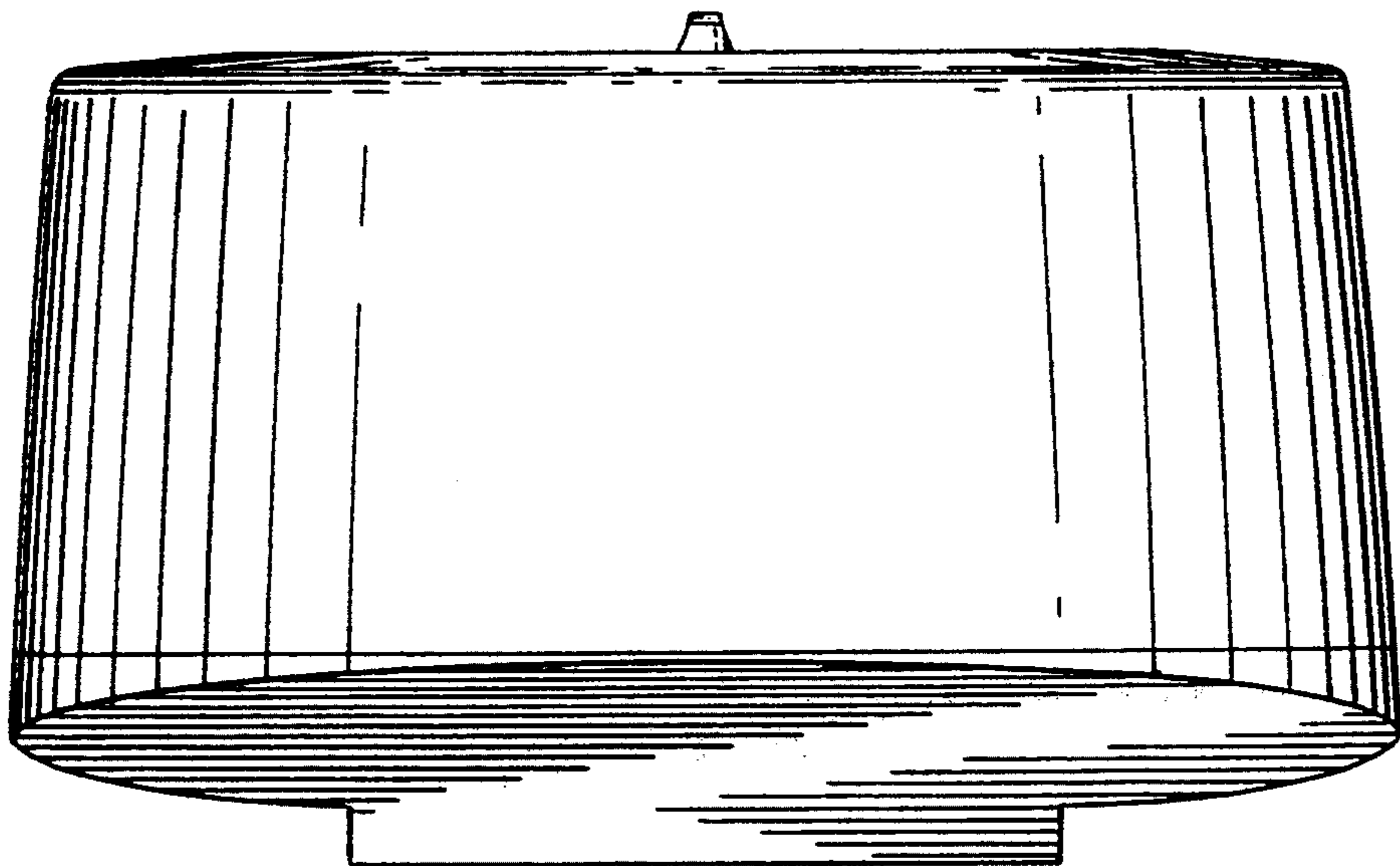


Fig. 4