



US00D357143S

United States Patent [19]

[11] Patent Number: **Des. 357,143**

Woolard

[45] Date of Patent: **** Apr. 11, 1995**

[54] TV TRAY STAND

[76] Inventor: **Iris F. Woolard**, 644 E. Maple St.,
Oxnard, Calif. 93033

[**] Term: **14 Years**

[21] Appl. No.: **2,783**

[22] Filed: **Feb. 22, 1993**

[52] U.S. Cl. **D6/467**

[58] Field of Search **D7/556, 552-554;**
D6/464-470, 449; 211/126, 132, 133, 13

[56] References Cited

U.S. PATENT DOCUMENTS

D. 179,830	3/1957	Wilson	D6/429
D. 186,366	10/1959	Wilson	D6/429
D. 187,233	2/1960	Block	D6/429
D. 304,239	10/1989	Miller	D6/449 X
2,919,809	1/1960	Dunbar	211/13
3,106,295	10/1963	Berlin	211/132
3,106,296	10/1963	Walsh et al.	211/132

OTHER PUBLICATIONS

Harriet Carter Magazine, p. 93.

Primary Examiner—Alan P. Douglas

Assistant Examiner—S. Snapp

Attorney, Agent, or Firm—Albert O. Cota

[57] CLAIM

The ornamental design for a TV tray stand, as shown and described.

DESCRIPTION

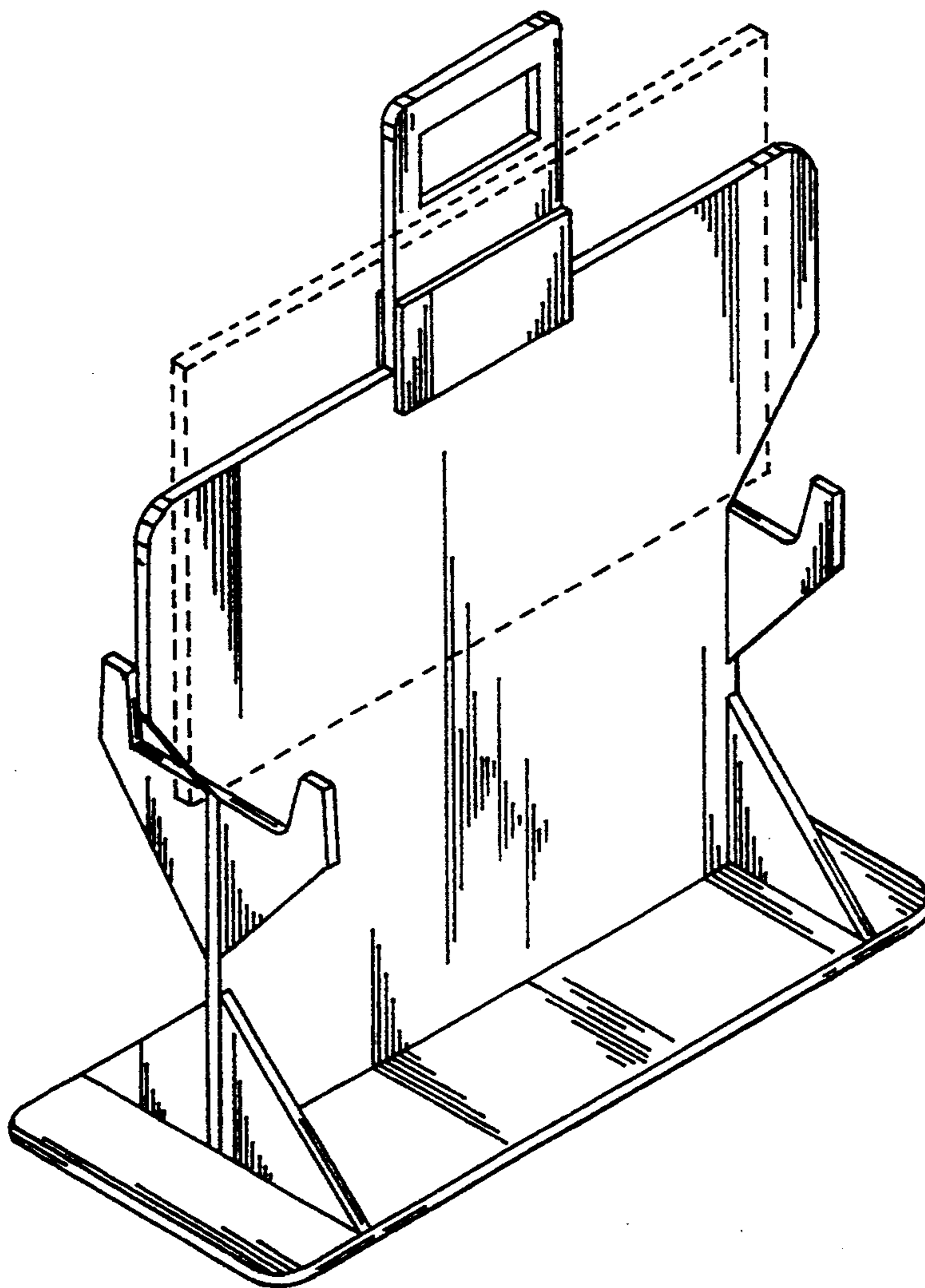
FIG. 1 is a perspective view of a TV tray stand showing my new design. The broken lines depicting a typical TV tray are for environmental purposes only and forms no part of the claimed design;

FIG. 2 is a front elevational view of my design, the back elevational view being a mirror image thereof;

FIG. 3 is a bottom plan view thereof;

FIG. 4 is a top plan view thereof; and,

FIG. 5 is a side elevational view of my design, the opposite side being a mirror image thereof.



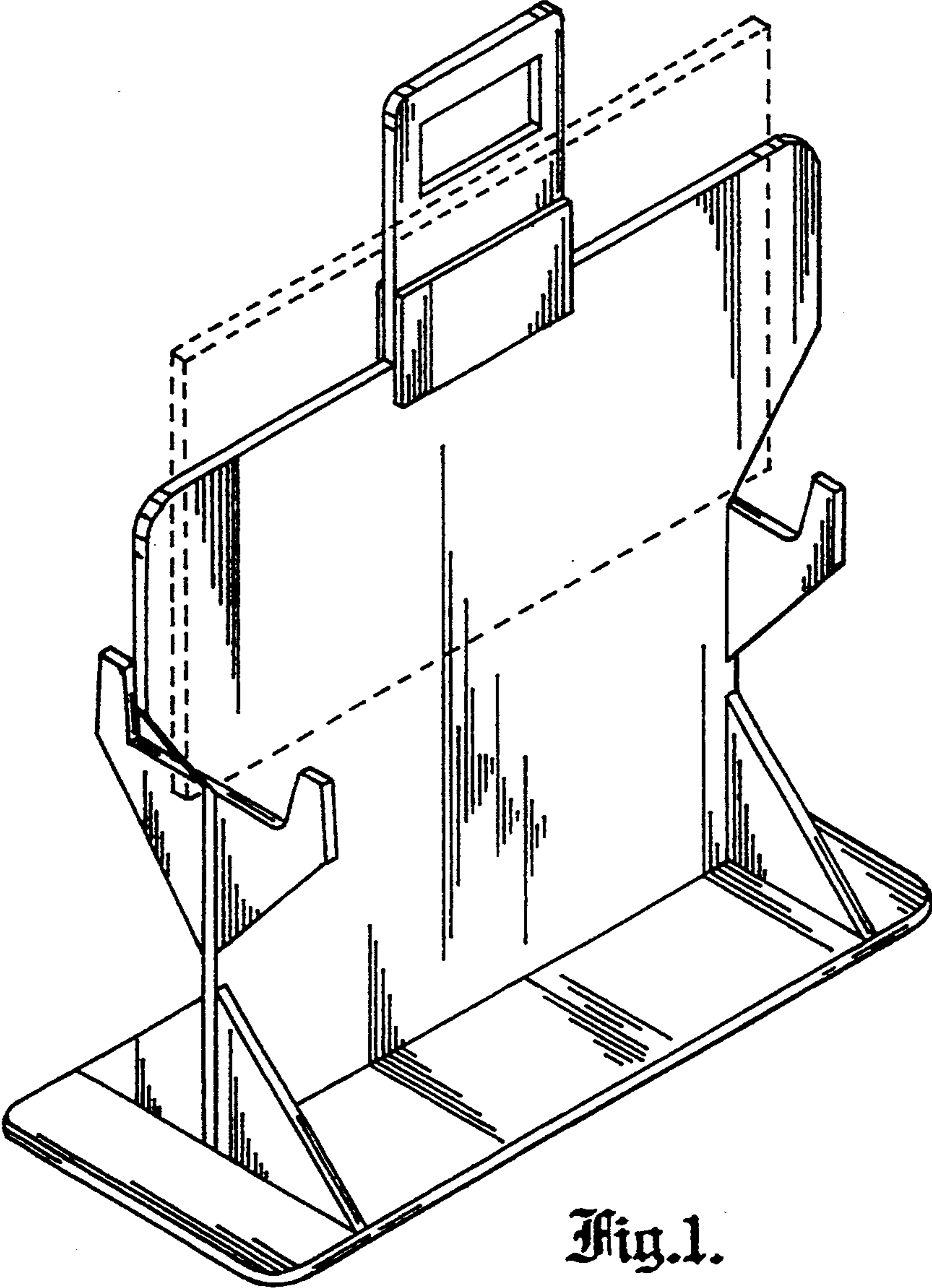


Fig. 1.

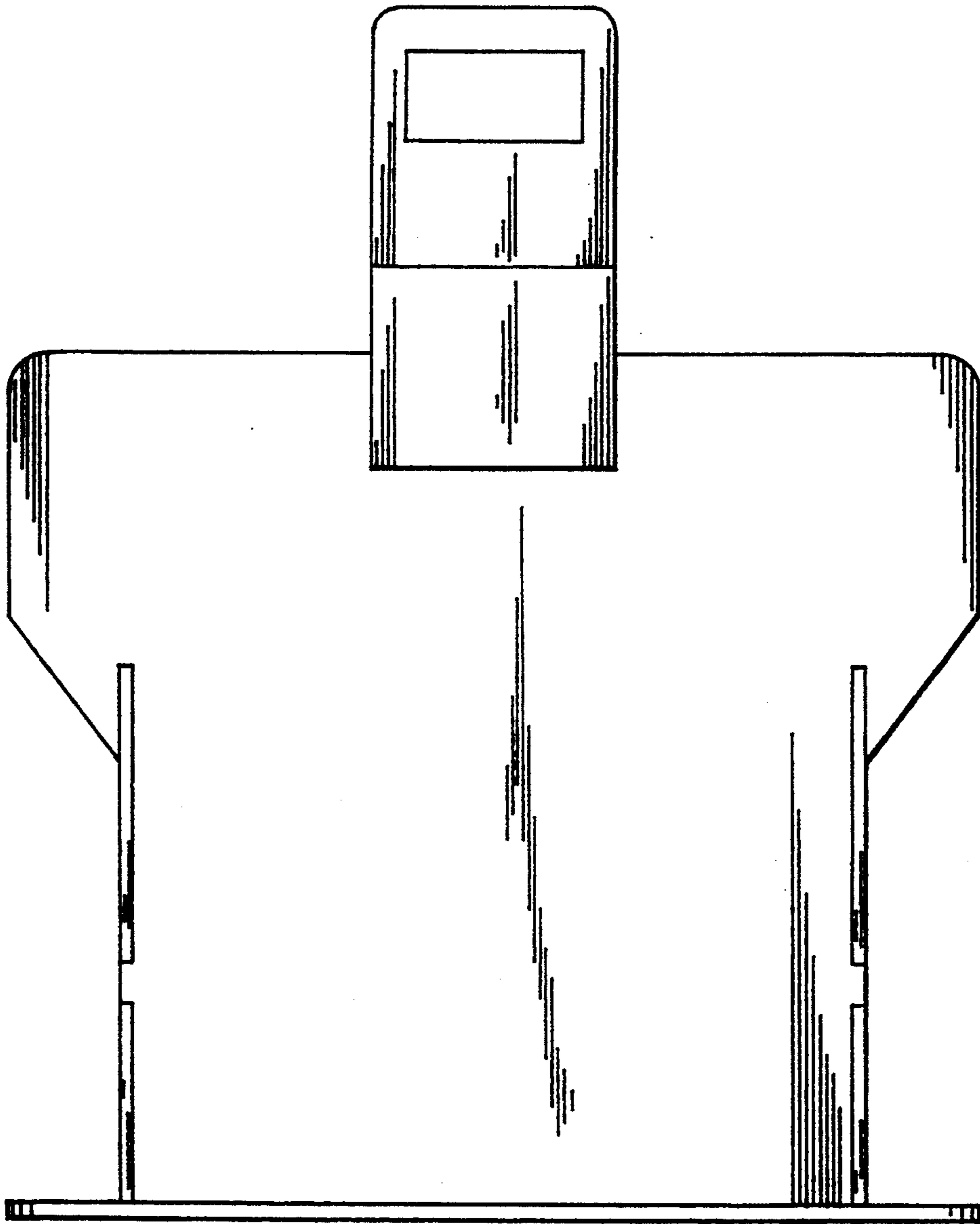


Fig. 2.

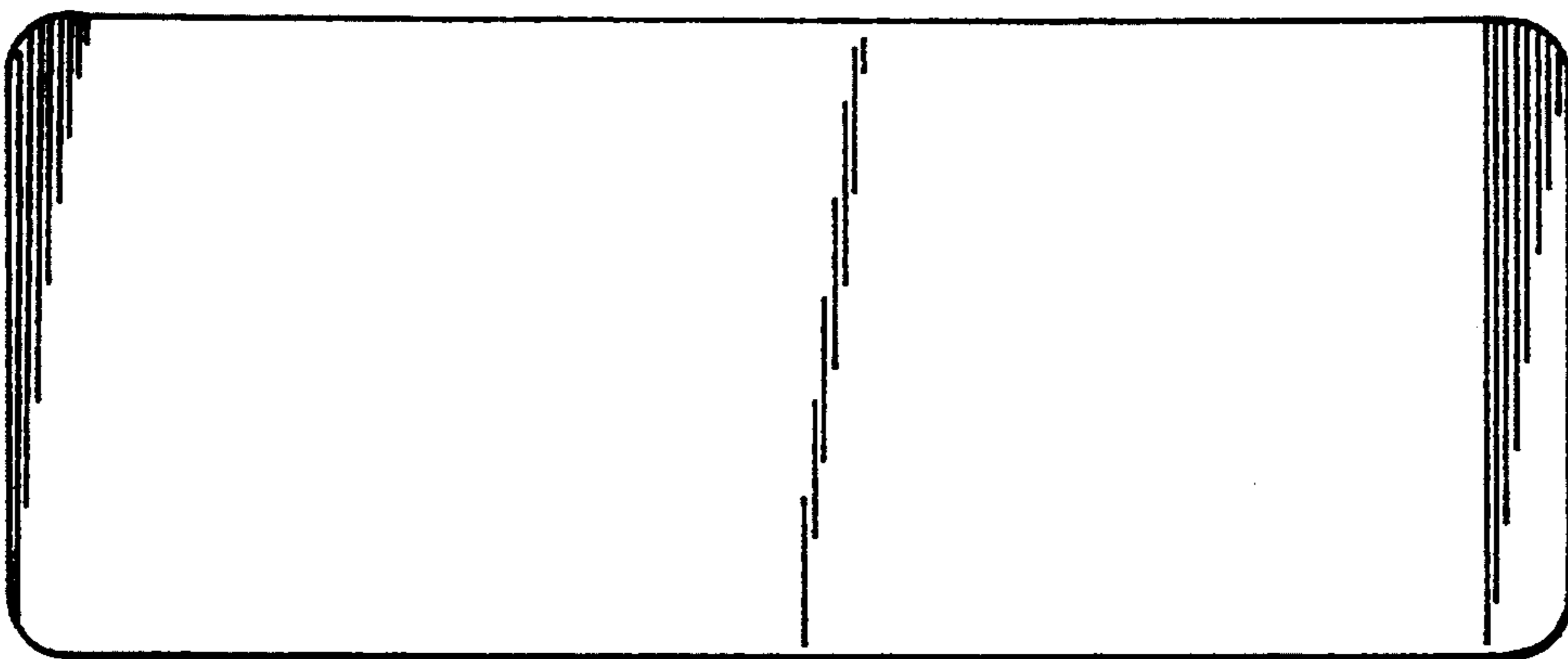


Fig. 3.

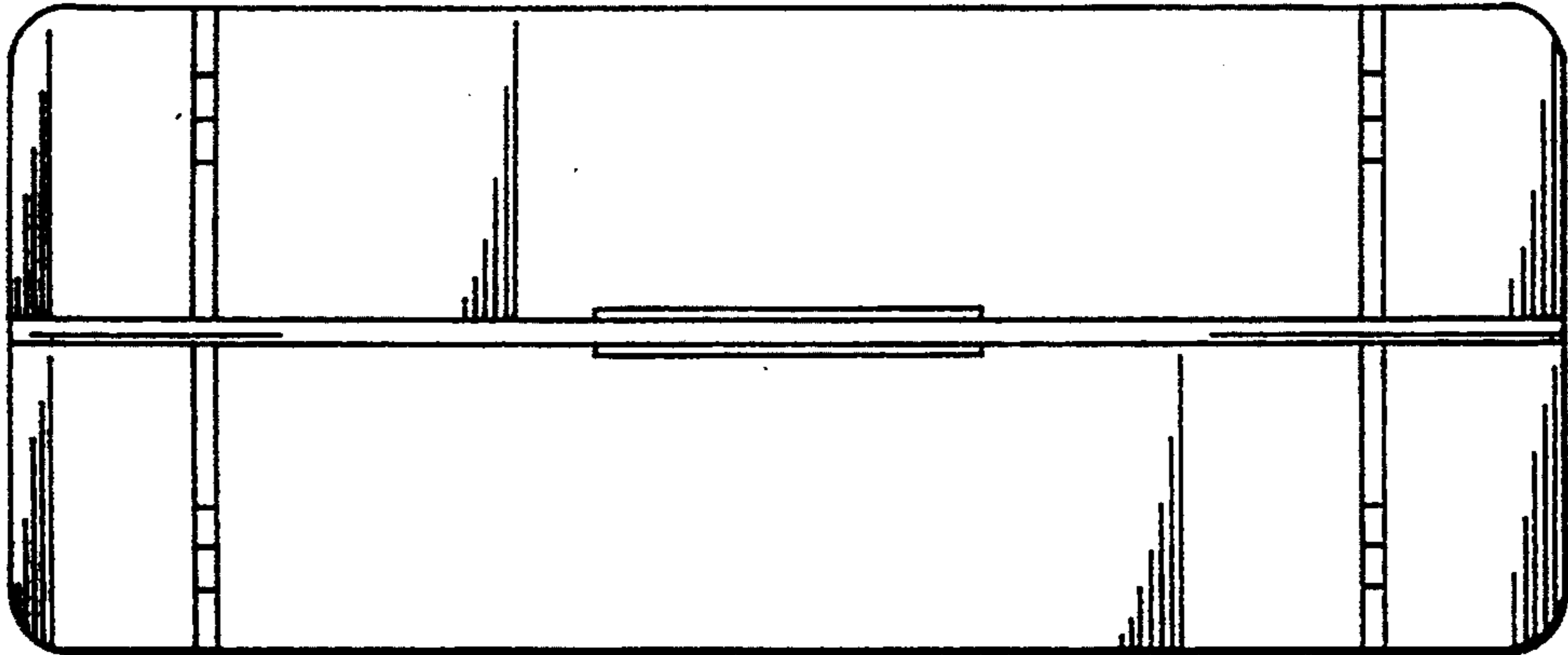


Fig. 4.

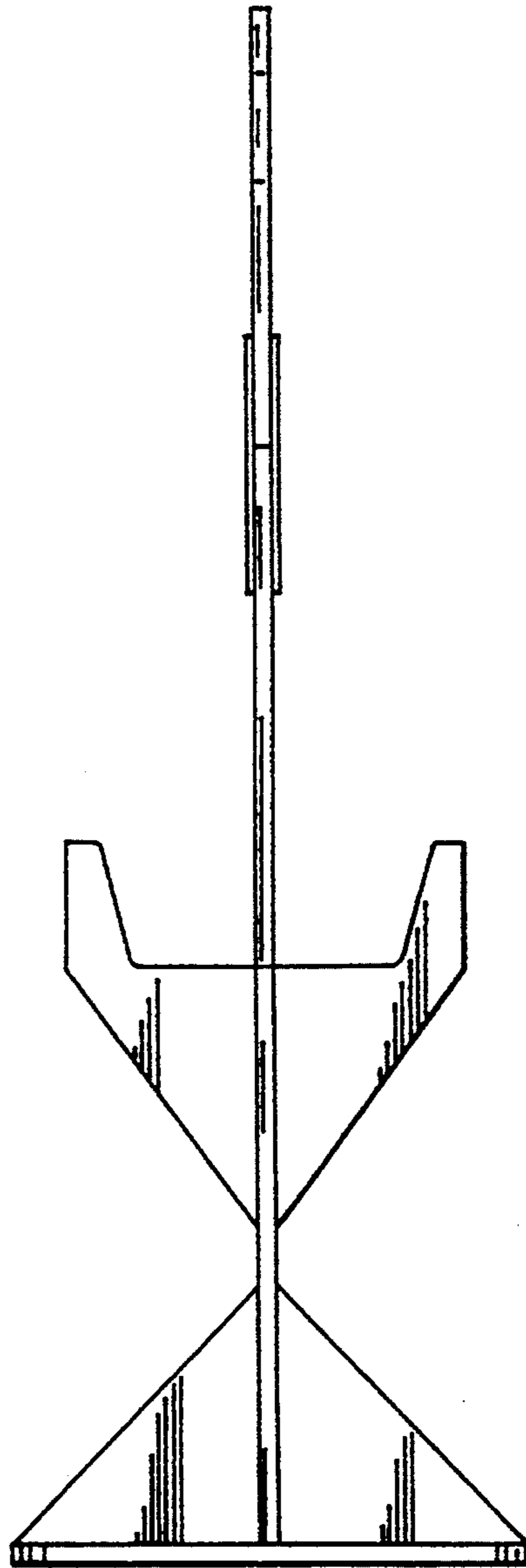


Fig. 5.