



US00D357141S

# United States Patent [19] Park

[11] Patent Number: **Des. 357,141**  
[45] Date of Patent: **\*\* Apr. 11, 1995**

[54] **OFFICE DESK**

[75] Inventor: **Antonius A. V. Park**, Oakville,  
Canada

[73] Assignee: **Nova-Link Limited**, Mississauga,  
Canada

[\*\*] Term: **14 Years**

[21] Appl. No.: **24,093**

[22] Filed: **Jun. 8, 1994**

**Related U.S. Application Data**

[62] Division of Ser. No. 842,574, Feb. 25, 1992, Pat. No.  
Des. 347,949.

[52] U.S. Cl. .... **D6/431**

[58] Field of Search ..... **D6/422-431,**  
**D6/480; 312/194-196; 108/59, 60, 1-9**

[56] **References Cited**

**U.S. PATENT DOCUMENTS**

D. 221,086 7/1971 Fossella ..... D6/429 X

D. 270,787 10/1983 Umanoff et al. .... D6/480 X  
D. 308,922 7/1990 Ng et al. .... D6/429  
D. 334,677 4/1993 Hinden ..... D6/484  
3,794,397 2/1974 Flototto ..... 312/194 X  
4,248,161 2/1981 Adair et al. .... 108/6  
4,440,096 4/1984 Rice et al. .... 108/3

**FOREIGN PATENT DOCUMENTS**

3737872 5/1989 Germany ..... 312/195

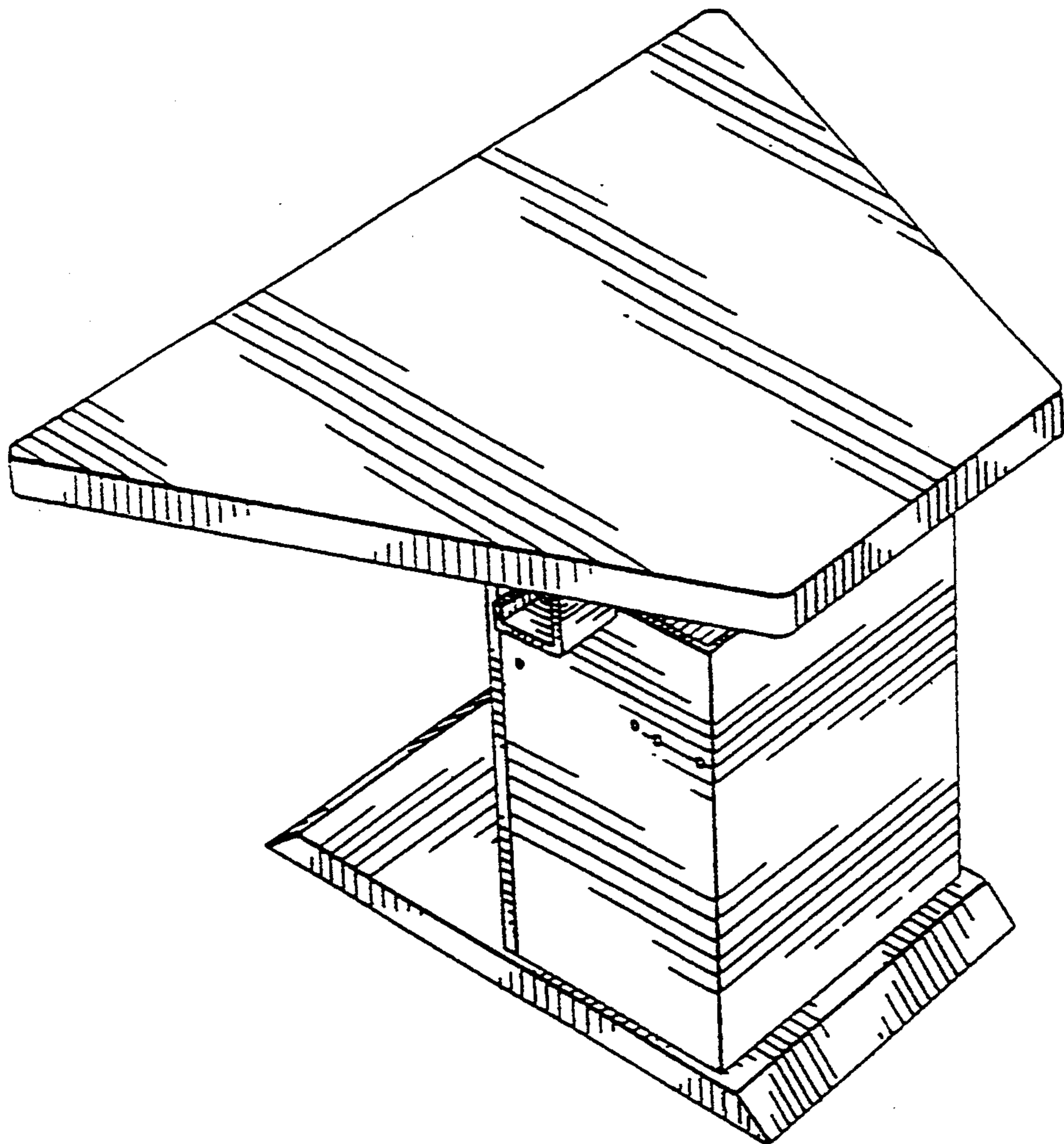
*Primary Examiner*—Carmen H. Vales-Lado  
*Attorney, Agent, or Firm*—Maurice U. Cahn; Beveridge,  
DeGrandi, Weilacher & Young

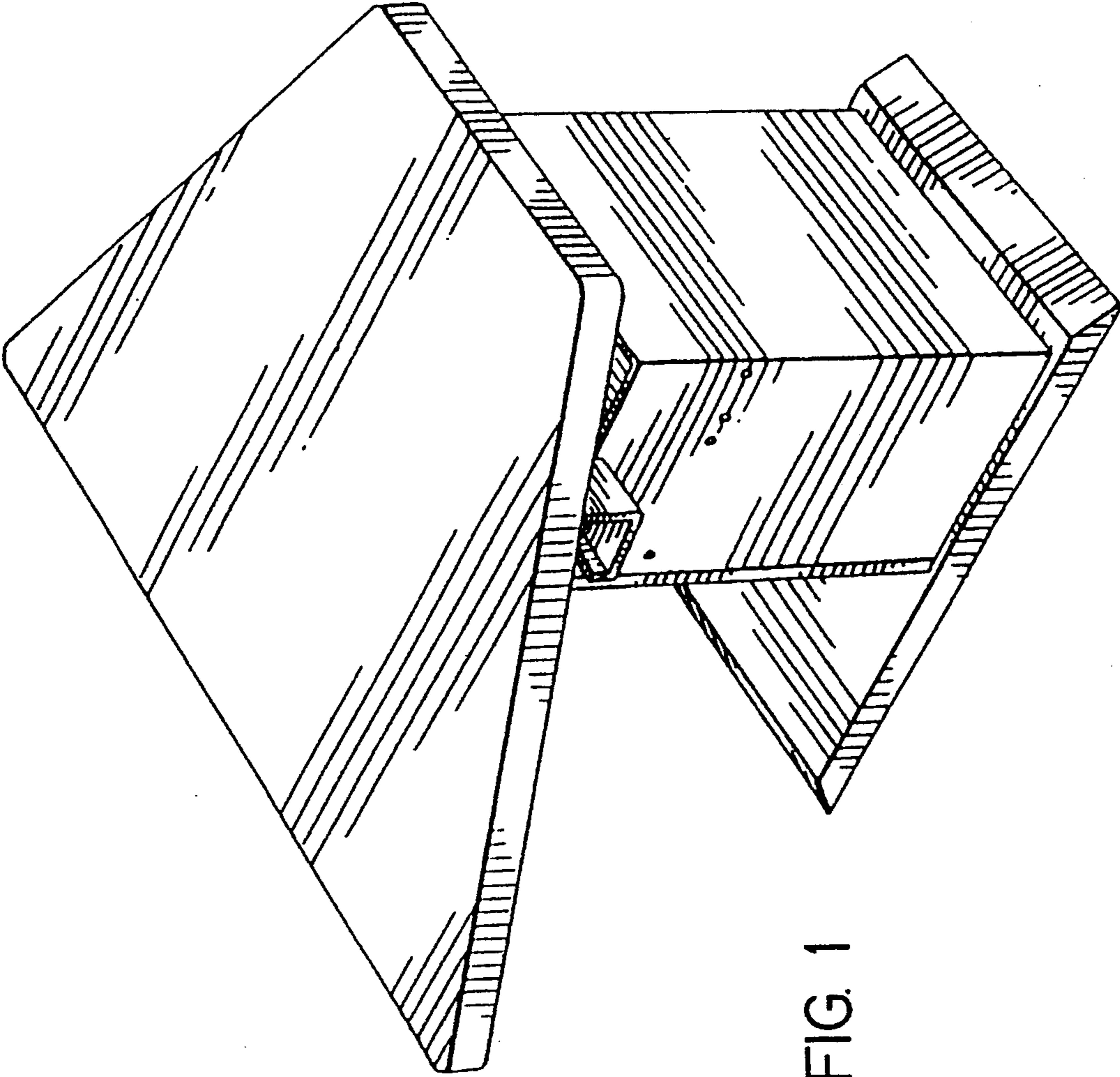
[57] **CLAIM**

The ornamental design for an office desk, as shown.

**DESCRIPTION**

FIG. 1 is a top, front perspective view of an office desk showing my new design;  
FIG. 2 is a bottom, rear perspective view thereof;  
FIG. 3 is a rear elevational view thereof;  
FIG. 4 is a right side elevational view thereof;  
FIG. 5 is a front elevational view thereof; and,  
FIG. 6 is a top plan view thereof.





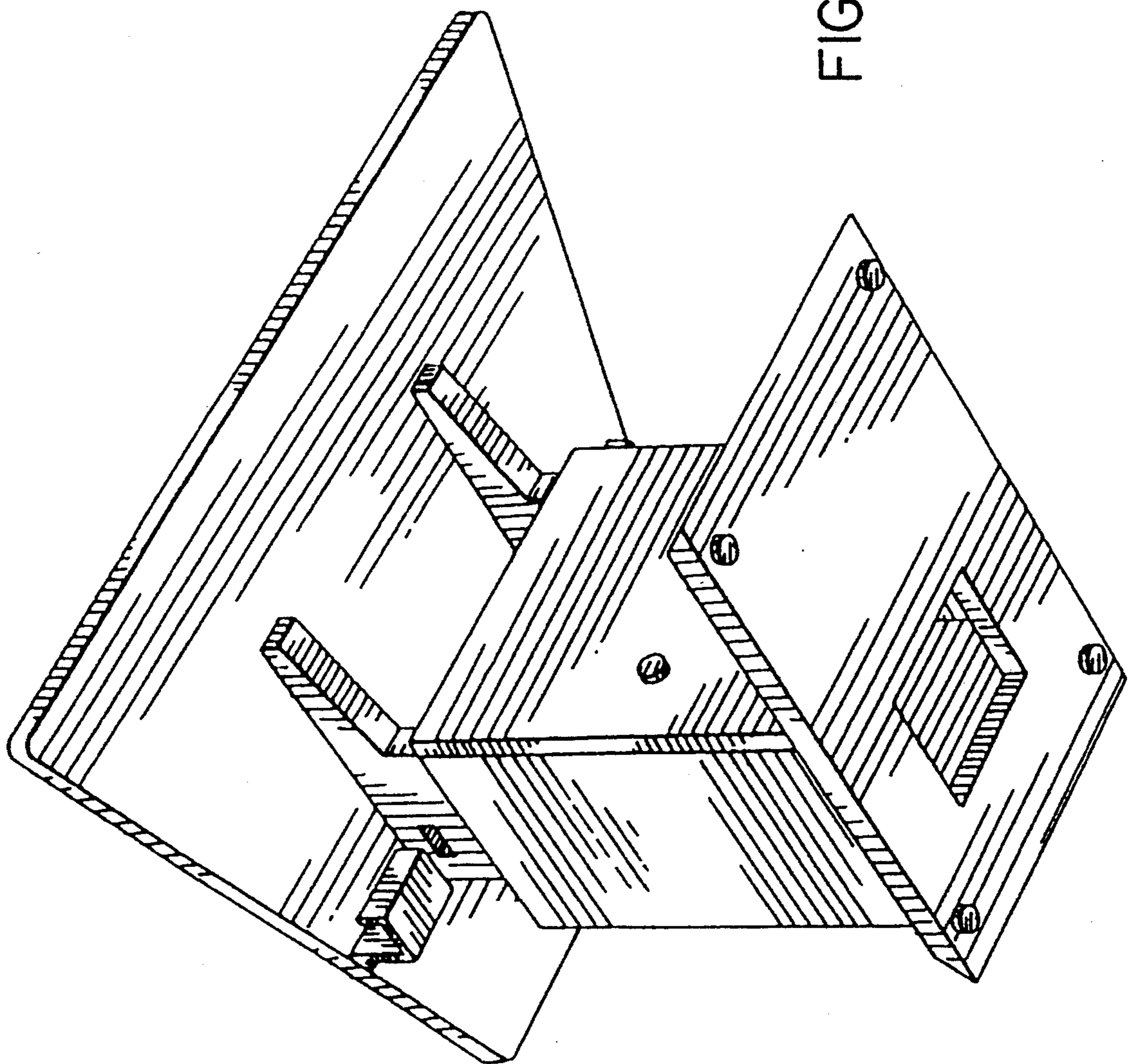


FIG. 2

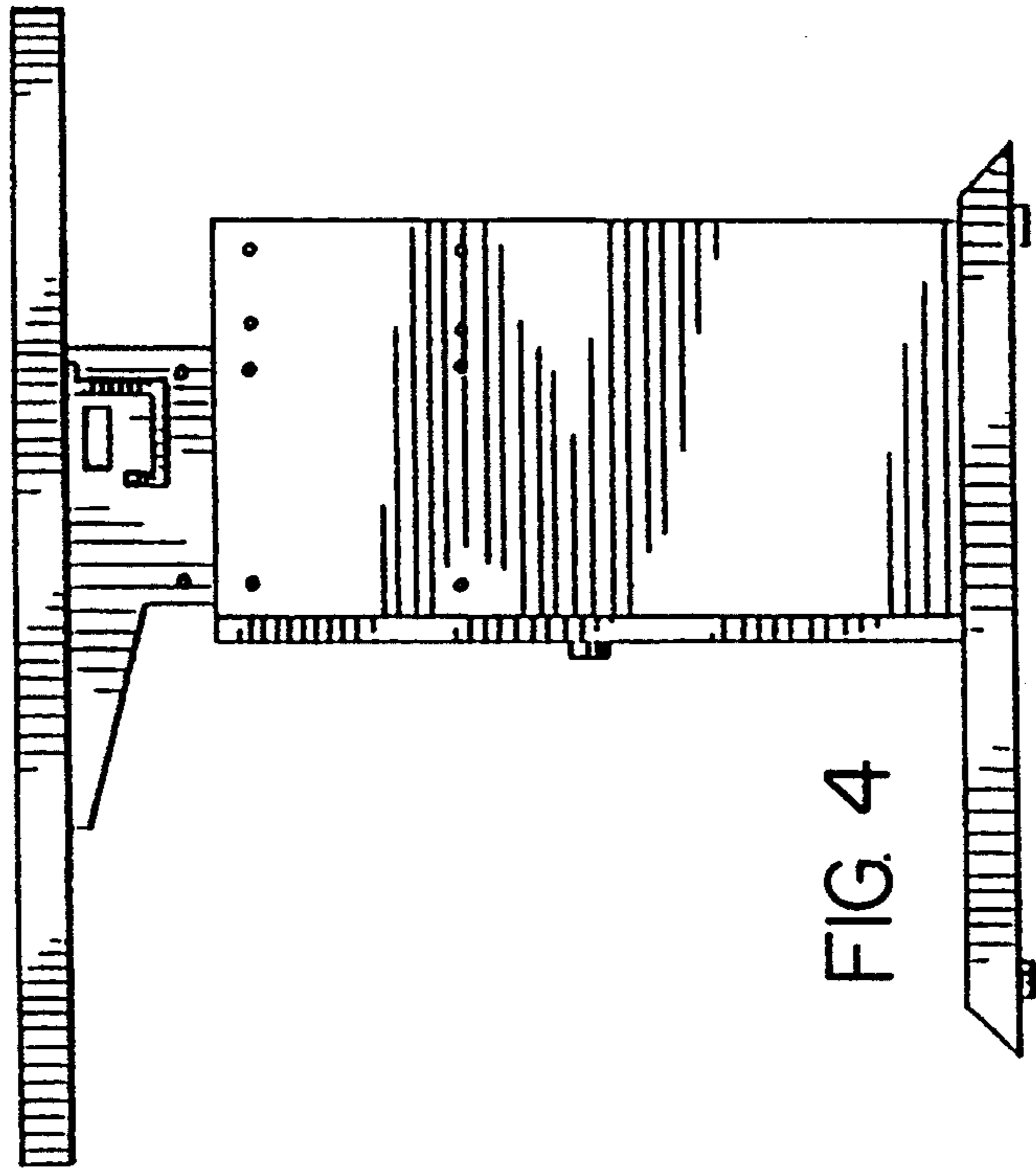


FIG. 4

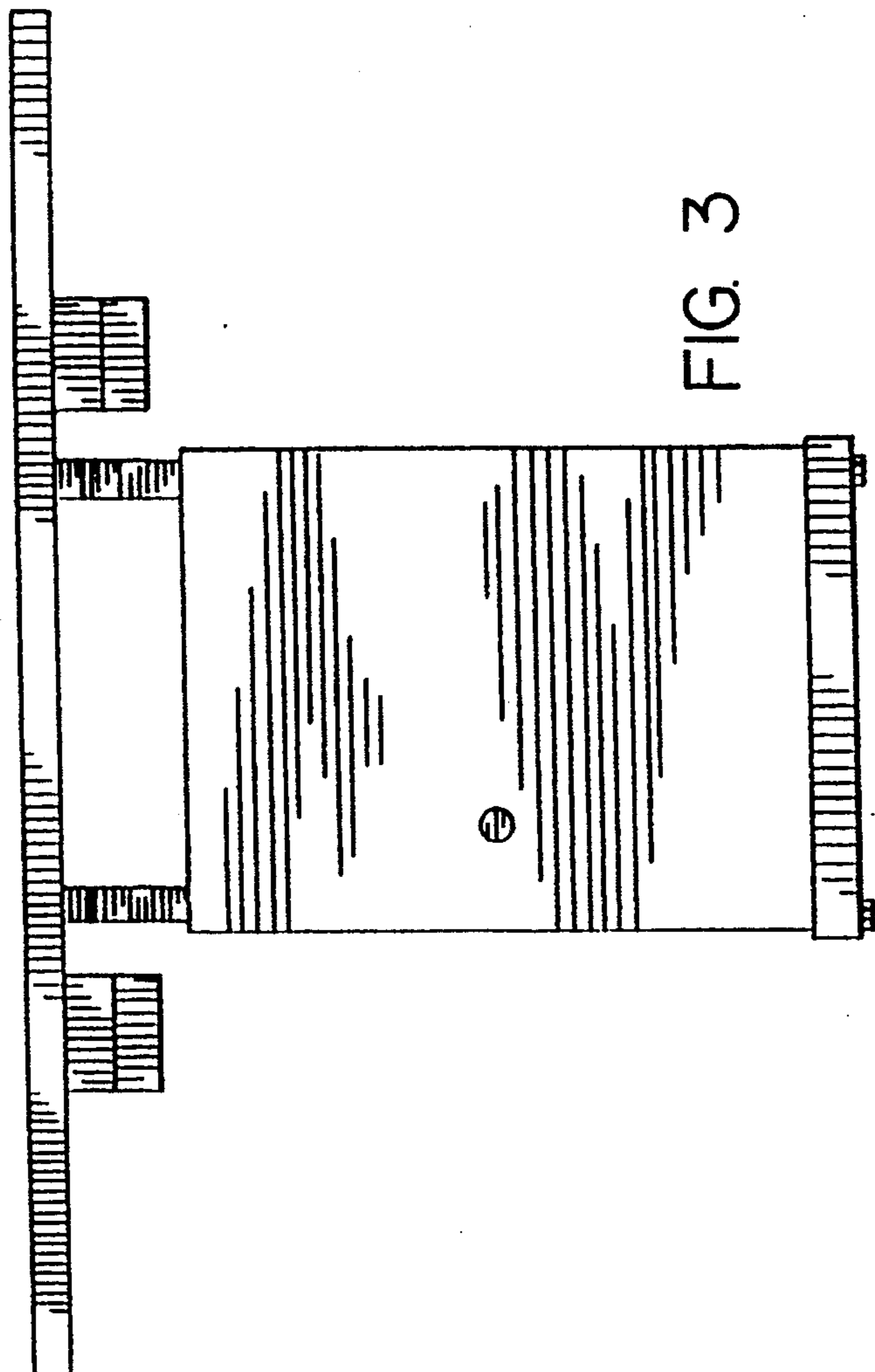


FIG. 3

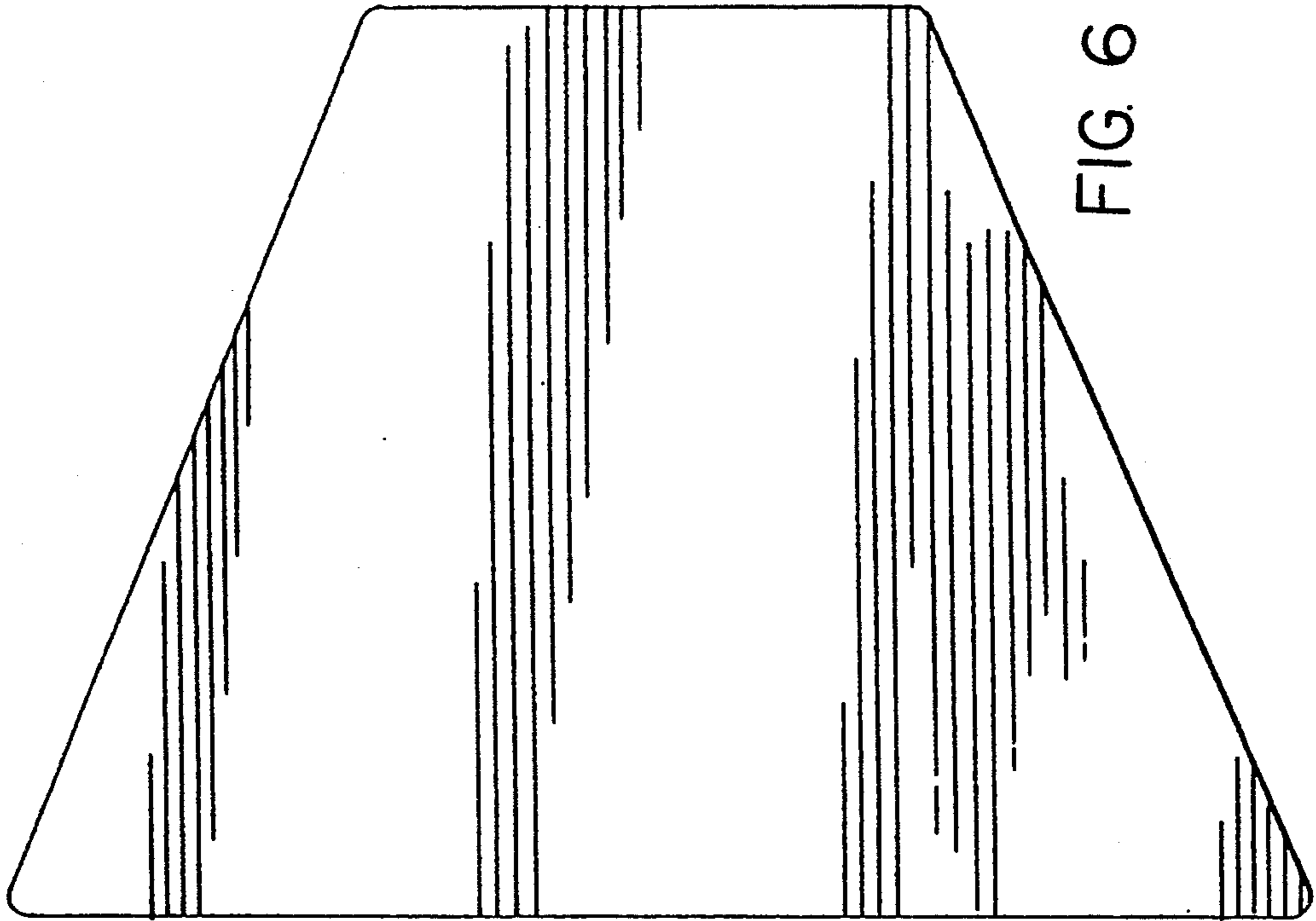


FIG. 6

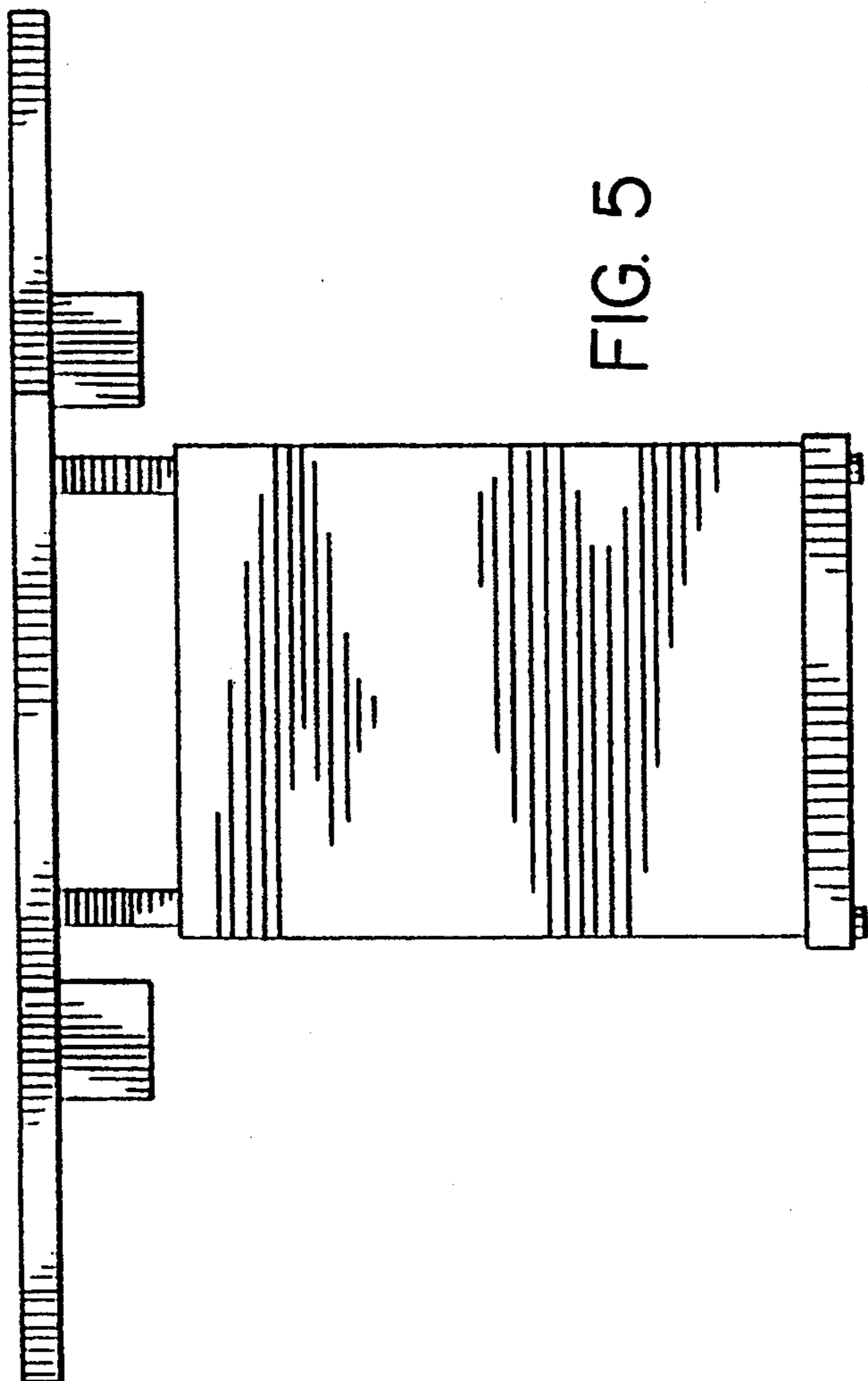


FIG. 5