



US00D357140S

United States Patent [19]

[11] Patent Number: **Des. 357,140**

Hollinger

[45] Date of Patent: **** Apr. 11, 1995**

[54] **AUXILIARY/ACCESSORY SUPPORT STAND FOR WORK MATERIALS AND MITER SAW**

4,852,623	8/1989	Rodrigues	269/901	X
4,864,941	9/1989	Goulter	269/901	X
5,004,029	4/1991	Garner	144/287	
5,161,590	11/1992	Otto	144/286	R
5,255,724	10/1993	Butke	144/287	X
5,320,150	6/1994	Cverts et al.	144/287	

[75] Inventor: **David N. Hollinger**, Glenshaw, Pa.

[73] Assignee: **Delta International Machinery Corp.**, Pittsburgh, Pa.

[**] Term: **14 Years**

Primary Examiner—Carmen H. Vales-Lado
Attorney, Agent, or Firm—Kirkpatrick & Lockhart

[21] Appl. No.: **2,744**

[57] CLAIM

[22] Filed: **Dec. 15, 1992**

The ornamental design for an auxiliary/accessory support stand for work materials and miter saw, as shown and described.

[52] U.S. Cl. **D6/400**

[58] Field of Search D6/400, 429-431; D8/71; 269/17, 41, 79, 901; 144/286 R, 286 A, 287; 83/471.3, 486.1, 471.2, 471.1

DESCRIPTION

[56] References Cited

U.S. PATENT DOCUMENTS

D. 273,739	5/1984	Shapiro	D6/400
D. 279,736	7/1985	Zastera et al.	D6/400
D. 293,983	2/1988	Aldridge, Sr.	D6/400
D. 304,650	11/1989	Price	D6/429
4,807,506	2/1989	Audet	83/471.3 X

FIG. 1 is a perspective view of an auxiliary/accessory support stand for work materials and miter saw showing my new design;

FIG. 2 is a front elevational view thereof;

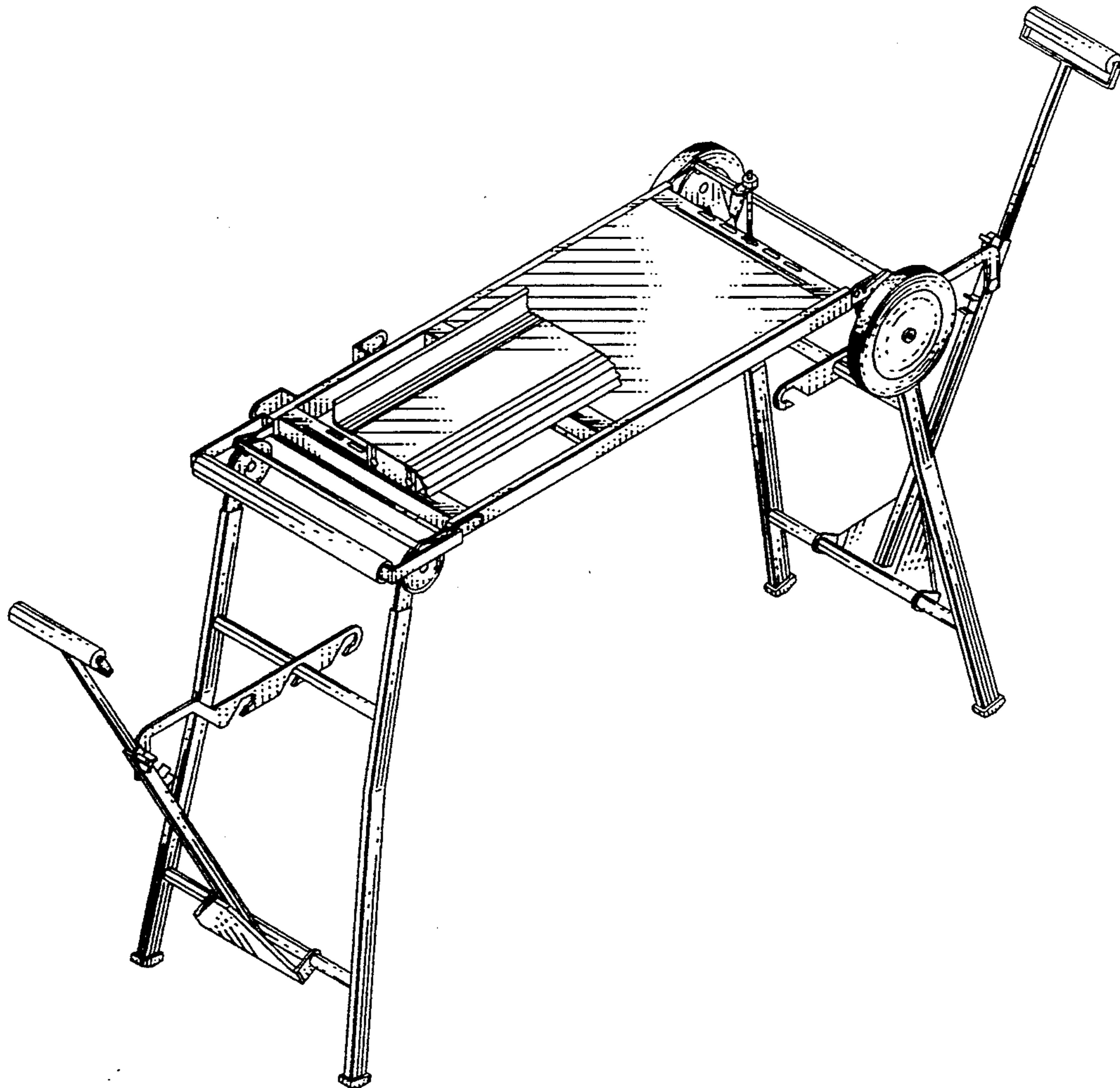
FIG. 3 is a rear elevational view thereof;

FIG. 4 is a right side elevational view thereof;

FIG. 5 is a left side elevational view thereof;

FIG. 6 is a top plan view thereof; and,

FIG. 7 is a bottom plan view thereof.



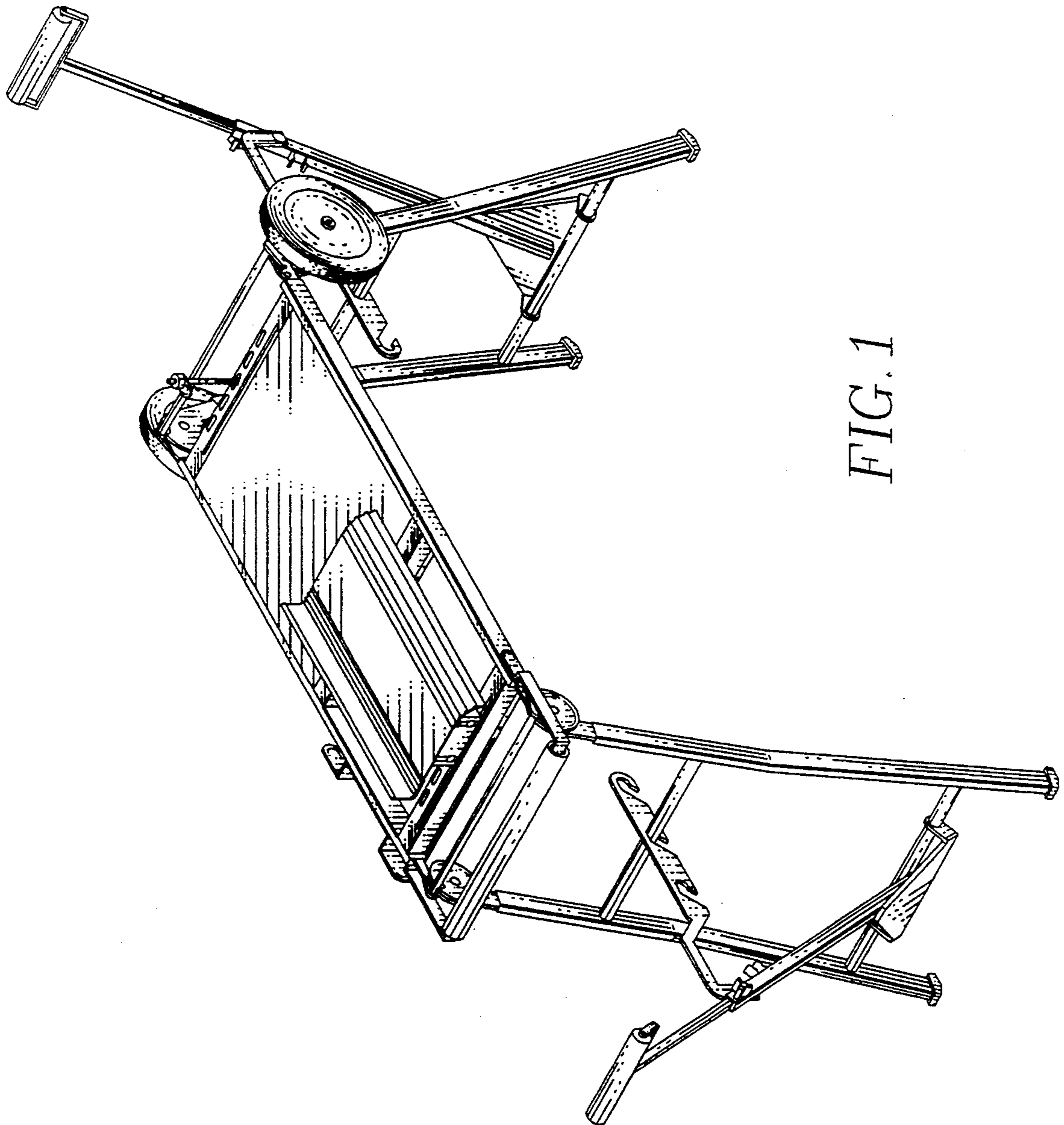


FIG. 1

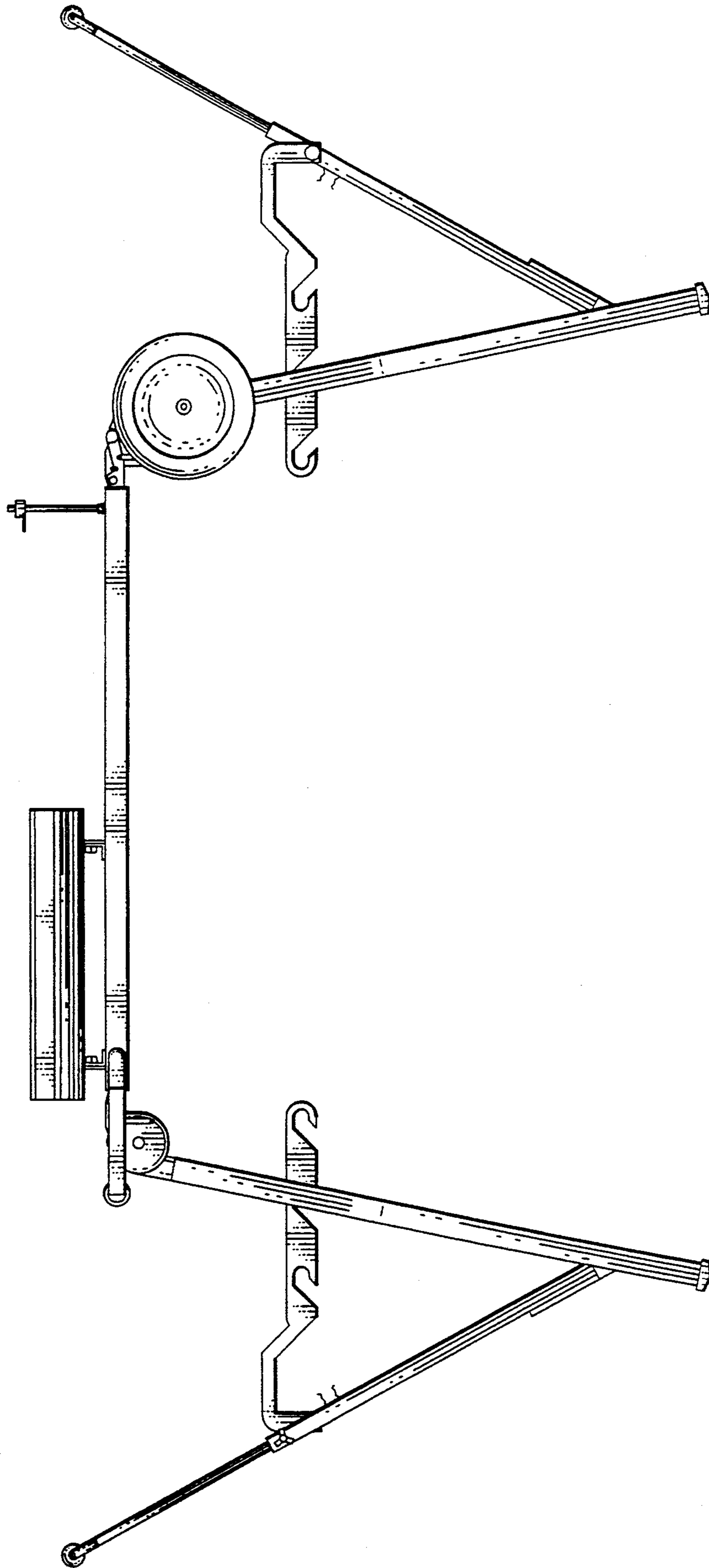


FIG. 2

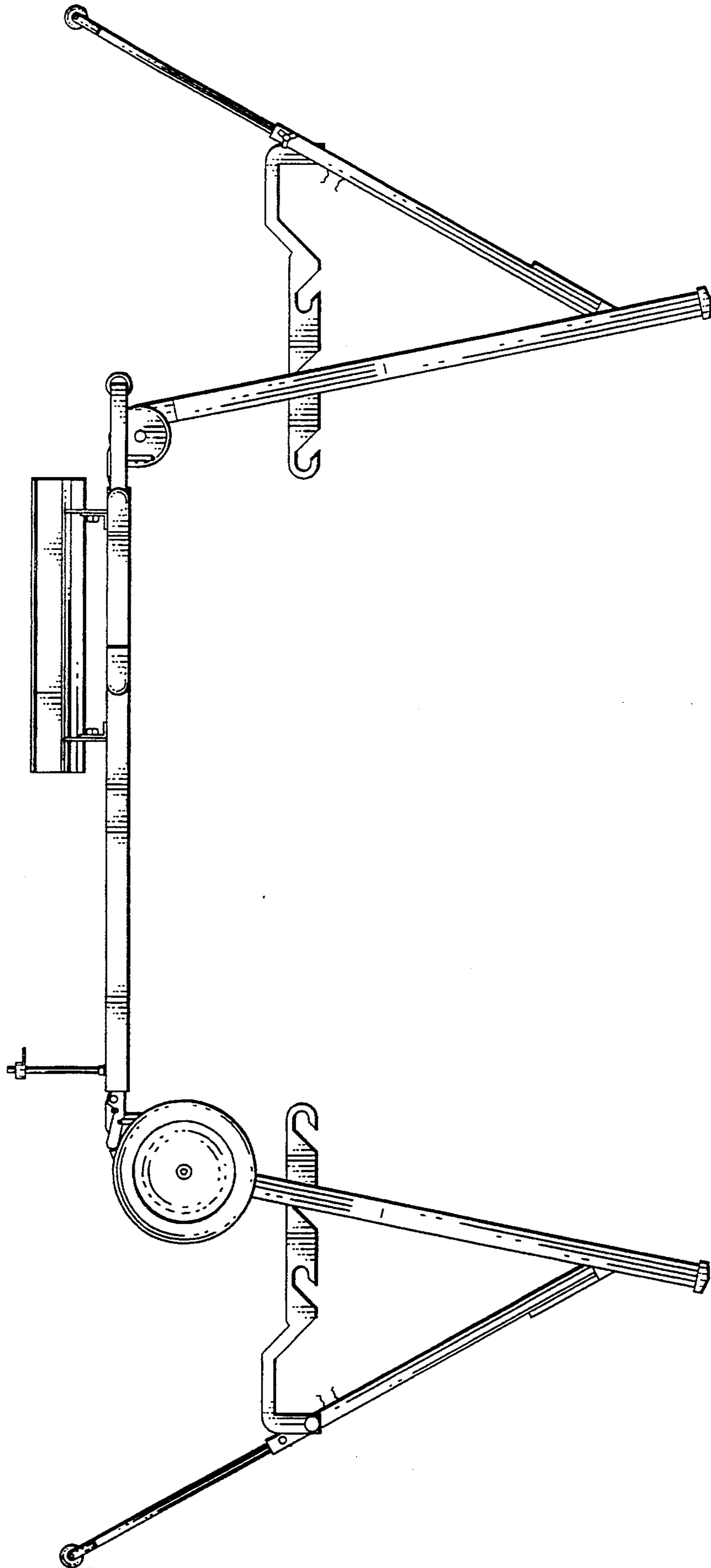


FIG. 3

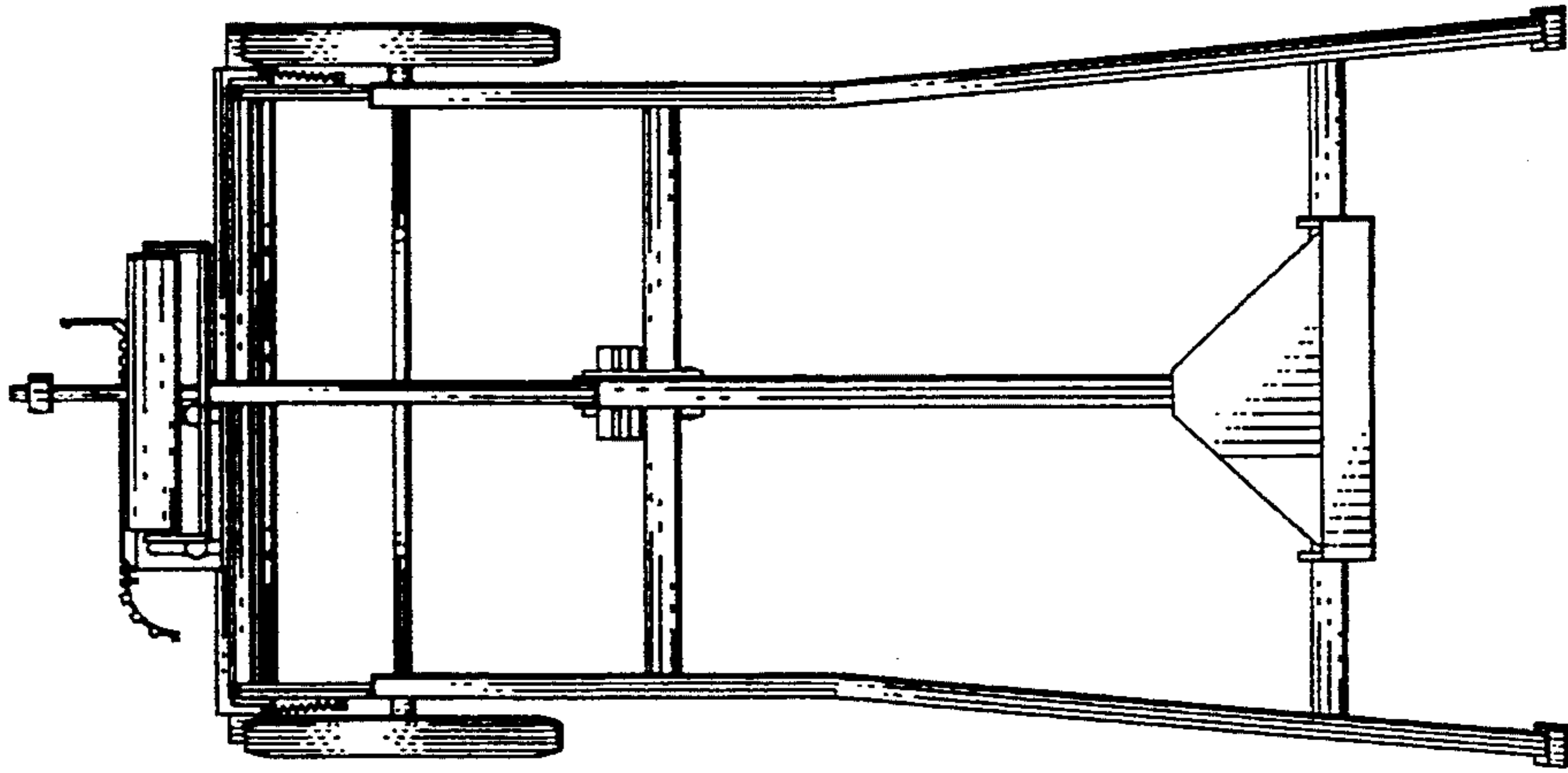


FIG. 4

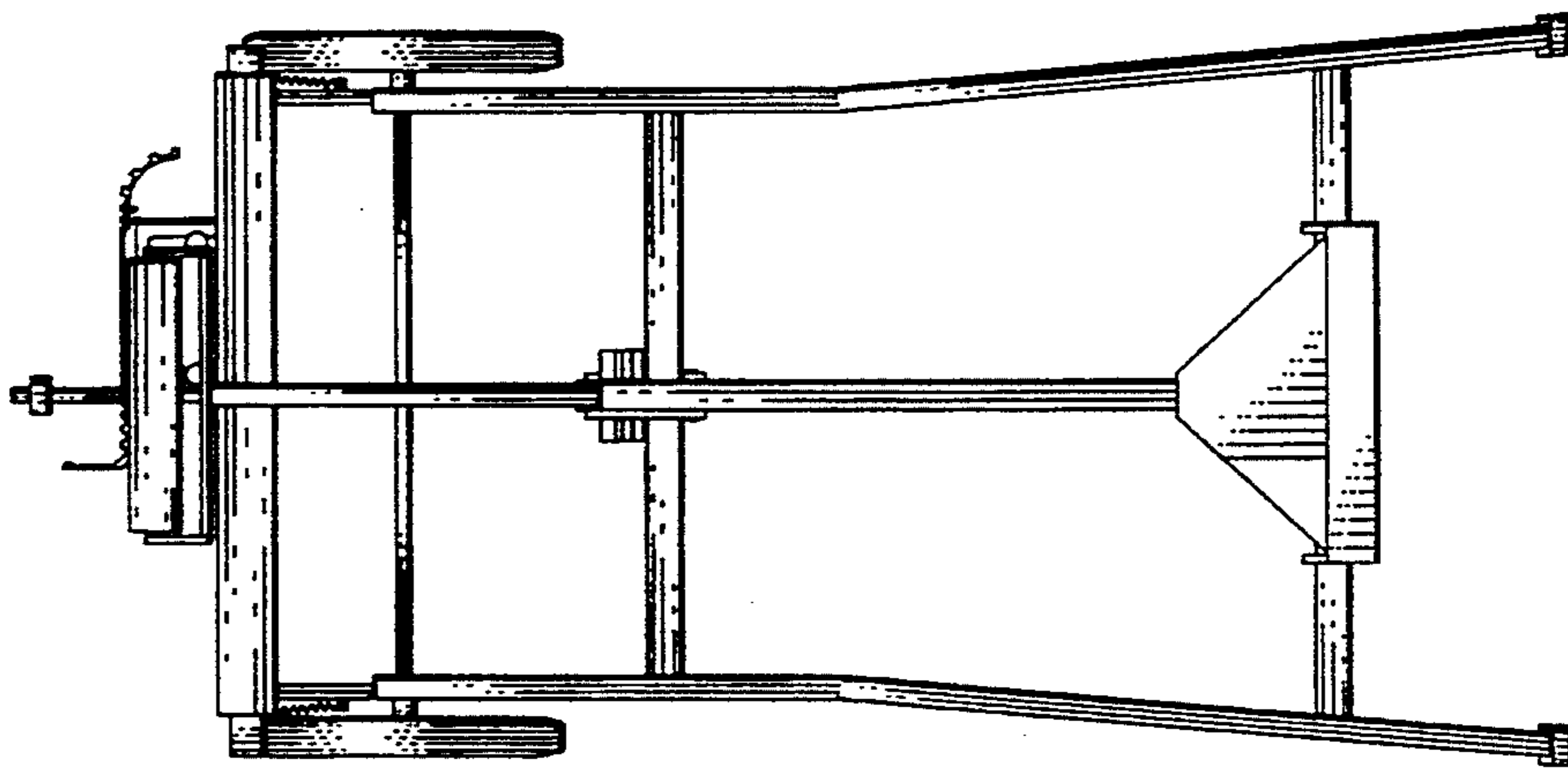


FIG. 5

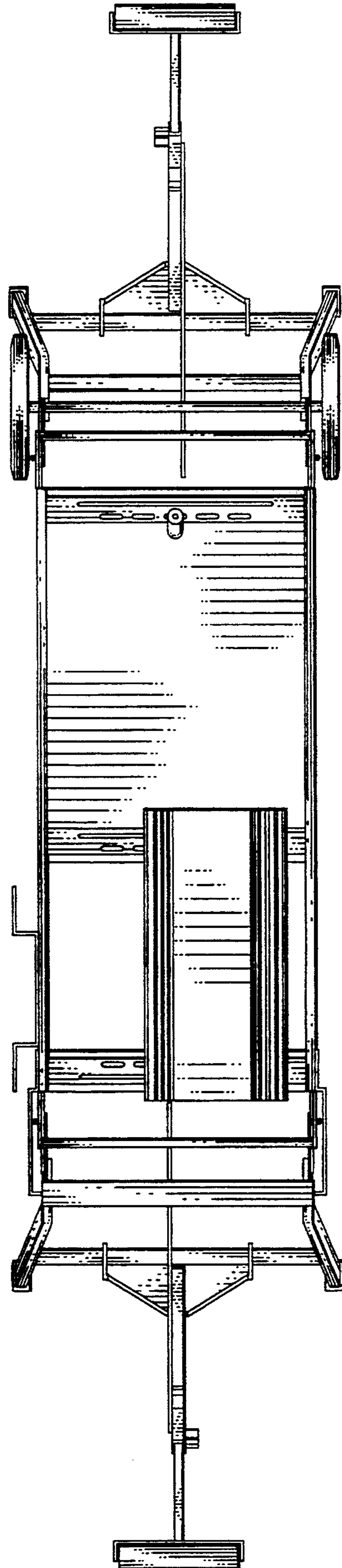


FIG. 6

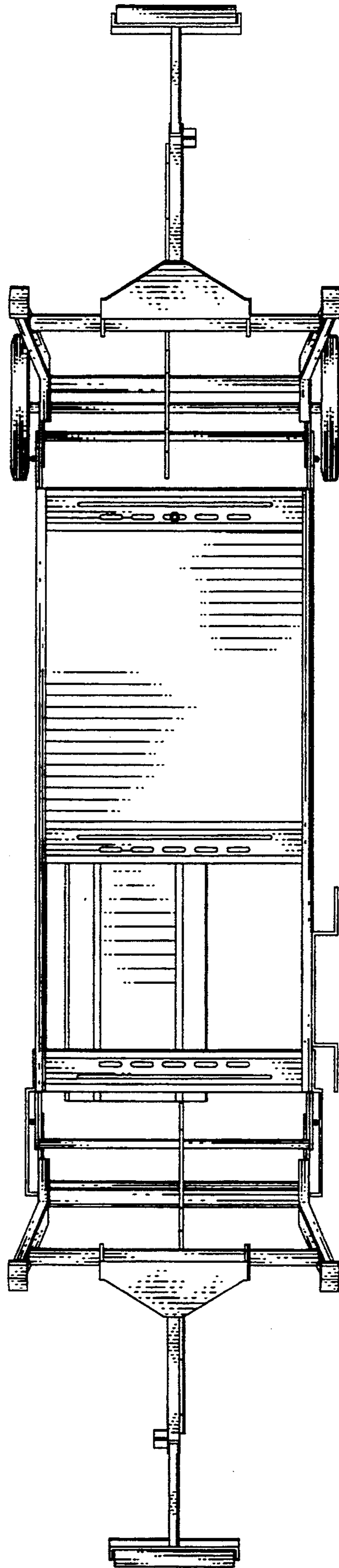


FIG. 7