



US00D357132S

# United States Patent [19]

Greene

[11] Patent Number: **Des. 357,132**

[45] Date of Patent: **\*\* Apr. 11, 1995**

[54] **CHAIR**

[75] Inventor: **Michael W. Greene**, Incline Village, Nev.

[73] Assignee: **Resinform**, Incline Village, Nev.

[\*] Notice: The portion of the term of this patent subsequent to Jan. 10, 2009 has been disclaimed.

[\*\*] Term: **14 Years**

[21] Appl. No.: **1,028**

[22] Filed: **Nov. 2, 1992**

[52] U.S. Cl. .... **D6/370; D6/379**

[58] Field of Search ..... **D6/334, 370, 374, 375, D6/379, 380, 500, 501, 502; 297/411.42, DIG 2.**

[56] **References Cited**

**U.S. PATENT DOCUMENTS**

D. 183,768	10/1958	Robinson	.....	D6/379
D. 325,304	4/1992	Grosfillex	.....	D6/370
D. 335,585	5/1993	Grosfillex	.....	D6/370 X
D. 338,115	8/1993	Grosfillex	.....	D6/370
D. 341,953	12/1993	Bemis et al.	.....	D6/370

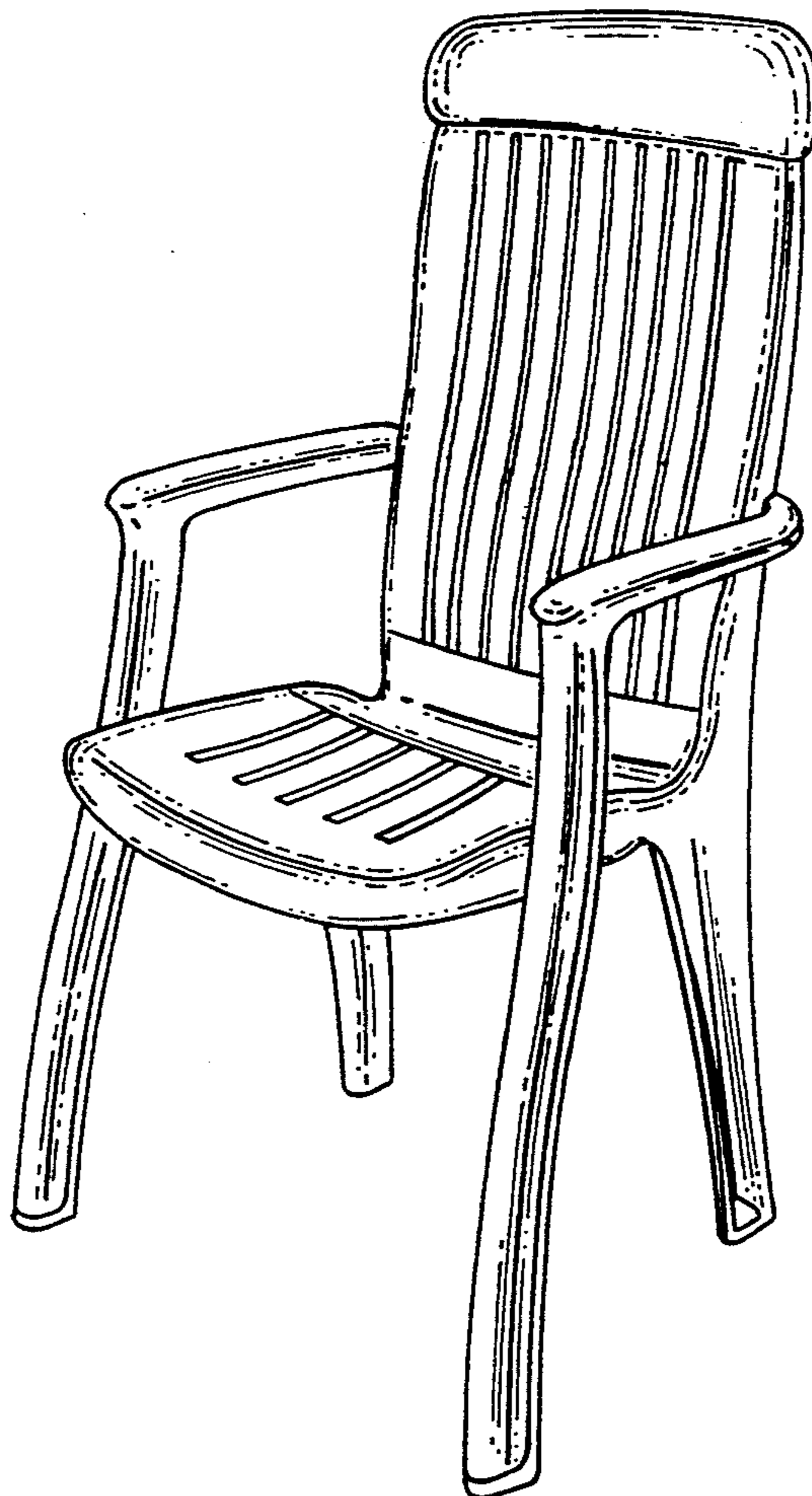
*Primary Examiner*—Alan P. Douglas  
*Assistant Examiner*—Gary D. Watson  
*Attorney, Agent, or Firm*—Hovey, Williams, Timmons & Collins

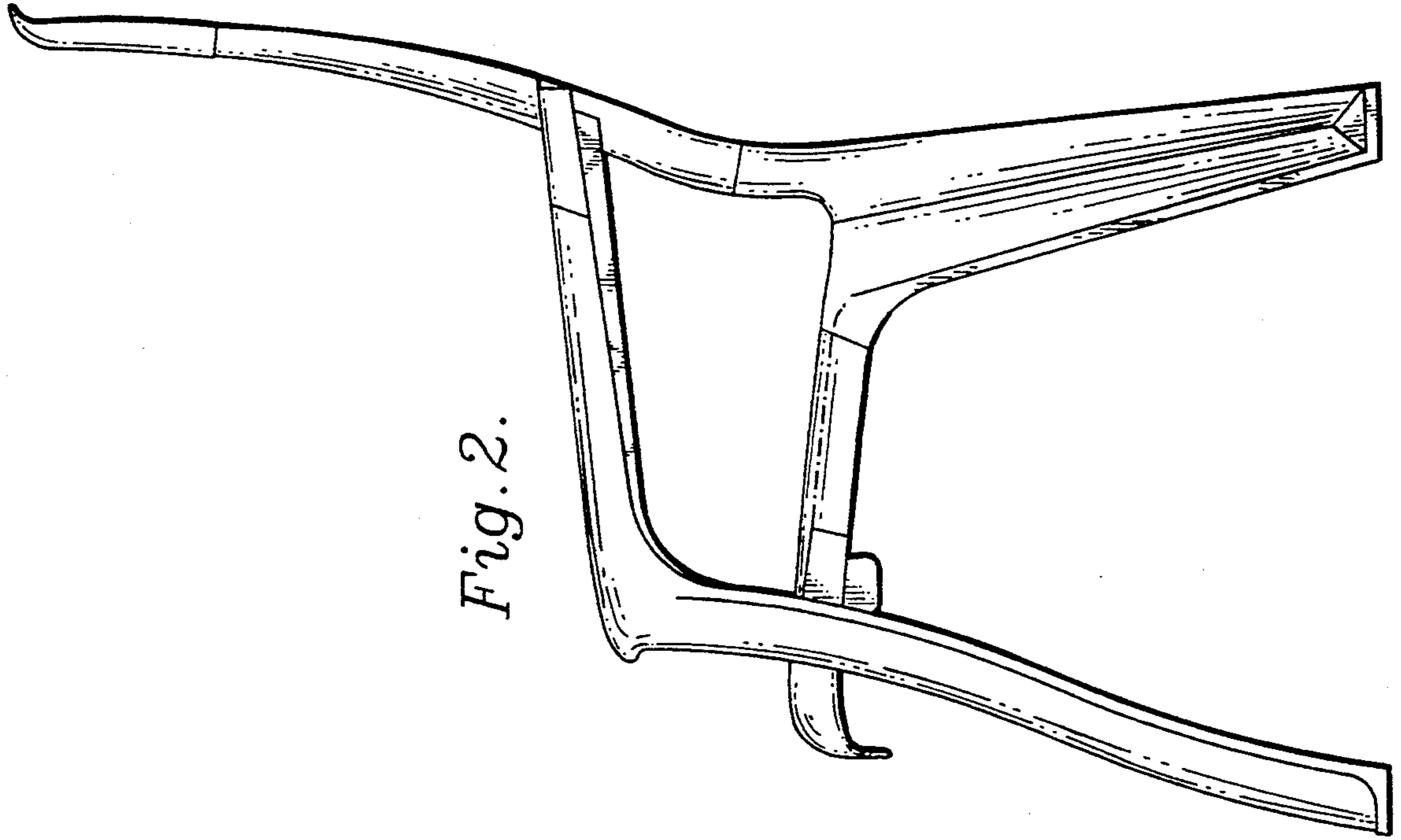
[57] **CLAIM**

The ornamental design for a chair, as shown and described.

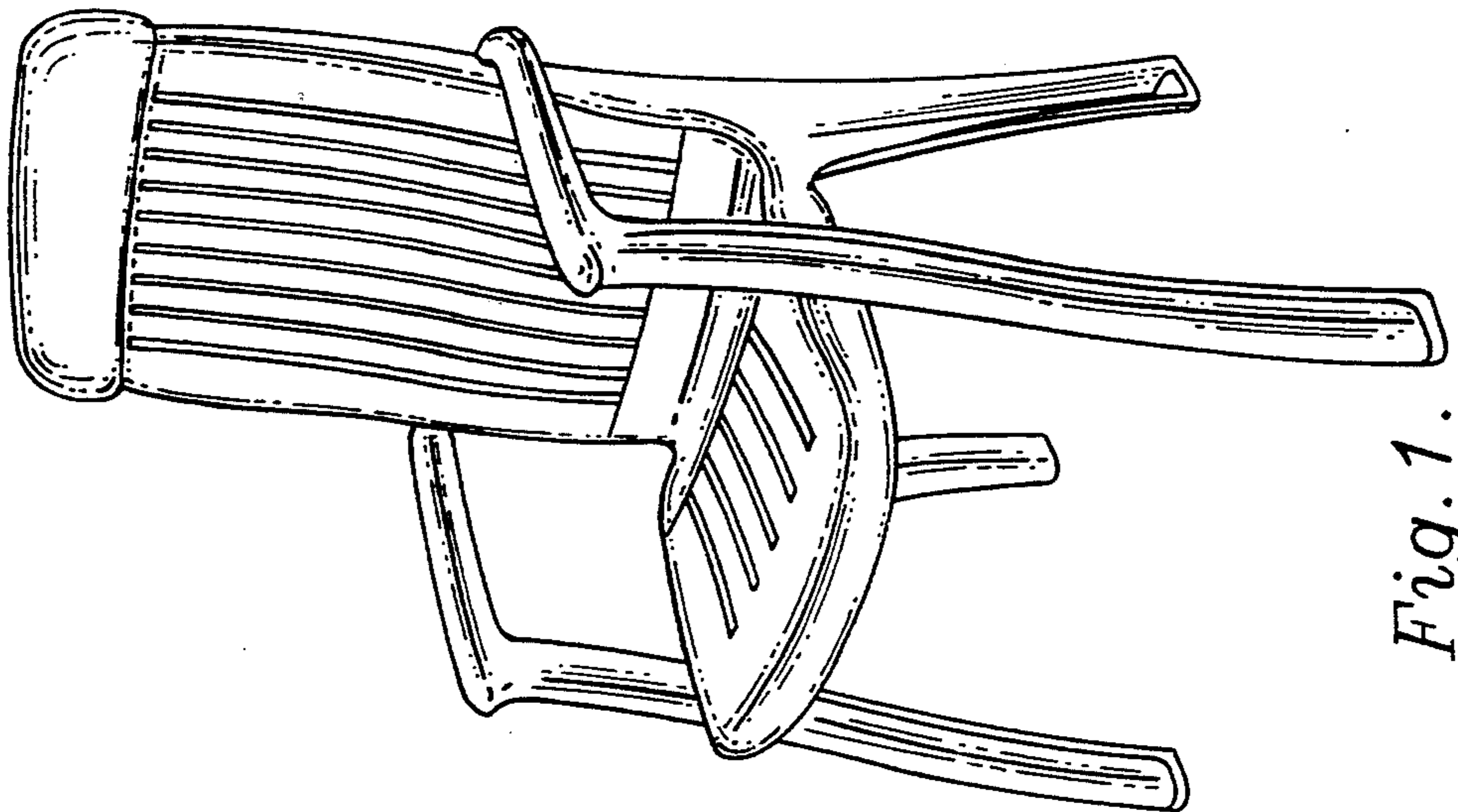
**DESCRIPTION**

FIG. 1 is a front perspective view of the chair; FIG. 2 is a side elevational view thereof; FIG. 3 is a top plan view thereof; FIG. 4 is a bottom plan view thereof. FIG. 5 is a front elevational view thereof; FIG. 6 is a rear elevational view thereof; FIG. 7 is a front perspective view of a second embodiment of the invention and showing a cushion in the seat and on the back of the chair; FIG. 8 is a side elevational view of the embodiment shown in FIG. 7; FIG. 9 is a top plan view thereof; FIG. 10 is a bottom plan view thereof; FIG. 11 is a front elevational view thereof; and, FIG. 12 is a rear elevational view thereof.



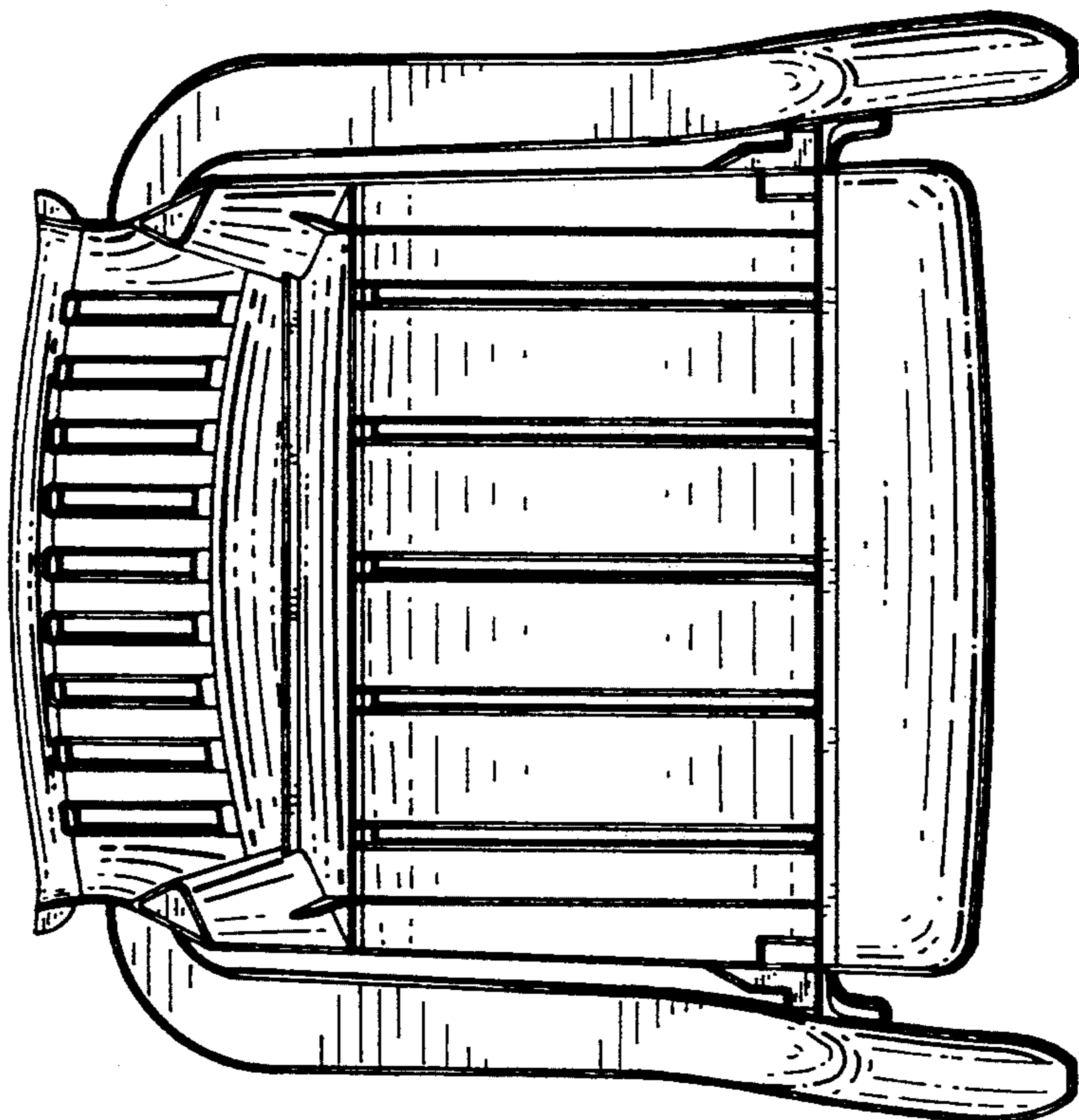


*Fig. 2.*

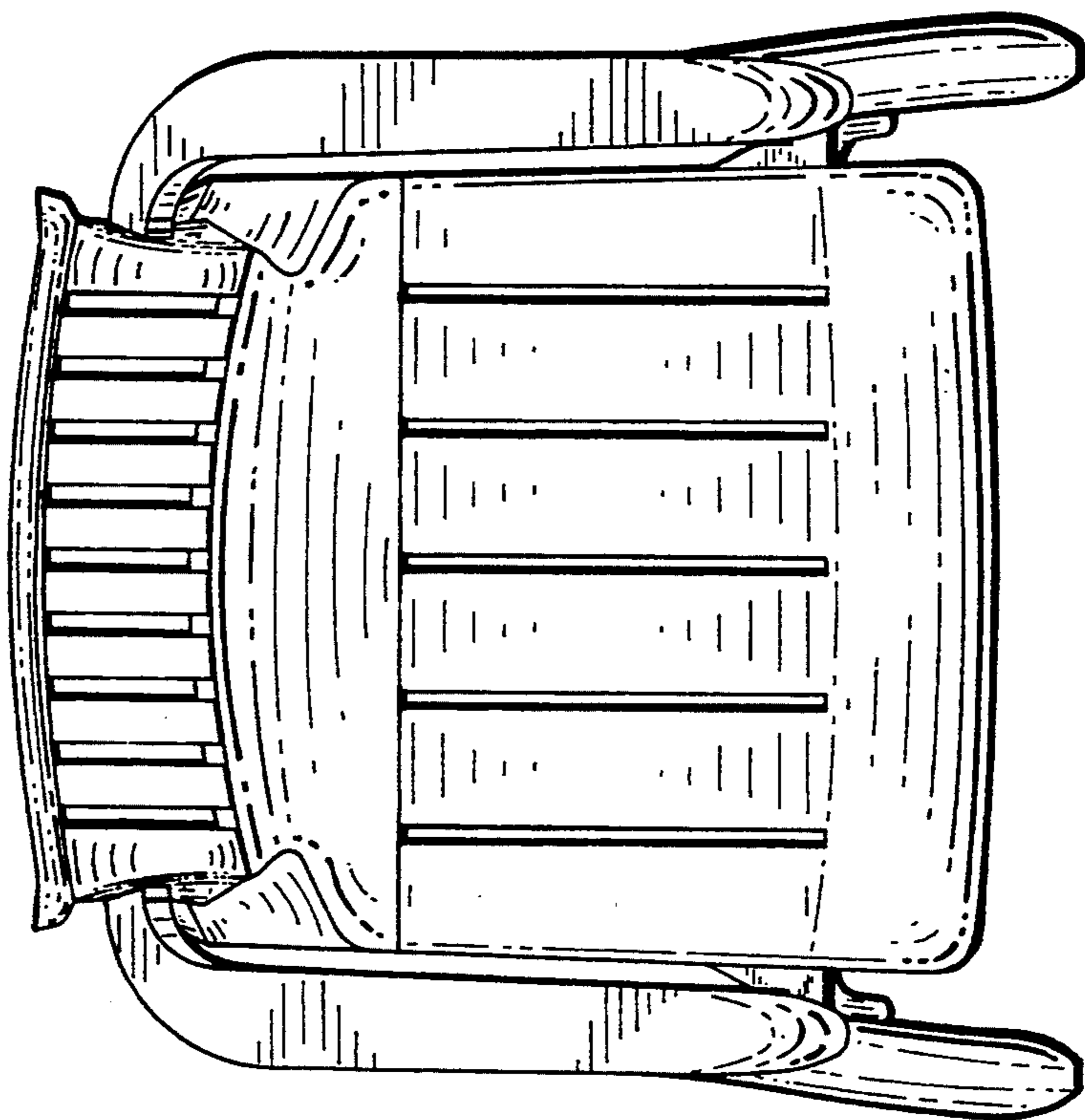


*Fig. 1.*

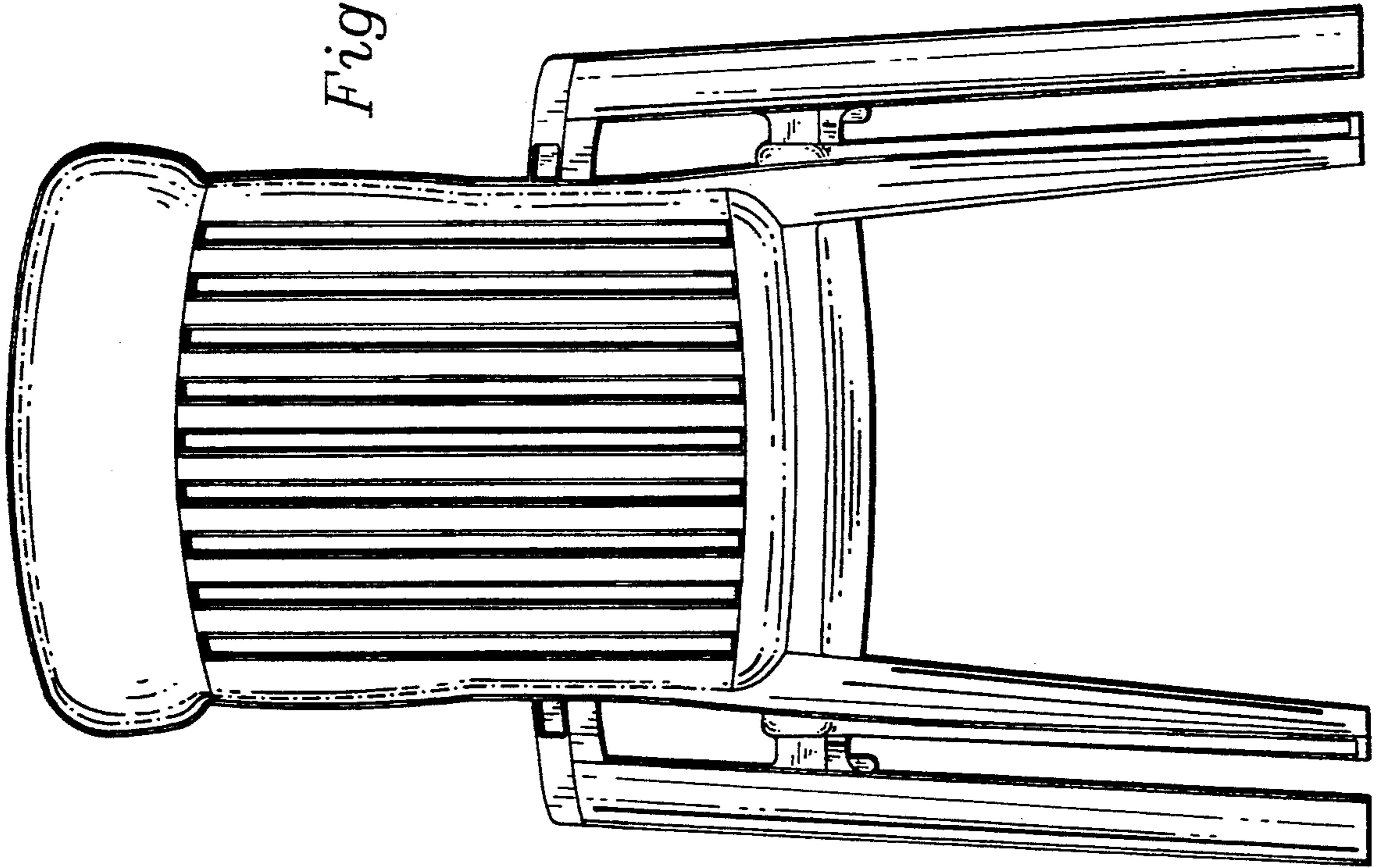
*Fig. 4.*



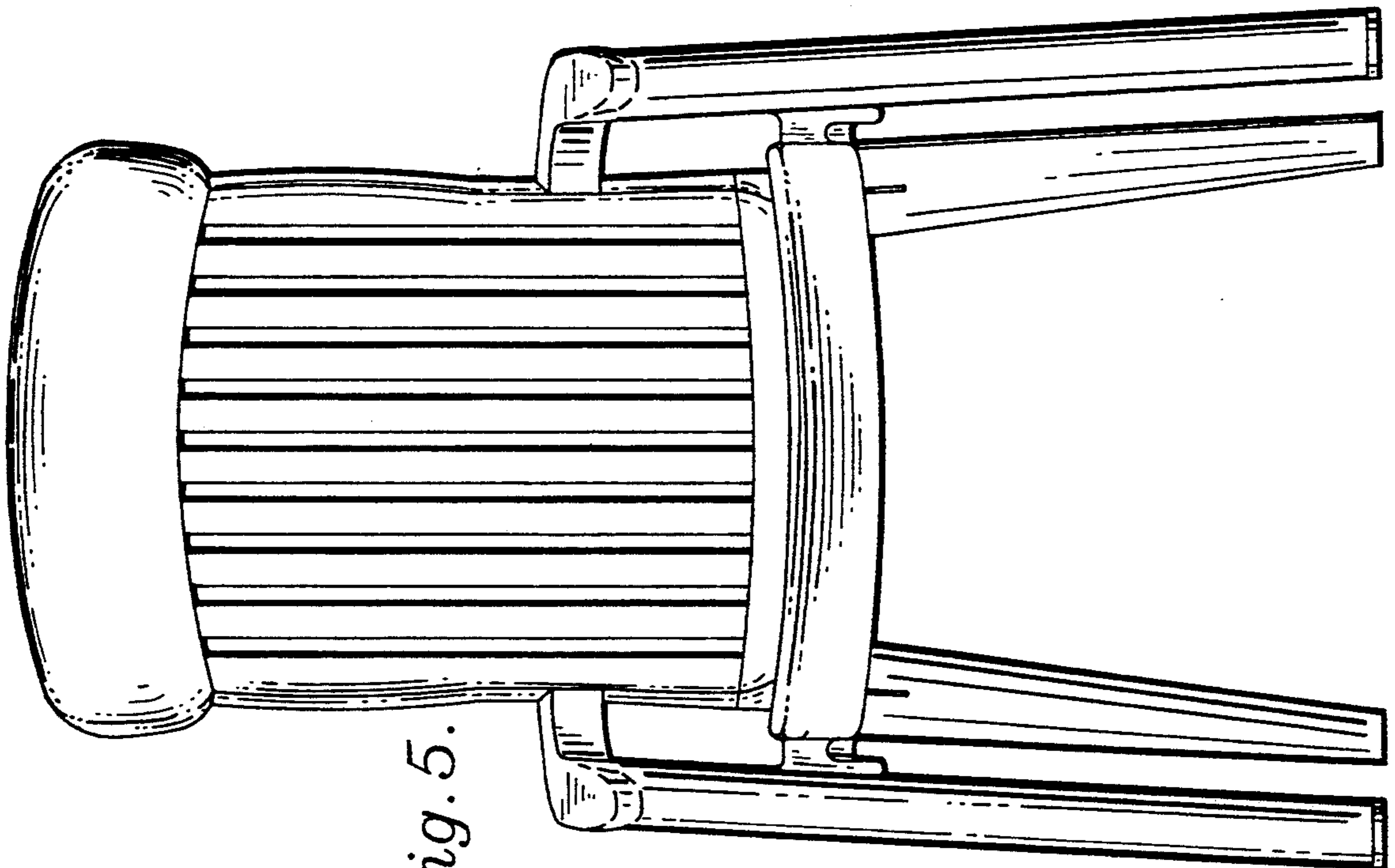
*Fig. 3.*

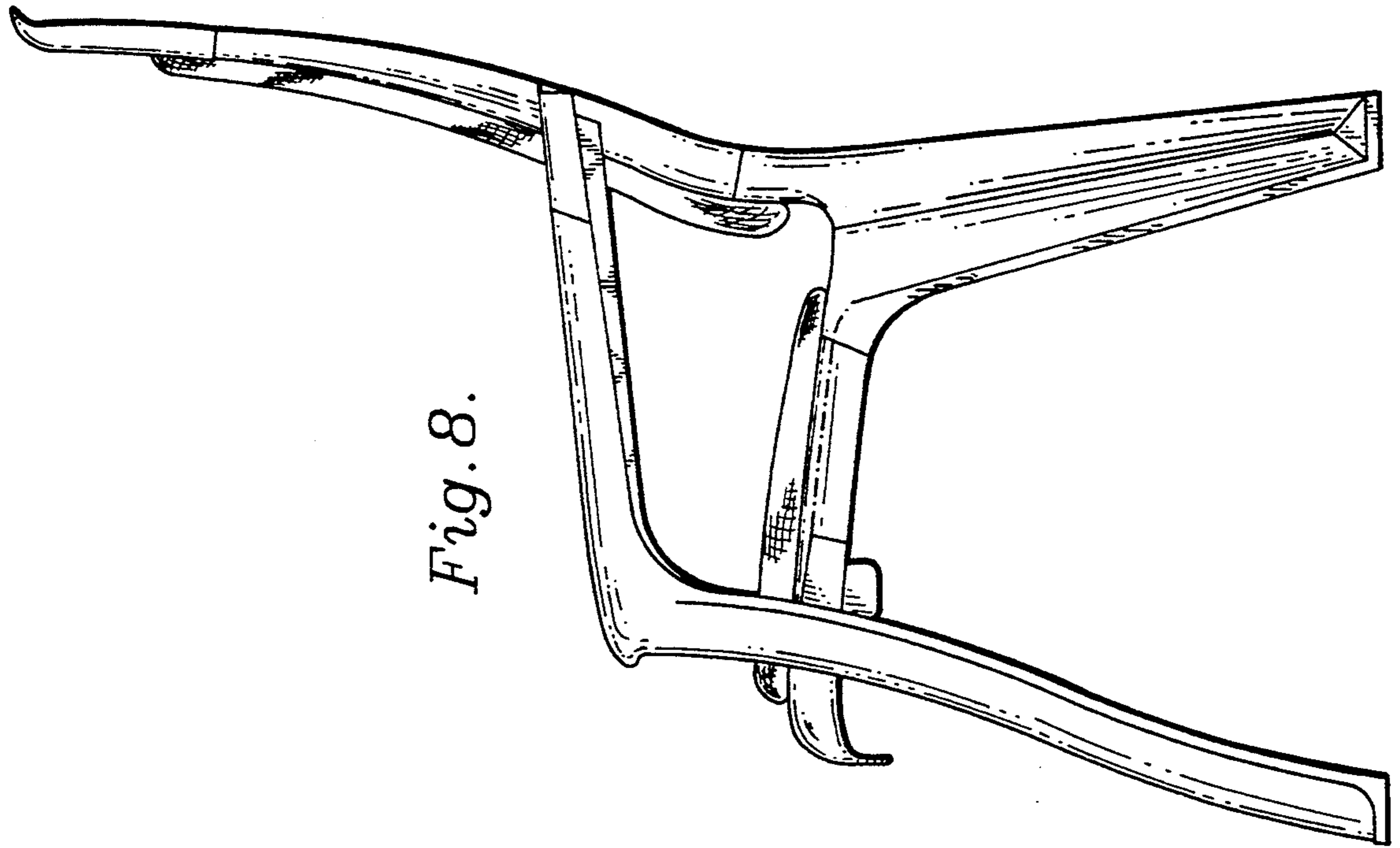


*Fig. 6.*

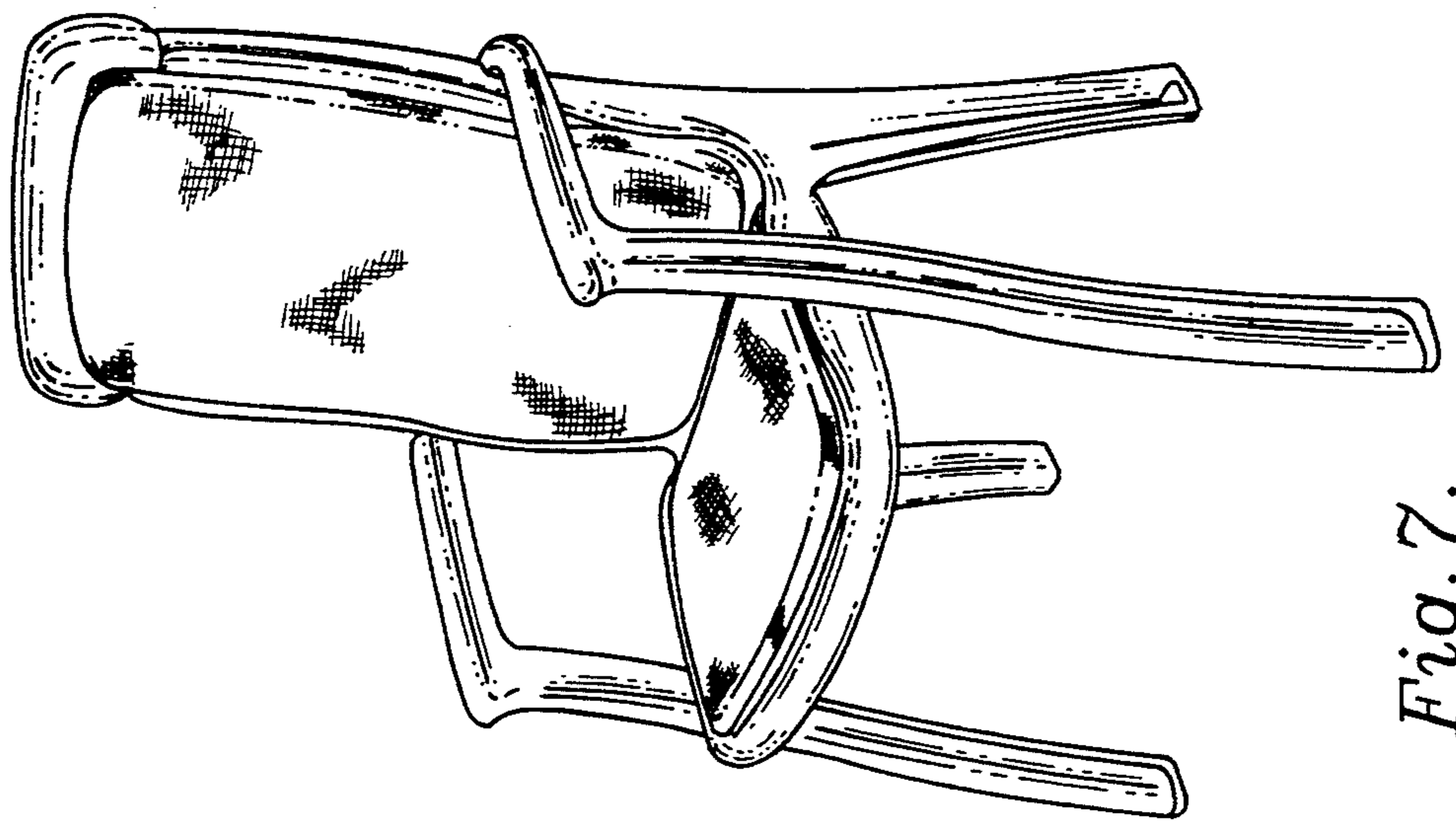


*Fig. 5.*





*Fig. 8.*



*Fig. 7.*

Fig. 10.

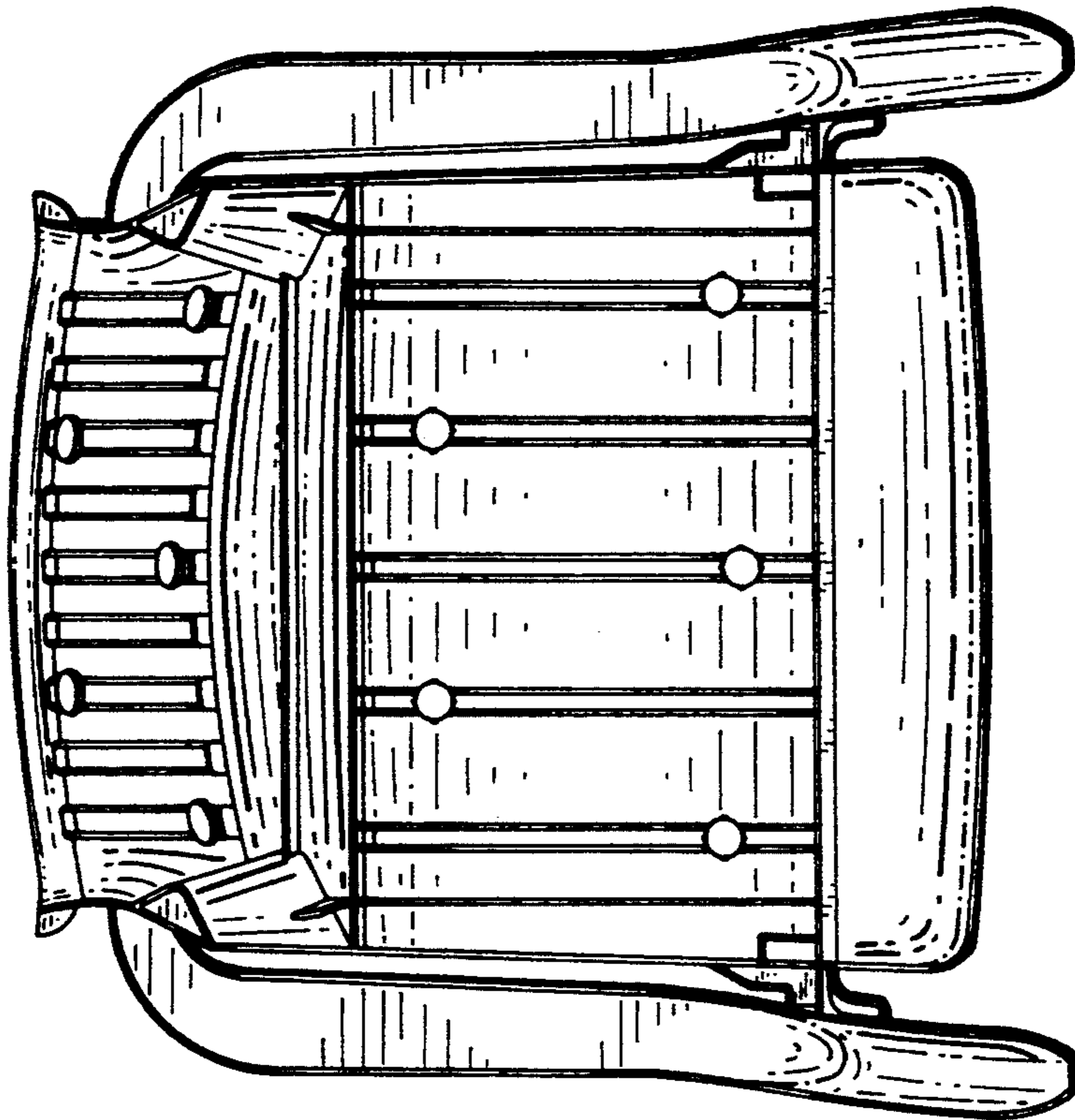
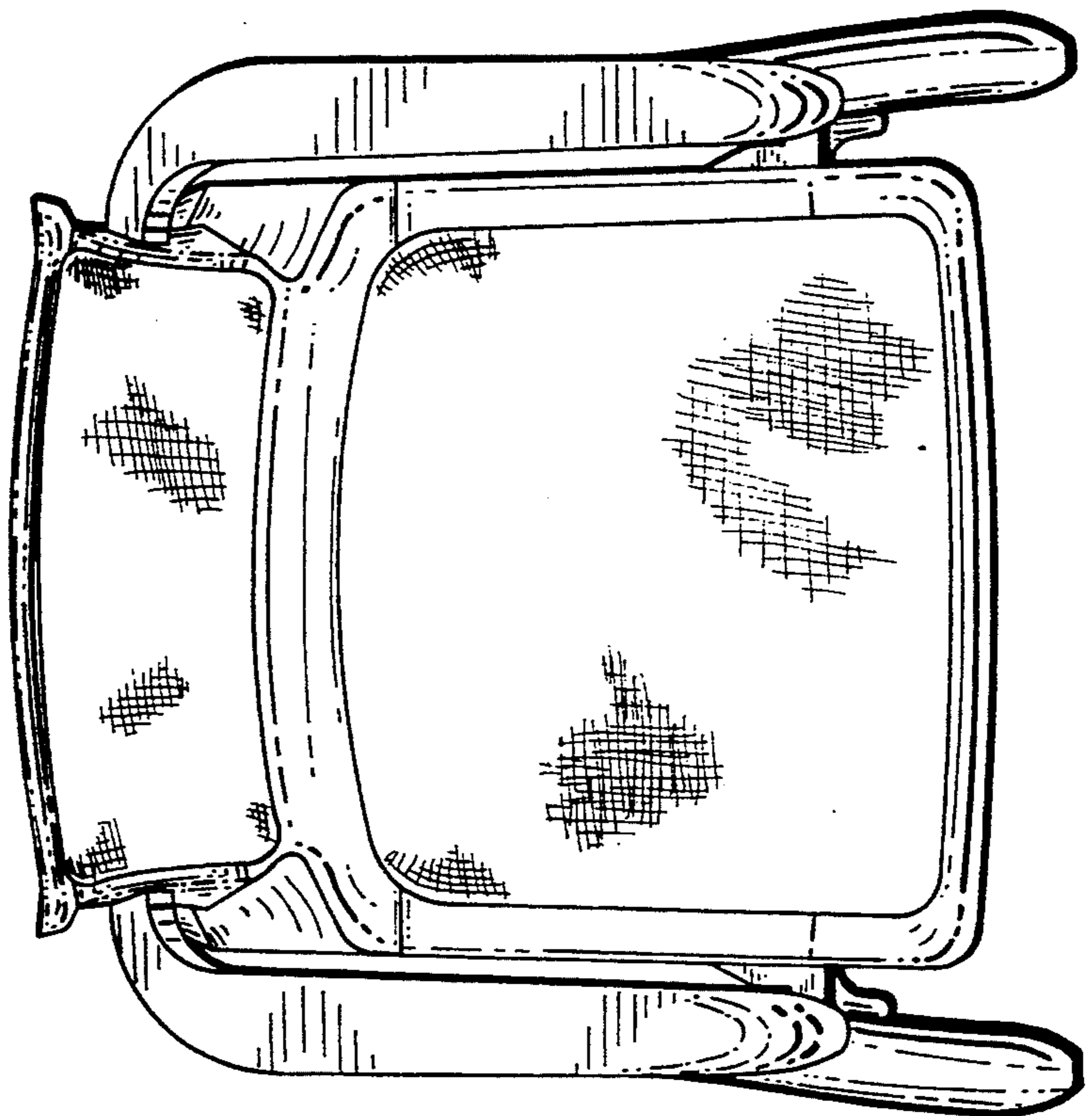
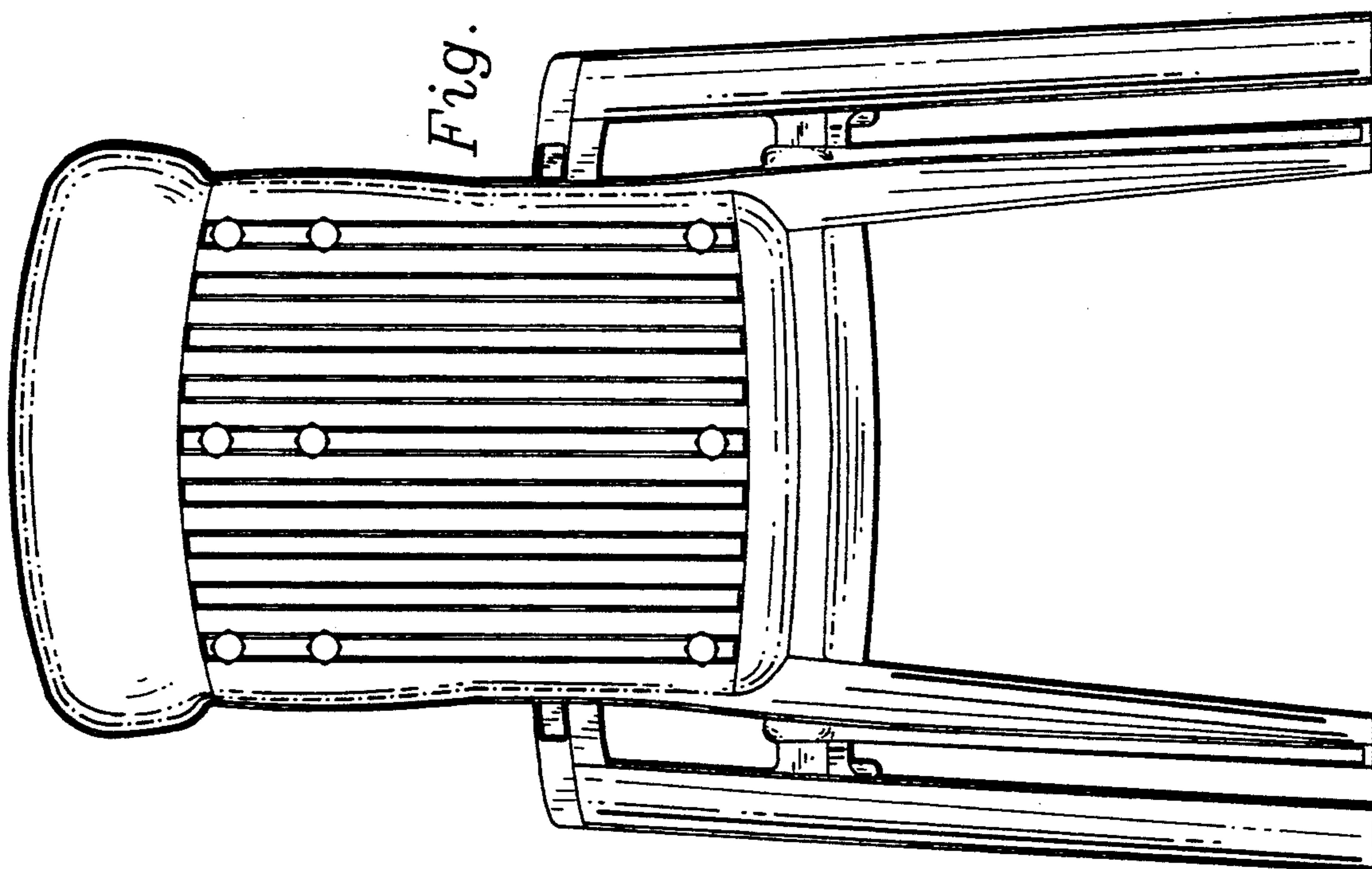
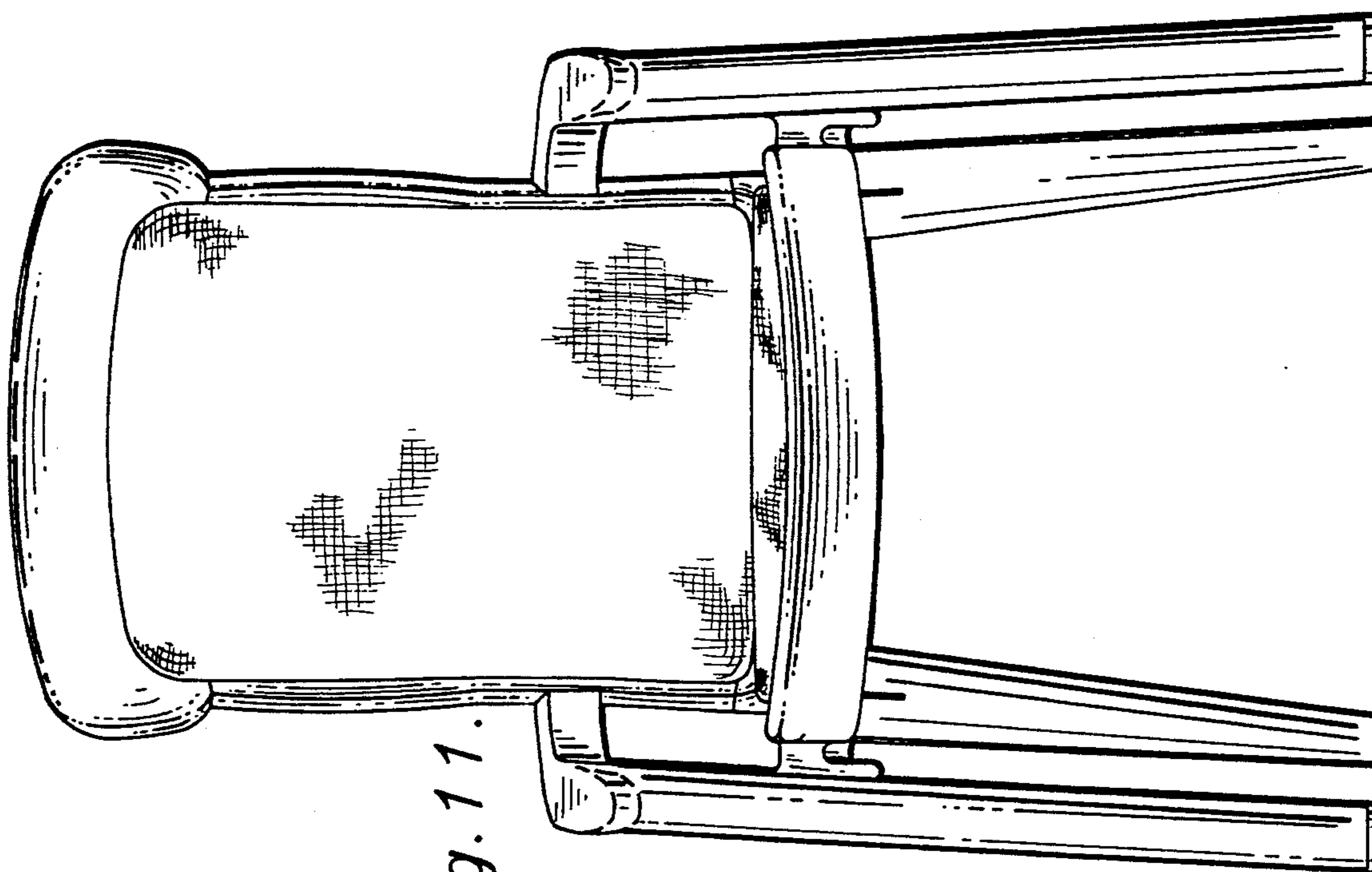


Fig. 9.





*Fig. 12.*



*Fig. 11.*