



US00D357131S

United States Patent [19]

[11] Patent Number: **Des. 357,131**

Lo

[45] Date of Patent: **** Apr. 11, 1995**

[54] SOFA

[76] Inventor: **Ho-Min Lo**, No. 20, Lane 49, Chung Feng Rd., Chung-Li City, Tao Yuan Hsien, Taiwan, Prov. of China

[**] Term: **14 Years**

[21] Appl. No.: **4,627**

[22] Filed: **Feb. 9, 1993**

[52] U.S. Cl. **D6/361; D6/367**

[58] Field of Search **D6/334, 335, 336, 360, D6/361, 367, 500, 501, 502; 297/188, 152.48**

[56] **References Cited**

U.S. PATENT DOCUMENTS

D. 166,585	4/1952	Bell	D6/361
D. 172,378	6/1954	Bell	D6/361
D. 173,592	11/1954	Richardson	D6/360
D. 176,045	11/1955	Sherman	D6/361

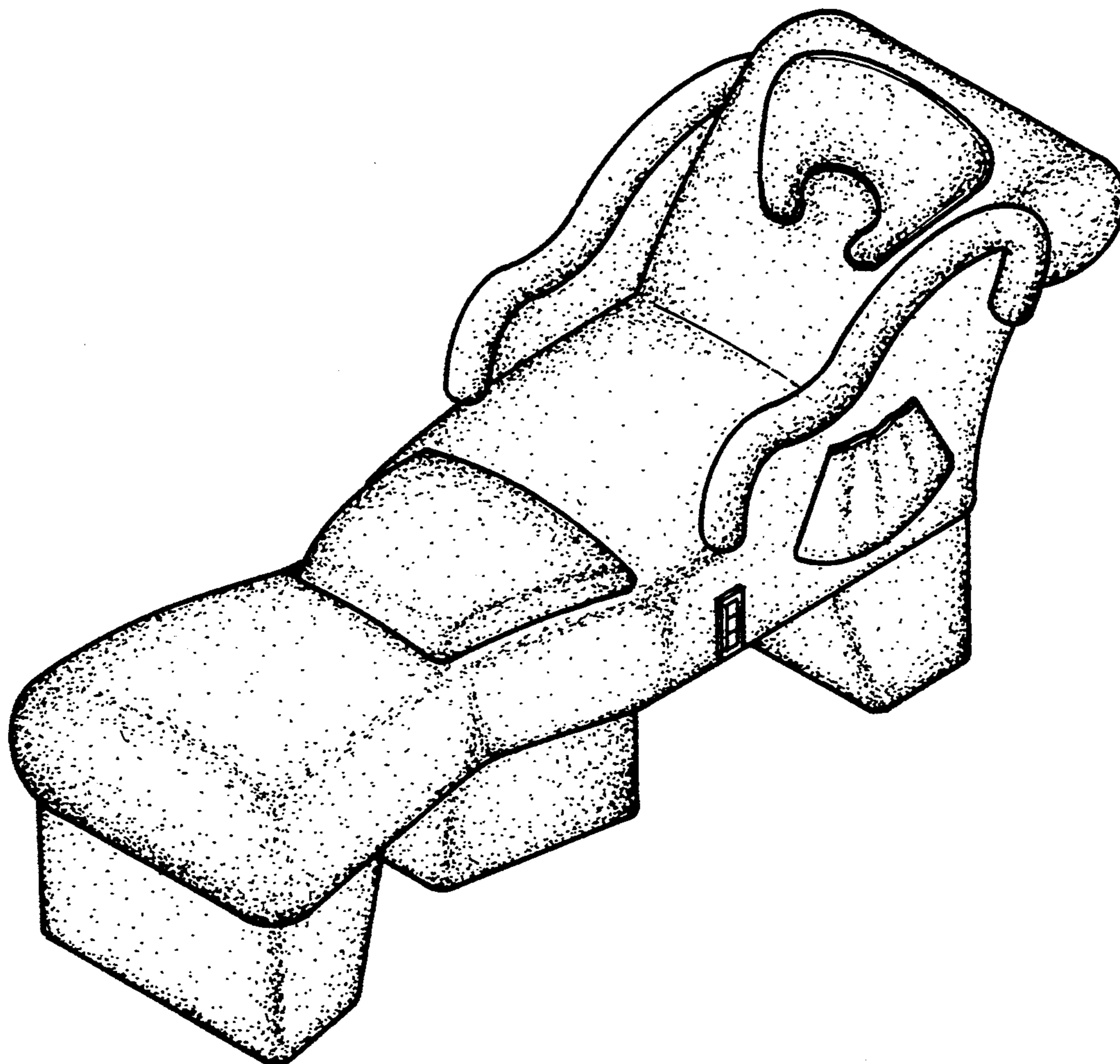
Primary Examiner—Alan P. Douglas
Assistant Examiner—Gary D. Watson
Attorney, Agent, or Firm—W. Wayne Liauh

[57] **CLAIM**

The ornamental design for a sofa, as shown and described.

DESCRIPTION

FIG. 1 is a front elevational view of a sofa showing my new design;
FIG. 2 is a rear elevational view thereof;
FIG. 3 is a left side elevational view thereof;
FIG. 4 is a right side elevational view thereof;
FIG. 5 is a perspective view of sofa showing my design;
FIG. 6 is a top plan view thereof;
FIG. 7 is a bottom plan view thereof; and,
FIG. 8 is a perspective view showing the sofa in an alternative position.



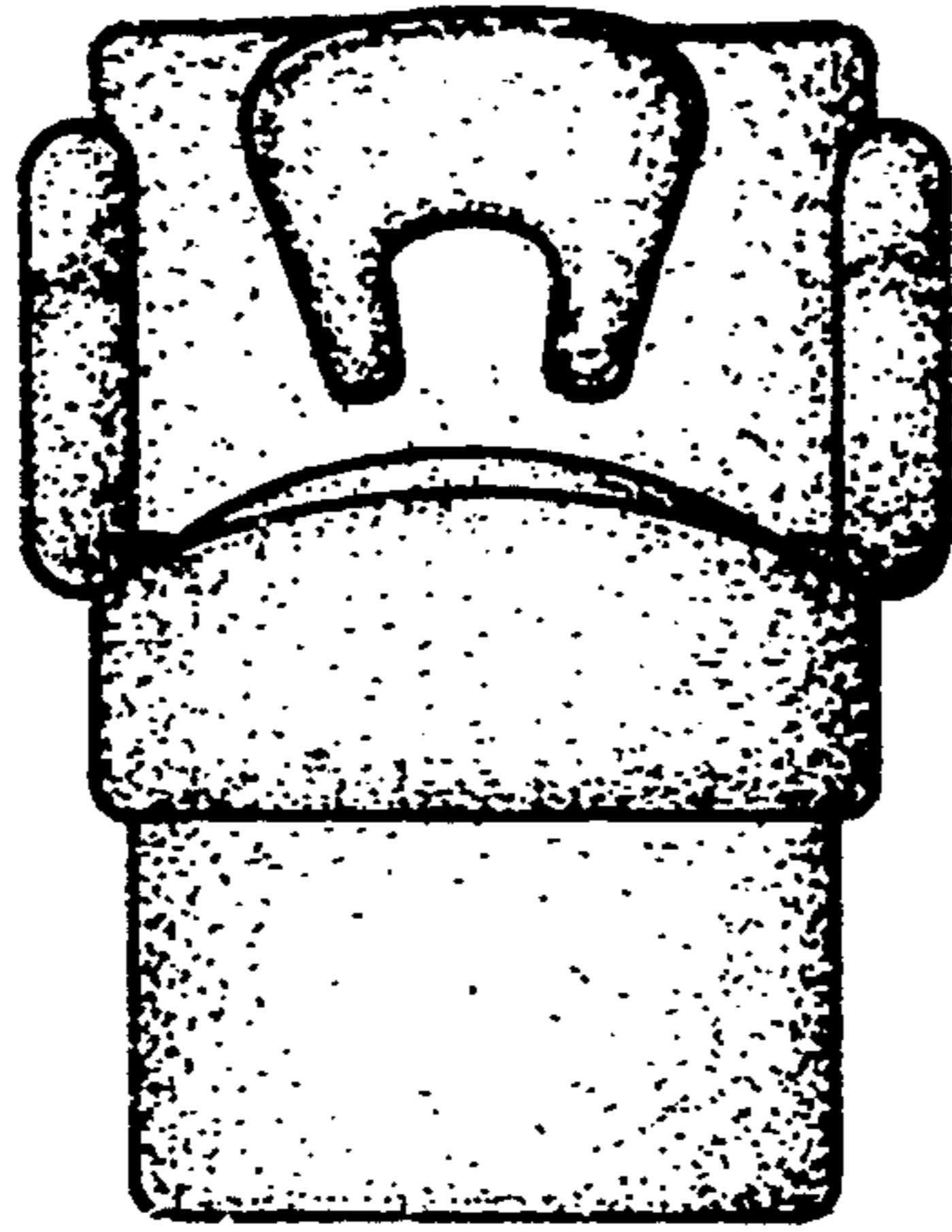


FIG. 1

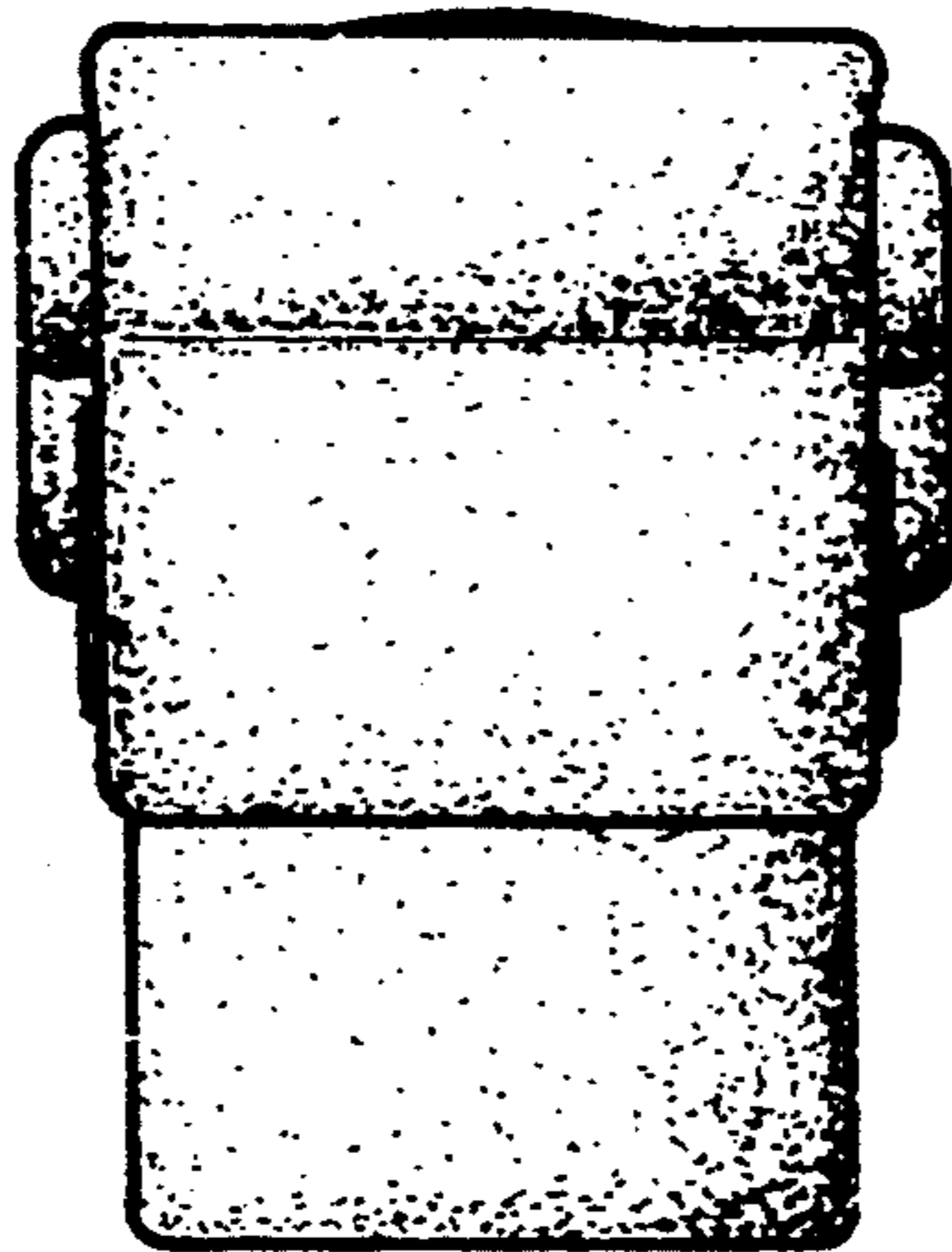


FIG. 2

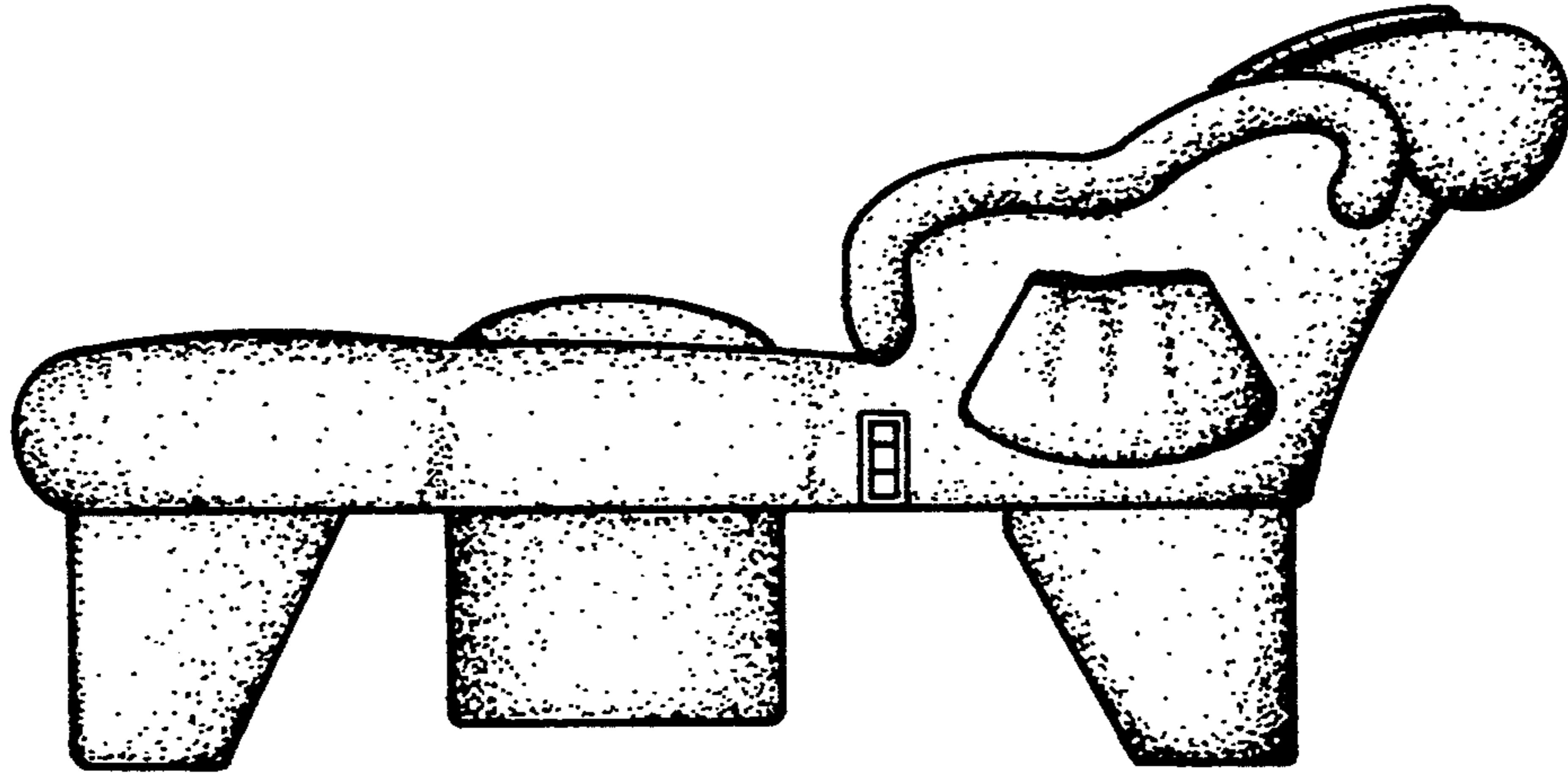


FIG. 3

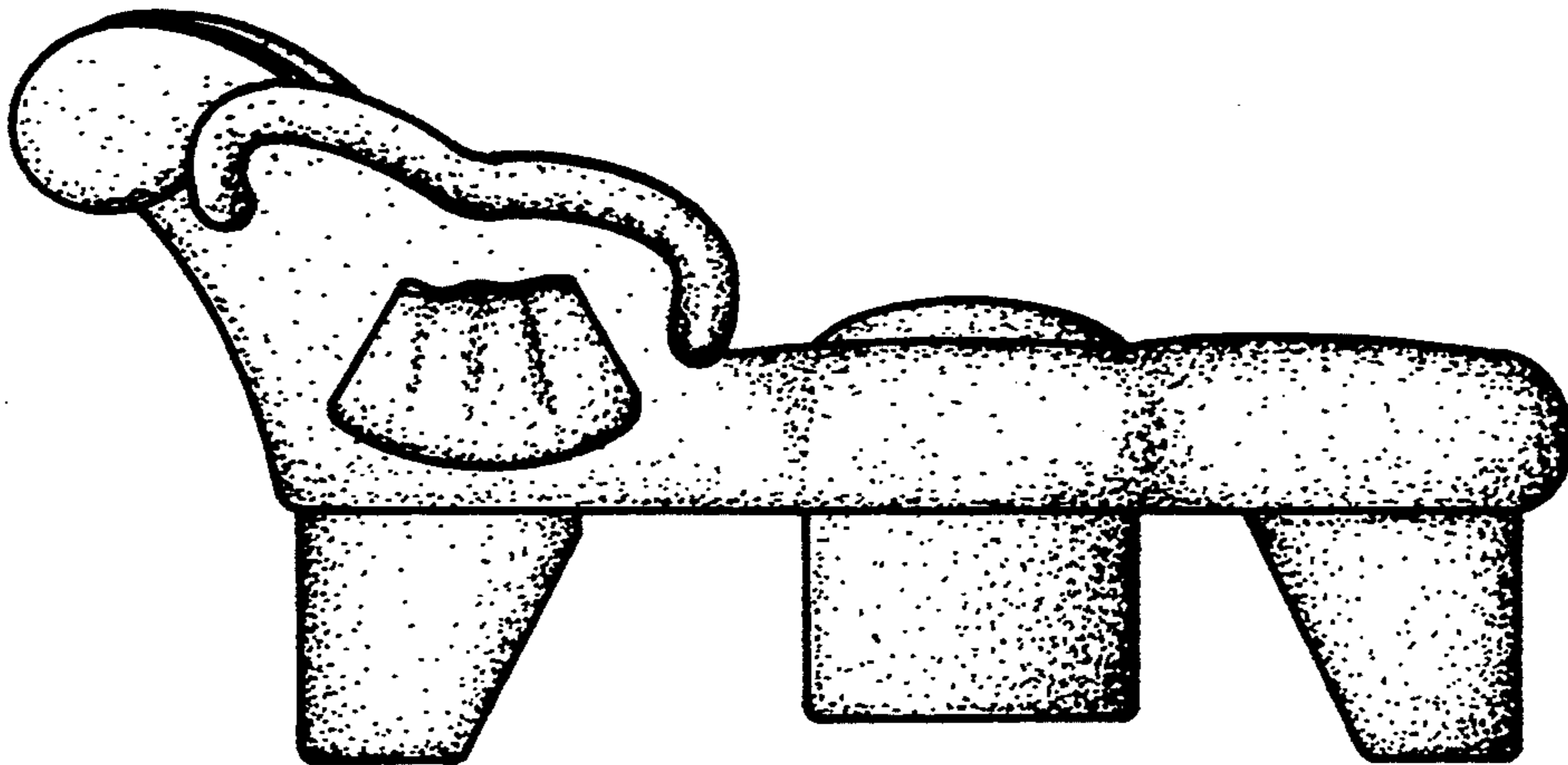
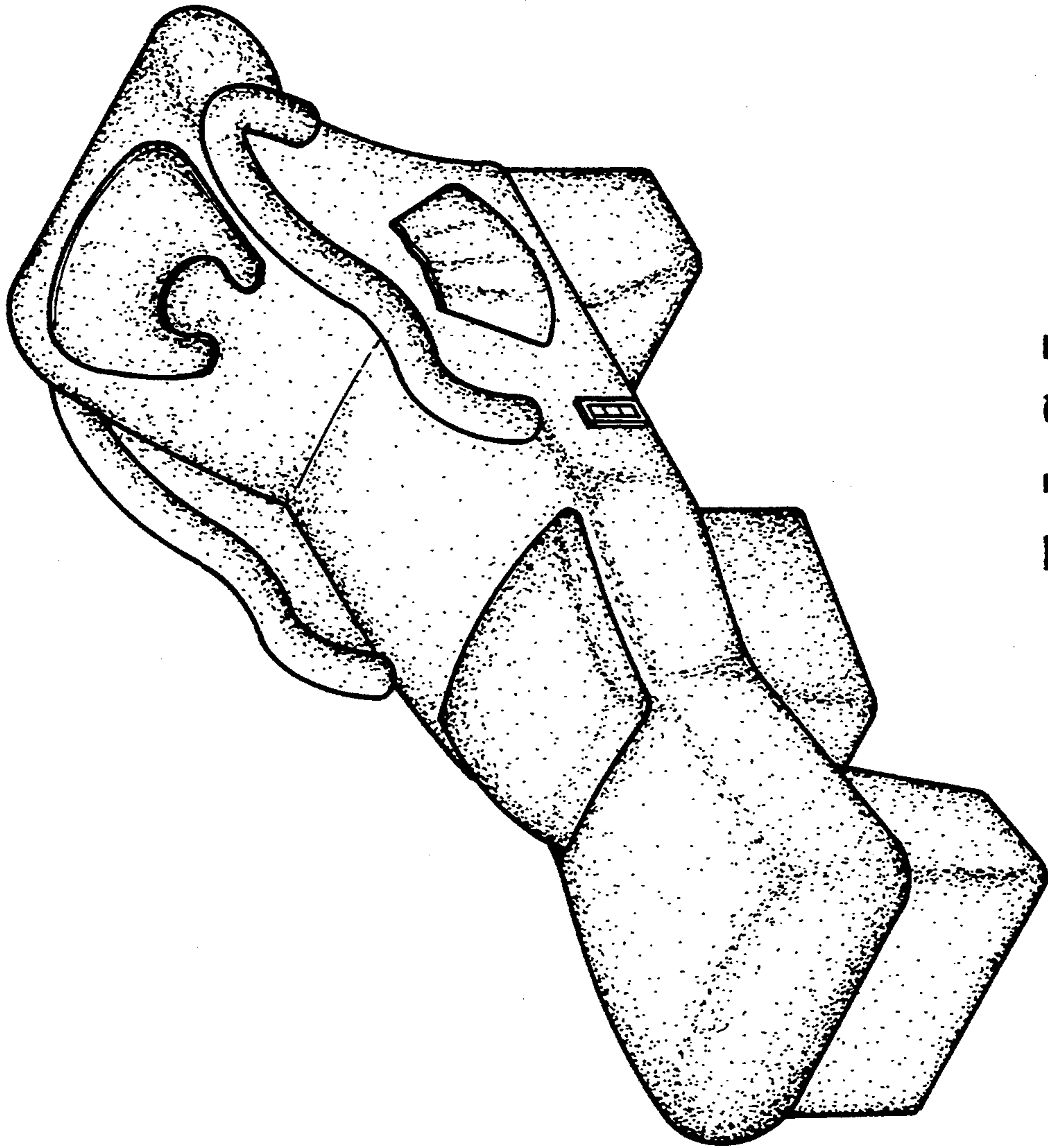


FIG. 4



F I G. 5

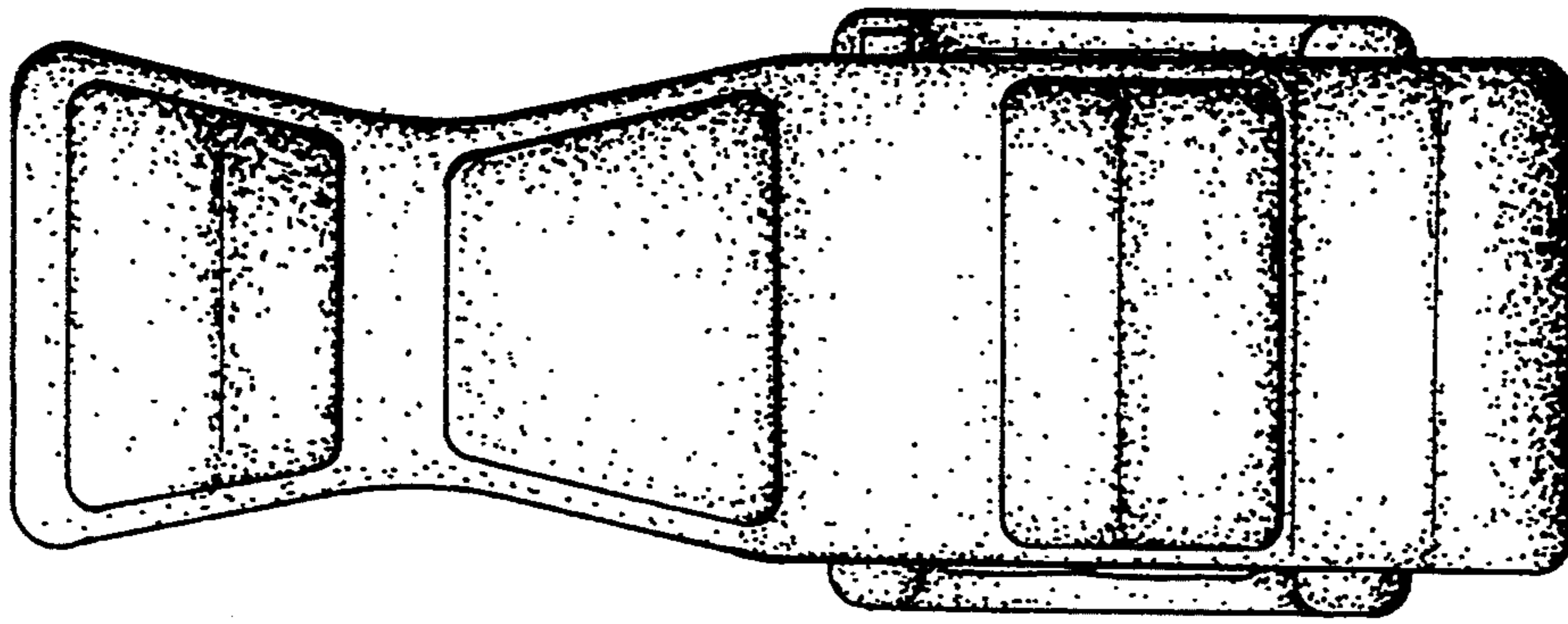


FIG. 6

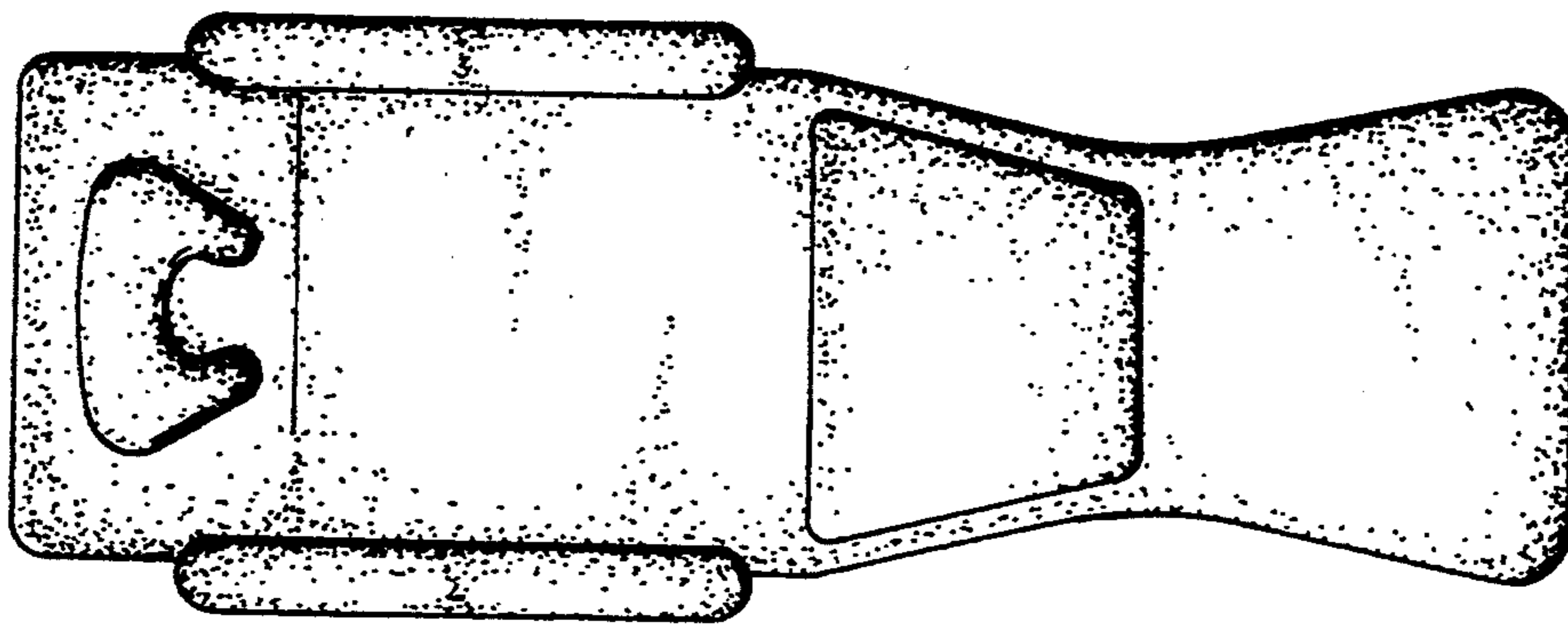


FIG. 7

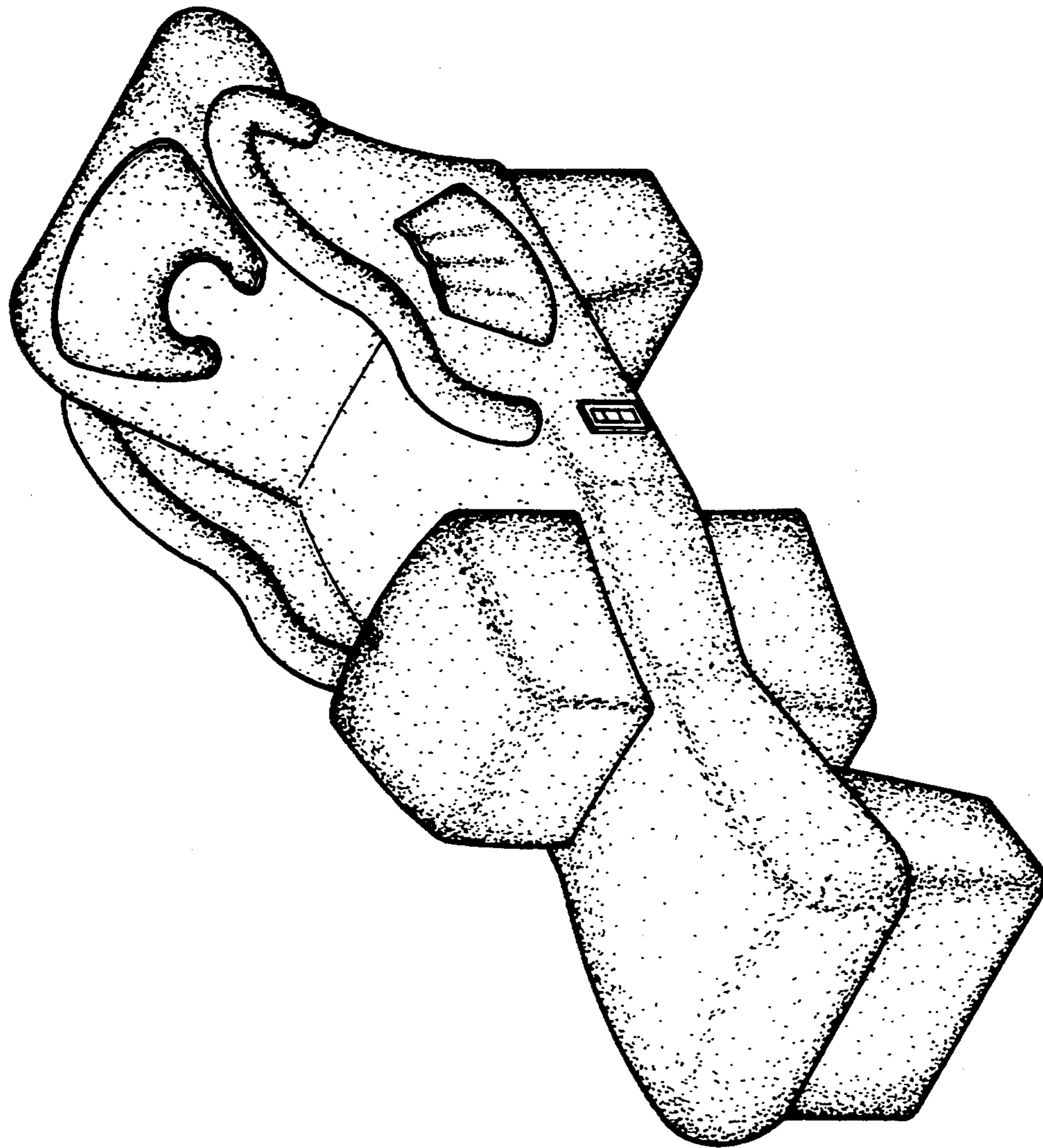


FIG. 8