



US00D357129S

United States Patent [19]

[11] Patent Number: **Des. 357,129**

Tiramani

[45] Date of Patent: **** Apr. 11, 1995**

[54] **BOOSTER SEAT WITH STORAGE**

[75] Inventor: **Paolo Tiramani**, Greenwich, Conn.

[73] Assignee: **Fun Designs, Inc.**, Duxbury, Mass.

[**] Term: **14 Years**

[21] Appl. No.: **9,663**

[22] Filed: **Jun. 16, 1993**

[52] U.S. Cl. **D6/336; D6/333**

[58] Field of Search **D6/333, 334, 335, 336, D6/339, 379, 380, 500, 501, 502; 297/192, 193**

[56] **References Cited**

U.S. PATENT DOCUMENTS

D. 230,784	3/1974	Lo Turco	D6/335
D. 283,855	5/1986	Kujawski	D6/333
D. 314,674	2/1991	Kohus et al.	D6/333
D. 335,773	5/1993	Douglas	D6/336
2,544,896	3/1951	Nidetch et al.	297/193 X

Primary Examiner—Nelson C. Holtje
Assistant Examiner—Gary D. Watson
Attorney, Agent, or Firm—Panitch Schwarze Jacobs & Nadel

[57] **CLAIM**

The ornamental design for a booster seat with storage, as shown and described.

DESCRIPTION

FIG. 1 is a front elevational view of a booster seat with storage showing my new design; FIG. 2 is a rear elevational view thereof; FIG. 3 is a top plan view thereof; FIG. 4 is a bottom plan view thereof; FIG. 5 is a right side elevational view, the left side being a mirror image thereof; FIG. 6 is a perspective view thereof; and, FIG. 7 is a perspective view thereof showing the backrest pivoted to a carrying position.

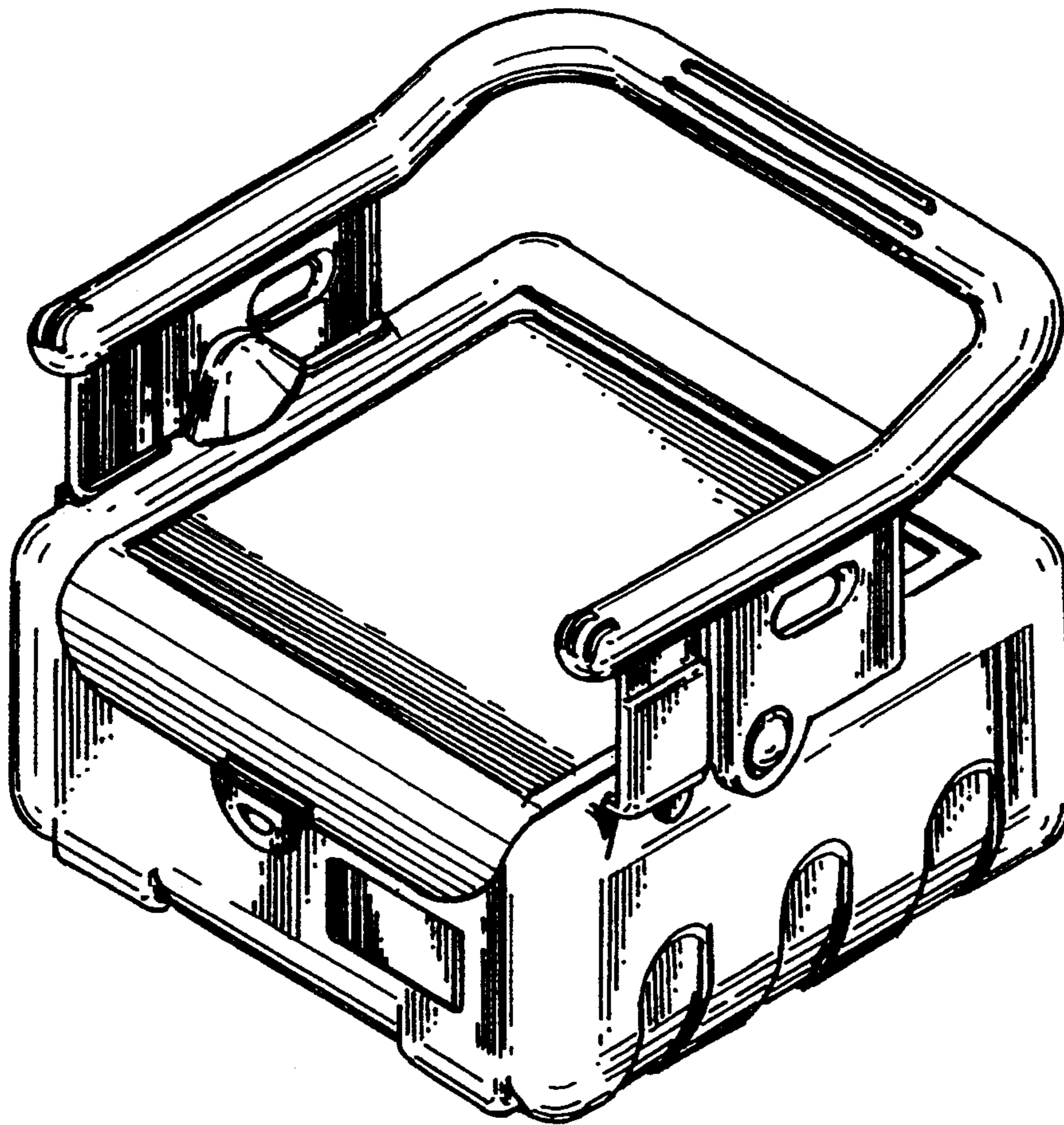


FIG. 1

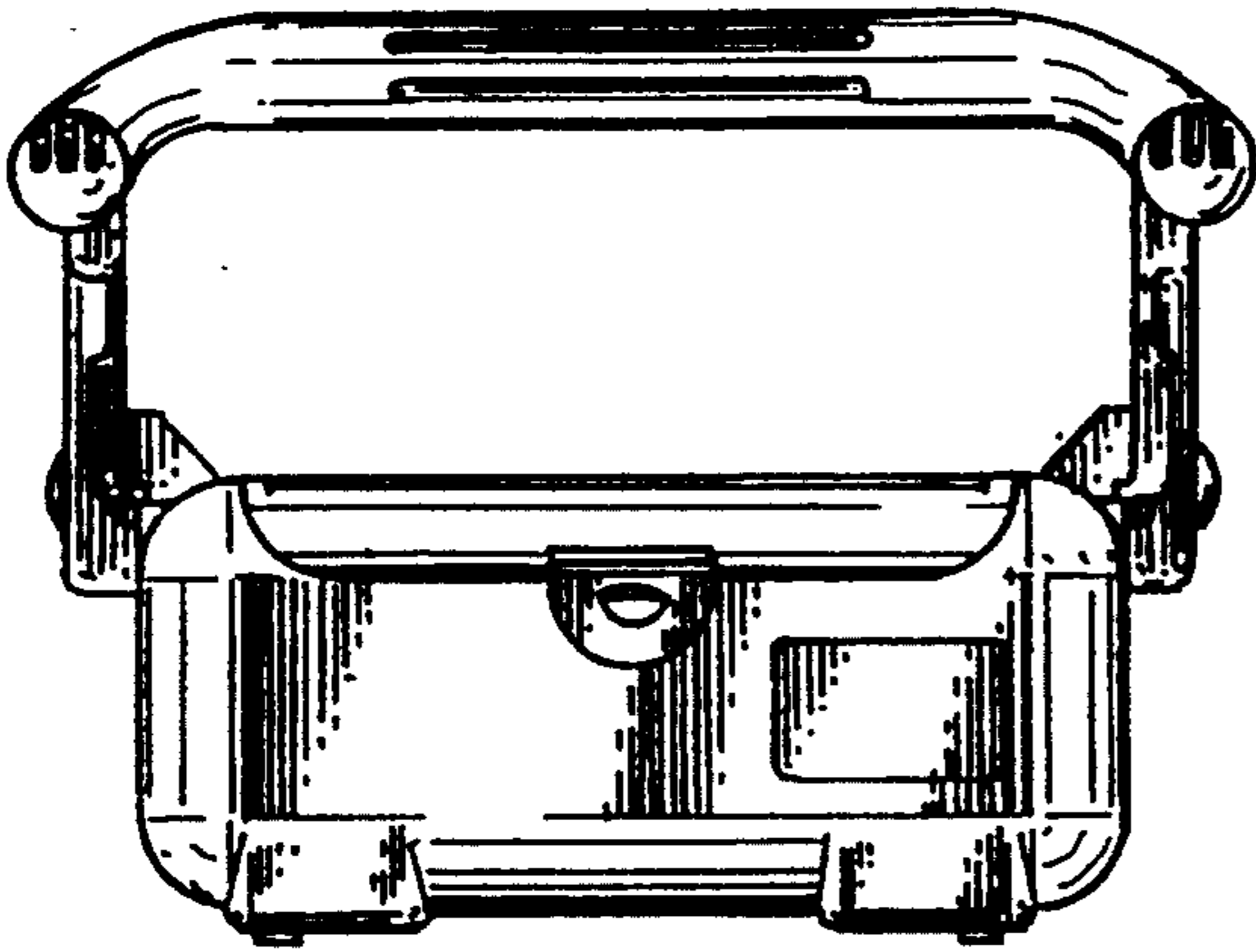


FIG. 2

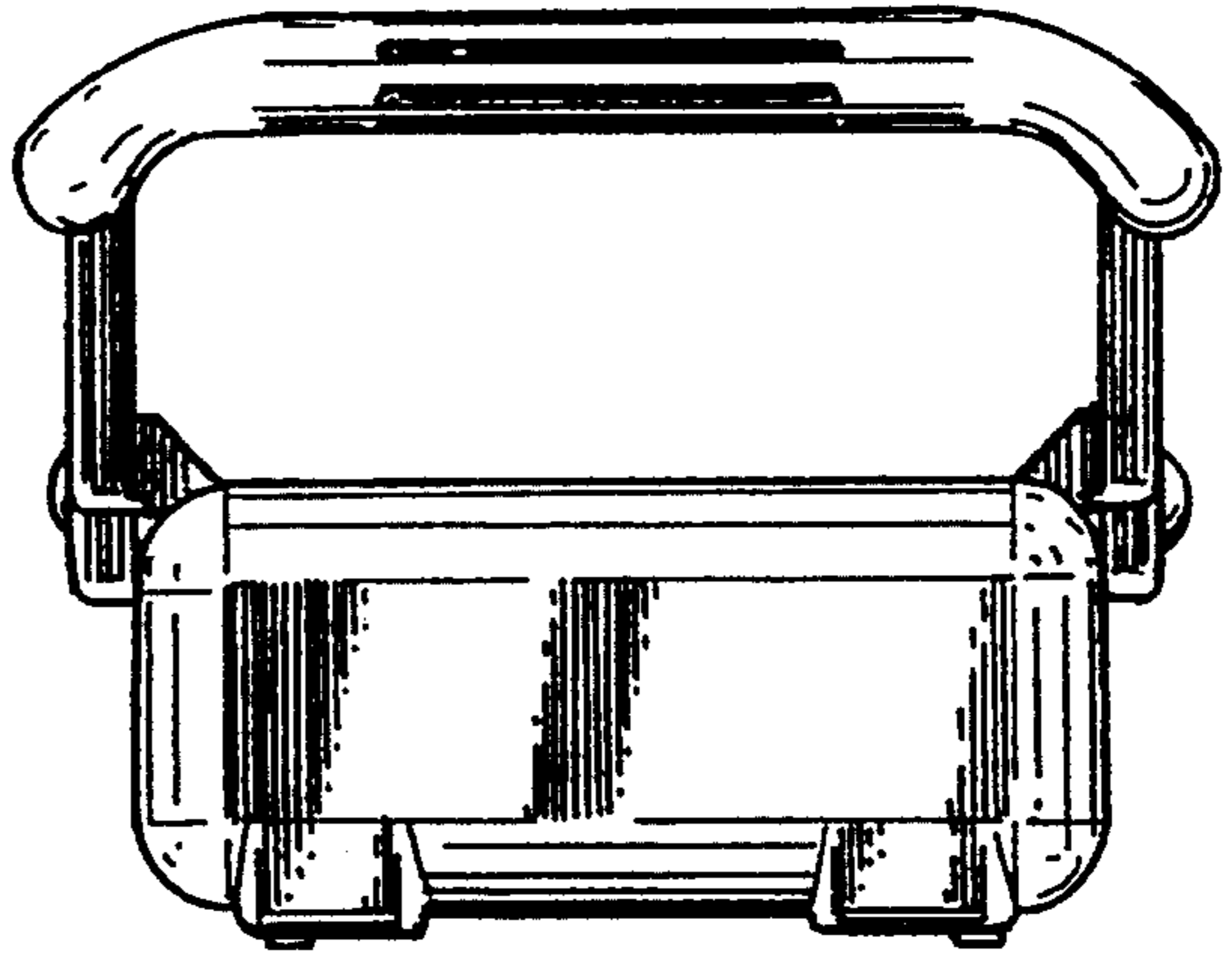


FIG. 3

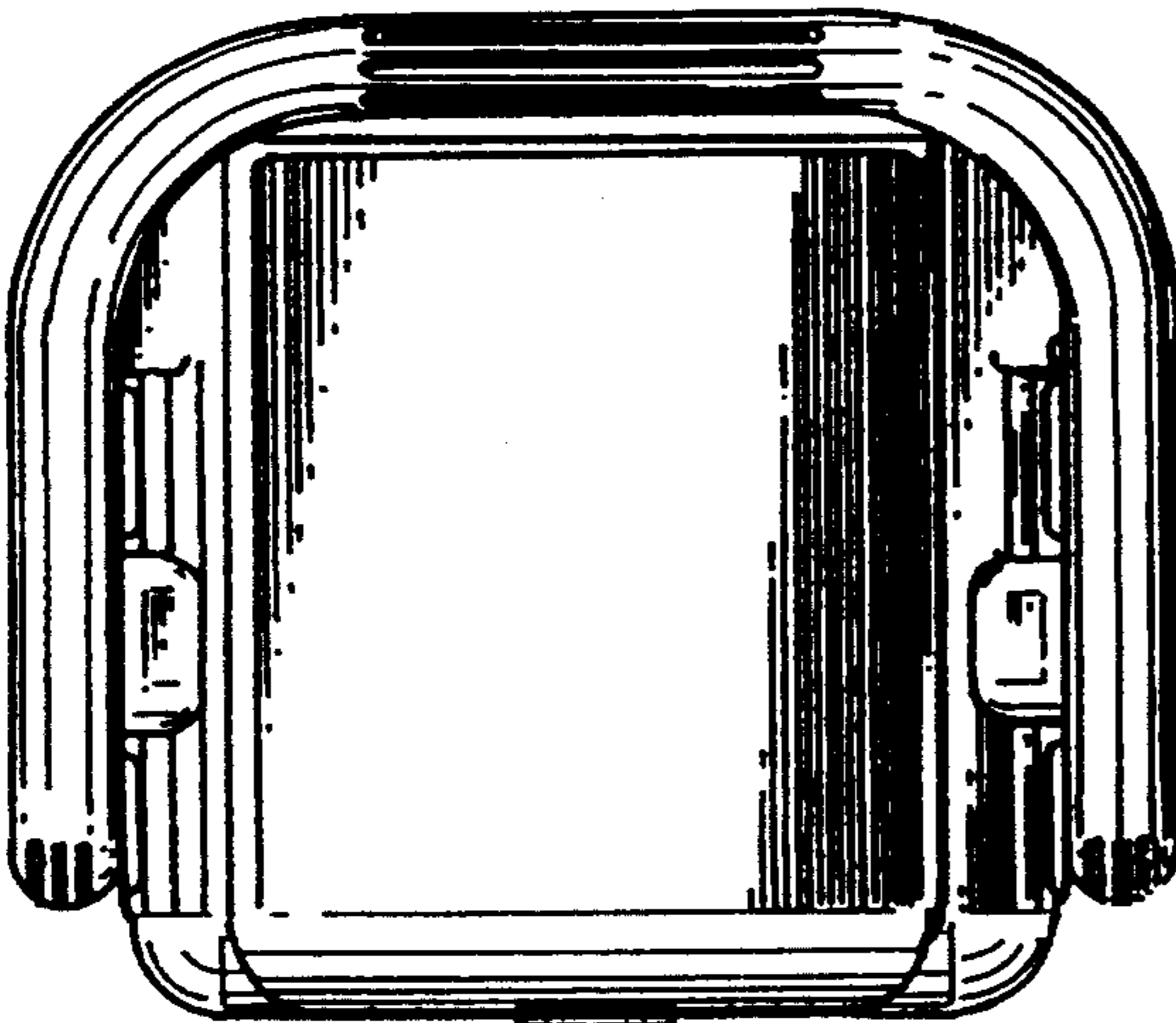


FIG. 4

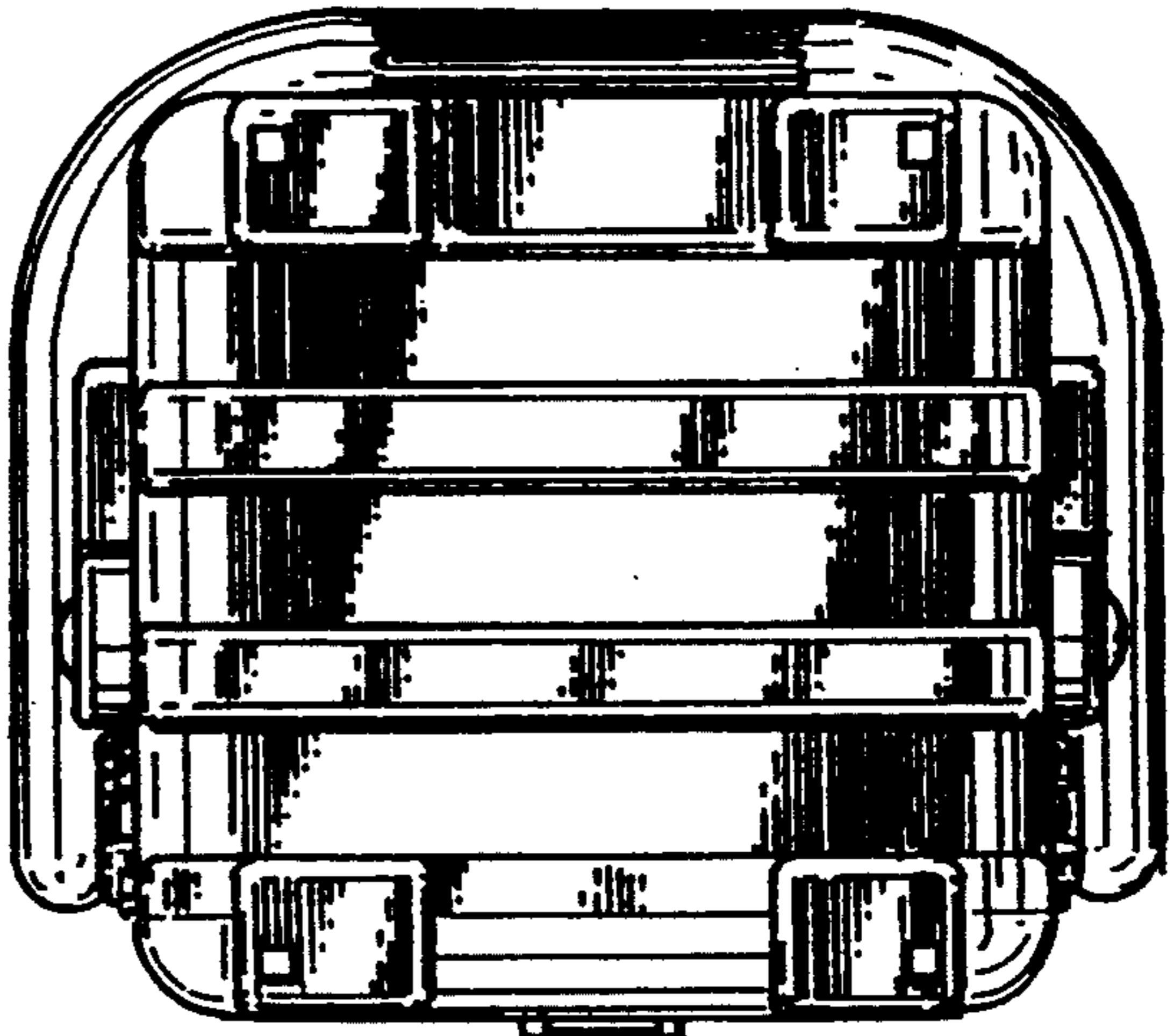


FIG. 5

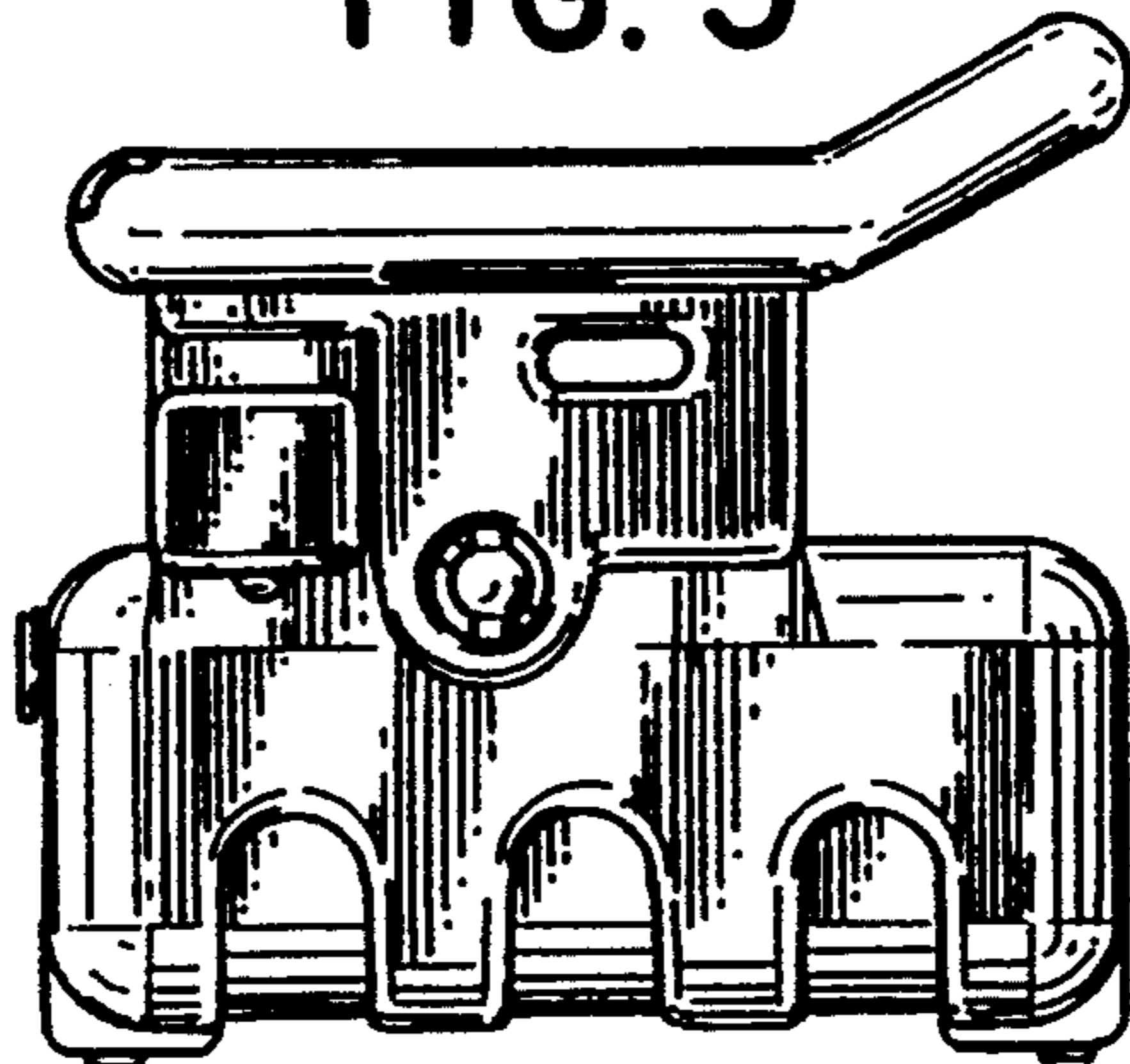


FIG. 6

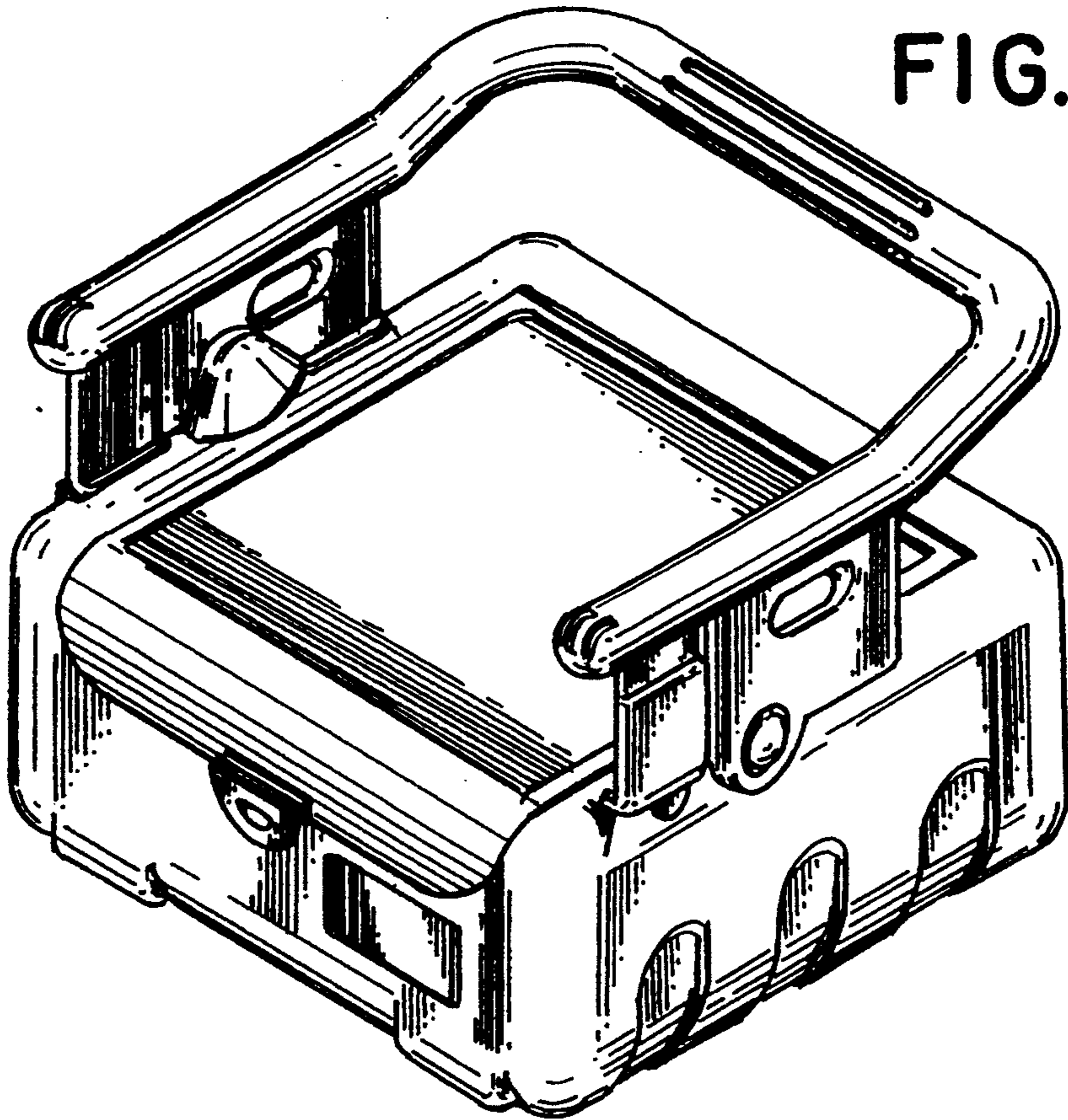


FIG. 7

