



US00D357128S

United States Patent [19]

[11] Patent Number: **Des. 357,128**

Watson et al.

[45] Date of Patent: **** Apr. 11, 1995**

[54] **COMBINATION HIGH CHAIR, ROCKING HORSE, AND DESK**

[76] Inventors: **Margaret Watson; Thomas Watson**, both of 2722 Sailor Ave., Ventura, Calif. 93001

[**] Term: **14 Years**

[21] Appl. No.: **939,374**

[22] Filed: **Sep. 3, 1992**

[52] U.S. Cl. **D6/335; D6/334; D6/339; D6/344**

[58] Field of Search **D6/351, 335, 339, 359, D6/344; 297/1, 3, 153, 273; D21/121, 123**

[56] **References Cited**

U.S. PATENT DOCUMENTS

D. 248,516	7/1978	Johansson	297/1 X
1,025,422	5/1912	Peters	297/1 X
1,326,415	12/1919	Negus	297/1
1,729,941	10/1929	Hocking et al.	297/1
3,879,083	4/1975	Olsson	297/1

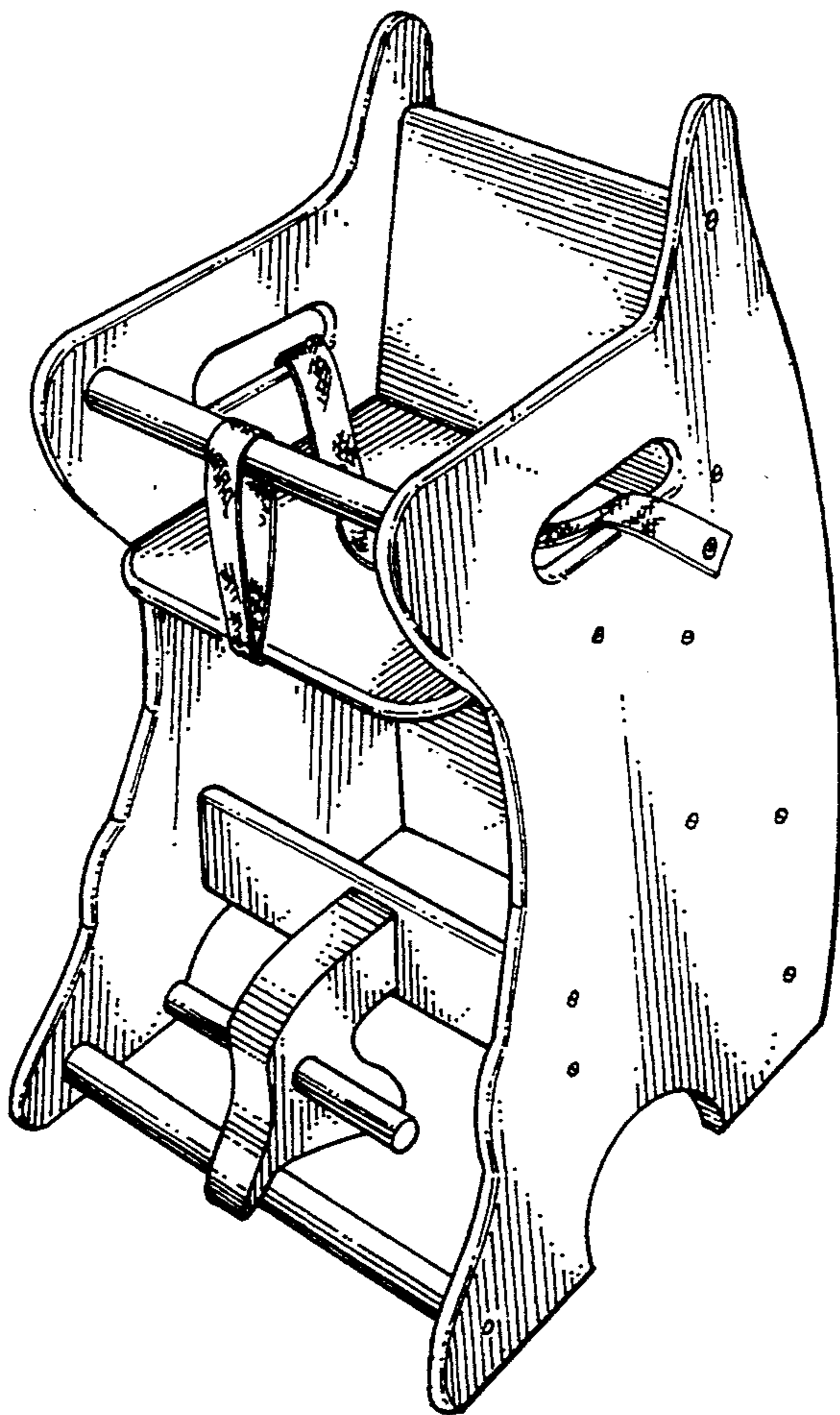
Primary Examiner—Wallace R. Burke
Assistant Examiner—Monica A. Hannon
Attorney, Agent, or Firm—Lewis Anten

[57] **CLAIM**

The ornamental design for a combination high chair, rocking horse, and desk, as shown and described.

DESCRIPTION

FIG. 1 is a front right perspective view of the combination high chair, rocking horse, and desk of FIG. 1 showing our new design as a high chair;
 FIG. 2 is a bottom right perspective view of the combination high chair, rocking horse, and desk of FIG. 1 showing our new design as a rocking horse;
 FIG. 3 is a rear right perspective view of the combination high chair, rocking horse, and desk of FIG. 1 showing our new design as a desk;
 FIG. 4 is a right side view of the combination high chair, rocking horse, and desk of FIG. 1. The left side is the same as the right side view;
 FIG. 5 is a front view of the combination high chair, rocking horse, and desk of FIG. 1;
 FIG. 6 is a rear view of the combination high chair, rocking horse, and desk of FIG. 1;
 FIG. 7 is a bottom view of the combination high chair, rocking horse, and desk of FIG. 1; and,
 FIG. 8 is a top view of the combination high chair, rocking horse, and desk of FIG. 1.



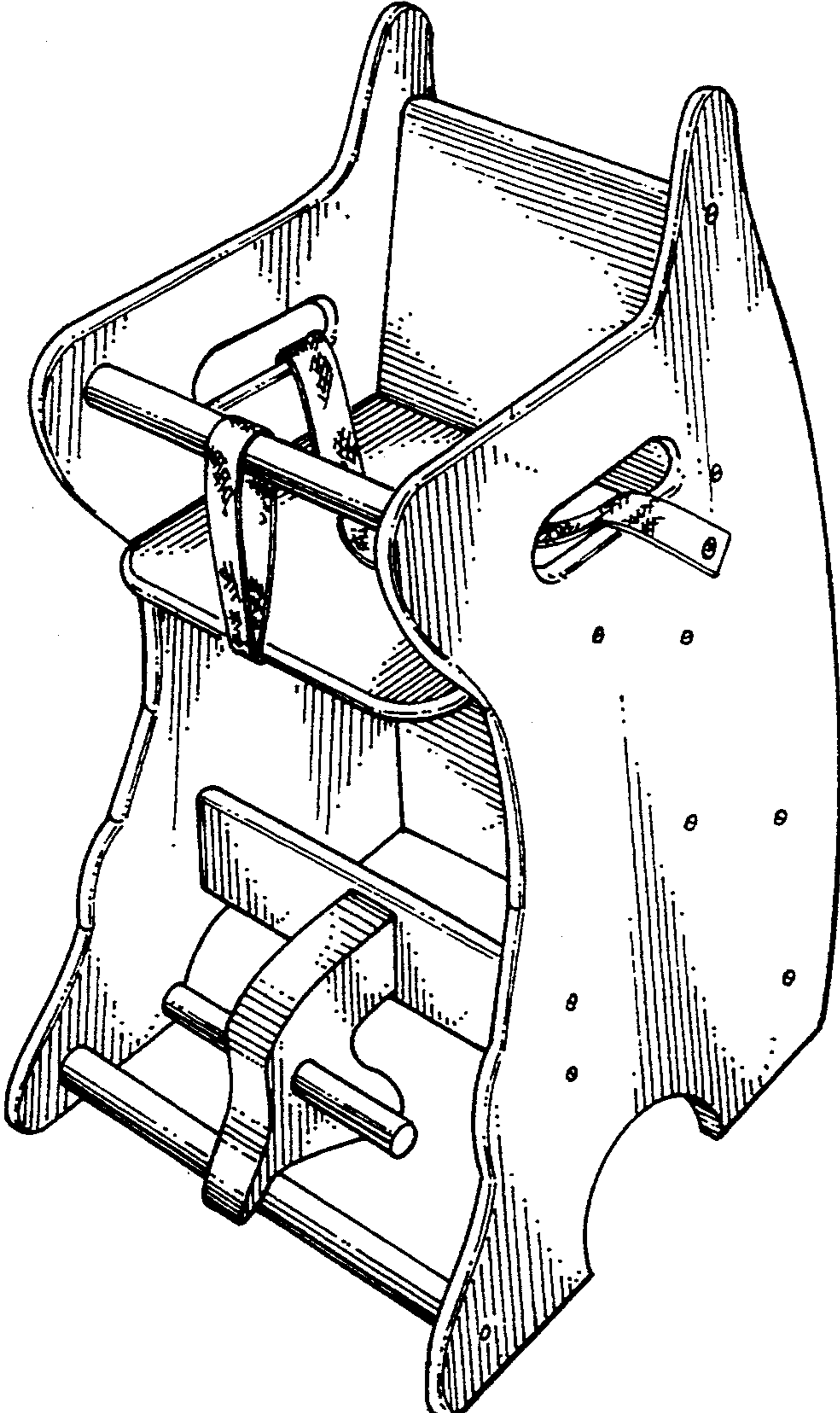


FIG. 1

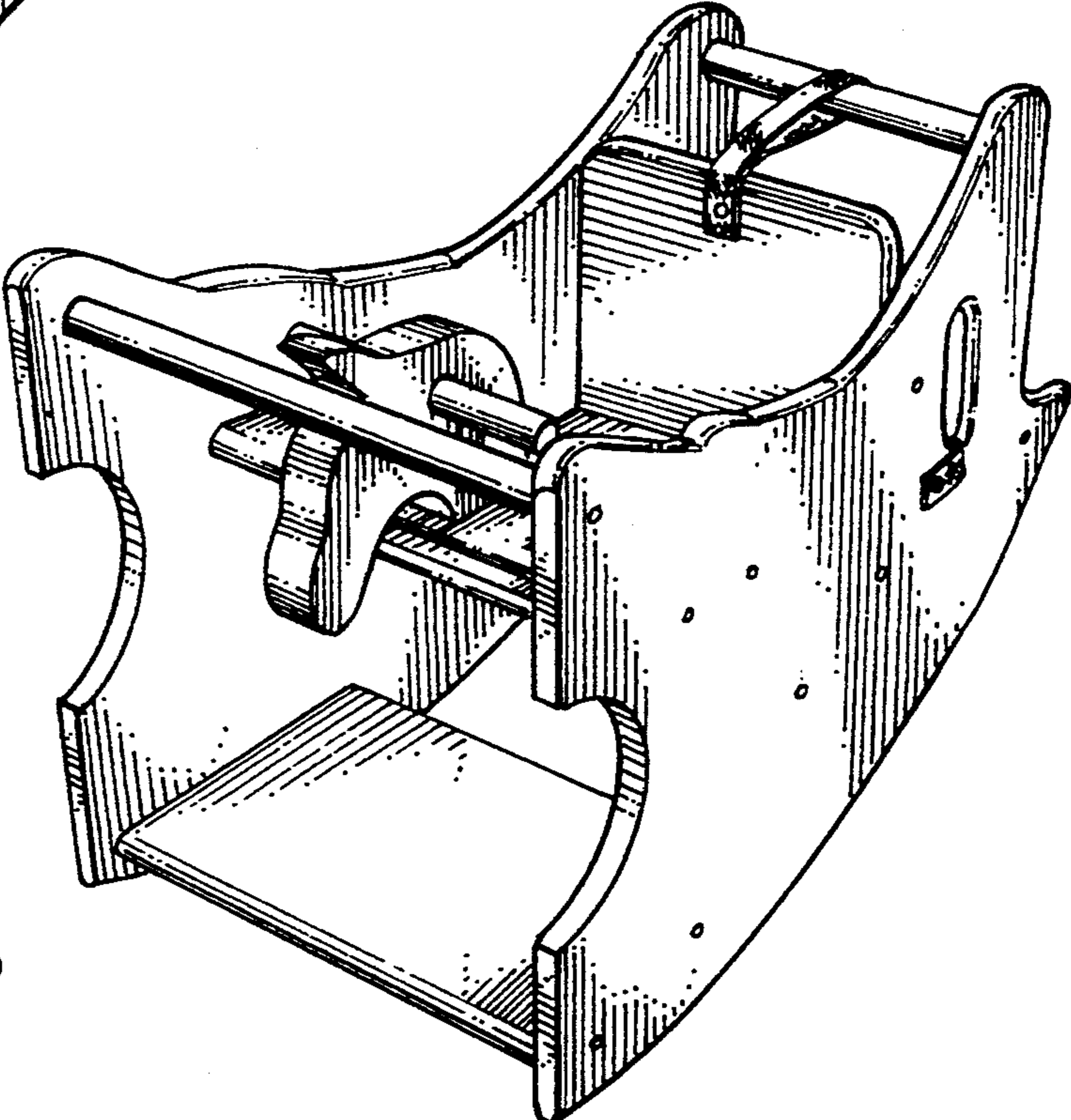


FIG. 2

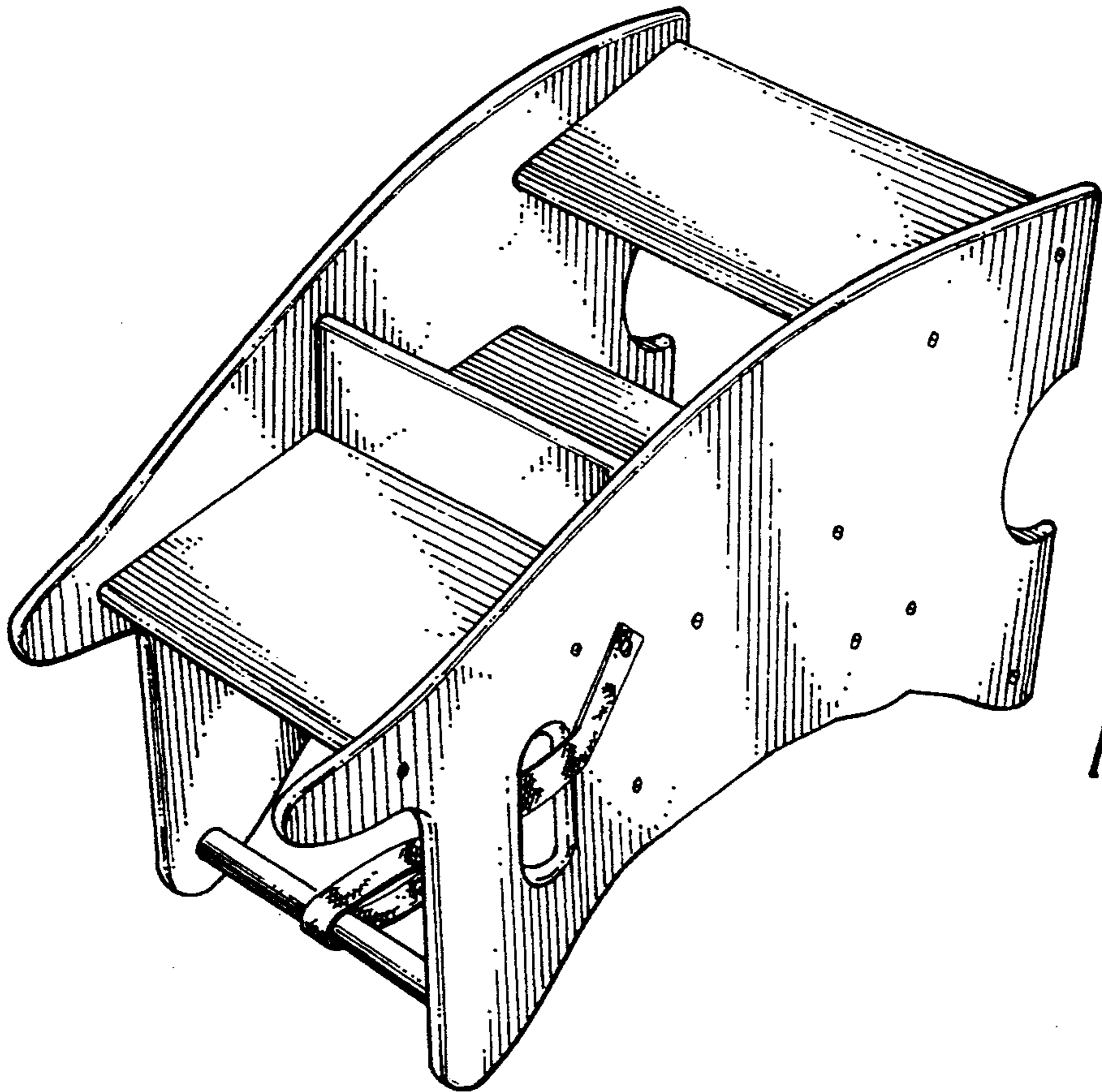


FIG. 3

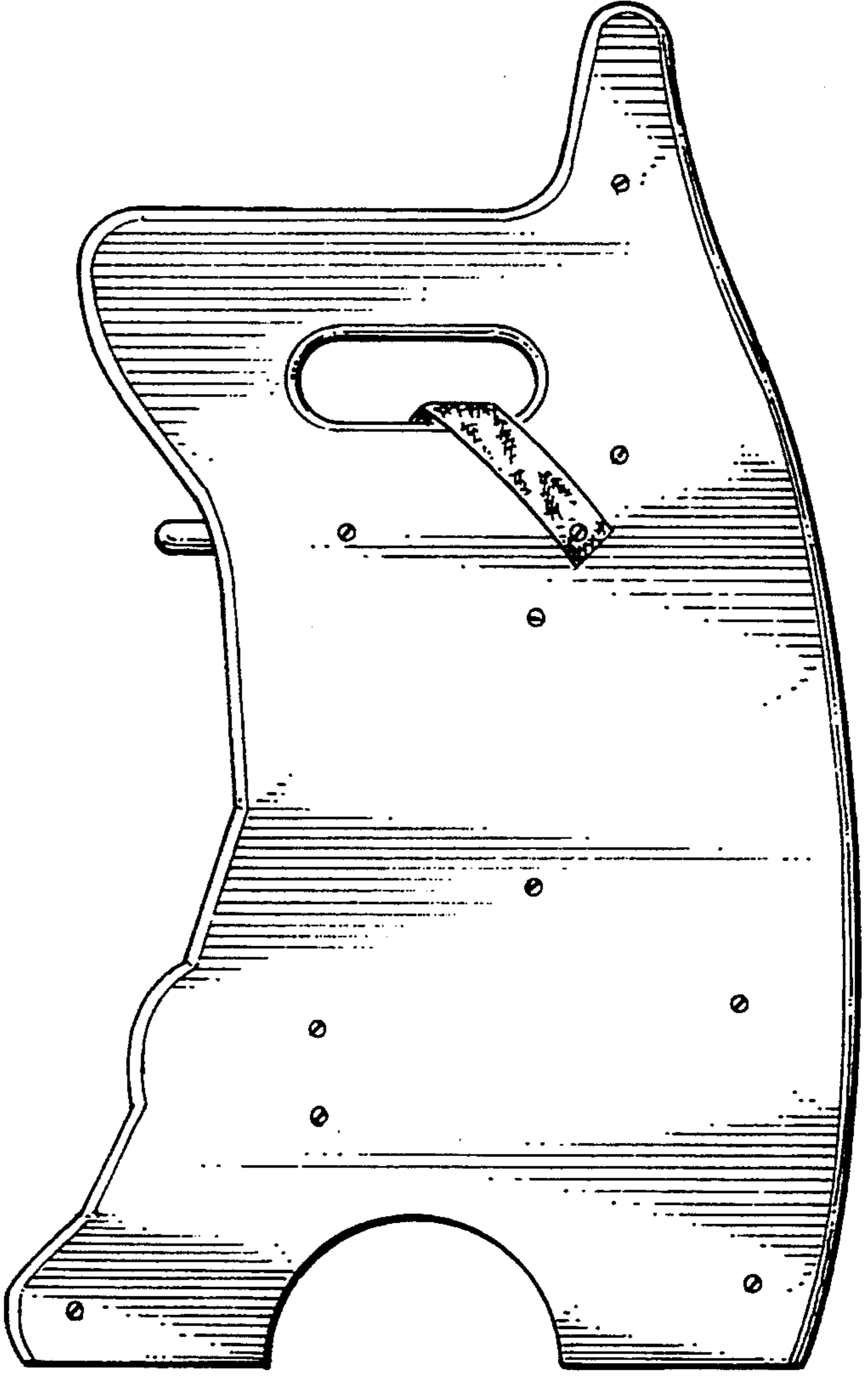


FIG. 4

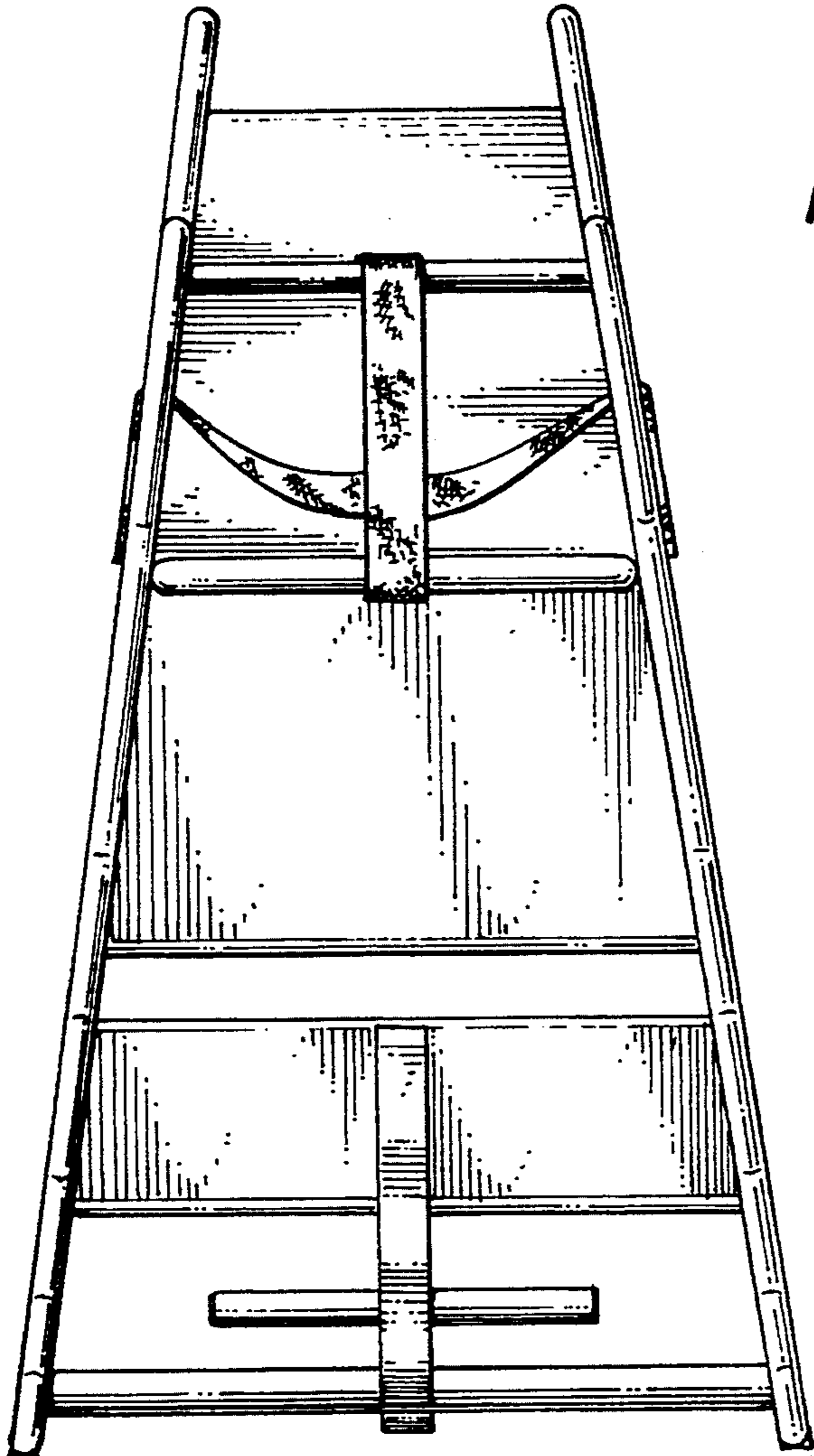


FIG. 5

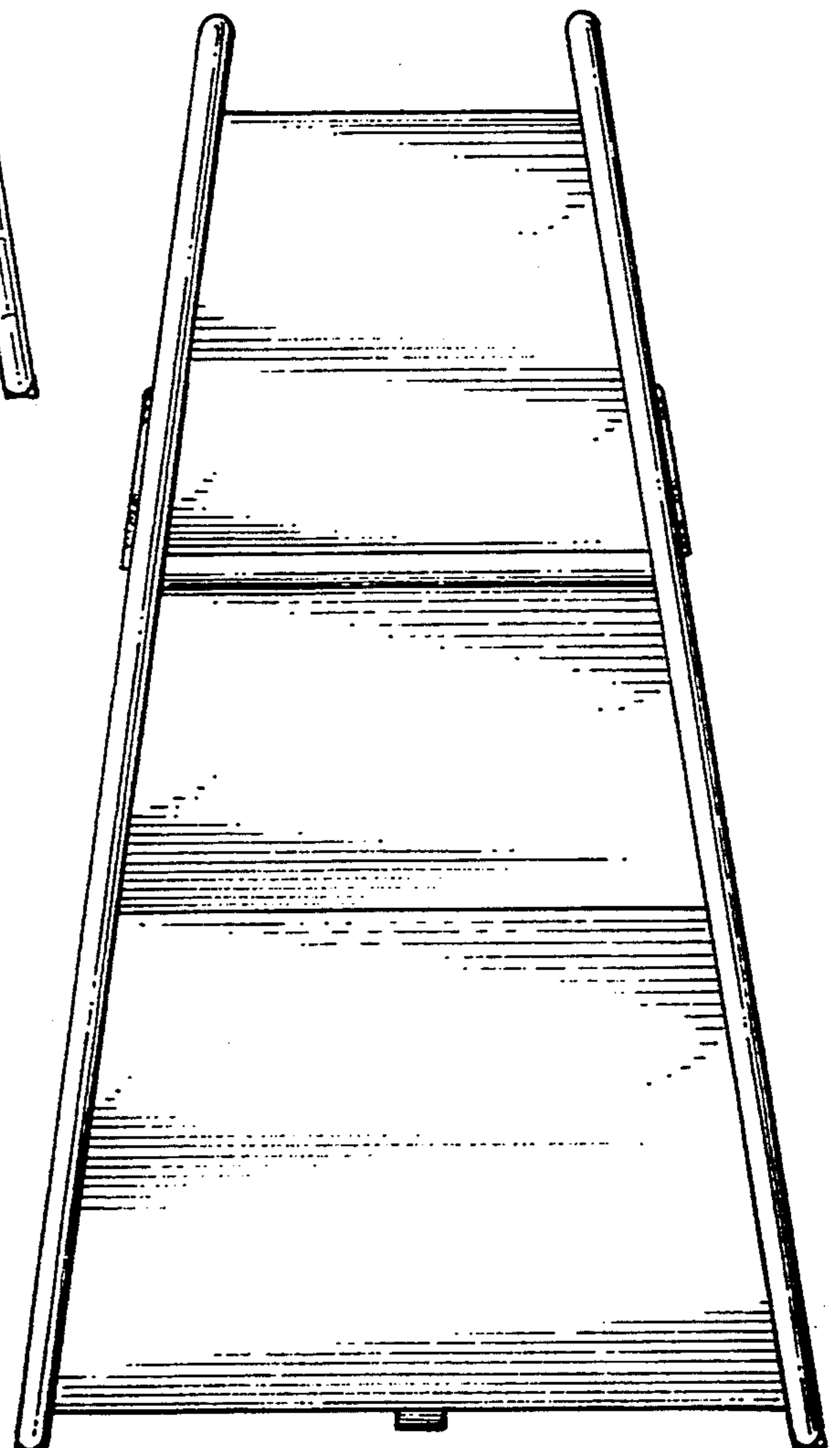


FIG. 6

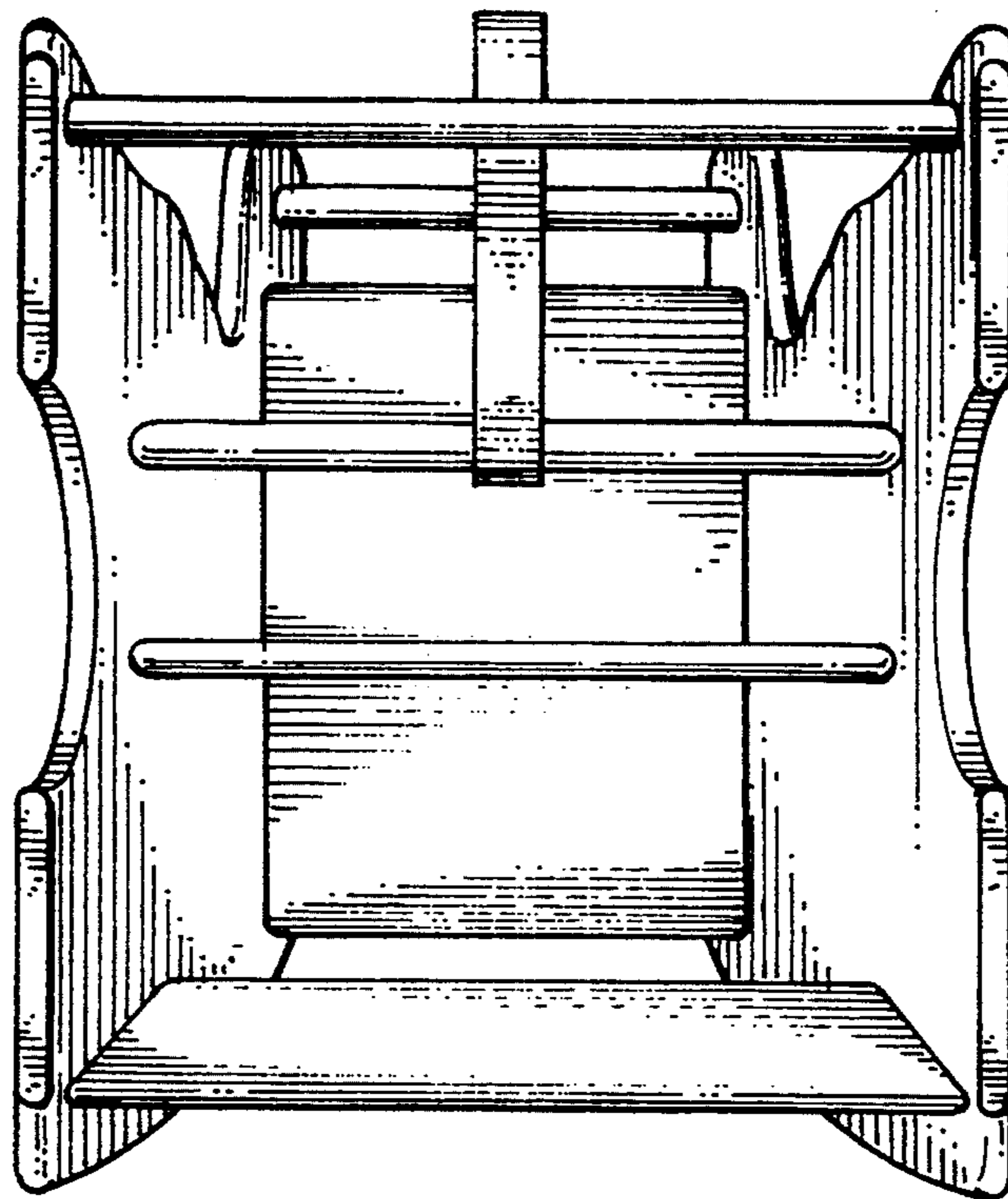


FIG. 7

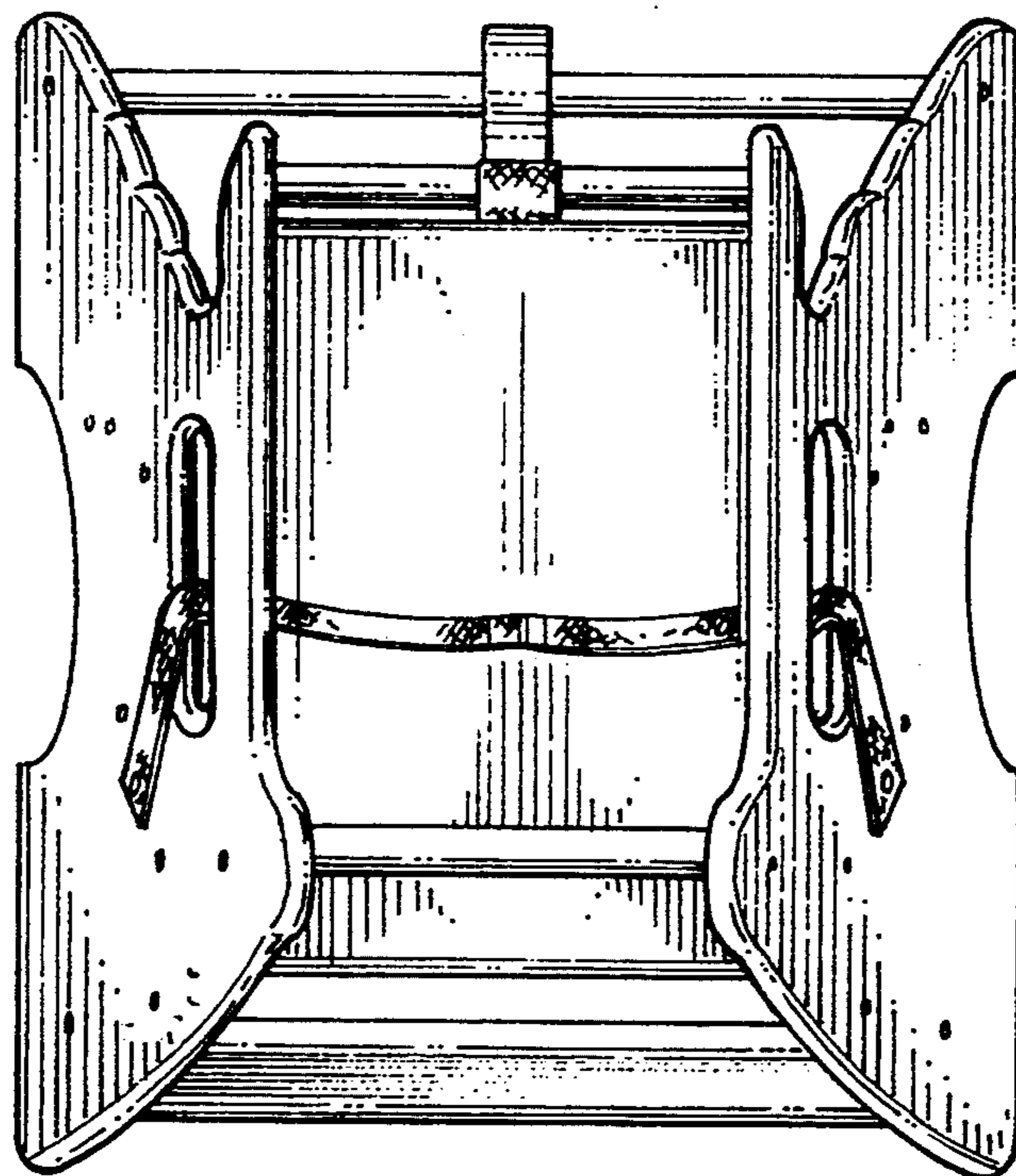


FIG. 8