



US00D357124S

# United States Patent [19]

[11] Patent Number: Des. 357,124

Greenhouse et al.

[45] Date of Patent: \*\* Apr. 11, 1995

[54] **COMBINED TOOTHBRUSH AND TOOTHPASTE DISPENSER**

5,244,298 9/1993 Greenhouse ..... 401/191

[75] Inventors: **Albert M. Greenhouse**, 355 Southend Ave., New York, N.Y. 10280; **Joseph Melo**, Mineola, N.Y.

*Primary Examiner*—James M. Gandy  
*Assistant Examiner*—Lavone D. Tabor  
*Attorney, Agent, or Firm*—Stanley J. Yavner

[73] Assignee: **Albert M. Greenhouse**, New York, N.Y.

[57] **CLAIM**

[\*\*] Term: **14 Years**

The ornamental design for a combined toothbrush and toothpaste dispenser, as shown and described.

[21] Appl. No.: **8,787**

**DESCRIPTION**

[22] Filed: **May 28, 1993**

[52] U.S. Cl. .... **D4/108; D4/114; D4/121**

FIG. 1 is a front, top and left side isometric view of the embodying our new design;

FIG. 2 is a top plan view thereof;

FIG. 3 is a right side elevational view thereof;

FIG. 4 is a front elevational view thereof;

FIG. 5 is a rear elevational view thereof;

FIG. 6 is a bottom plan view thereof; and,

FIG. 7 is a front, top and left side isometric view of the combined toothbrush and toothpaste dispenser of FIG. 1 with the toothbrush telescoped into the front thereof, and the tooth paste nozzle at the top thereof moved to a feeding position above the bristles thereof; and in FIG. 7, broken lines are used to show the tooth paste tube, with which the claimed design is used, but such showings are for illustrative purposes only and form no part of the claimed design.

[58] **Field of Search** ..... **D4/104-112, D4/114, 116, 121, 129, 134, 138; 15/105, 143.1, 144.4, 159.1, 160, 167.1, 167.2; 32/308-309, 311; 401/129, 150-151, 175-176, 183-184, 190-191, 268, 270, 272, 275, 280**

[56] **References Cited**

**U.S. PATENT DOCUMENTS**

3,613,698 10/1971 Fox ..... 401/129 X  
3,816,007 6/1974 Fox ..... 401/191 X  
4,695,177 9/1987 Kuo ..... 401/150

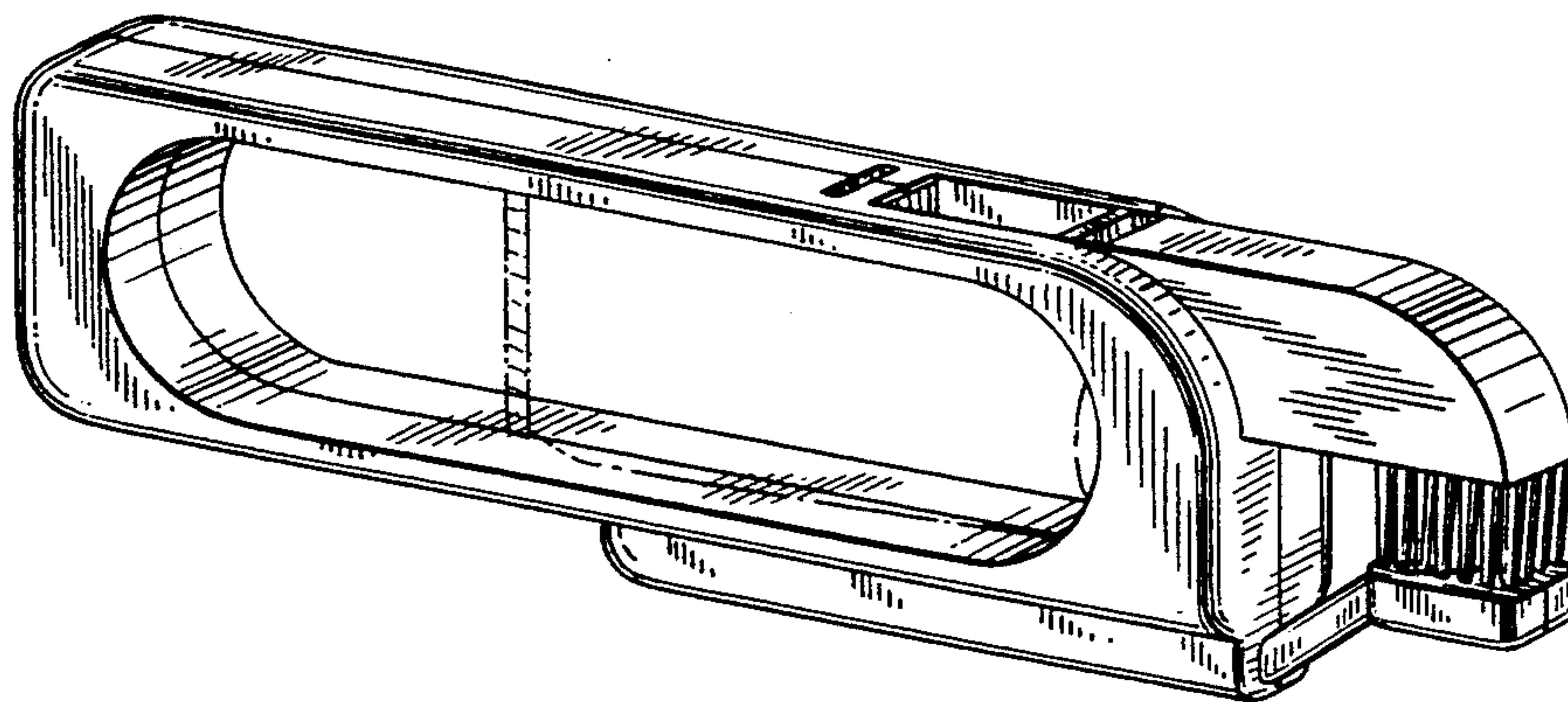
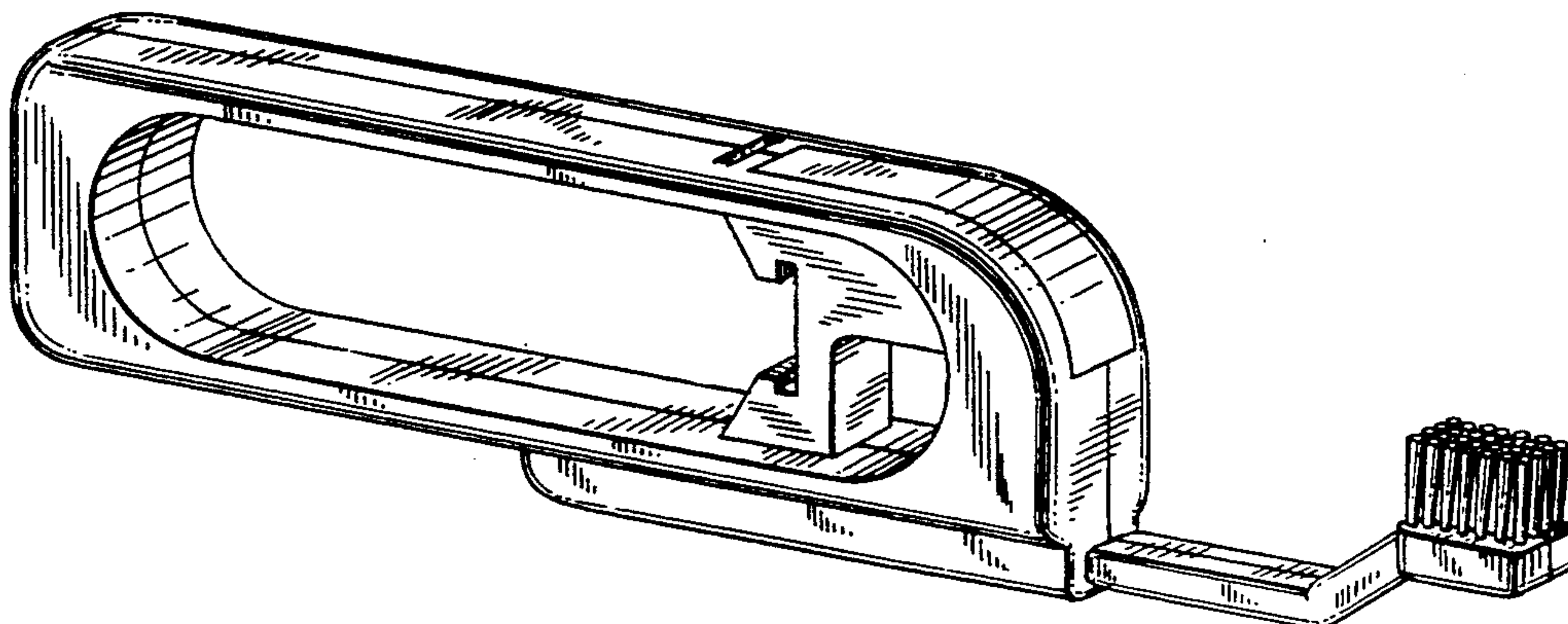
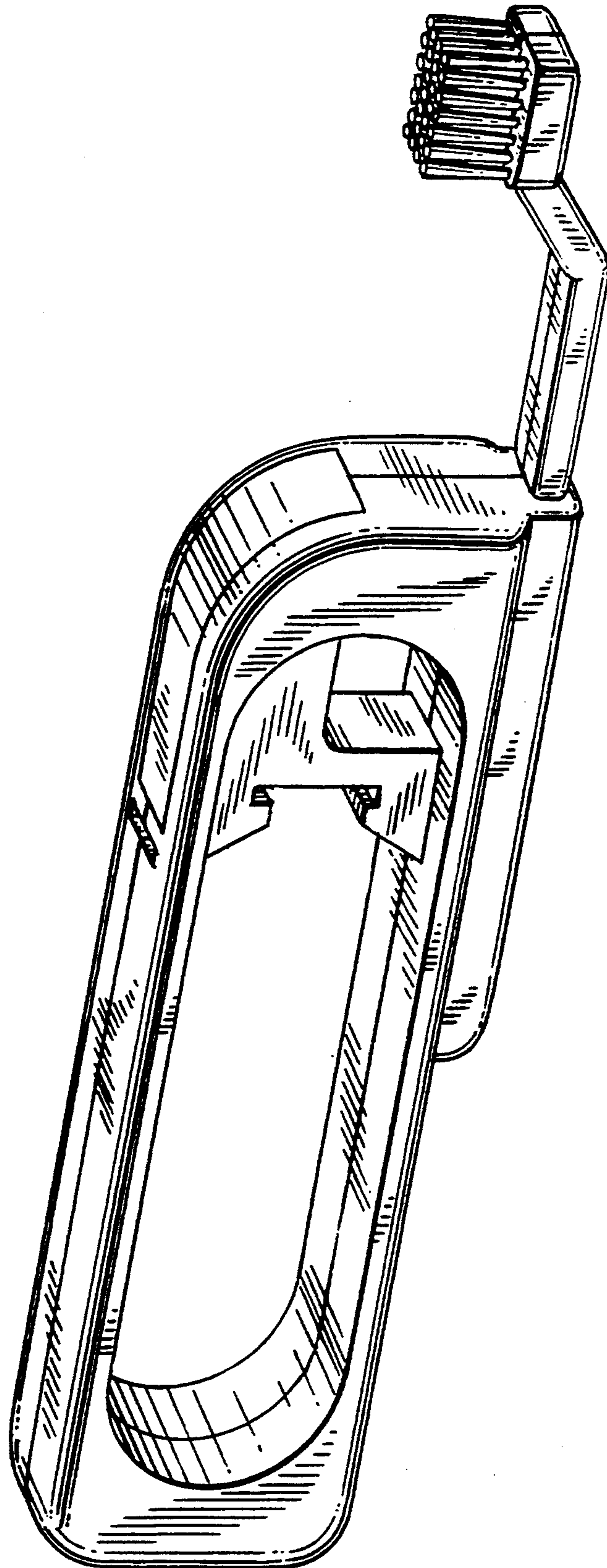


FIG. 1



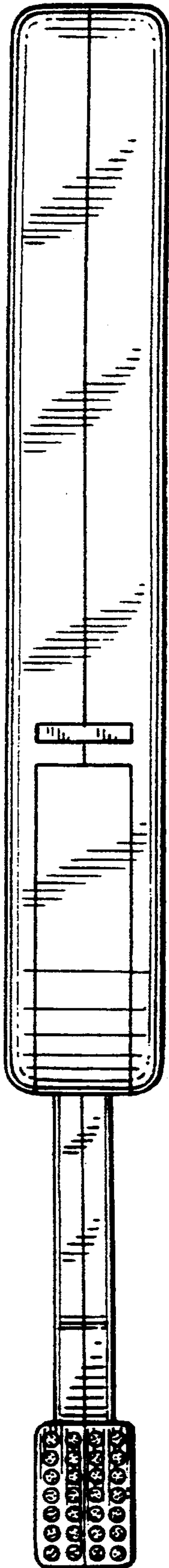
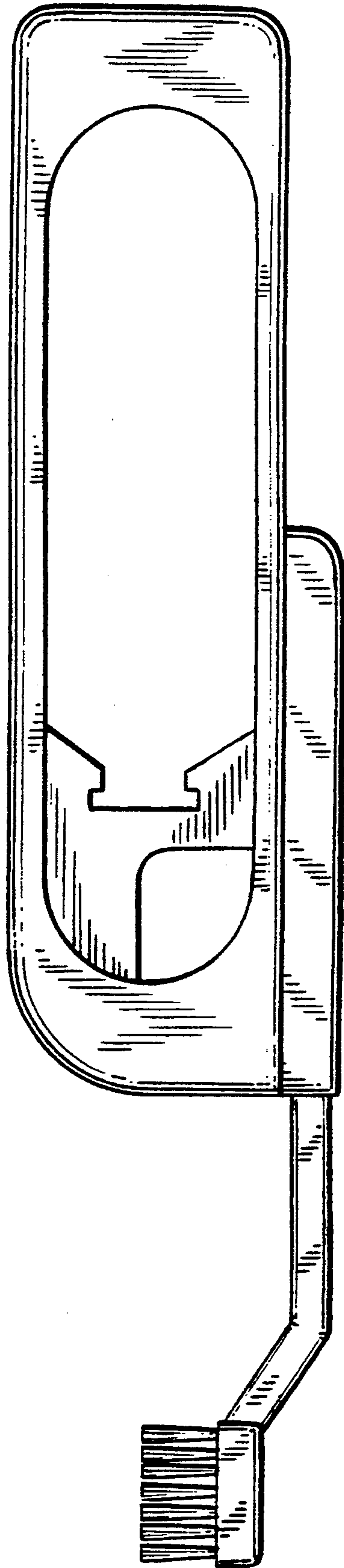


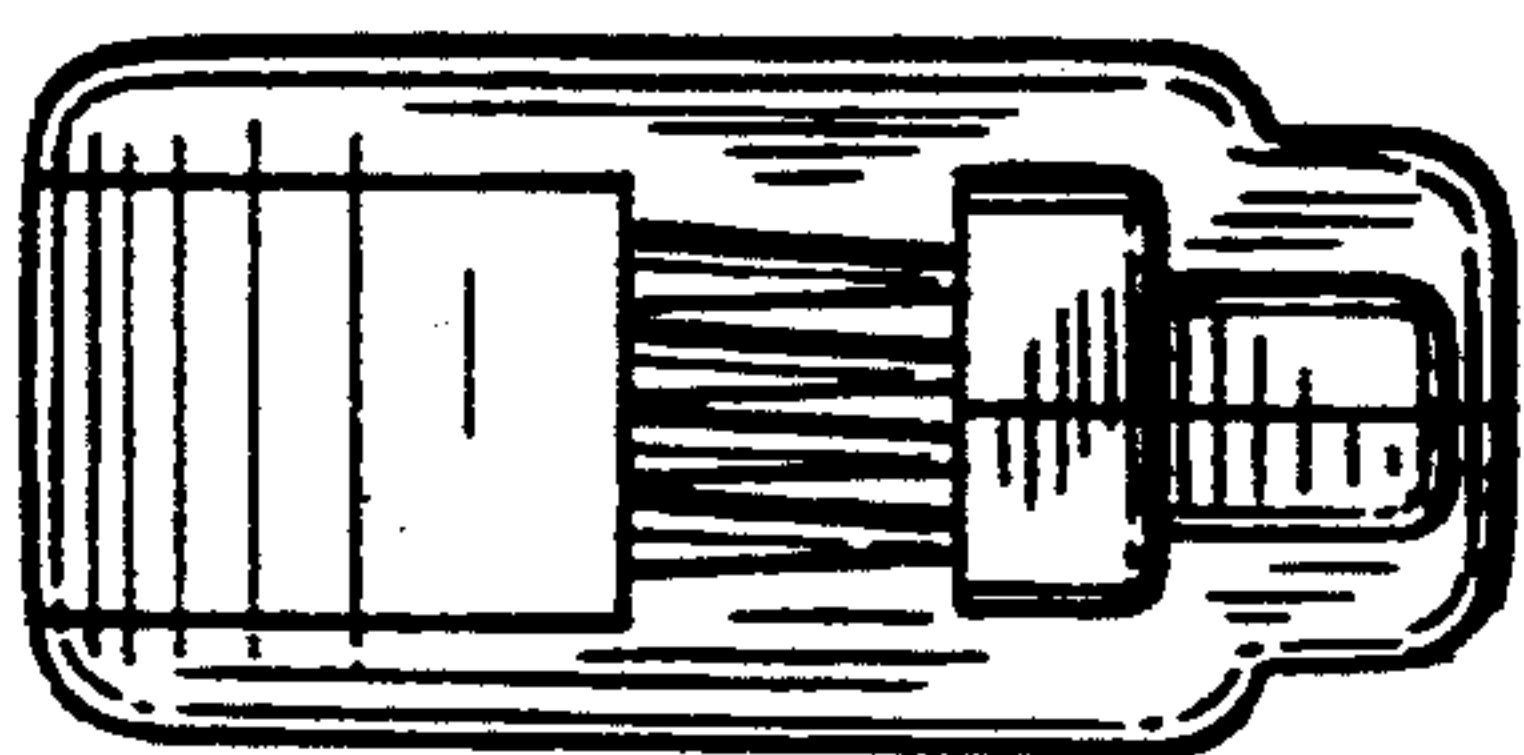
FIG. 2

FIG. 3





*FIG. 4*



*FIG. 5*



*FIG. 6*

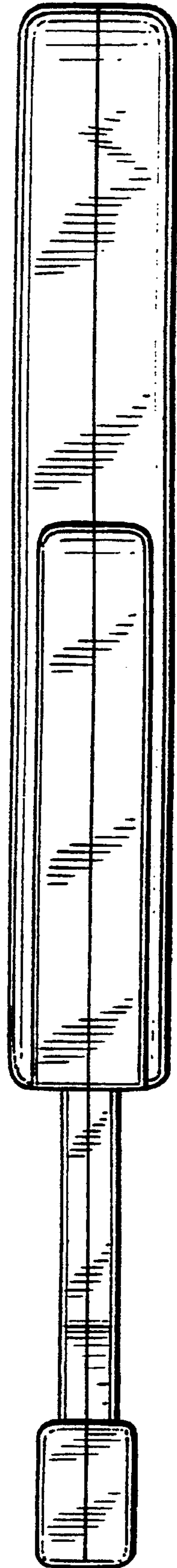


FIG. 7

