



US00D357122S

# United States Patent [19]

[11] Patent Number: Des. 357,122

Honda

[45] Date of Patent: \*\* Apr. 11, 1995

[54] TOOTHBRUSH

2,823,404 2/1958 Hyman ..... 15/145

[75] Inventor: Hidetoshi Honda, Hirataka, Japan

### FOREIGN PATENT DOCUMENTS

[73] Assignee: Shiken, Ltd., Japan

900692 1/1954 Germany ..... 15/176.6

[\*\*] Term: 14 Years

Primary Examiner—James M. Gandy  
Assistant Examiner—Lavone D. Tabor  
Attorney, Agent, or Firm—Gifford, Krass, Groh,  
Sprinkle, Patmore, Anderson & Citkowski

[21] Appl. No.: 831,281

[22] Filed: Jan. 31, 1992

### [57] CLAIM

The ornamental design for a toothbrush, as shown and described.

### Related U.S. Application Data

[62] Division of Ser. No. 66,841, Jun. 25, 1987, Pat. No. Des. 325,302.

### DESCRIPTION

### [30] Foreign Application Priority Data

Dec. 2, 1986 [JP] Japan ..... 61-51534

Dec. 27, 1986 [JP] Japan ..... 61-51533

[52] U.S. Cl. .... D4/104

[58] Field of Search ..... D4/104-113,  
D4/134, 138; 15/143.1, 159.1, 160, 167.1,  
167.2, 176.1

FIG. 1 is a perspective view of the toothbrush;  
FIG. 2 is a front view of the toothbrush;  
FIG. 3 is a right side view of the toothbrush;  
FIG. 4 is a rear view of the toothbrush;  
FIG. 5 is a sectional view of the toothbrush taken along lines 5—5 of FIG. 2;  
FIG. 6 is a top view of the toothbrush;  
FIG. 7 is a bottom view of the toothbrush;  
FIG. 8 is a sectional view of the toothbrush taken along lines 8—8 of FIG. 2;  
FIG. 9 is a sectional view of the toothbrush taken along lines 9—9 of FIG. 2;  
FIG. 10 is a sectional view of the toothbrush taken along lines 10—10 of FIG. 2; and,  
FIG. 11 is a sectional view of the toothbrush taken along lines 11—11 of FIG. 2.

### [56] References Cited

#### U.S. PATENT DOCUMENTS

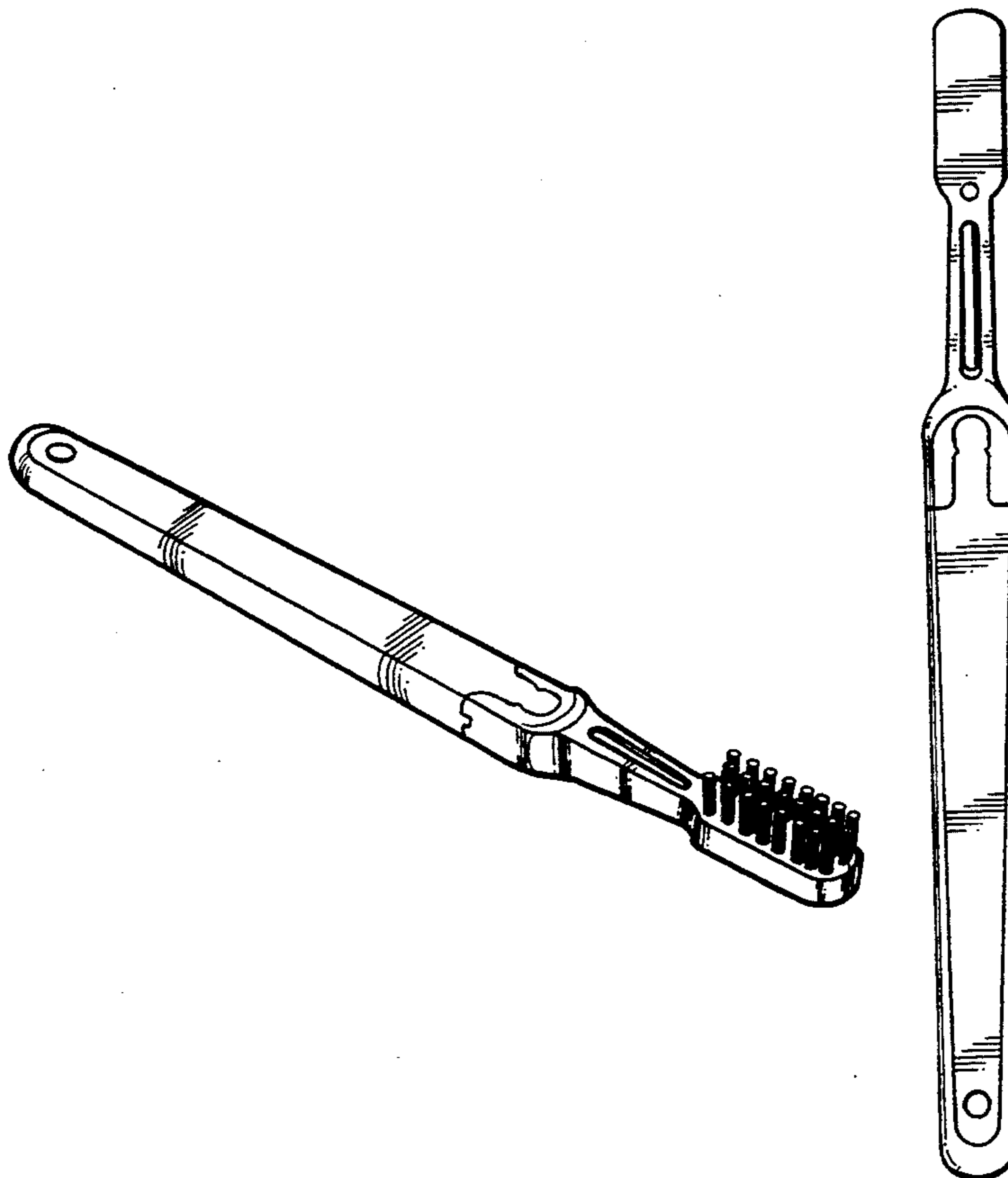
D. 246,080 10/1977 Rallis ..... D4/104

D. 288,148 2/1987 Malgrain ..... D4/104

D. 290,552 6/1987 Hukuba ..... D4/104

1,887,913 11/1932 Bell ..... 15/167.1

2,290,357 7/1942 Rickenbacher ..... 15/176.4



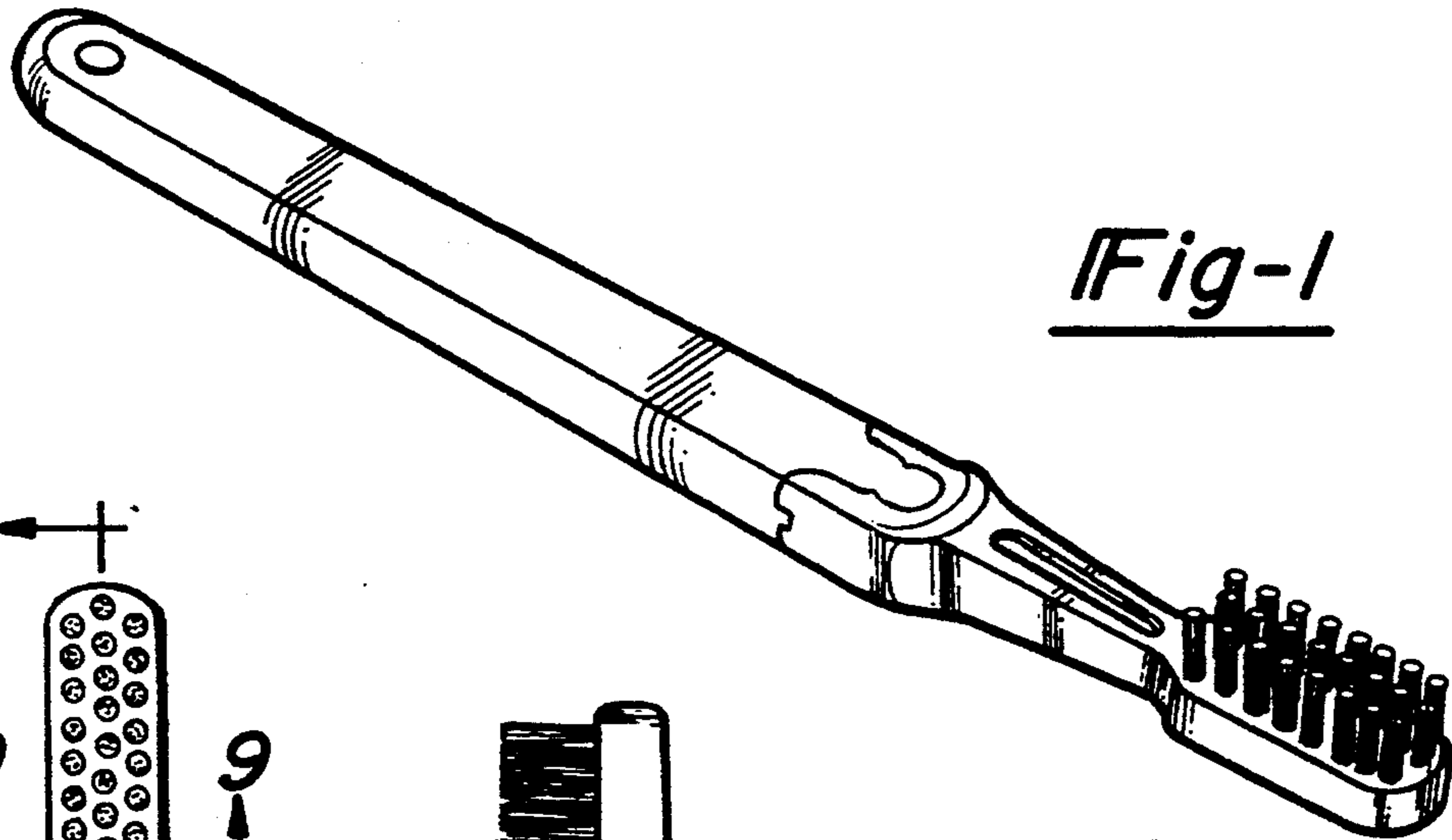


Fig-1

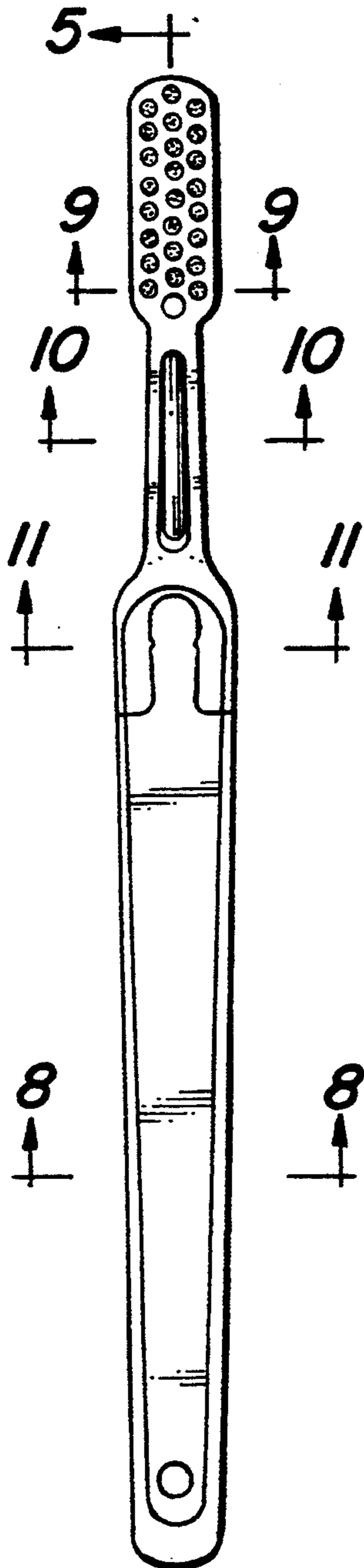


Fig-2

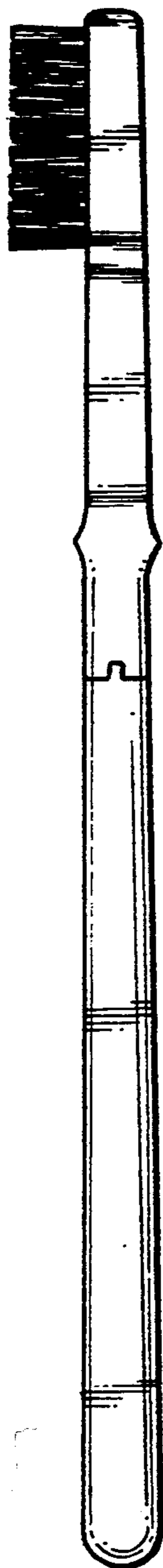


Fig-3

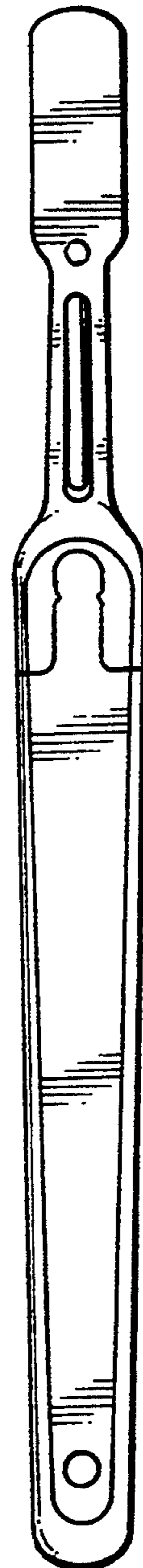


Fig-4

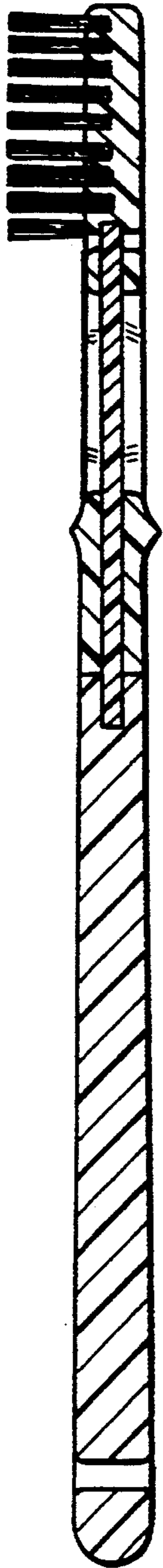


Fig-5



Fig-7



Fig-6



Fig-8



Fig-9



Fig-10



Fig-11