



US00D357119S

# United States Patent [19]

[11] Patent Number: **Des. 357,119**

**Calmeise et al.**

[45] Date of Patent: **\*\* Apr. 11, 1995**

## [54] STORAGE TRAY FOR POWER TOOLS

[75] Inventors: **Randall Calmeise**, Oakwood Village;  
**John A. Vura**, Wooster, both of Ohio

[73] Assignee: **Rubbermaid Incorporated**, Wooster,  
Ohio

[\*\*] Term: **14 Years**

[21] Appl. No.: **11,840**

[22] Filed: **Aug. 16, 1993**

[52] U.S. Cl. .... **D3/308; D3/905**

[58] Field of Search ..... **D3/304, 306, 307, 308,**  
**D3/309, 310, 313, 315, 905; 220/500, 752, 771;**  
**206/198, 207, 373; 217/124**

## [56] References Cited

### U.S. PATENT DOCUMENTS

D. 176,844	2/1956	Evans .....	D58/12
D. 198,236	5/1964	Schaefer .....	D58/26
D. 212,995	12/1968	Myers .....	D87/1
D. 218,722	9/1970	Vaccaro .....	D87/1
D. 252,479	7/1979	Goeden .....	D3/306
D. 307,967	5/1990	Lanius .....	D3/309
D. 314,279	2/1991	Hotchkiss .....	D3/309
D. 314,279	2/1991	Hotchkiss .....	D3/30.1
D. 326,176	5/1992	Brightbill .....	D34/45
D. 327,562	6/1992	Brightbill .....	D3/308
D. 329,135	9/1992	Embree .....	D3/308
1,268,124	6/1918	Jennings .	
1,614,910	1/1927	Yarder .	
2,740,517	4/1956	Evans .....	206/16
2,777,597	1/1957	Ruff .....	220/4
3,305,076	2/1967	Fleenor .....	206/16
3,392,874	7/1968	Peebles .....	220/97
3,587,915	6/1971	Theobald .....	220/102
3,628,843	12/1971	Wynne et al. ....	312/294
3,777,882	12/1973	McIntyre .....	206/16
3,892,331	7/1975	Beck .....	220/96
4,139,096	2/1979	Sieger .....	206/315
4,204,617	5/1980	Hirota .....	224/45
4,667,822	5/1987	Coopmans .....	206/373
4,705,168	11/1987	Ward .....	206/373
4,714,158	12/1987	Oltman et al. ....	206/349
4,720,021	1/1988	Byrns .....	220/94
4,744,613	5/1988	Brantingham et al. ....	312/235
4,792,024	12/1988	Morton et al. ....	217/124
5,011,013	4/1991	Meisner et al. ....	206/373

## OTHER PUBLICATIONS

Price List, Tool Caddy; Contico Manufacturing Co., A Division of Contico International, 1101 Warson Rd. St. Louis, Mo. 63132. Publication Date Mar. 1, 1985.

Sell Sheet, Ladder Caddy; Time Saving Products, Ladder Caddy, Inc., P.O. Box 15945-274, Lenexa, Kans. 66215. It is believed that the product depicted herein has been on sale for more than one (1) year prior to the application date of this instant application.

Sell Sheet, Tote Tray; Plano Molding Company, 431 E. South St., Plano, Ill. 60545-1601. It is believed that the product depicted herein has been on sale for more than one (1) year prior to the application date of this instant application.

P. 7, Tote 'N Tool; Plano Molding Company, 431 E. South St., Plano Ill. 60545-1601. Publication Date 1987.

P. 6, Tote Box; Vermont American, Hardware Tool Division, P.O. Box 340, Lincolnton, N.C. 28092. Publication Date 1983.

Sell Sheet, EZ-Tote; Bush Lake Industries, Inc., 4571 Valley Industrial Blvd., South, Shakopee, Minn. 55379. Publication Date Jul. 1986.

(List continued on next page.)

*Primary Examiner*—Terry A. Wallace

*Assistant Examiner*—Richelle Shelton

*Attorney, Agent, or Firm*—Richard B. O'Planick; Lisa B. Riedesel

## [57] CLAIM

The ornamental design for a storage tray for power tools, as shown and described.

## DESCRIPTION

FIG. 1 is a top left front perspective view of a storage tray for power tools showing our new design;

FIG. 2 is a top plan view thereof;

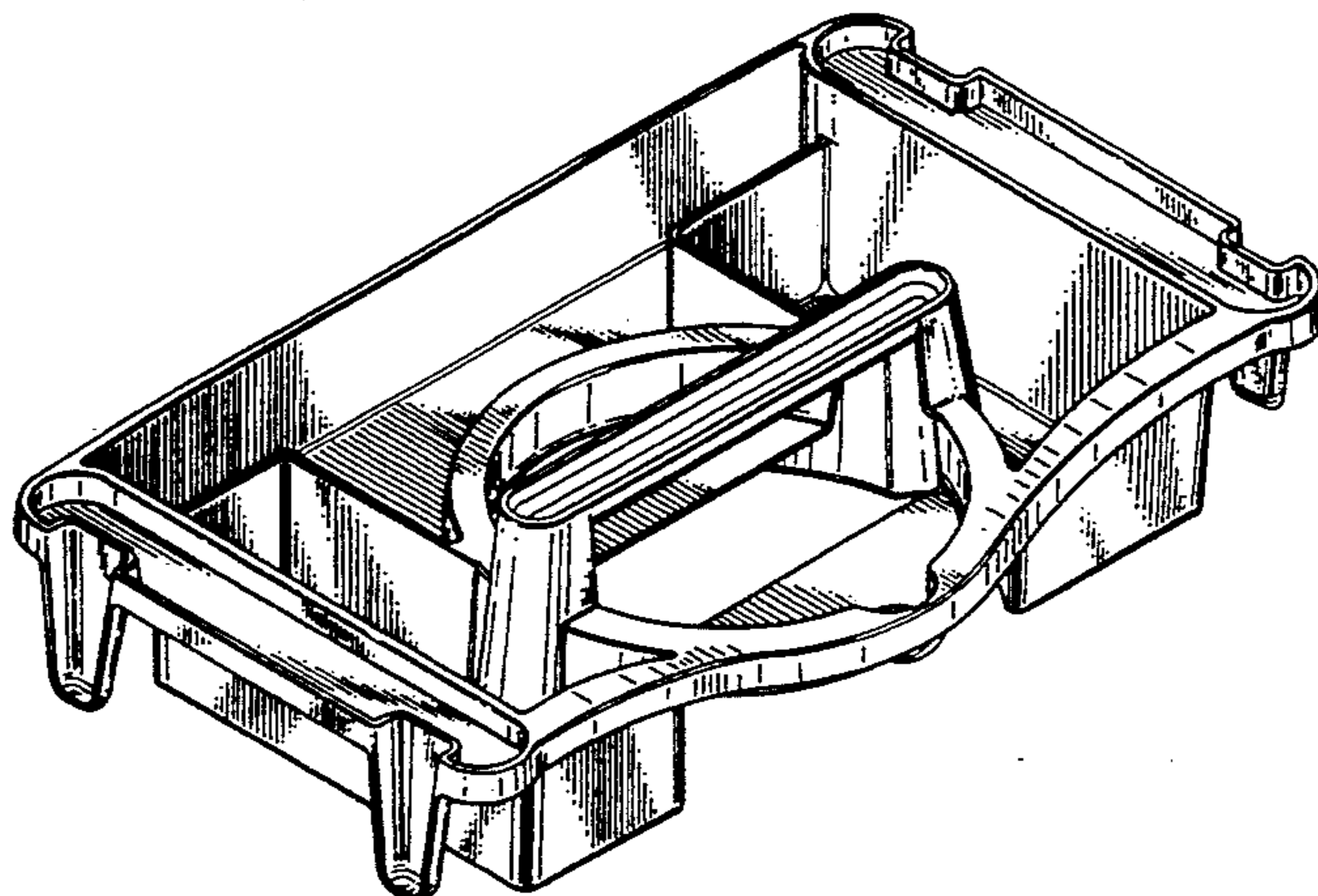
FIG. 3 is a bottom plan view thereof;

FIG. 4 is a front elevational view thereof;

FIG. 5 is a rear elevational view thereof;

FIG. 6 is a side elevational view thereof, the opposite side being a mirror image; and,

FIG. 7 is a transverse cross-sectional view thereof taken along Line 7-7 of FIG. 2.



**OTHER PUBLICATIONS**

Catalog Page, Tool Caddy; Woodstream, an EKCO Group Company, P.O. Box 327, Lititz, Pa. 17543-0327.

It is believed that the product depicted herein has been on sale for more than one (1) year prior to the application date of this instant application.

Sell Sheet, Tray Mate; Akro-Mils, Box 989, Akron, Ohio 44309. Publication Date Aug. 1, 1987.

Sell Sheet, Tote and Carry-all; Trophy Products, 9714

Old Katy Road, Houston, Tex. 77055. Publication Date 1987.

Catalog Page, Tool Tote; Ingrid Ltd., 3601 North Skokie Highway, North Chicago, Ill. 60064. Publication Date 1986.

P. 24, Tool Tidy; Curver, Takkebijsters 75, Postbus 6810, 4802 Breda, Netherlands; Publication Date 1991.

P. 33, Carry Caddy; Rubbermaid Incorporated, 1147 Akron Road, Wooster, Ohio 44691. Publication Date 1988.



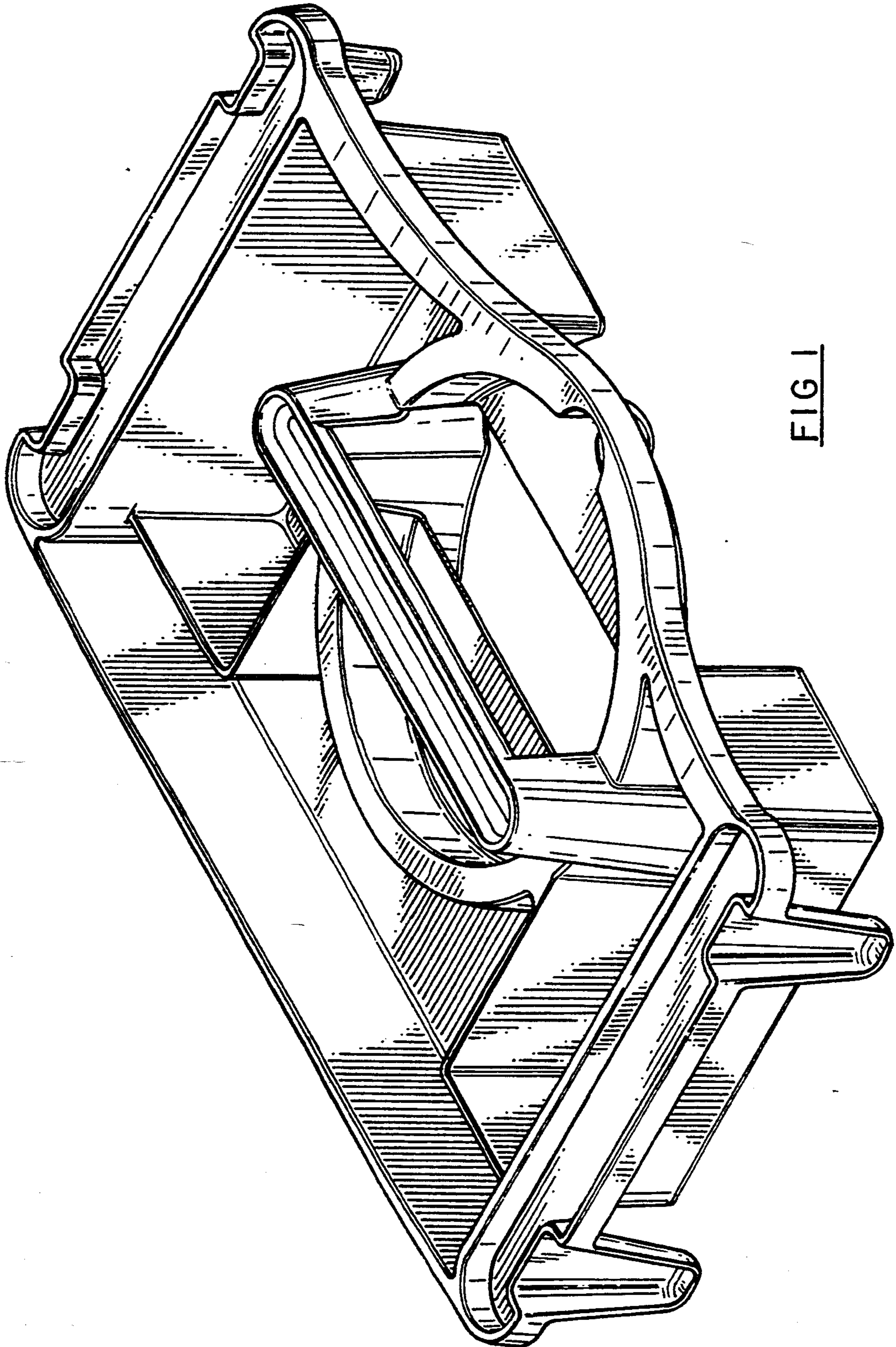


FIG 1

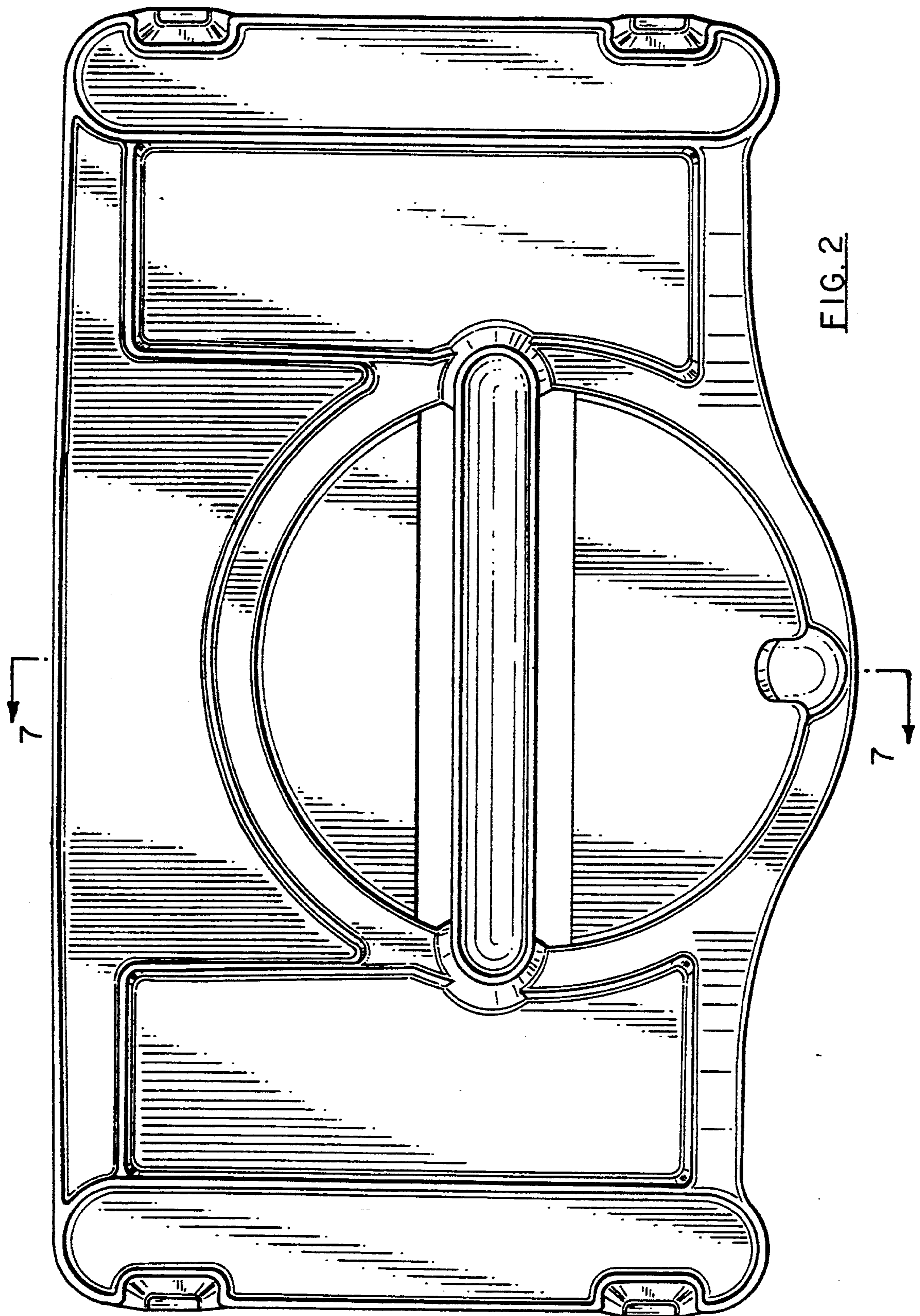


FIG. 2



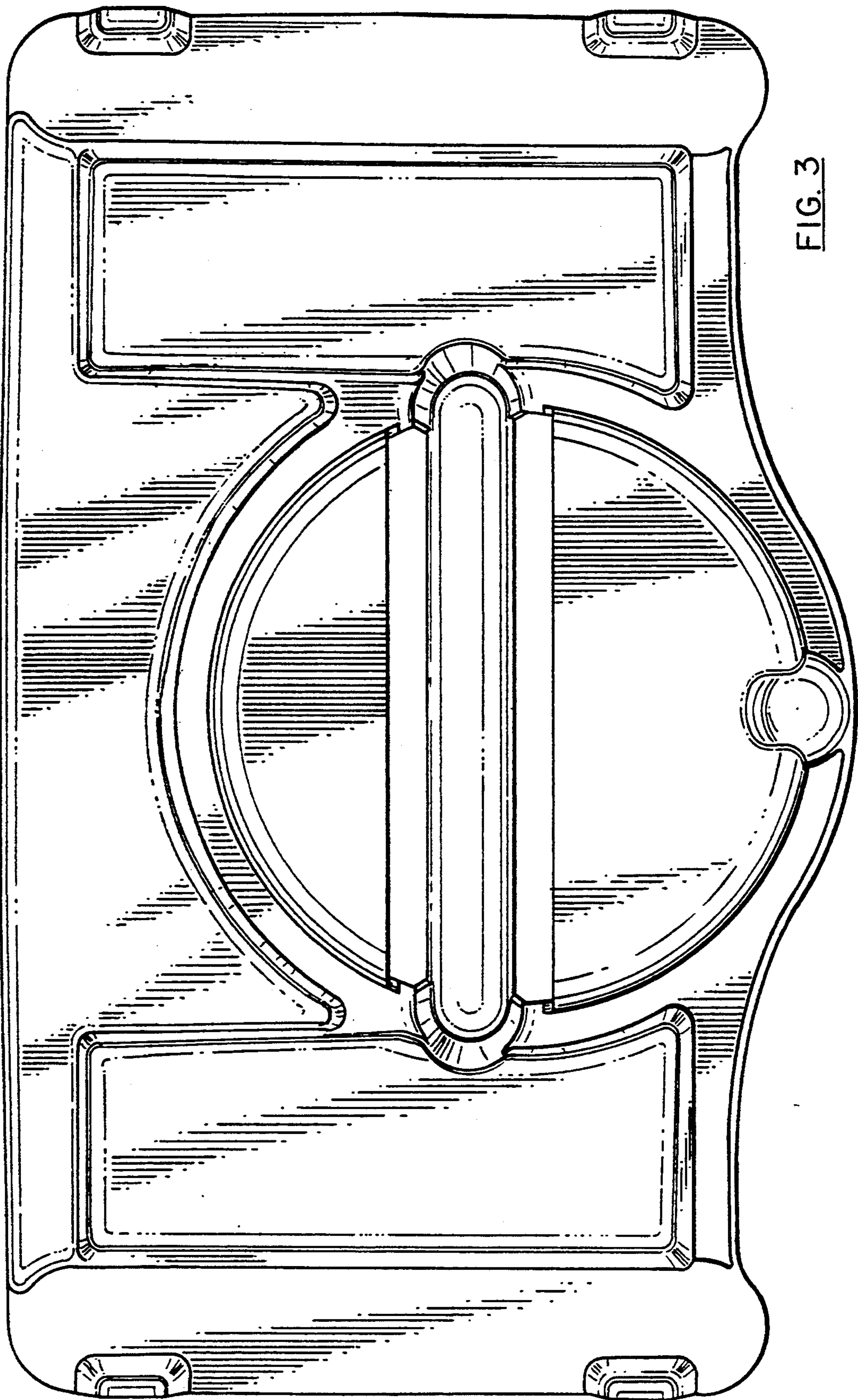


FIG. 3

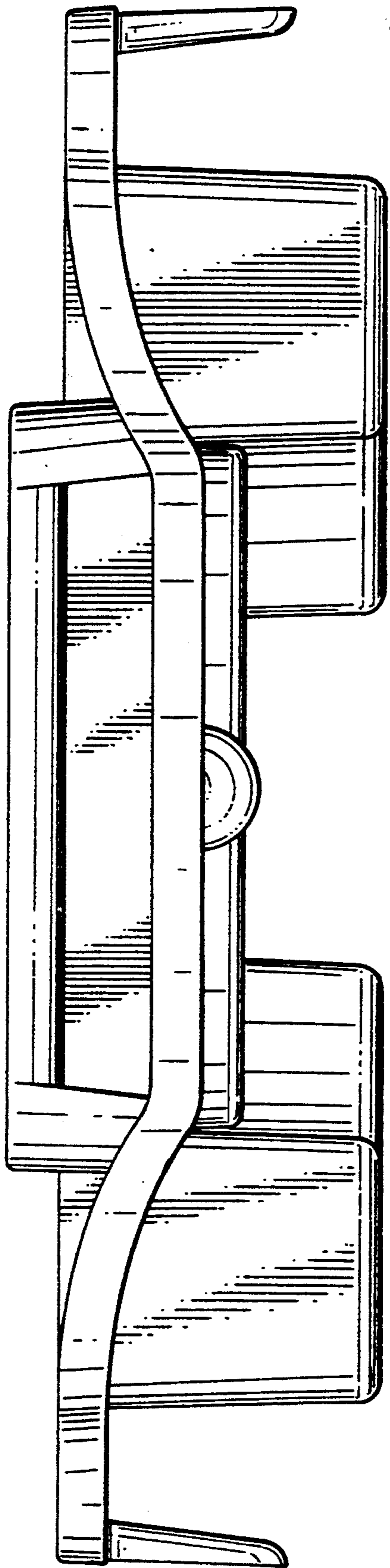


FIG. 4

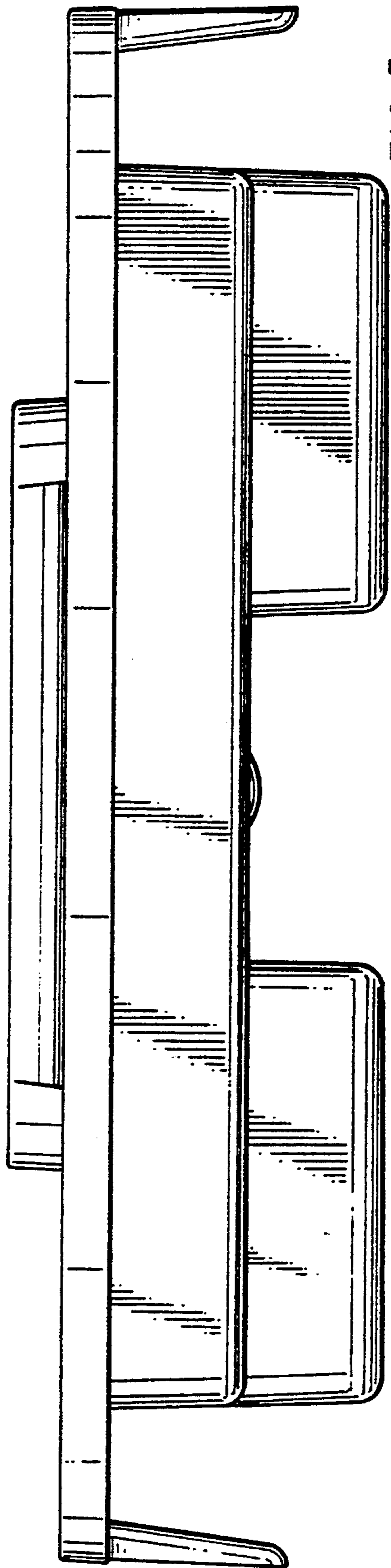


FIG. 5

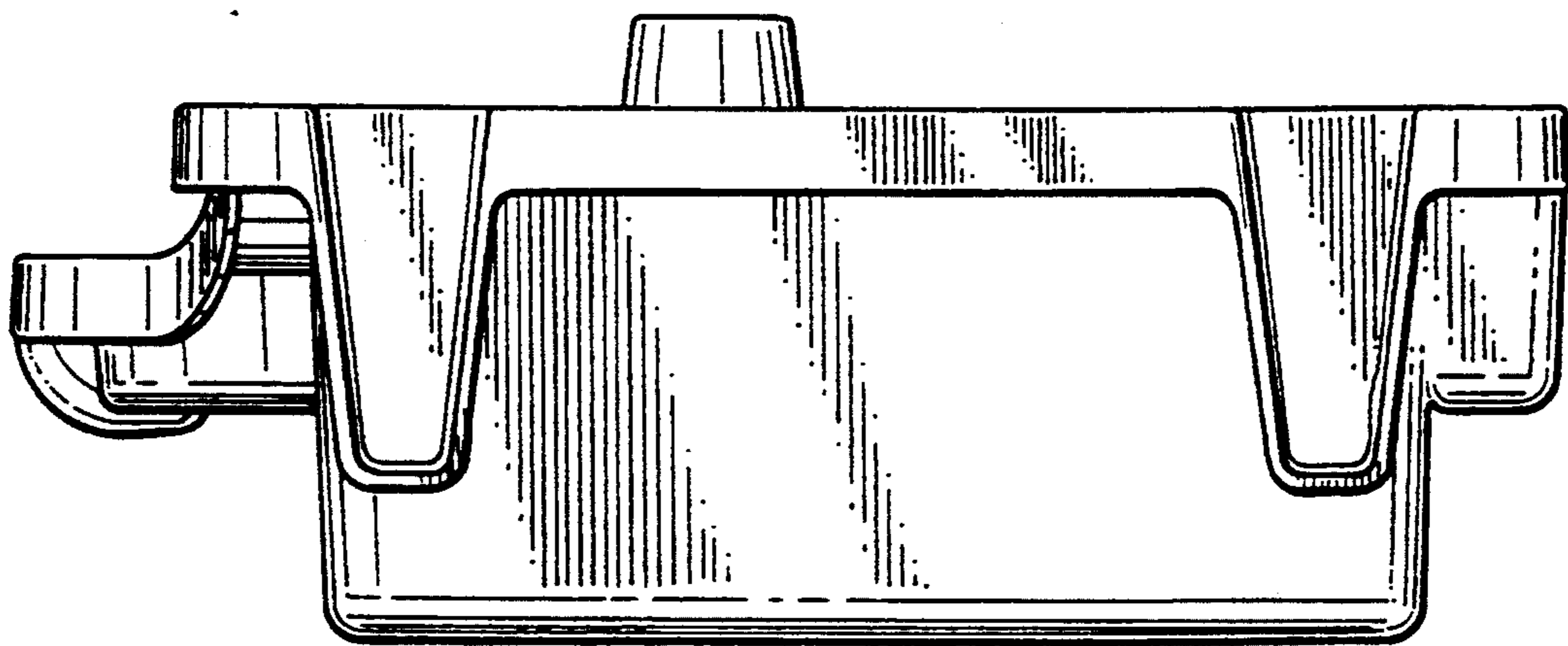


FIG. 6

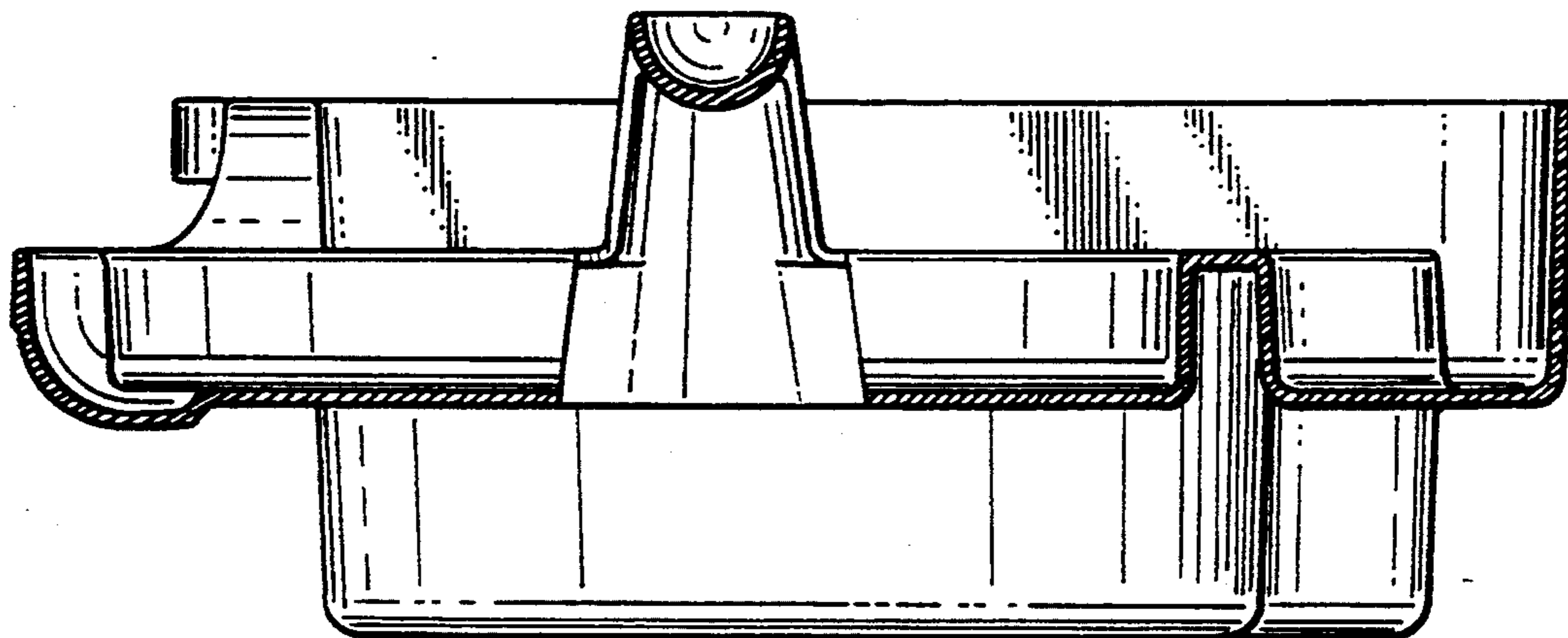


FIG. 7