



US00D357118S

# United States Patent [19]

[11] Patent Number: **Des. 357,118**

**Kendrick**

[45] Date of Patent: **\*\* Apr. 11, 1995**

[54] **COMBINED BEVERAGE CAN CARRIER AND STORAGE RACK**

2,350,427	6/1944	Tichenor .....	220/485
3,203,553	8/1965	Pendergrast et al. ....	211/59.2
3,606,022	9/1971	Beesley .....	211/59.2
3,805,964	4/1974	Titus .....	211/59.2
4,300,697	11/1981	Dickens .....	220/486

[76] Inventor: **Kathleen S. Kendrick**, 21 Lincoln St.,  
Weston, Mass. 02193

[\*\*] Term: **14 Years**

*Primary Examiner*—Terry A. Wallace  
*Assistant Examiner*—Richelle Shelton  
*Attorney, Agent, or Firm*—William Nitkin

[21] Appl. No.: **11,540**

[22] Filed: **Aug. 9, 1993**

### [57] CLAIM

[52] U.S. Cl. .... **D3/306; D6/408;**  
**D6/566**

The ornamental design for a combined beverage can carrier and storage rack, as shown and described.

[58] Field of Search ..... **D3/304, 306; D6/408,**  
**D6/515, 566; D7/619, 620; D15/89, 140;**  
**220/485, 486, 743; 206/427, 429, 430; 211/59.3,**  
**59.2, 126, 181**

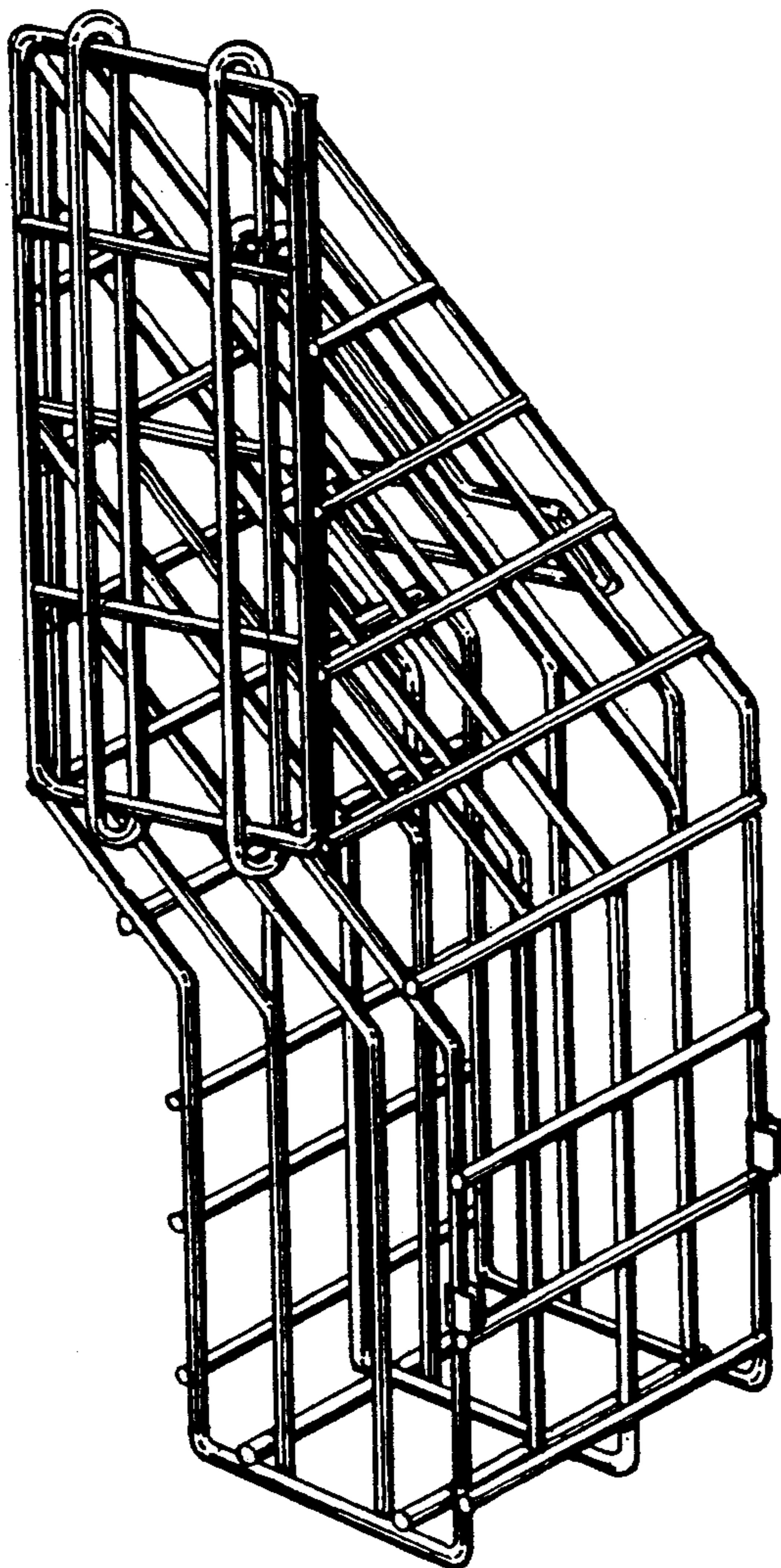
### DESCRIPTION

### [56] References Cited

#### U.S. PATENT DOCUMENTS

D. 192,378	3/1962	Combs .....	D6/408
D. 211,918	8/1968	Wilder et al. ....	D6/408
D. 347,922	6/1994	Trevaskis .....	D6/515
2,119,700	3/1936	Burgess .....	211/59.2

FIG. 1 is a front elevational view of a combined beverage can carrier and storage rack showing my new design;  
FIG. 2 is a rear elevational view thereof;  
FIG. 3 is a left side elevational view thereof;  
FIG. 4 is a right side elevational view thereof;  
FIG. 5 is a top plan view thereof;  
FIG. 6 is a bottom plan view thereof; and,  
FIG. 7 is a front perspective view thereof.



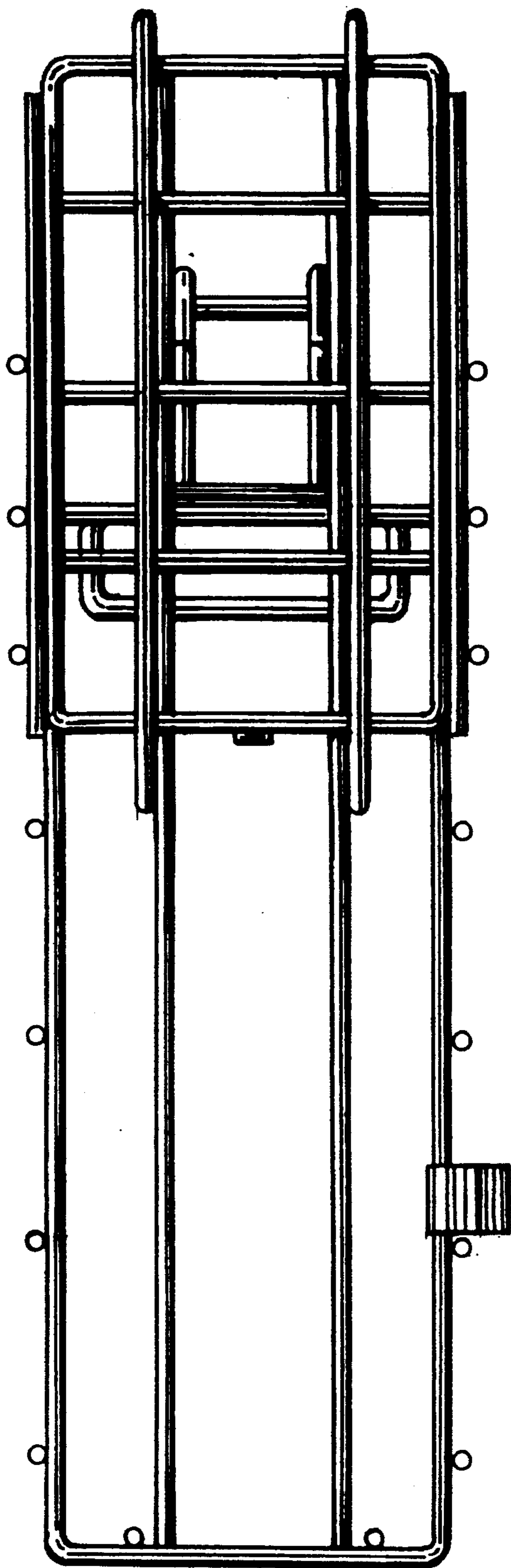


FIG. 1

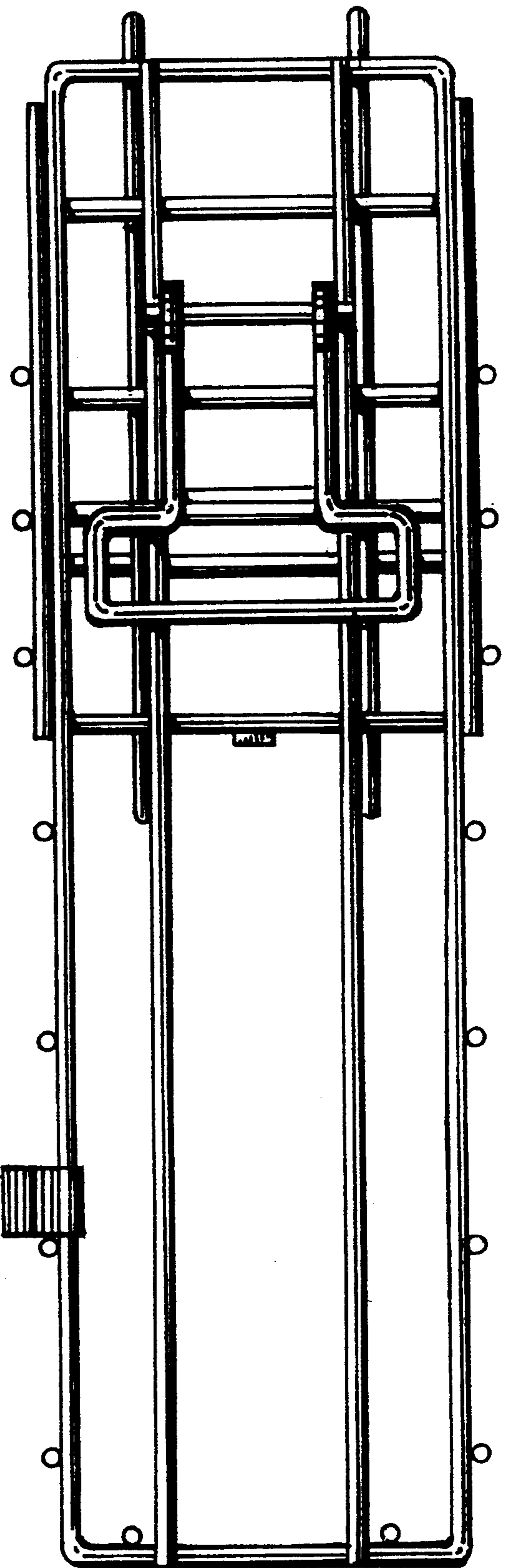


FIG. 2

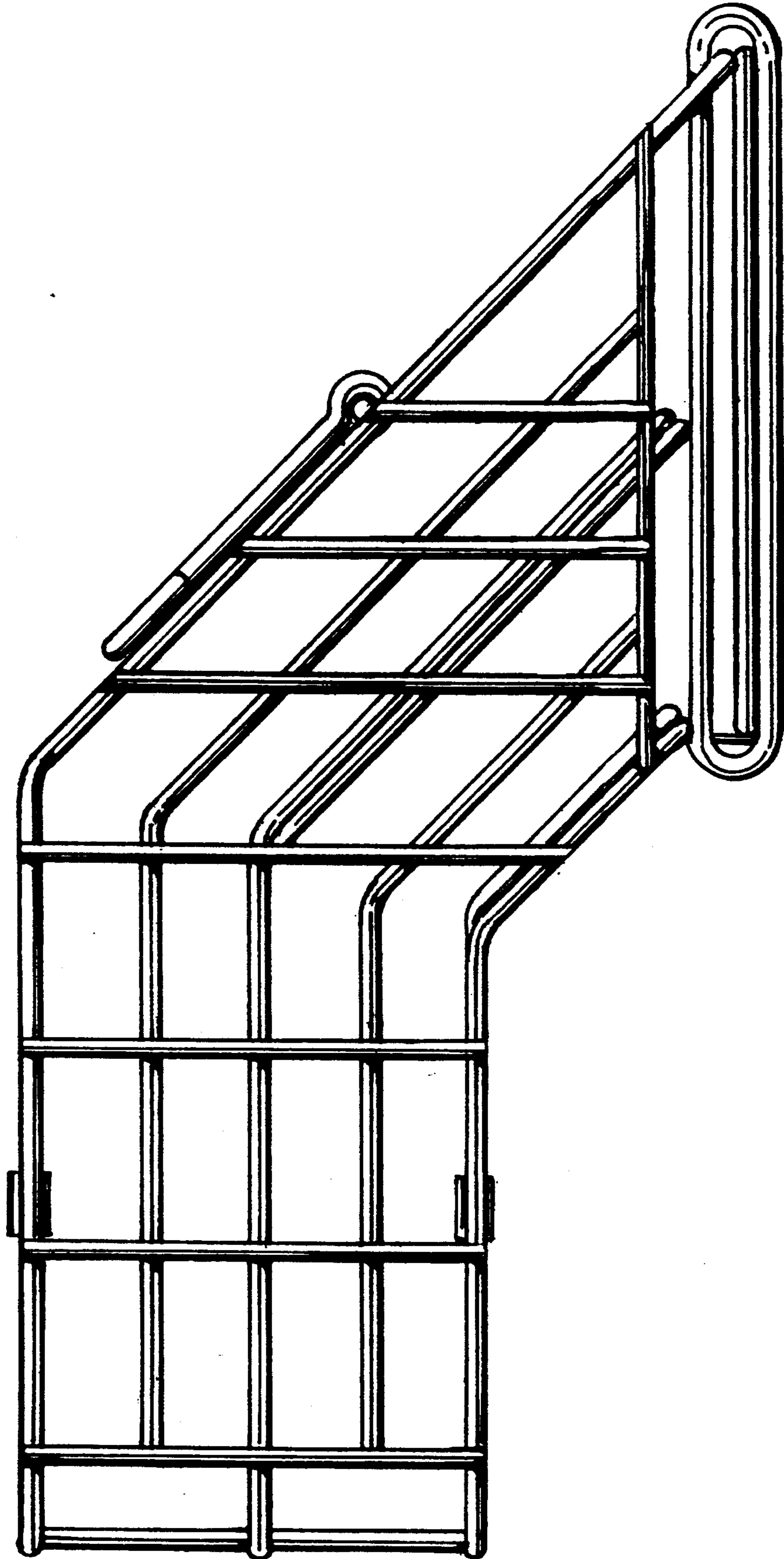


FIG. 3

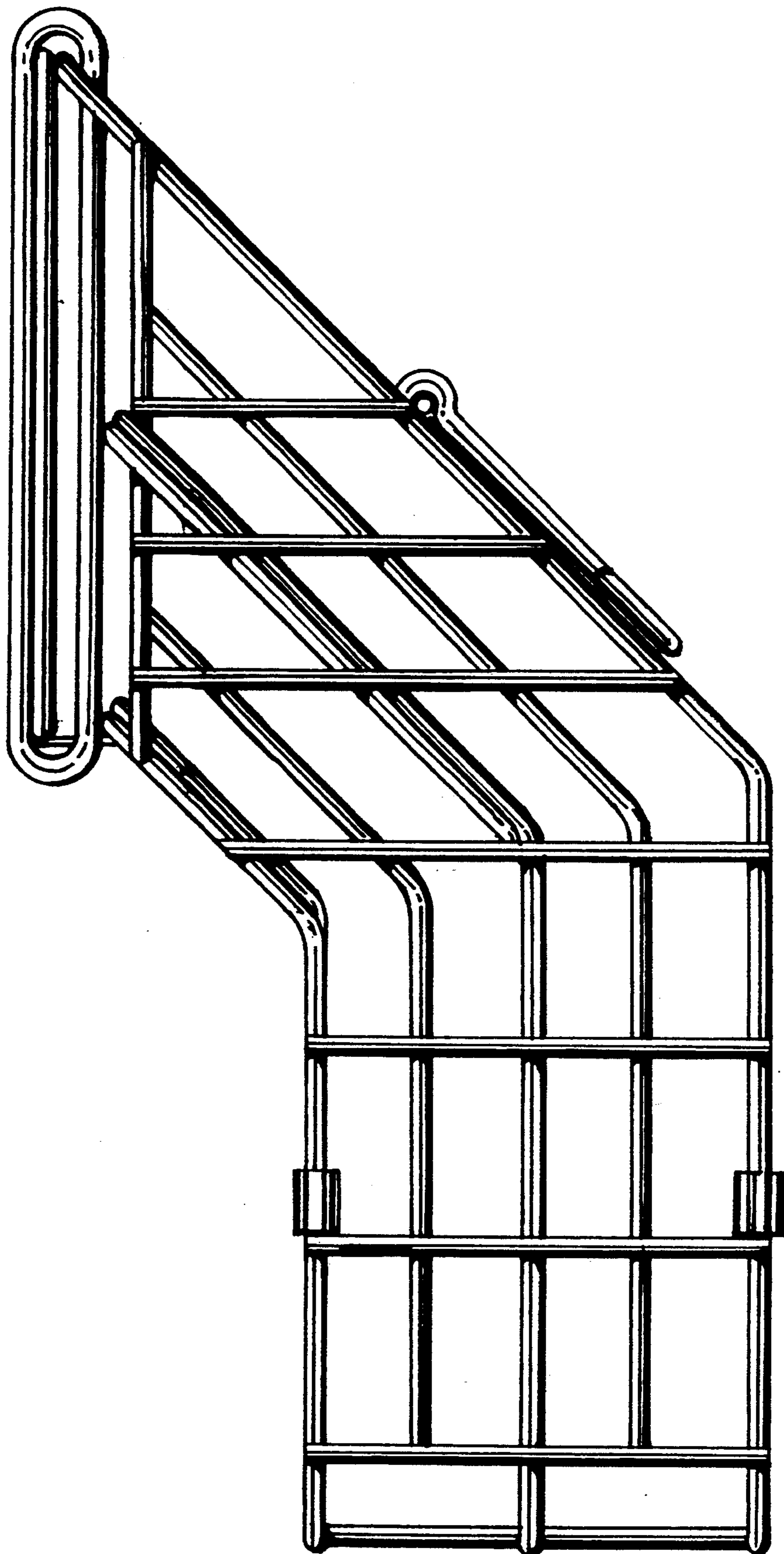


FIG. 4

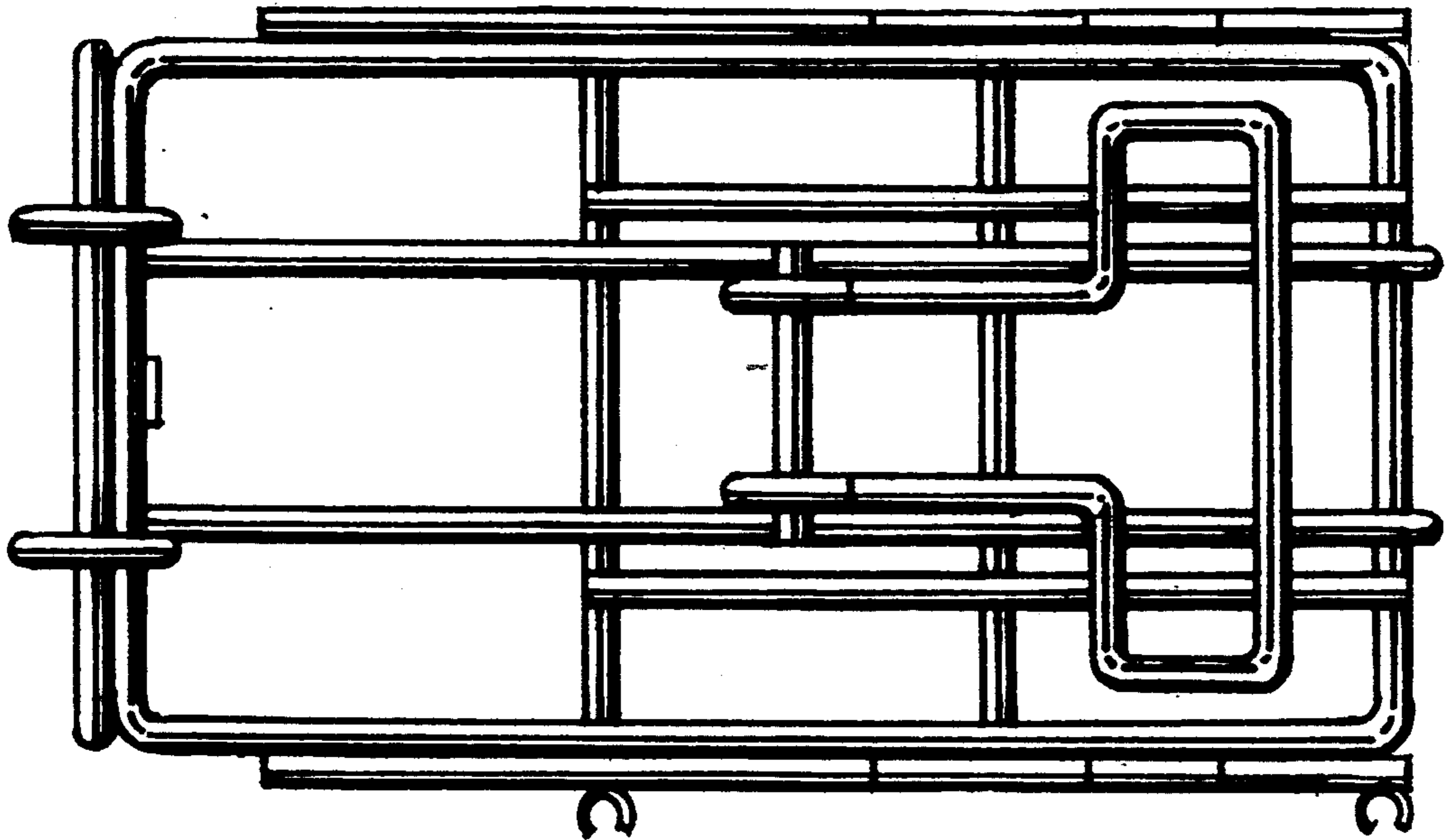


FIG. 5

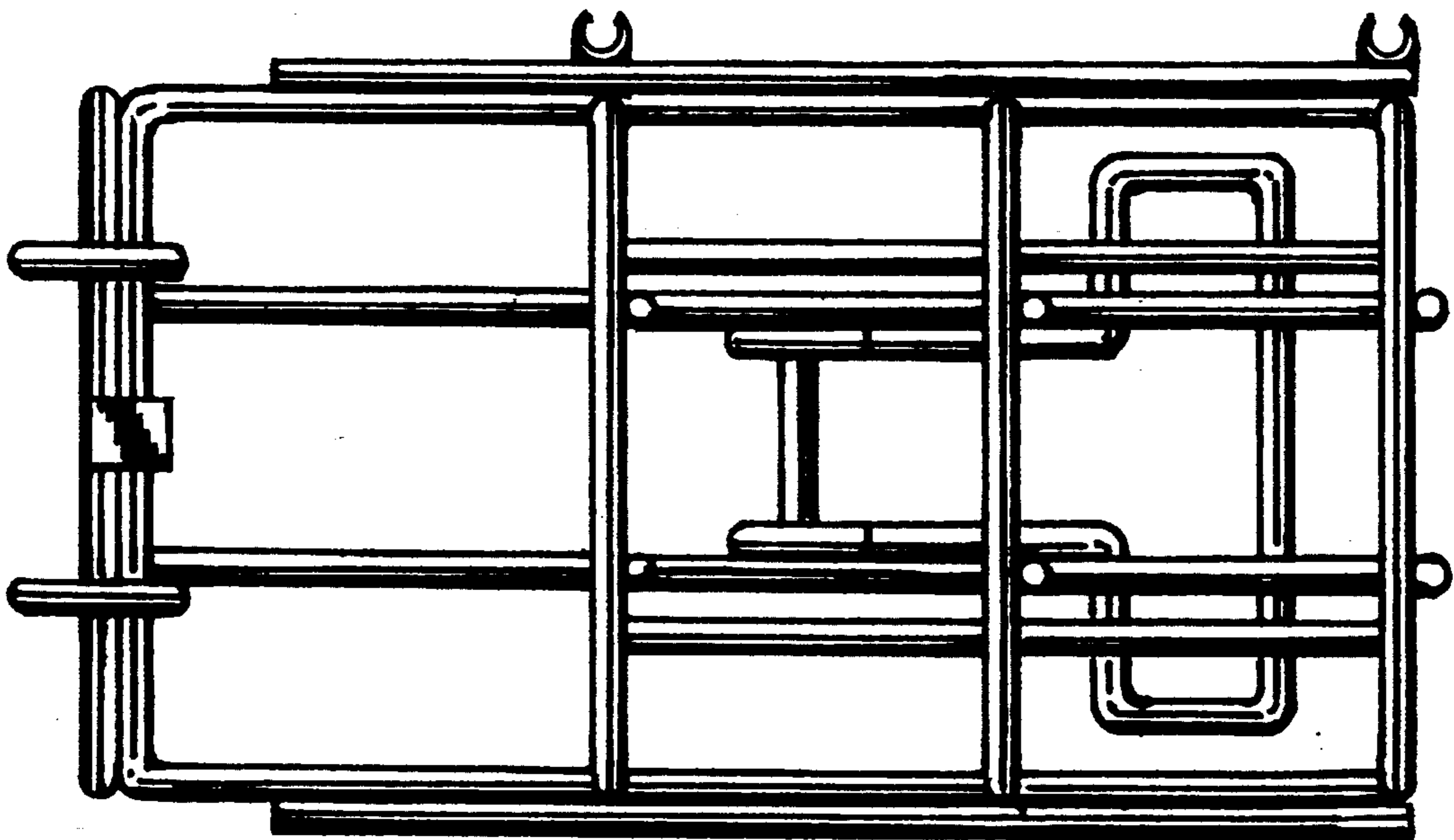


FIG. 6

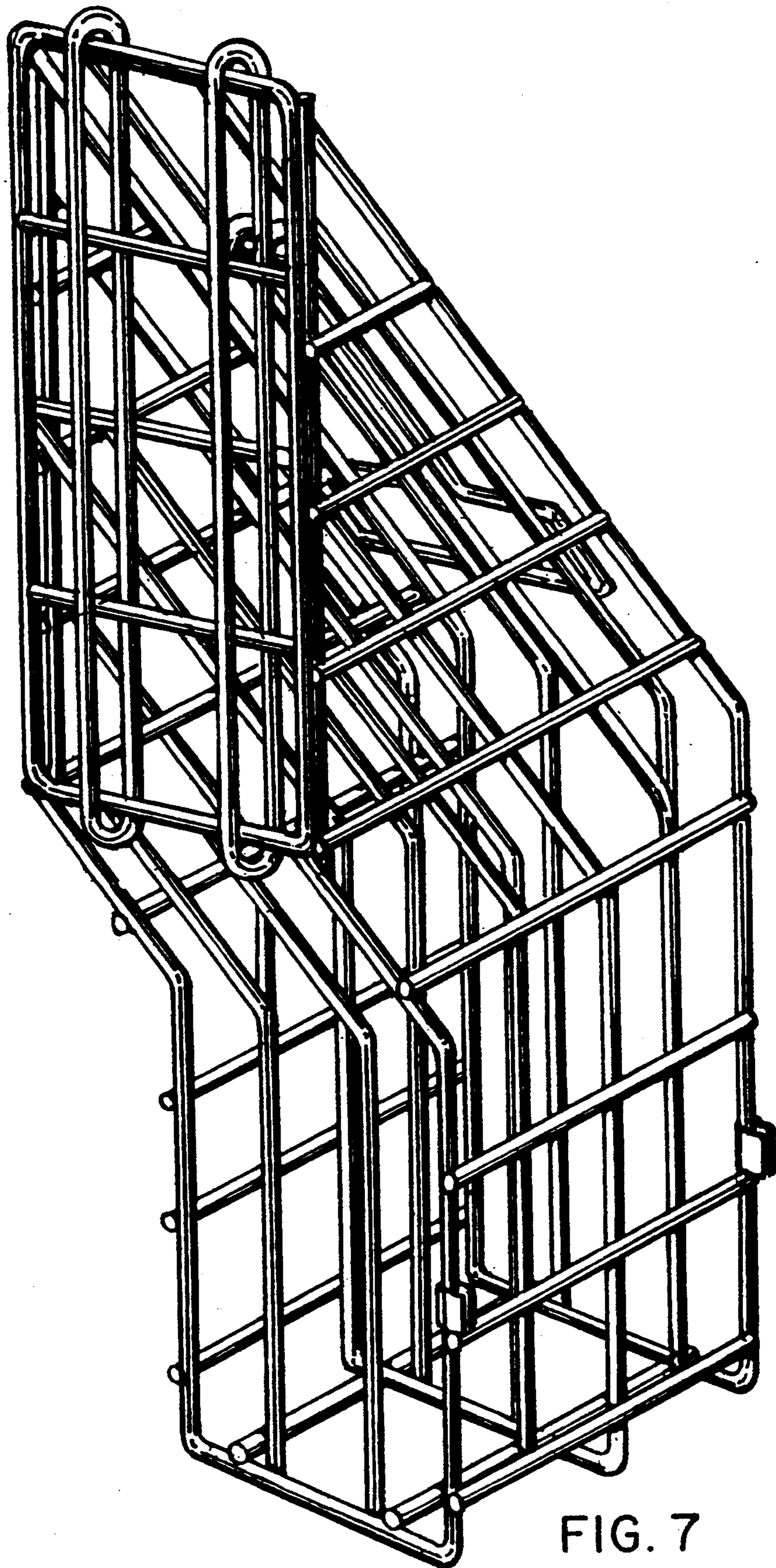


FIG. 7