



US00D357117S

United States Patent [19]
Huang

[11] **Patent Number: Des. 357,117**

[45] **Date of Patent: ** Apr. 11, 1995**

[54] **PORTABLE GUN CASE**

[75] Inventor: **Chao Chi Huang, Taipei,**

[73] Assignee: **Quarton, Inc., Taipei,**

[**] Term: **14 Years**

[21] Appl. No.: **13,398**

[22] Filed: **Sep. 23, 1993**

[52] U.S. Cl. **D3/276; D3/282**

[58] Field of Search **D3/273, 276, 282;**
190/108, 110, 111, 115, 900, 901, 903

[56] **References Cited**

U.S. PATENT DOCUMENTS

D. 221,317	7/1971	Mulla	D3/282
D. 232,231	7/1974	Langieri	D3/282
D. 343,063	1/1994	Chen	D3/282
4,344,646	8/1982	Michel	D3/282 X

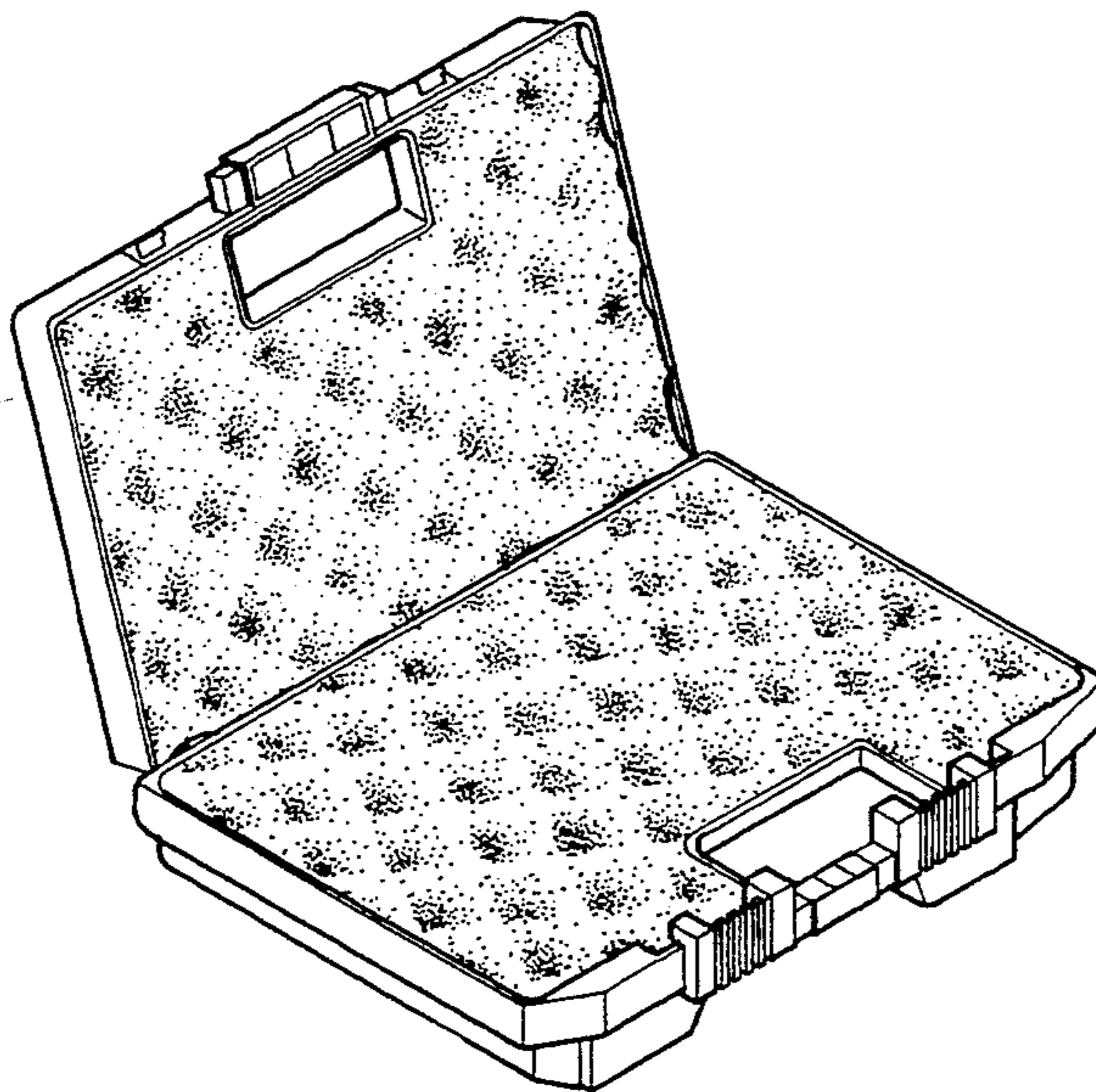
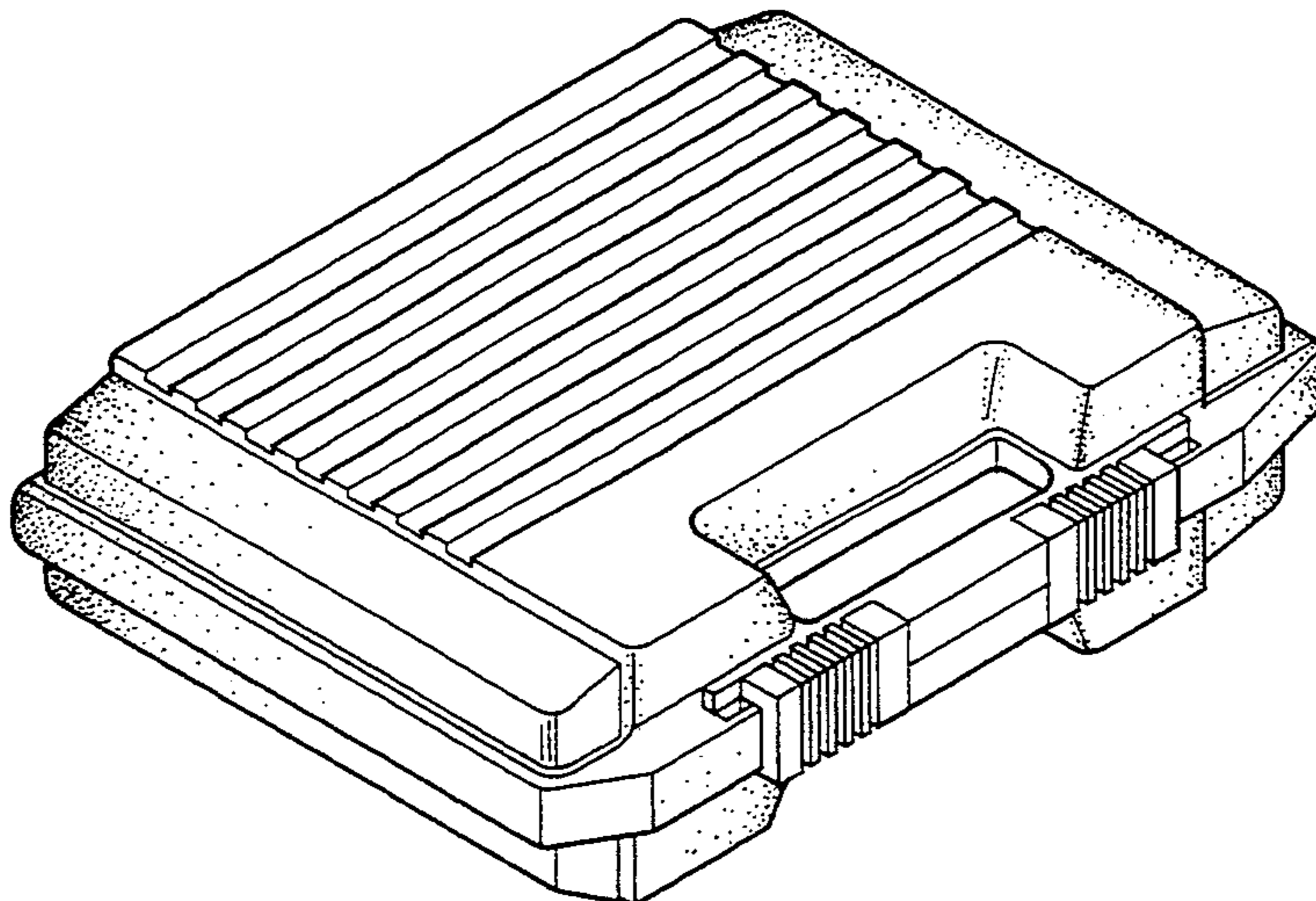
Primary Examiner—Theodore M. Shooman
Assistant Examiner—Dominic Simone
Attorney, Agent, or Firm—Browdy and Neimark

[57] **CLAIM**

The ornamental design for a portable gun case, as shown and described.

DESCRIPTION

FIG. 1 is a perspective view of a design for portable gun case showing my design;
FIG. 2 is the front elevational view thereof;
FIG. 3 is the rear elevational view thereof;
FIG. 4 is the left side elevational view thereof;
FIG. 5 is the right side elevational view thereof;
FIG. 6 is the top plan view thereof;
FIG. 7 is the bottom plan view thereof; and,
FIG. 8 is a perspective view thereof, in an open position.



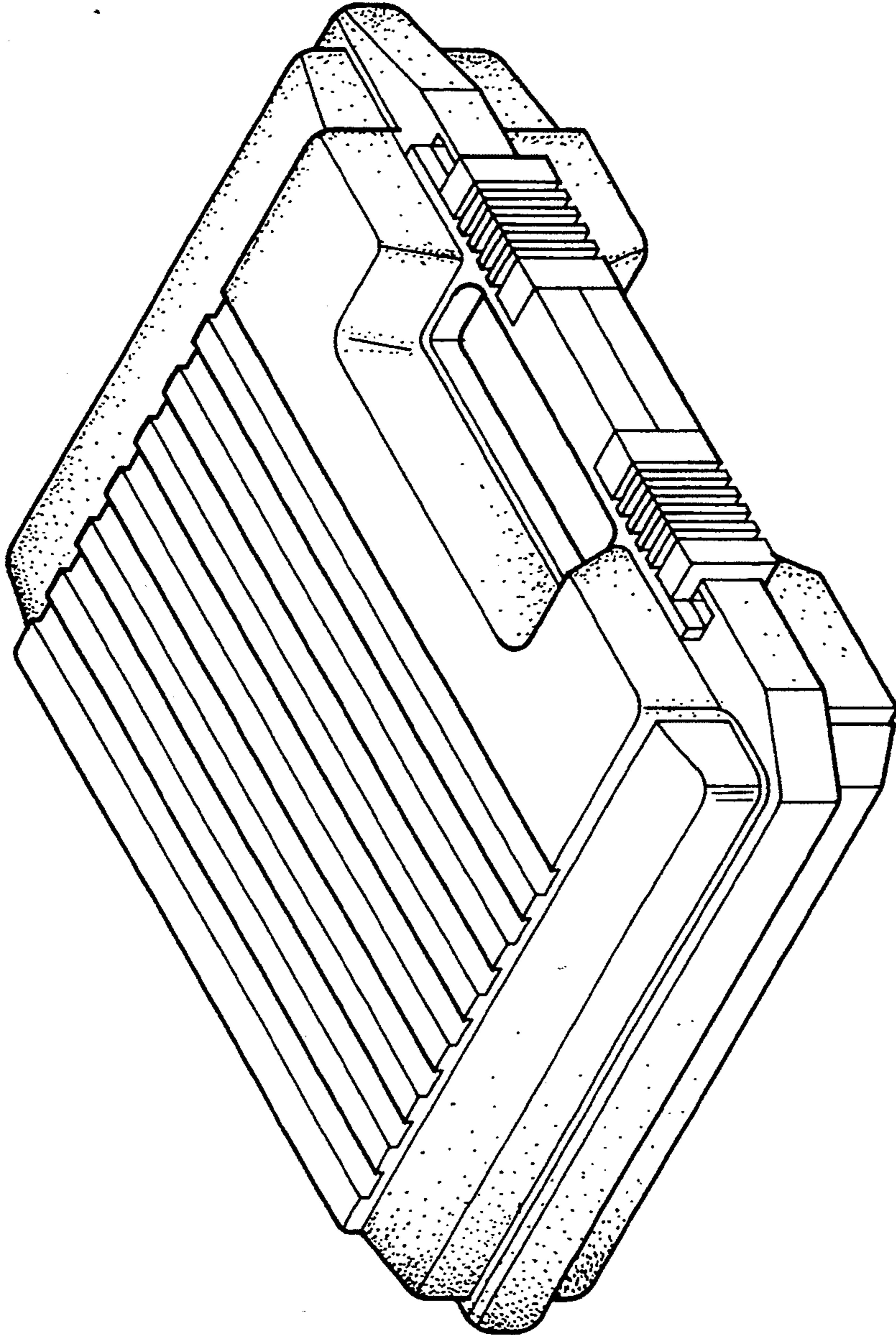


FIG. 1

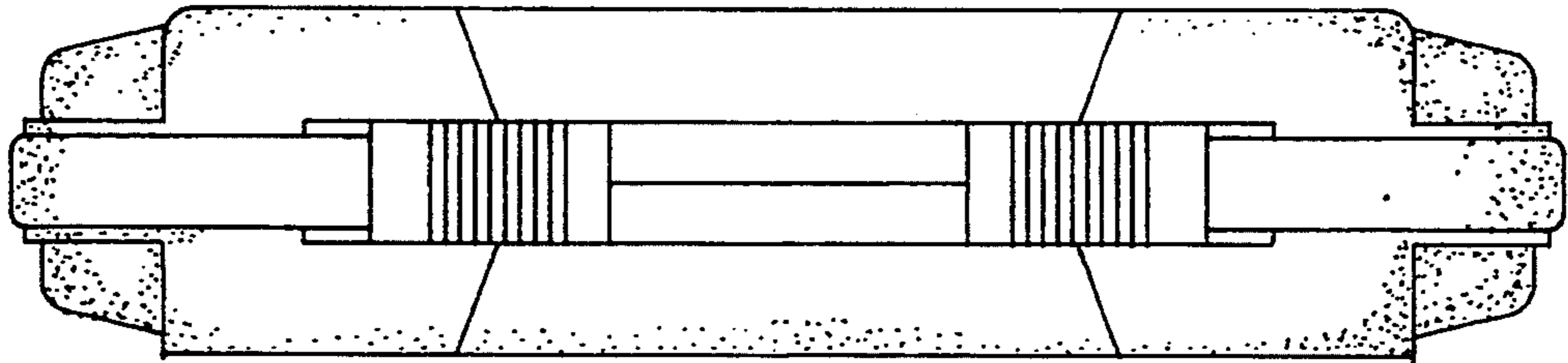


FIG. 2

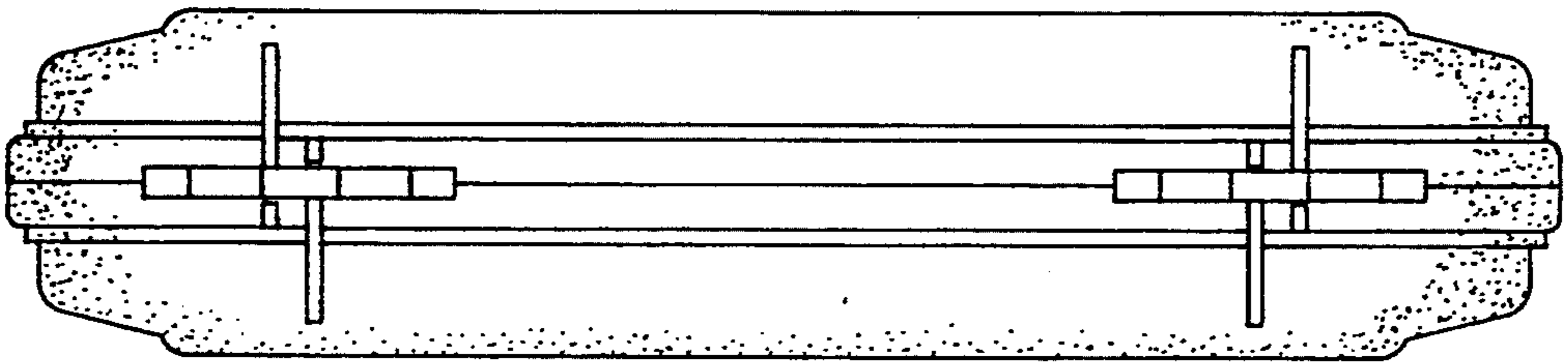


FIG. 3

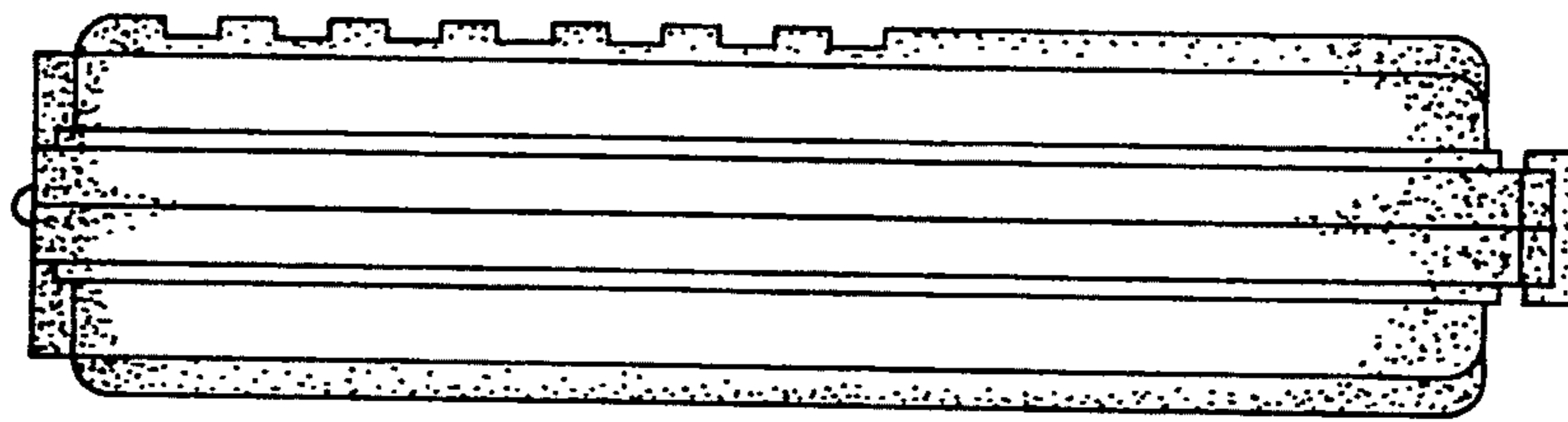


FIG. 4

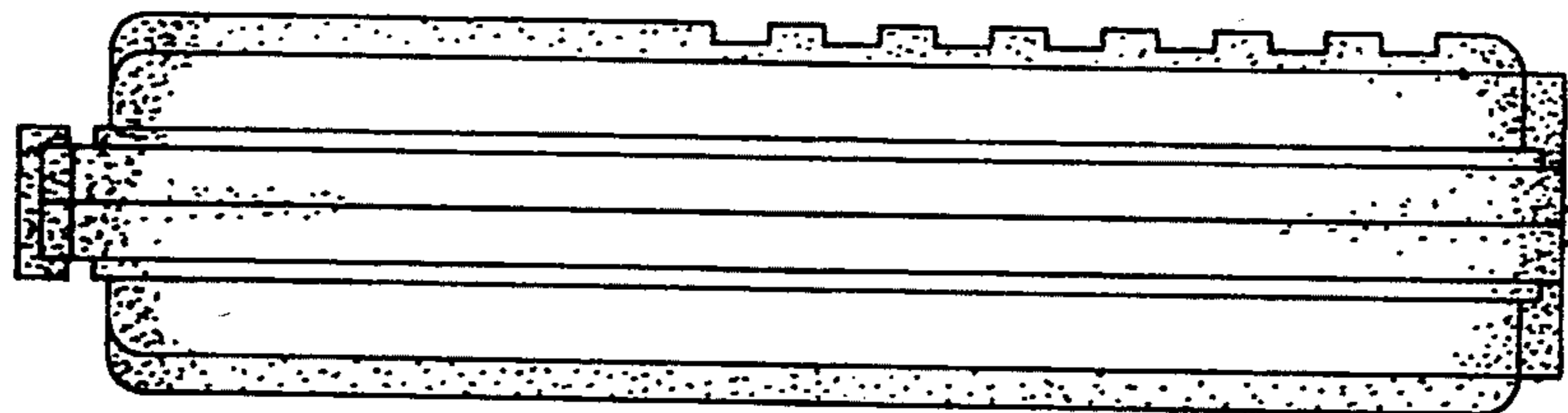


FIG. 5

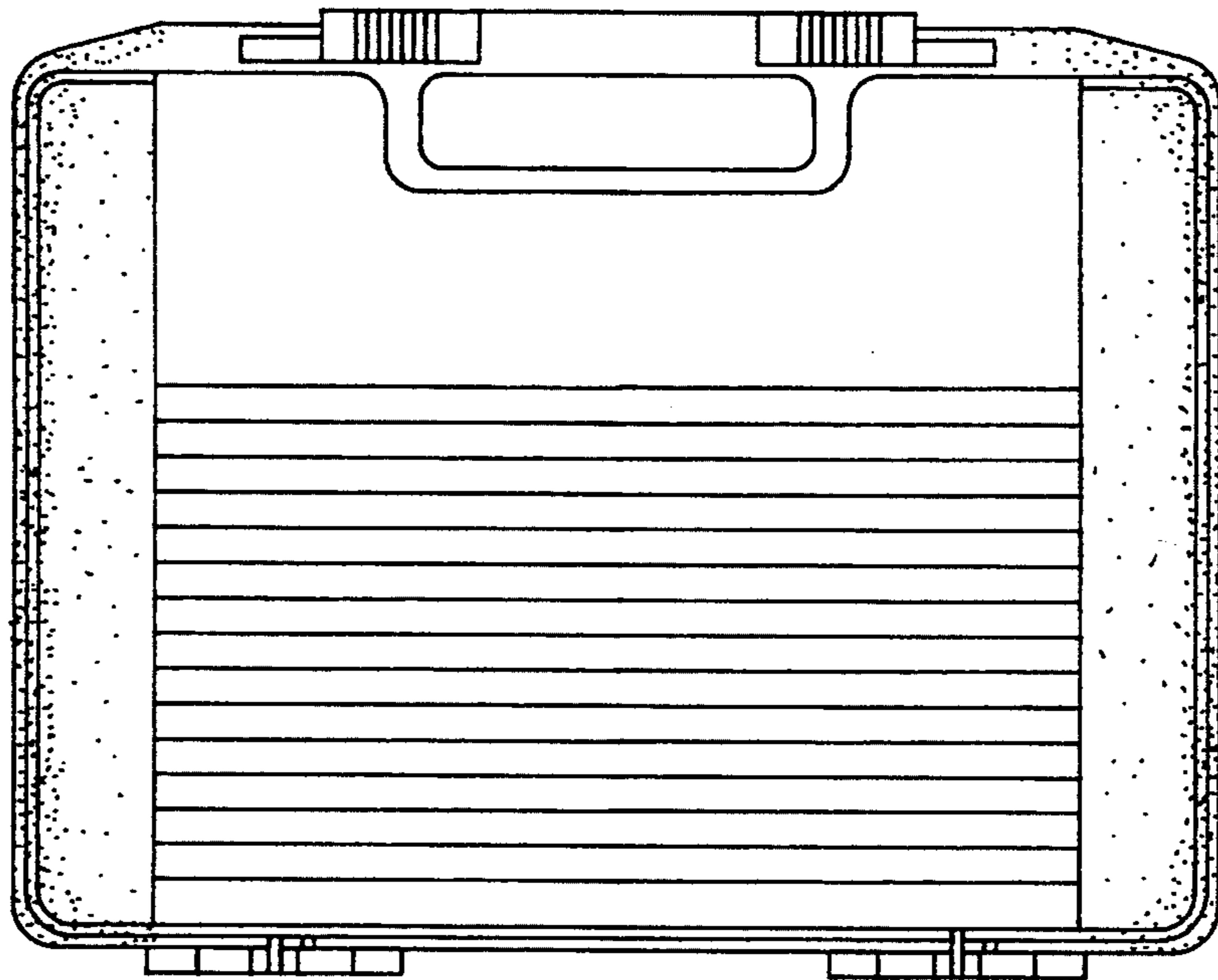


FIG. 6

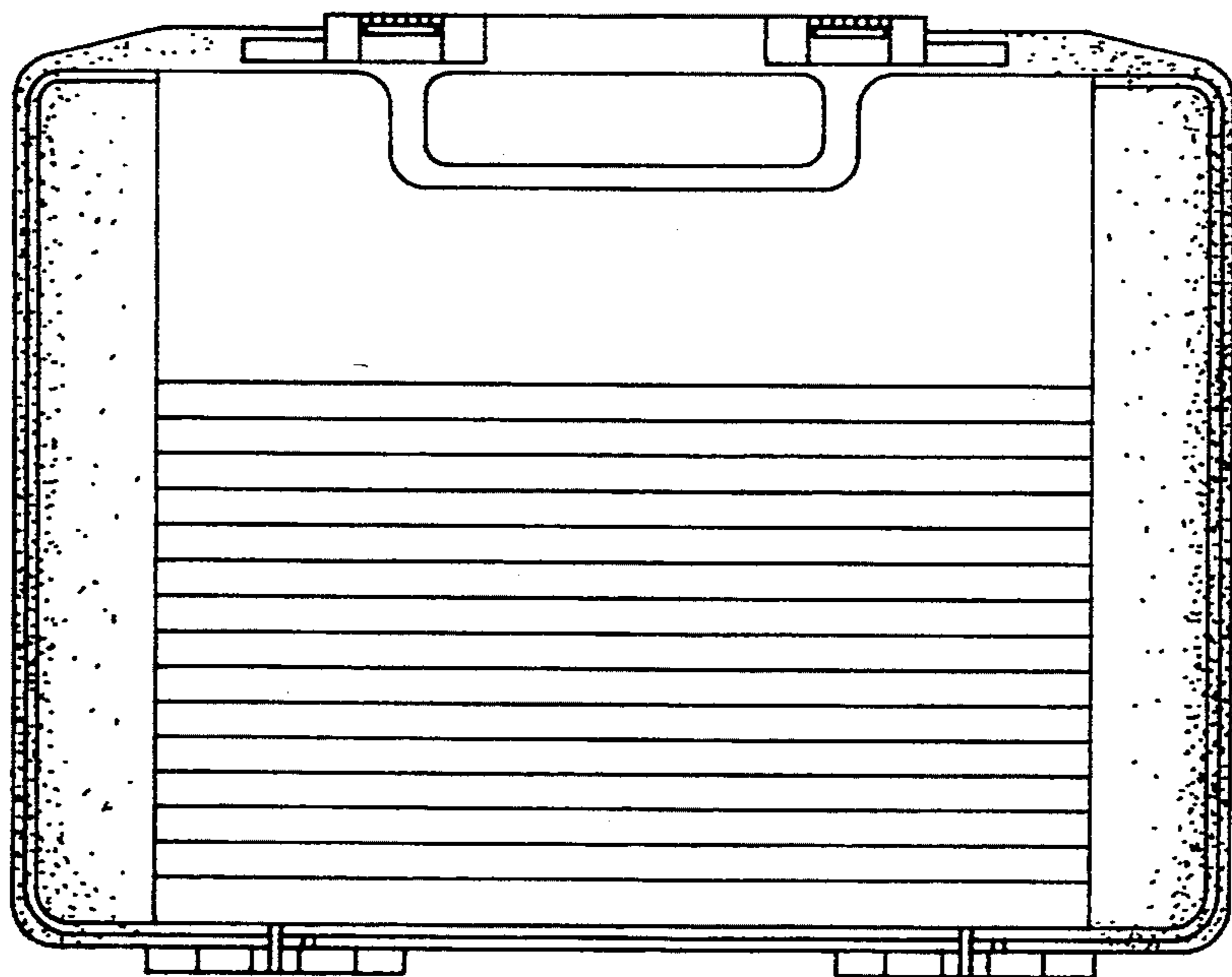


FIG. 7

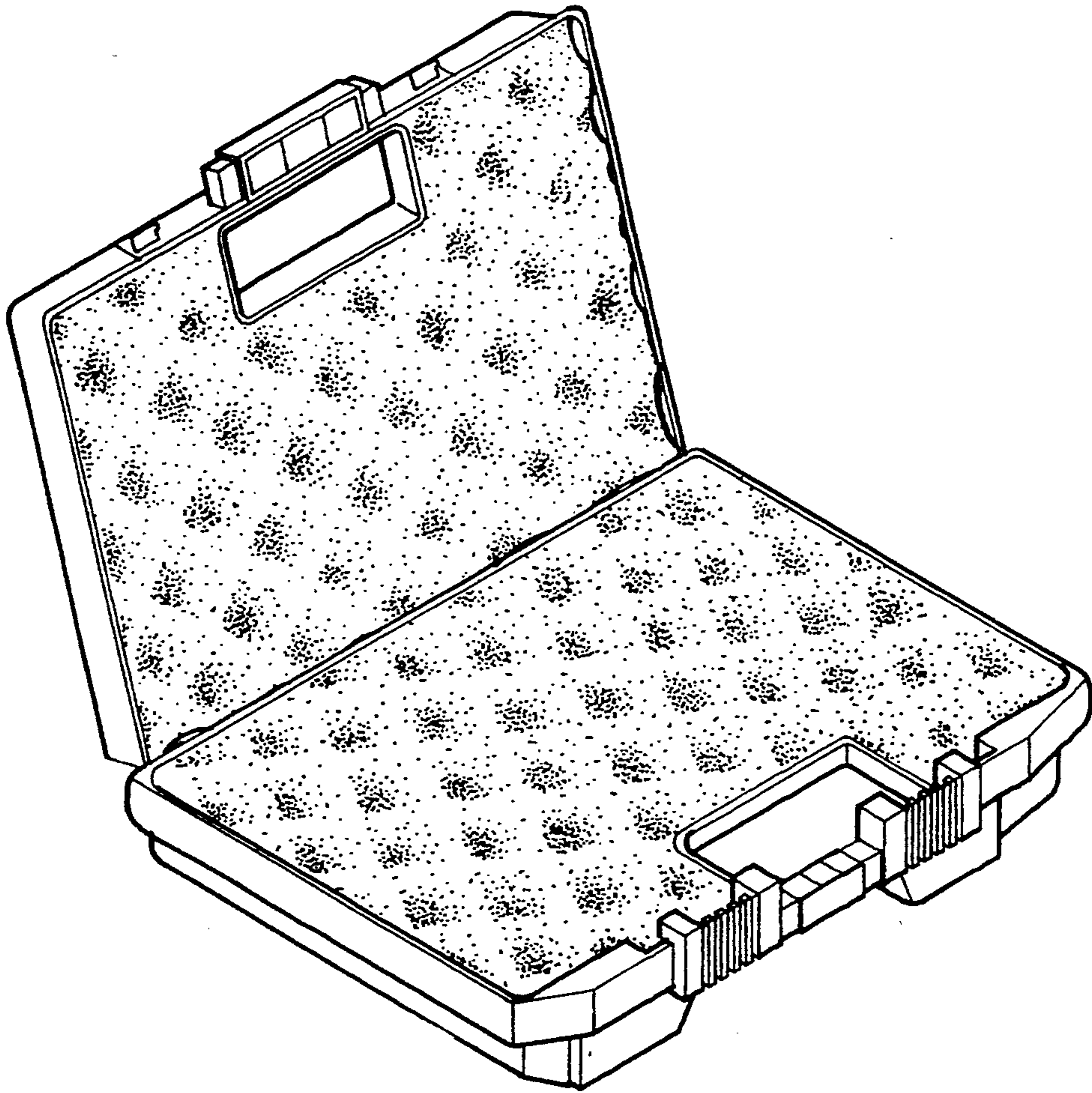


FIG. 8