



US00D357115S

# United States Patent [19]

[11] Patent Number: **Des. 357,115**

Abrams et al.

[45] Date of Patent: **\*\* Apr. 11, 1995**

[54] **CONTACT LENS PACKAGE**

[76] Inventors: **Richard W. Abrams**, 3889 Habbersham Forest Dr., Jacksonville, Fla. 32223; **Russell J. Crossman**, 4496 Charter Point Blvd., Jacksonville, Fla. 32211; **Charles R. Ashley**, P.O. Box 5325, Clinton, N.J. 08809

D. 256,727	9/1980	Borg et al.	.....	D9/415
D. 277,518	2/1985	Eggett	.....	D3/264
D. 287,105	12/1986	Osterhout	.....	D9/415
D. 311,331	10/1990	Diba et al.	.....	D9/415
4,691,820	9/1987	Martinez	.....	206/205
4,852,594	8/1989	Chen	.....	206/5.1
4,942,959	7/1990	Sauber et al.	.....	206/5.1

*Primary Examiner*—C. A. Murphy

[\*\*] Term: **14 Years**

[57] **CLAIM**

[21] Appl. No.: **21,783**

The ornamental design for a contact lens package, as shown and described.

[22] Filed: **Apr. 21, 1994**

**DESCRIPTION**

[52] U.S. Cl. .... **D3/264; D9/415**

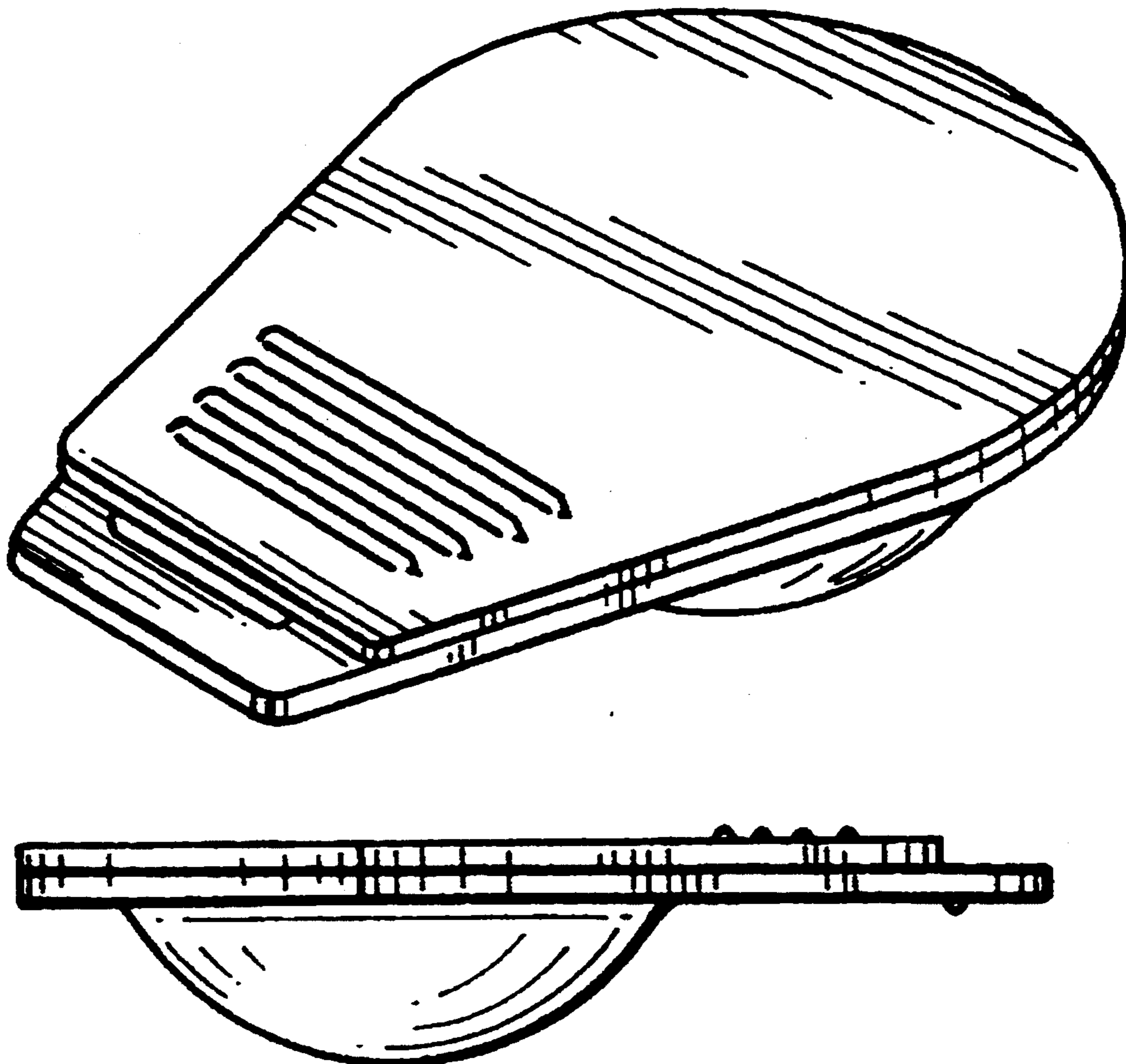
[58] Field of Search ..... **D3/201, 263, 264; D9/341, 415; D16/134, 136; 206/5.1, 316.1, 822**

FIG. 1 is a perspective view of a contact lens package showing our new design;  
FIG. 2 is a left side elevation view thereof; the right side elevational view being a mirror image thereof;  
FIG. 3 is a top plan view thereof;  
FIG. 4 is a bottom plan view thereof;  
FIG. 5 is a front elevational view thereof; and,  
FIG. 6 is a rear elevational view thereof.

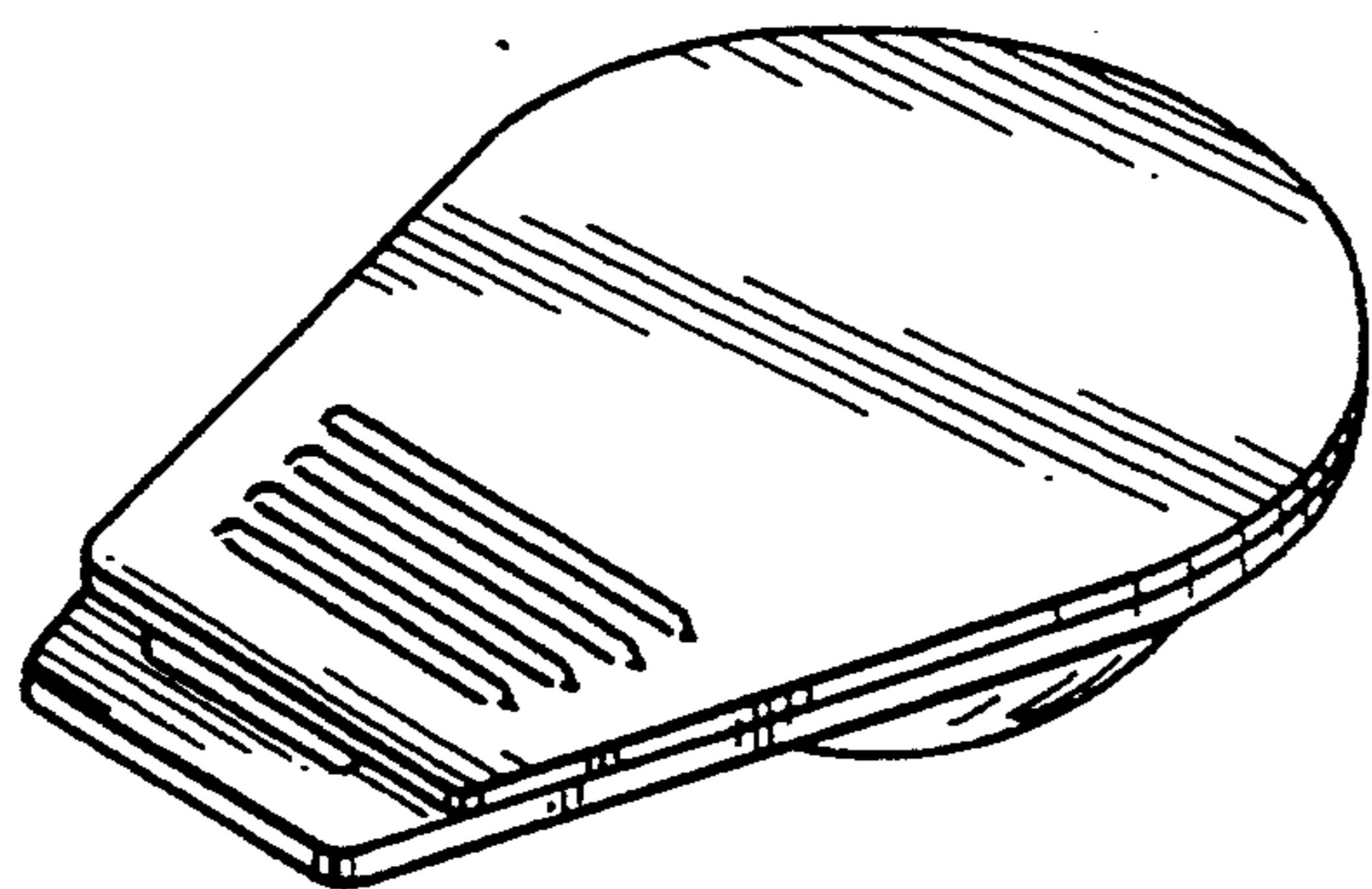
[56] **References Cited**

**U.S. PATENT DOCUMENTS**

D. 248,543 7/1978 Strelcheck ..... D9/415



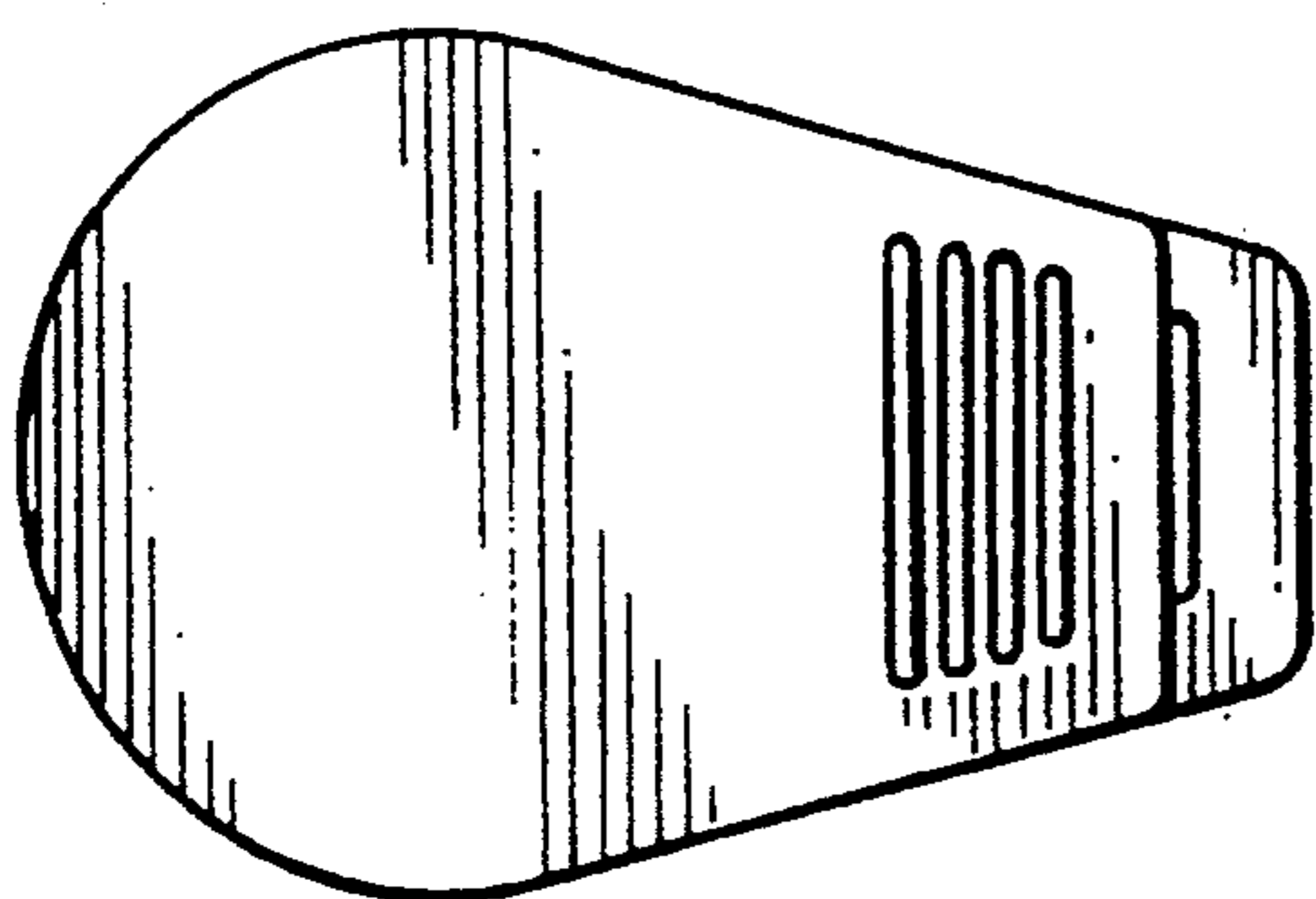
*FIG-1*



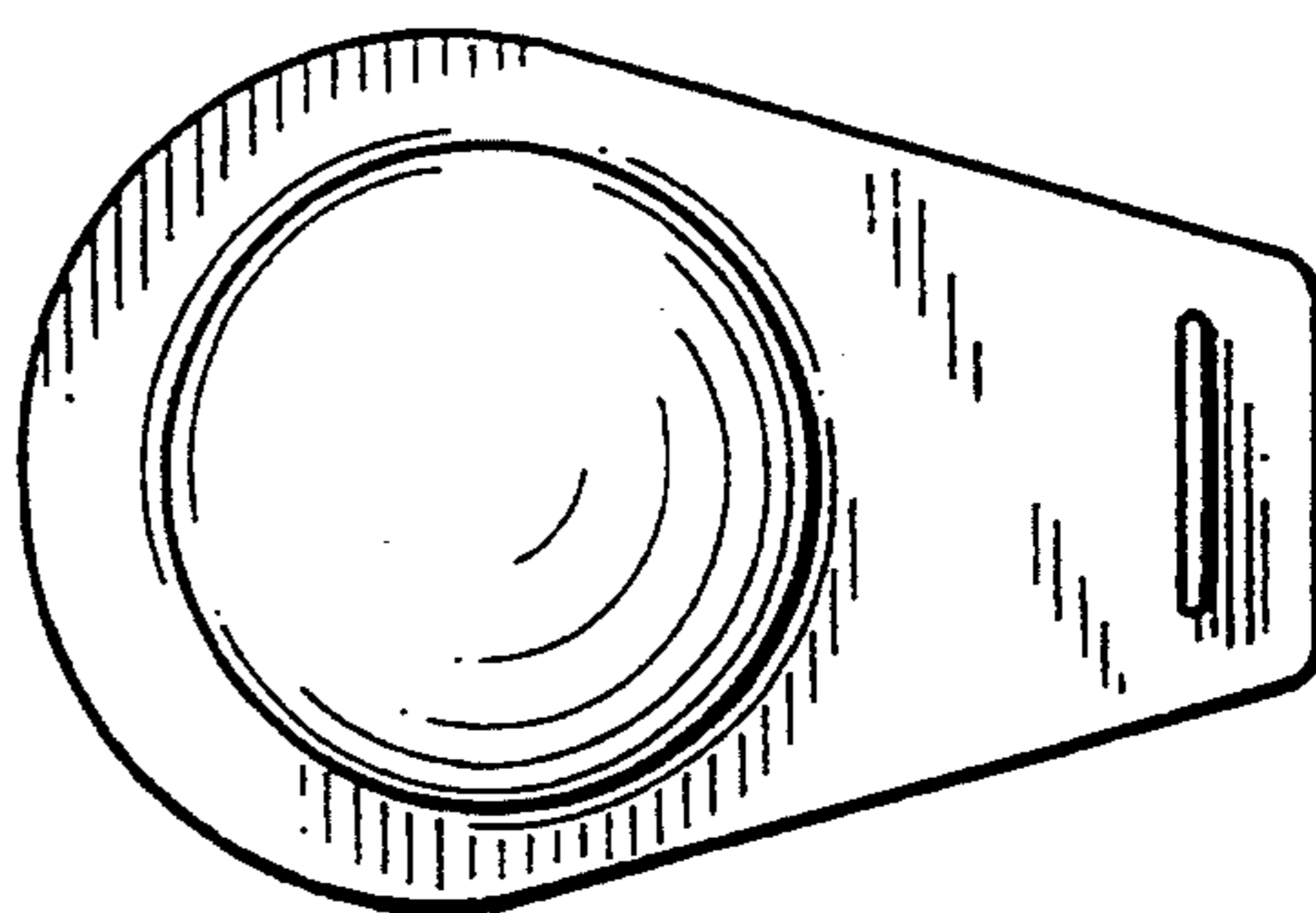
*FIG-2*



*FIG-3*



*FIG-4*



*FIG-5*



*FIG-6*

