



US00D357113S

# United States Patent [19] Green

[11] Patent Number: **Des. 357,113**  
[45] Date of Patent: **\*\* Apr. 11, 1995**

[54] **CROCHET YARN CADDY**  
[76] Inventor: **Freddie E. Green**, 1011 Darnell, Ft. Worth, Tex. 76126

3,529,608 9/1970 Mates ..... D28/37 X  
4,634,077 1/1987 Wilson ..... 242/139  
4,955,557 9/1990 Sewell et al. .... 242/134  
5,074,484 12/1991 Kray ..... 242/134 X

[\*\*] Term: **14 Years**

### FOREIGN PATENT DOCUMENTS

[21] Appl. No.: **13,175**

1484861 9/1977 United Kingdom ..... 242/134

[22] Filed: **Sep. 20, 1993**

*Primary Examiner*—Louis S. Zarfes

[52] U.S. Cl. .... **D3/24**

### [57] CLAIM

[58] Field of Search ..... **D3/18, 21-25; 242/118, 130, 134, 139, 141; D28/37**

The ornamental design for a crochet yarn caddy, as shown and described.

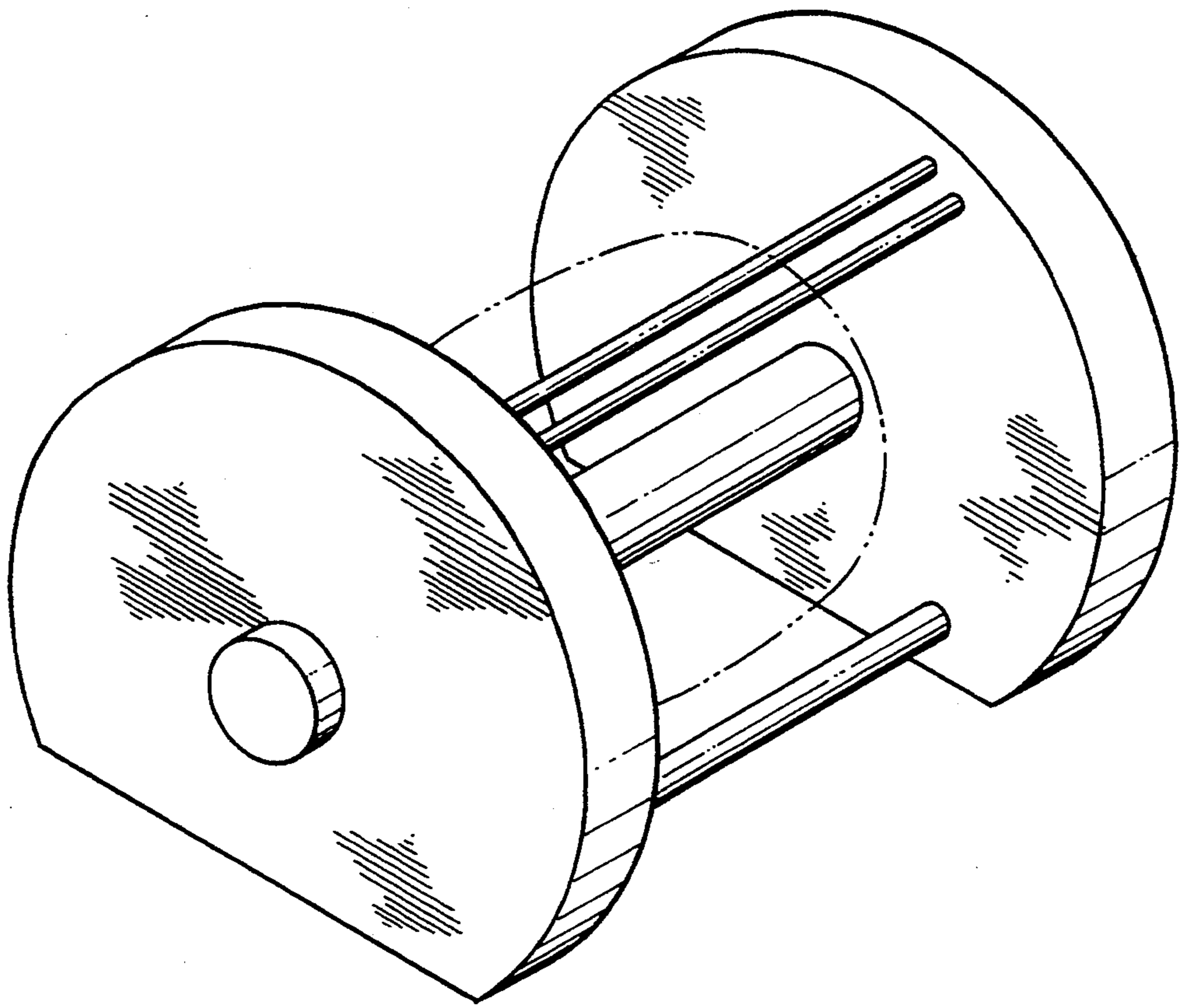
### [56] References Cited

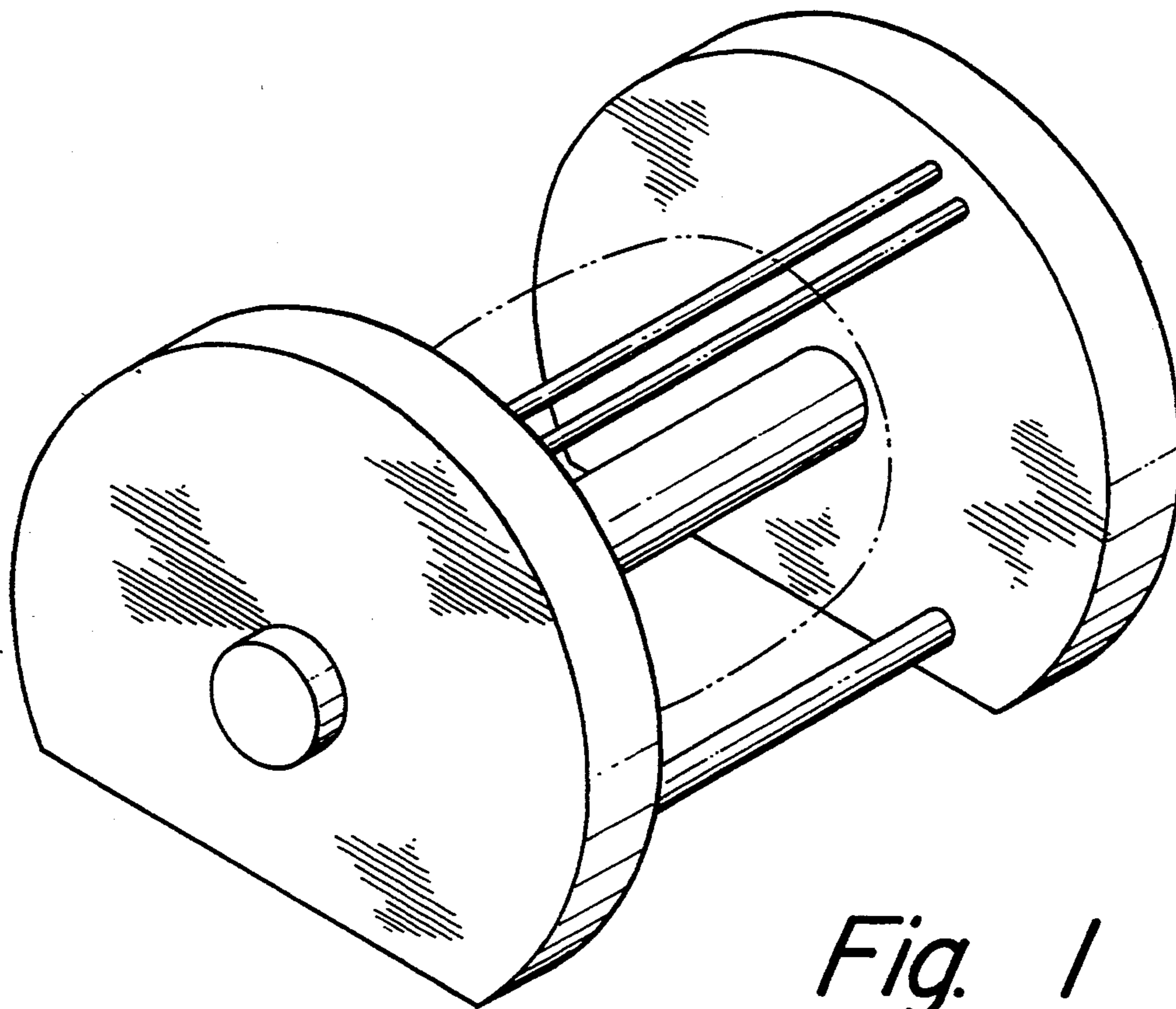
### DESCRIPTION

#### U.S. PATENT DOCUMENTS

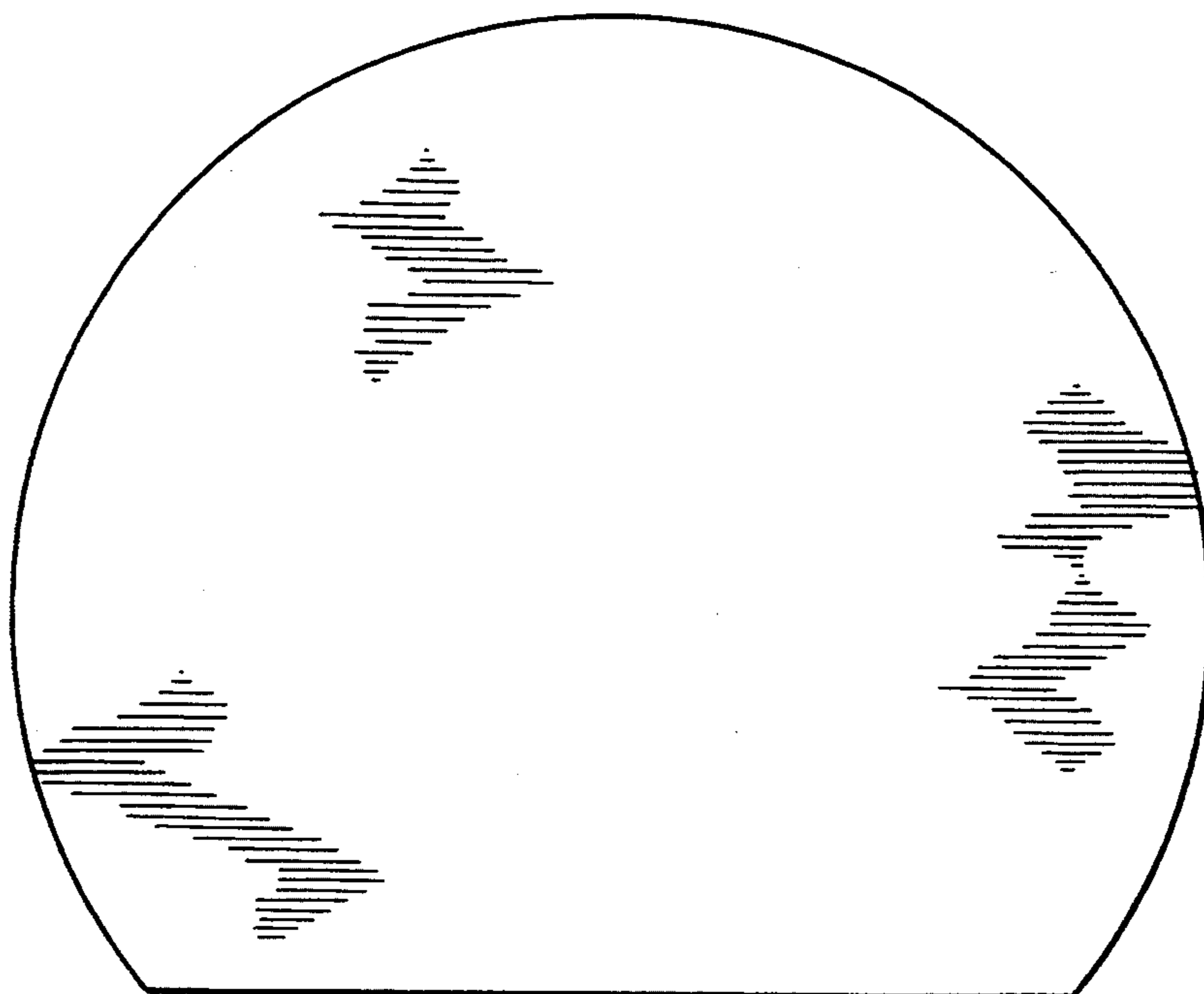
669,791 3/1901 Herbst ..... 242/139  
1,174,637 3/1916 Stupfell .  
1,505,623 8/1924 Burton ..... 242/139  
2,239,226 4/1941 Graham, Sr. .... 242/130  
2,741,442 4/1956 Aupperle ..... D3/24  
3,420,468 1/1969 Rhoades ..... 242/134

FIG. 1 is a front side perspective view of the yarn caddy with the spool of yarn outlined in phantom;  
FIG. 2 is a rear elevational view thereof;  
FIG. 3 is a top plan view thereof;  
FIG. 4 is a right side elevational view thereof;  
FIG. 5 is a left side elevational view thereof; and,  
FIG. 6 is a bottom plan view thereof.

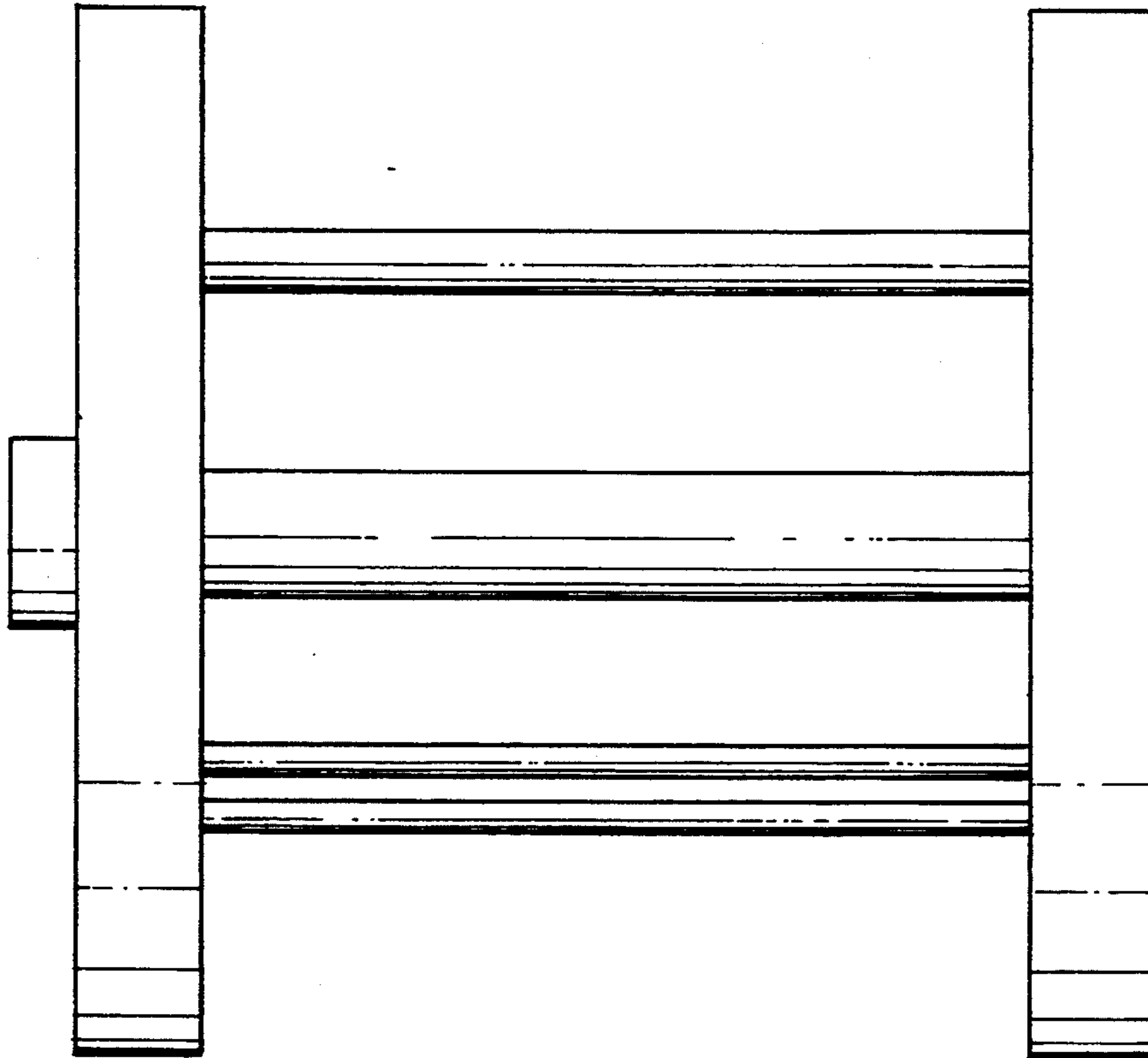




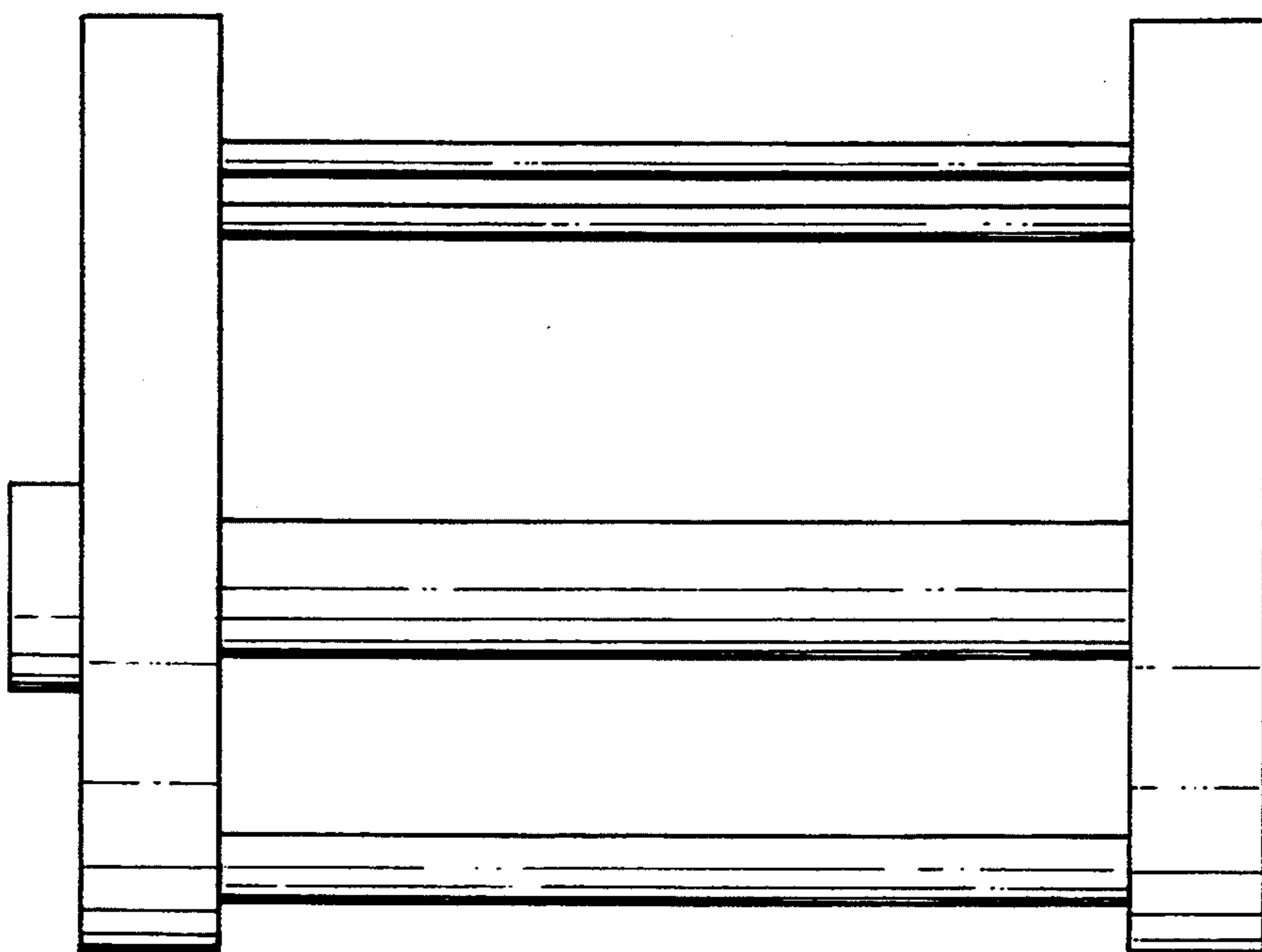
*Fig. 1*



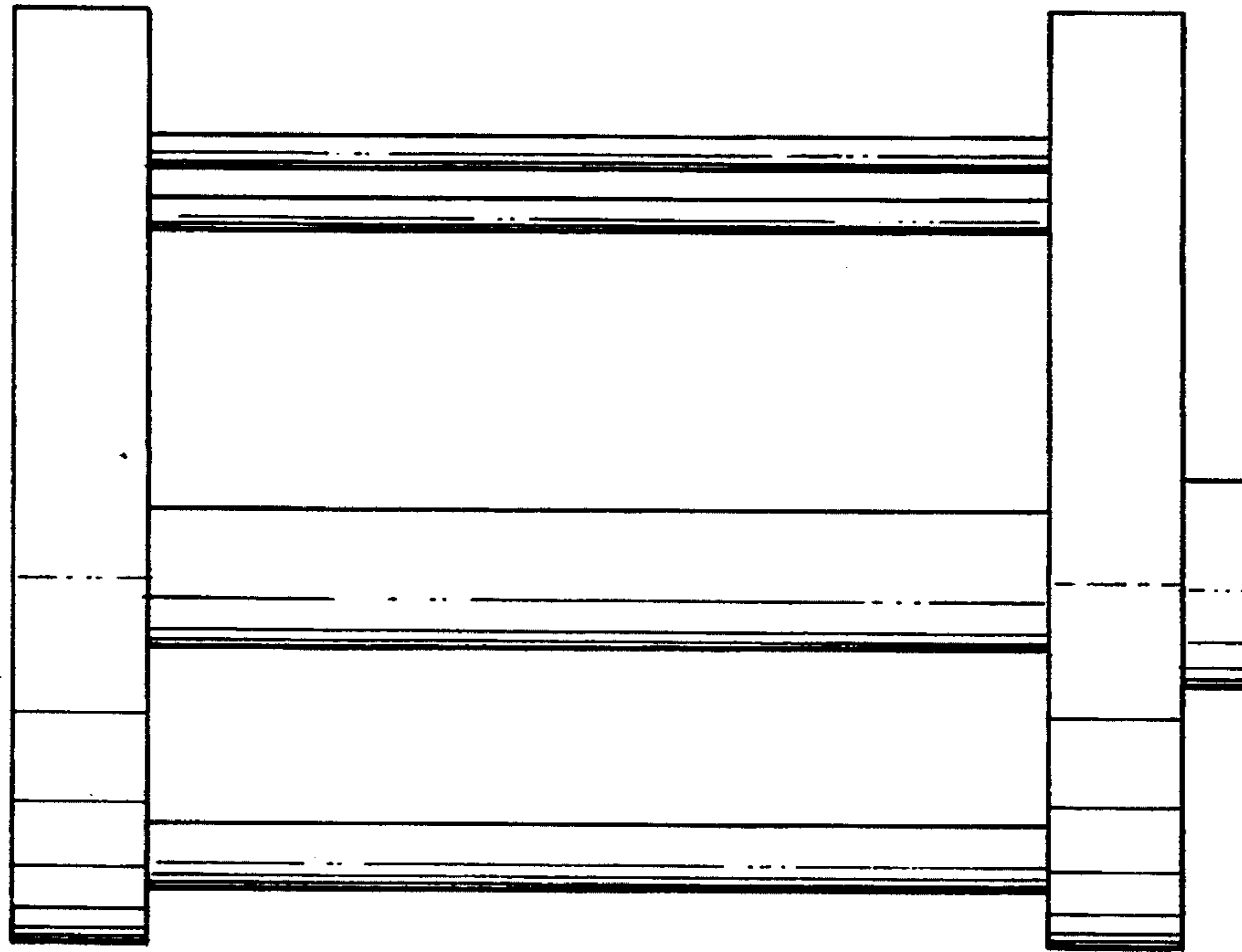
*Fig. 2*



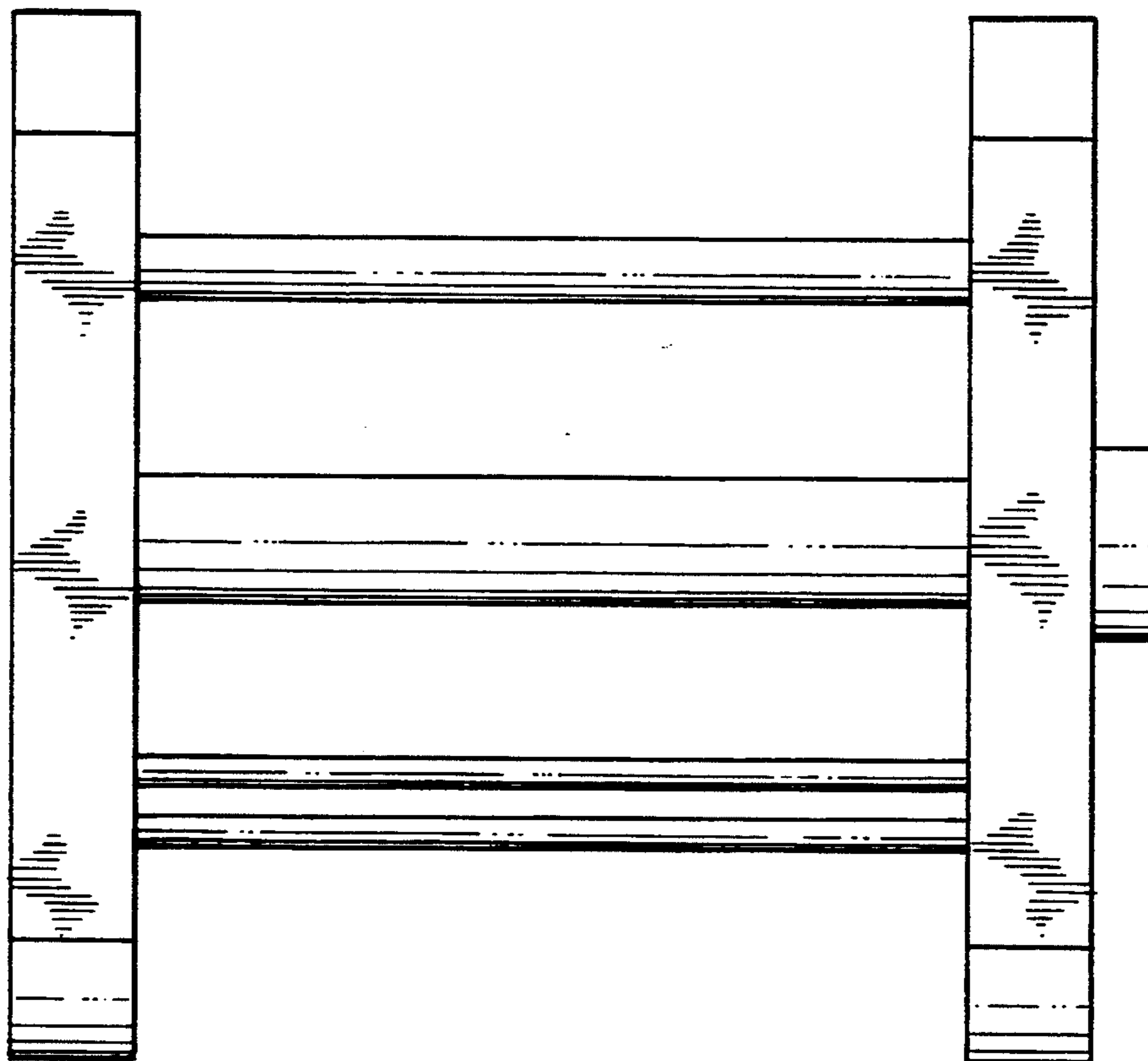
*Fig. 3*



*Fig. 4*



*Fig. 5*



*Fig. 6*