



US00D357110S

United States Patent [19]

[11] Patent Number: **Des. 357,110**

Parr et al.

[45] Date of Patent: **** Apr. 11, 1995**

[54] **PERSONAL PROTECTION TENT**
[76] Inventors: **Virgil Parr; Beverly Parr**, both of 208 N. Longworth Ave., Louisville, Ky. 40212

3,228,034 1/1966 Grove D2/824
3,329,971 7/1967 Shelby 2/69
3,597,764 8/1971 Povey 2/69.5
3,798,676 3/1974 Shanks et al. 2/69.5

[**] Term: **14 Years**
[21] Appl. No.: **11,923**
[22] Filed: **Aug. 18, 1993**

FOREIGN PATENT DOCUMENTS

115450 2/1944 Sweden 2/69.5

[52] U.S. Cl. **D2/825; D2/719; D2/824; D25/16**
[58] Field of Search **D25/16, 33, 103, 114, D25/1, 2; D21/253; 135/900, 901, 902, 109; 224/154, 187, 190; D29/100; 2/69, 69.5, 89; D24/209**

Primary Examiner—A. Hugo Word
Assistant Examiner—Catherine R. Oliver
Attorney, Agent, or Firm—Terry M. Gernstein

[57] CLAIM

The ornamental design for a personal protection tent, as shown and described.

[56] References Cited U.S. PATENT DOCUMENTS

DESCRIPTION

D. 293,170	12/1987	Roberts	D6/502
D. 293,282	12/1987	Ashford	D6/502
D. 294,319	2/1988	Troup et al.	D6/502
2,478,268	8/1949	Hudson	135/900 X
2,705,325	4/1955	Bogenberger	2/69
2,911,649	11/1959	Ruelle et al.	D29/100 X

FIG. 1 is a front, top and side perspective view of the personal protection tent showing my new design; FIG. 2 is a front elevational view thereof; FIG. 3 is a front elevational view thereof; FIG. 4 is a side elevational view thereof, the side opposite being a mirror image of the side shown in FIG. 4; FIG. 5 is a top plan view thereof; and, FIG. 6 is a bottom plan view thereof.

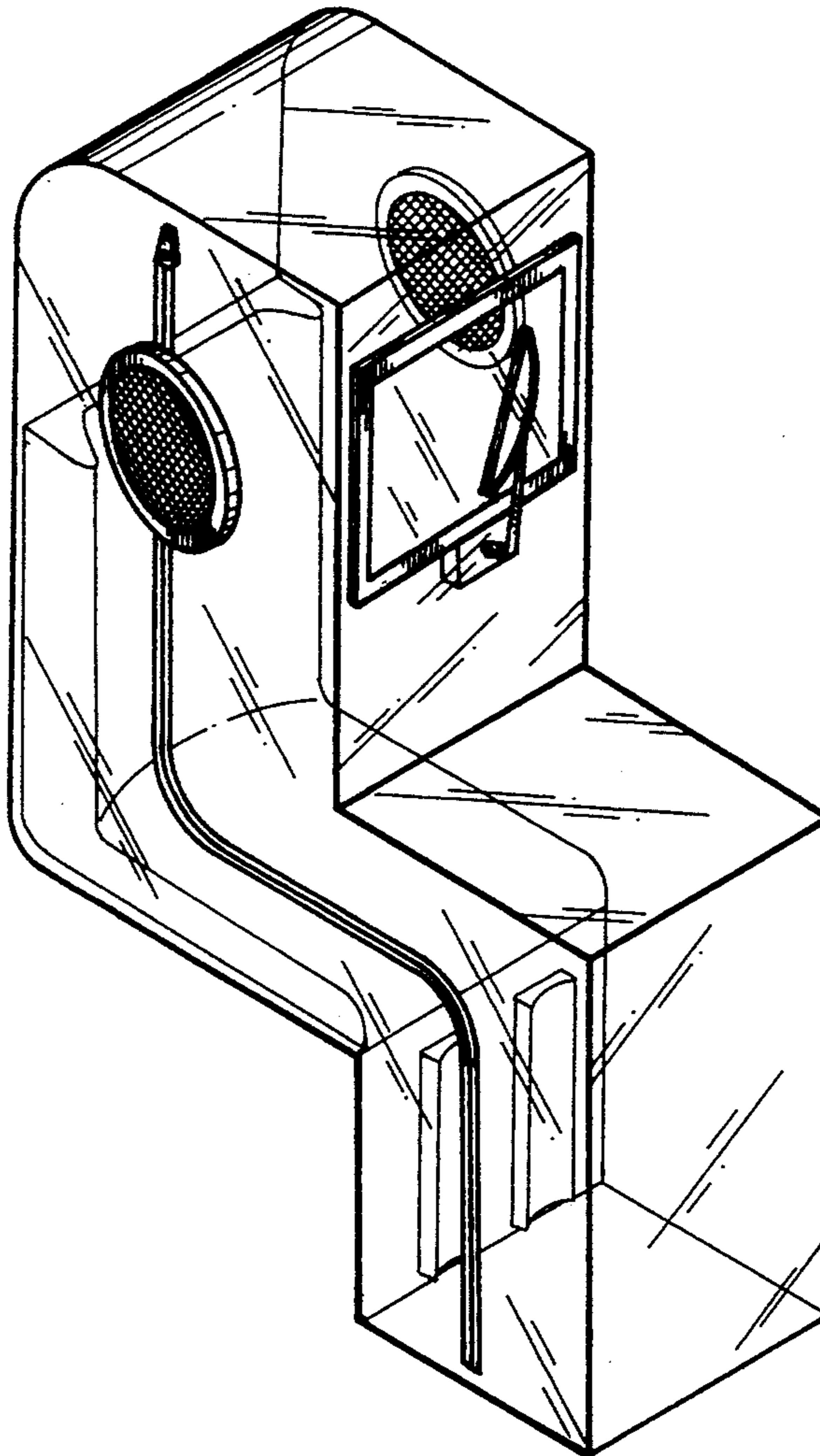
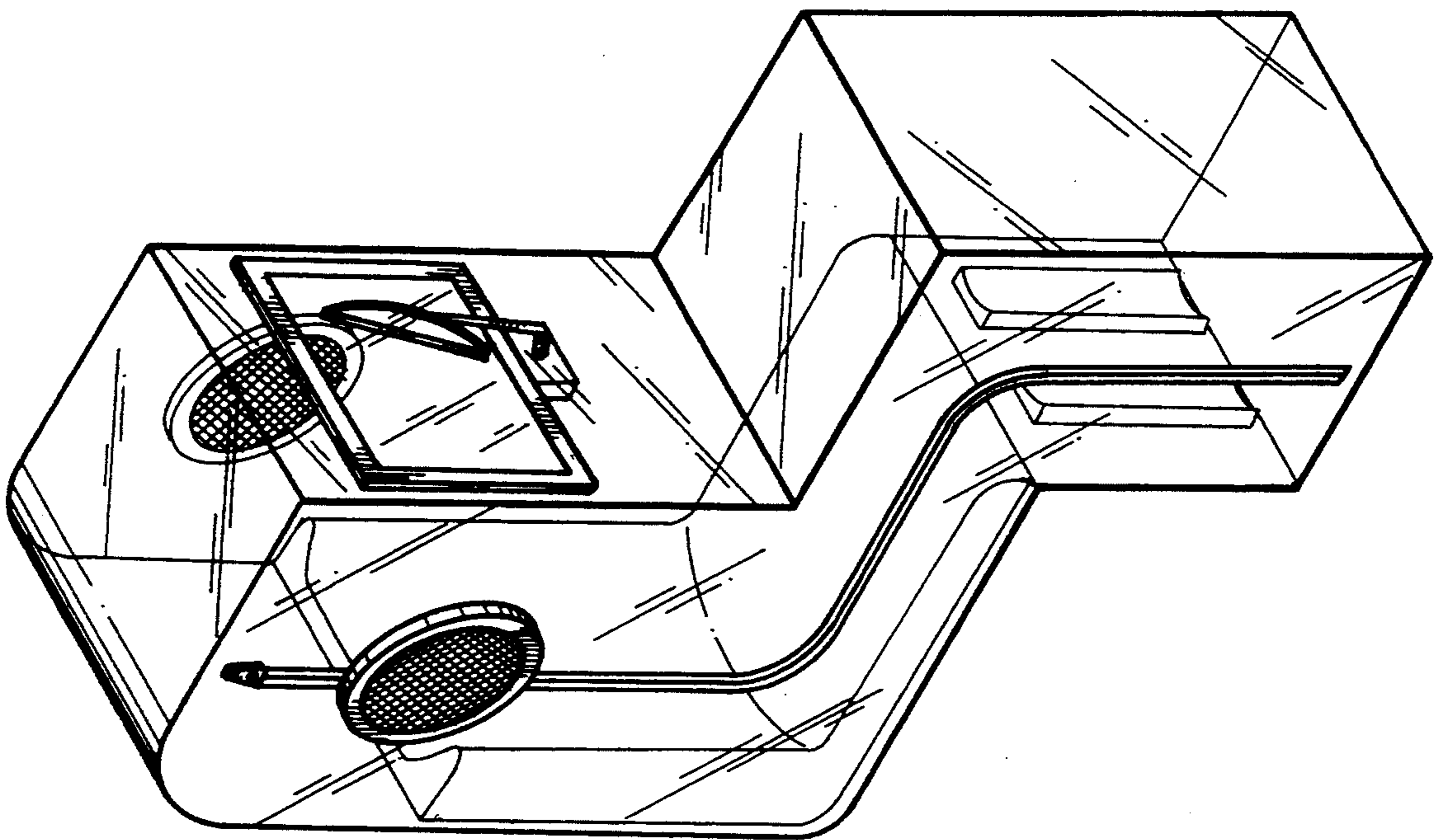


FIG.1.



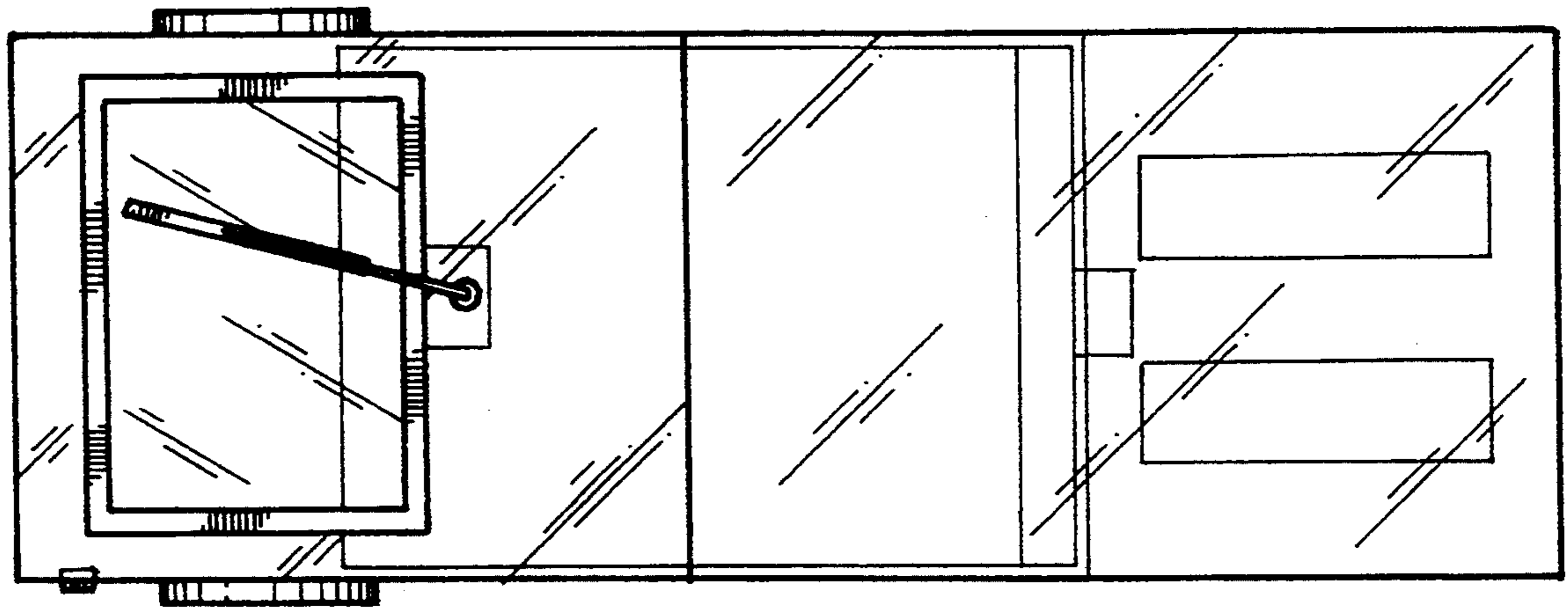


FIG. 2.

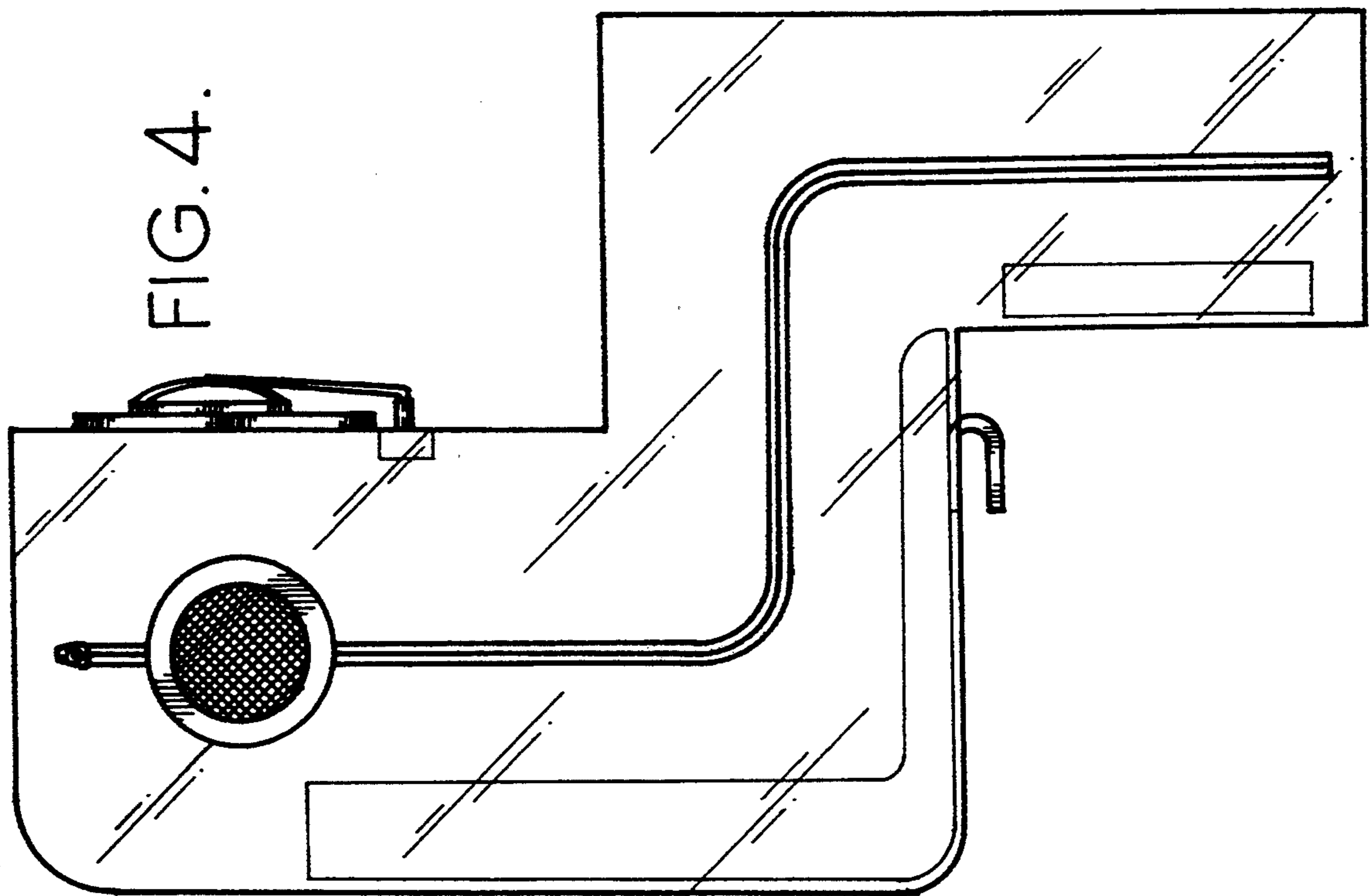


FIG. 4.

FIG. 5.

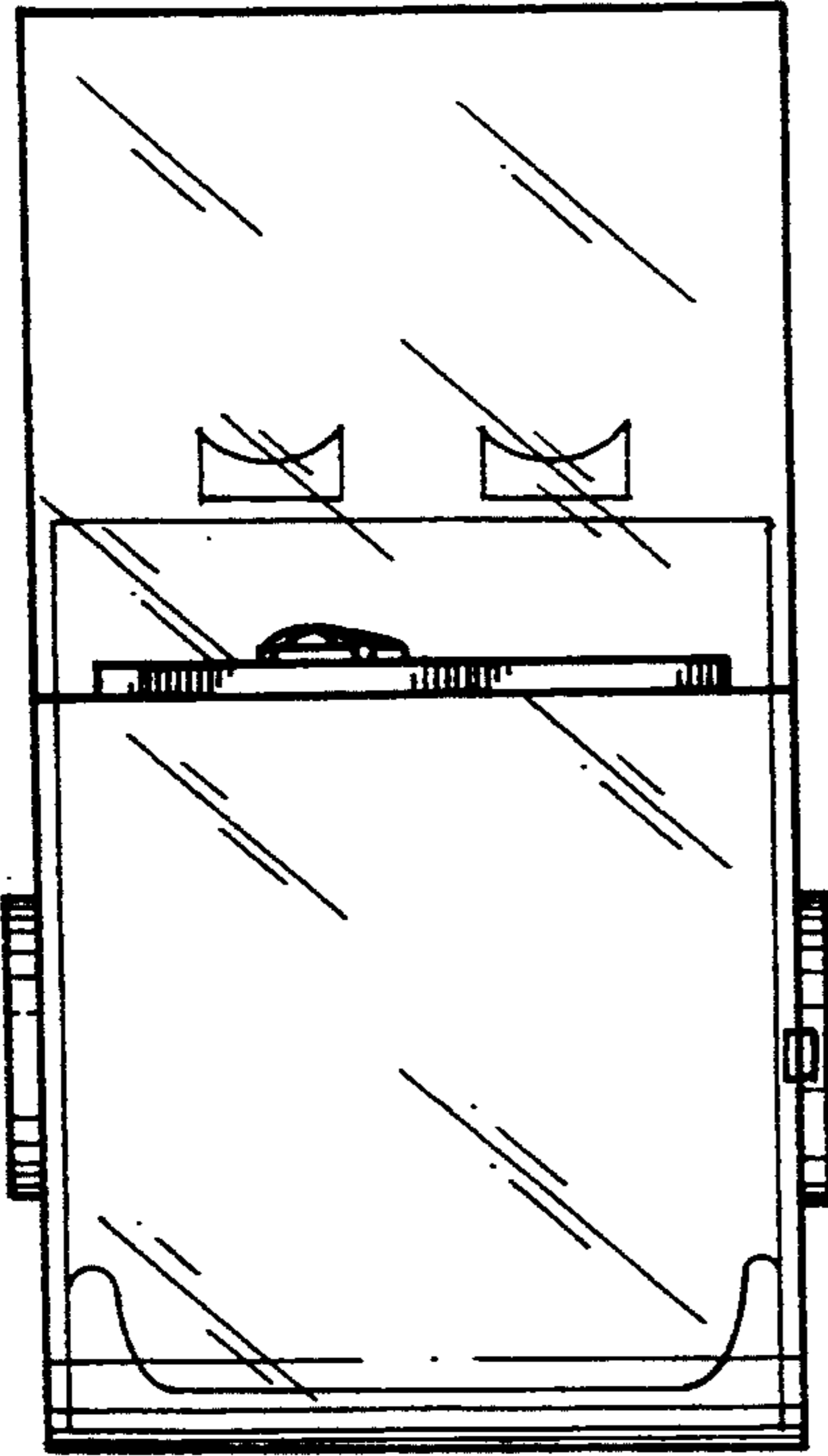


FIG. 6.

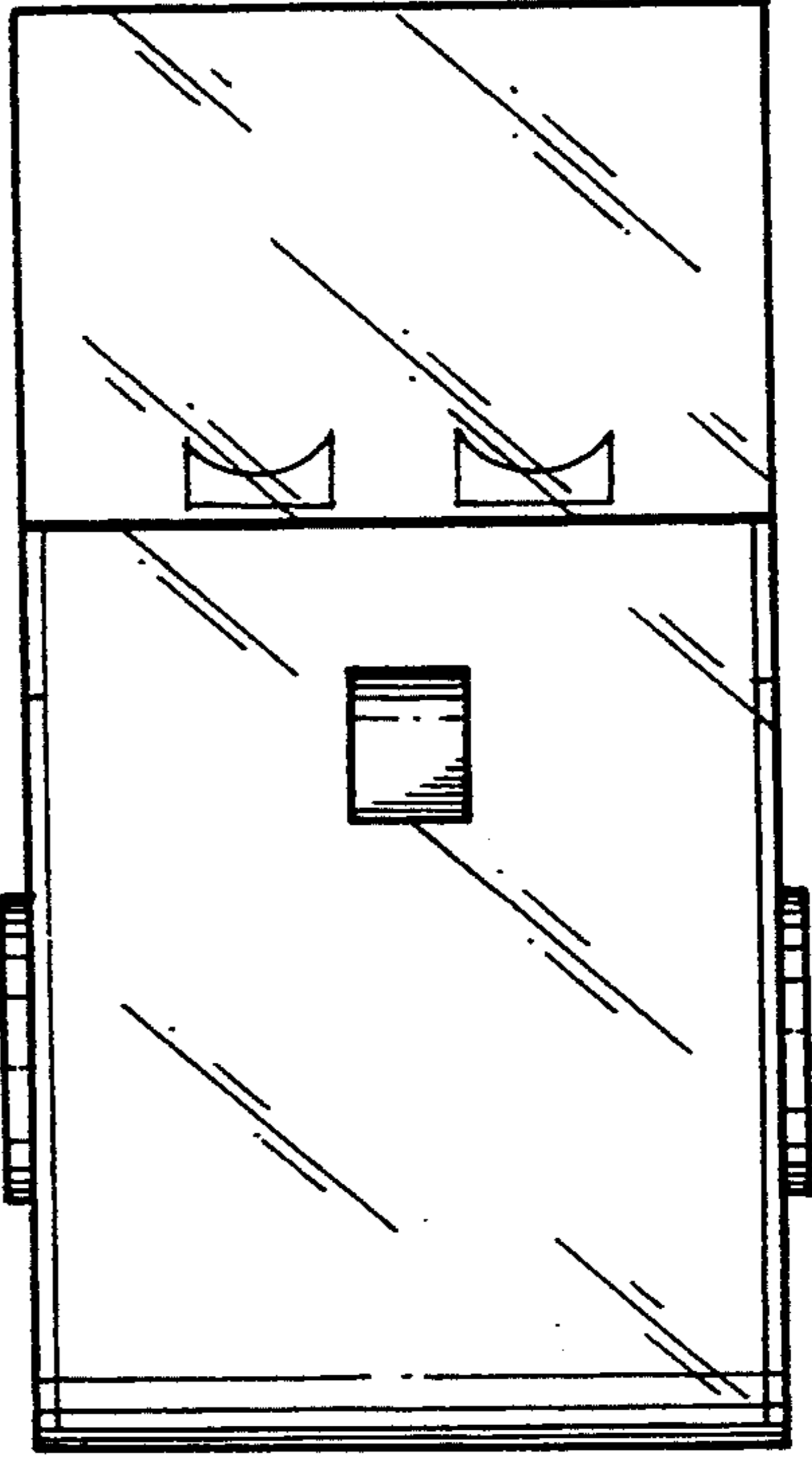


FIG. 3.

