



US00D357108S

United States Patent [19]

[11] Patent Number: **Des. 357,108**

Hutchison

[45] Date of Patent: **** Apr. 4, 1995**

[54] **CORRUGATED SHEET MATERIAL PALLET**

[75] Inventor: **Joel P. Hutchison**, San Antonio, Tex.

[73] Assignee: **Kormac Pallet Company, Inc.**, San Antonio, Tex.

[**] Term: **14 Years**

[21] Appl. No.: **17,225**

[22] Filed: **Jan. 7, 1994**

[52] U.S. Cl. **D34/38**

[58] Field of Search **D34/38; 206/386, 597, 206/599; 108/51.1, 51.3, 52.1, 53.1, 53.3, 55.3, 56.1, 57.1**

4,714,026	12/1987	Yamaguchi et al. .	
4,863,024	9/1989	Booth .	
4,930,661	6/1990	Voorhies	206/386
4,979,446	12/1990	Winebarger .	
5,036,979	8/1991	Selz	206/386
5,042,397	8/1991	Fiedler .	
5,057,176	10/1991	Bainbridge .	
5,076,176	12/1991	Clasen .	
5,156,094	10/1992	Johansson et al. .	
5,226,544	7/1993	Gallucci et al. .	

FOREIGN PATENT DOCUMENTS

558741	2/1975	Switzerland .
2173768	10/1986	United Kingdom .

Primary Examiner—Wallace R. Burke
Assistant Examiner—Robin V. Taylor
Attorney, Agent, or Firm—Richard C. Litman

[56] **References Cited**

U.S. PATENT DOCUMENTS

D. 337,406	7/1993	Herring et al.	D34/38
2,045,733	6/1936	Spafford .	
2,620,117	12/1952	Nemoede	206/386
2,651,486	9/1953	Woodward	108/51.1
3,006,590	10/1961	Hoag .	
3,464,371	9/1969	Gifford .	
3,511,191	5/1970	Barry et al.	108/51.1
3,556,886	1/1971	Reusser	108/51.1
3,661,099	5/1972	Shelor .	
4,044,981	8/1977	Richter .	
4,378,743	4/1983	McFarland .	
4,424,753	1/1984	Eatherton .	
4,647,063	3/1987	Piringer et al. .	

[57] **CLAIM**

The ornamental design for a corrugated sheet material pallet, as shown and described.

DESCRIPTION

FIG. 1 is a top perspective view of a corrugated sheet material pallet showing my new design; FIG. 2 is a front elevational view thereof, the rear being a mirror image; FIG. 3 is a bottom view thereof; and, FIG. 4 is a left side view thereof, the right side being a mirror image.

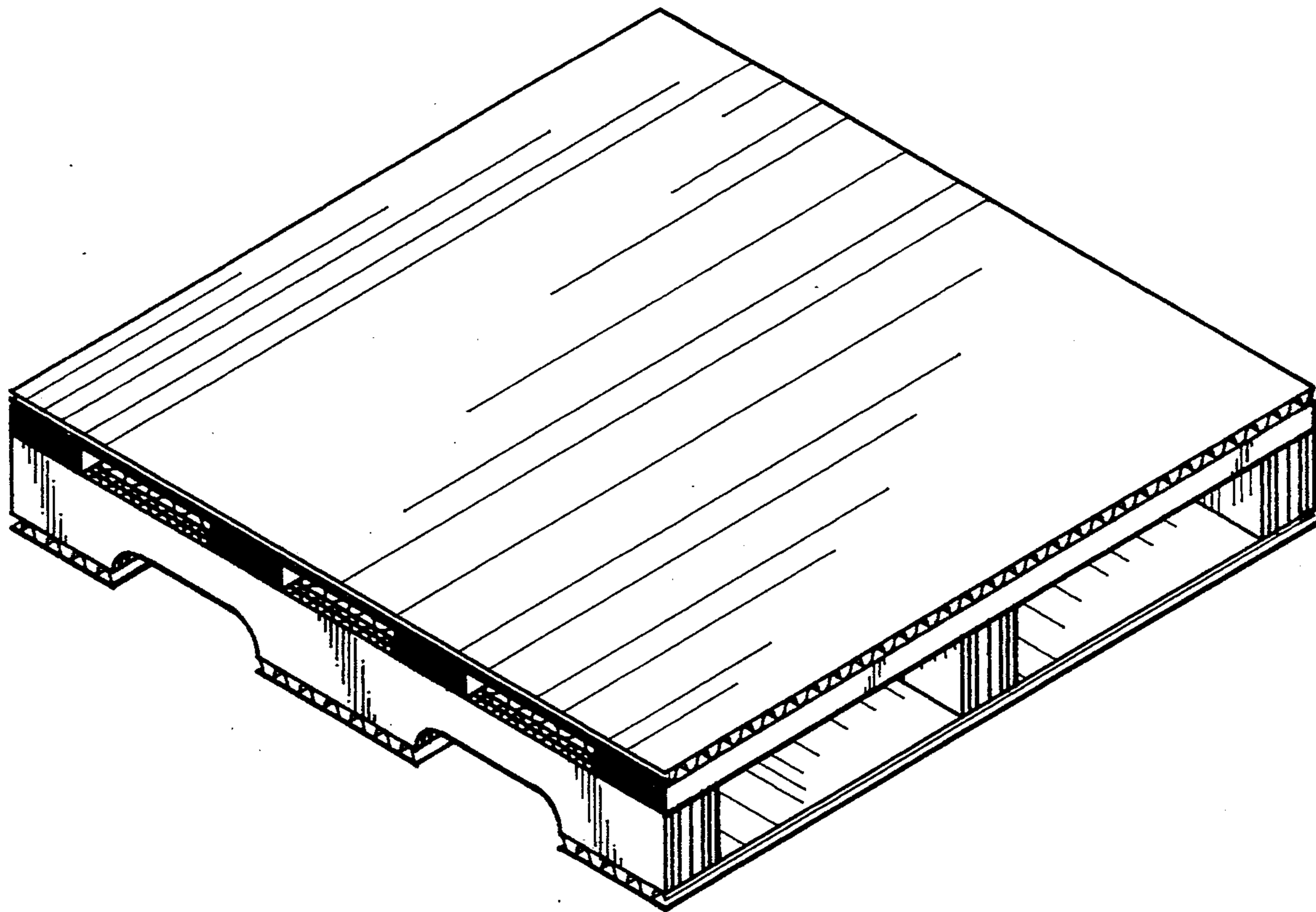
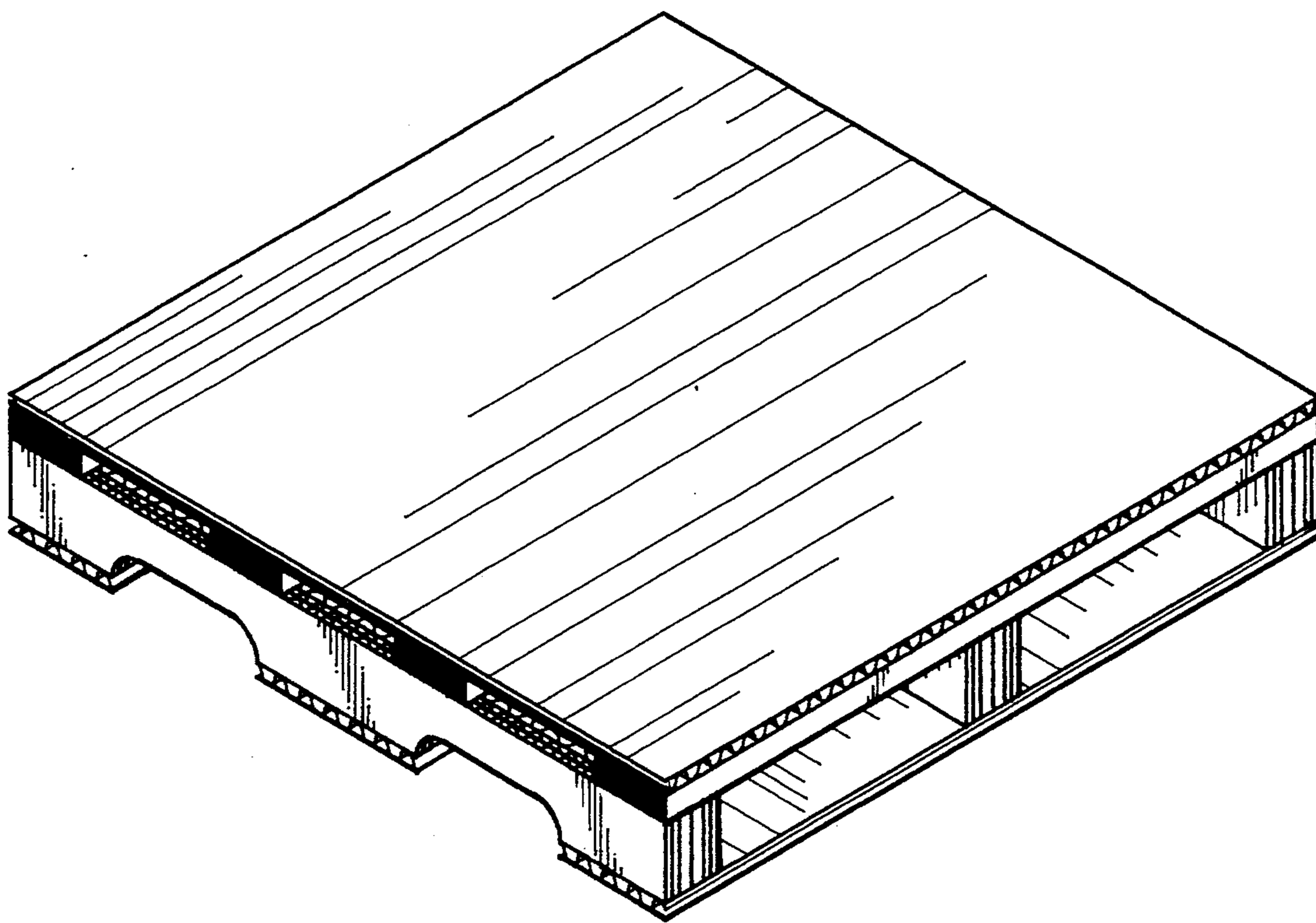


Fig. 1



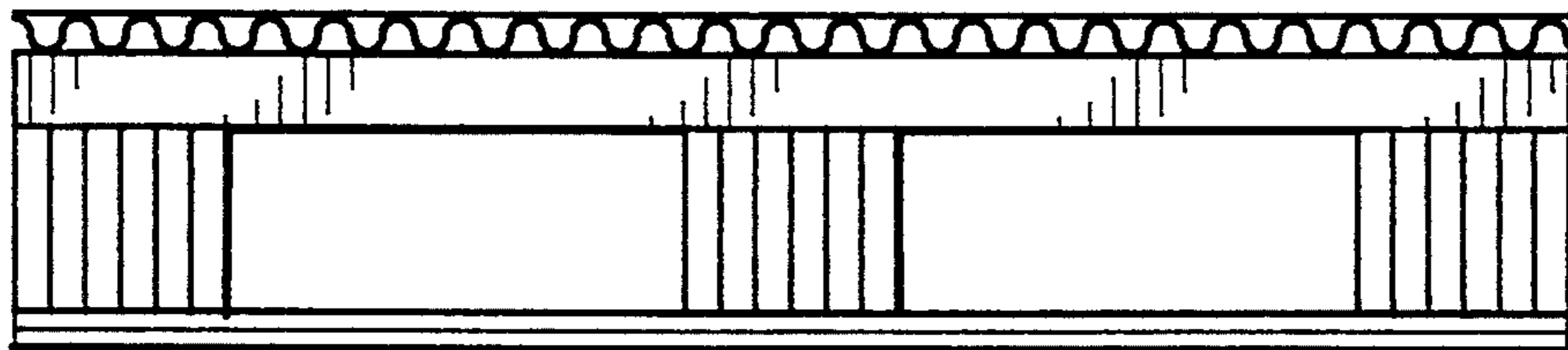


Fig. 2

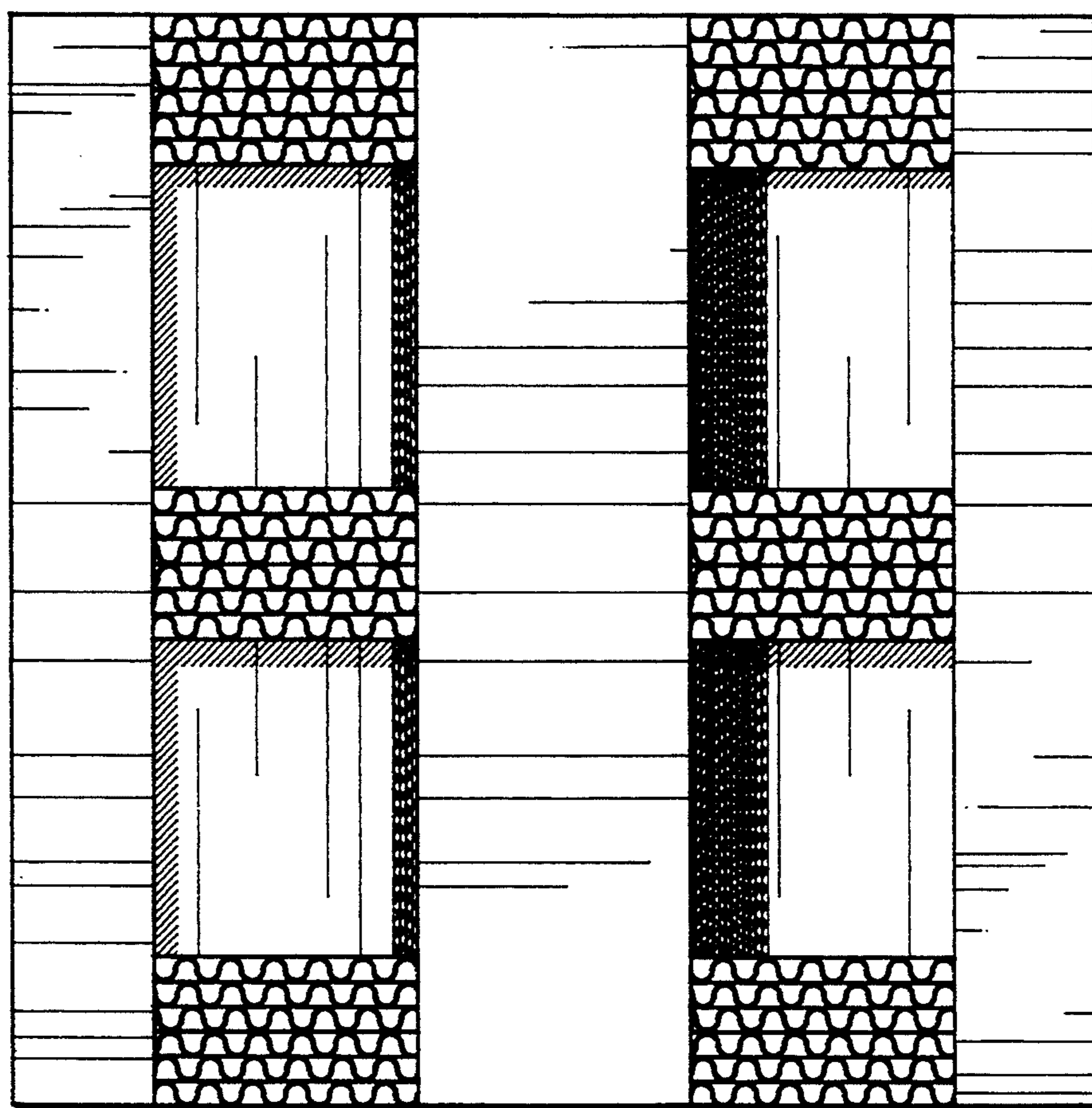


Fig. 3

Fig. 4

