



US00D357106S

United States Patent [19]

[11] Patent Number: **Des. 357,106**

Francis et al.

[45] Date of Patent: **** Apr. 4, 1995**

[54] **VEHICLE WHEEL LIFT AND STAND JACK**

4,597,561 7/1986 Wenzel 254/45
4,599,034 7/1986 Kennedy et al. 414/678

[75] Inventors: **Richard T. Francis, Easton; Jerry A. Ohlemeier, St. Joseph, both of Mo.**

OTHER PUBLICATIONS

Automotive News p. 38 Sep. 1961—Service Jack.

[73] Assignee: **Gray Automotive Products Company, St. Joseph, Mo.**

Primary Examiner—James M. Gandy

Assistant Examiner—Robin V. Taylor

Attorney, Agent, or Firm—Hovey, Williams, Timmons & Collins

[**] Term: **14 Years**

[21] Appl. No.: **21,567**

[57] CLAIM

[22] Filed: **Apr. 20, 1994**

[52] U.S. Cl. **D34/31**

The ornamental design for a vehicle wheel lift and stand jack, as shown and described.

[58] Field of Search **D34/28, 31, 33; D12/101, 106; 254/2 R, 8 R, 11, 84, 93 H, 93 R, 93 VA, 134, 133, 418, 419**

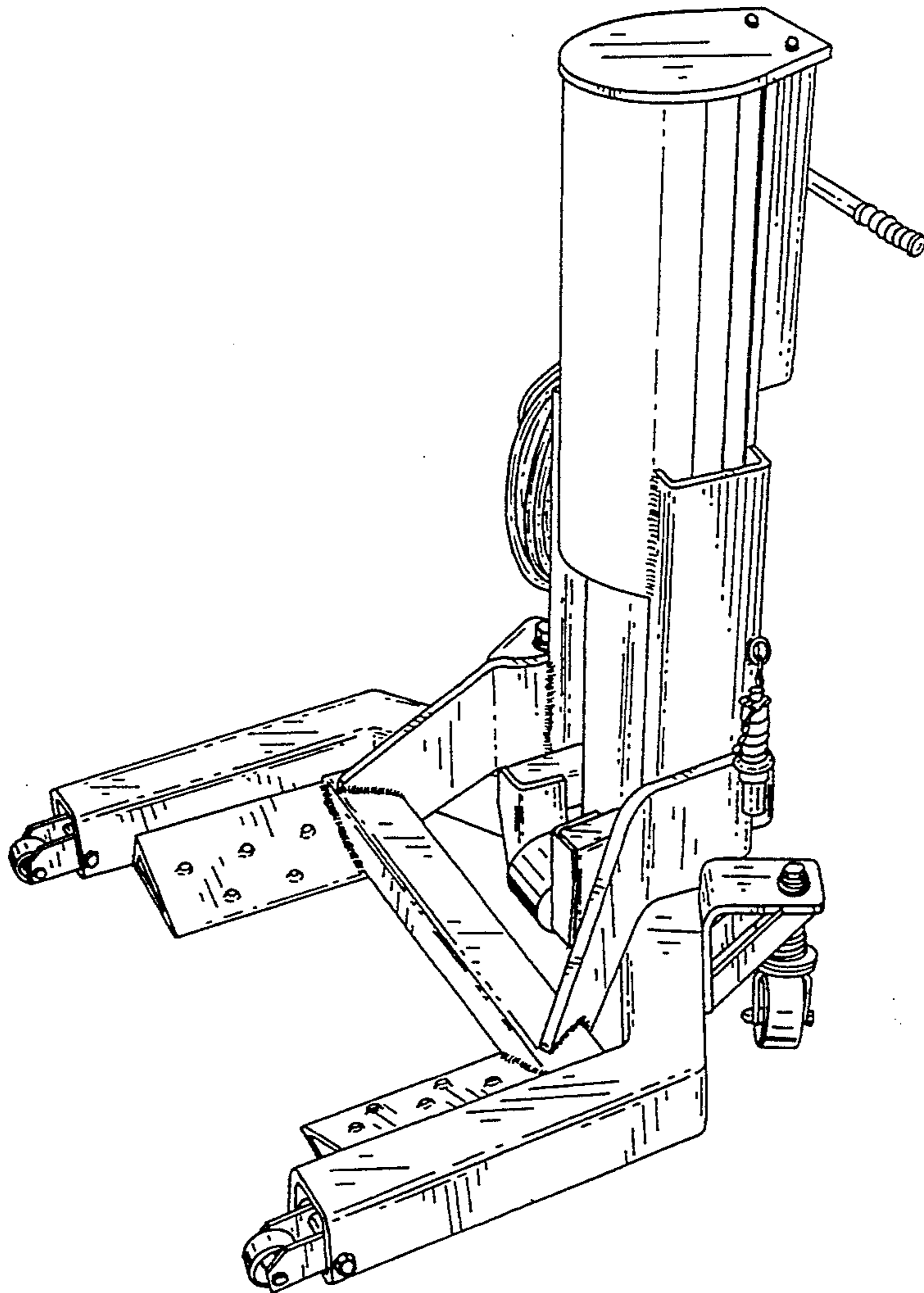
DESCRIPTION

[56] References Cited

U.S. PATENT DOCUMENTS

D. 193,520	9/1962	Matson	D34/31
D. 204,009	3/1966	Gray	D34/31
D. 206,386	12/1966	Vermette	D34/31
D. 214,930	8/1969	Kincaid et al.	D34/31
3,130,956	4/1964	Mandelko	254/2

FIG. 1 is a perspective view of a vehicle wheel lift and stand jack showing our new design; FIG. 2 is a front elevational view thereof; FIG. 3 is a rear elevational view thereof; FIG. 4 is a left side view thereof; FIG. 5 is a right side view thereof; FIG. 6 is a top plan view thereof; and, FIG. 7 is a bottom plan view thereof.



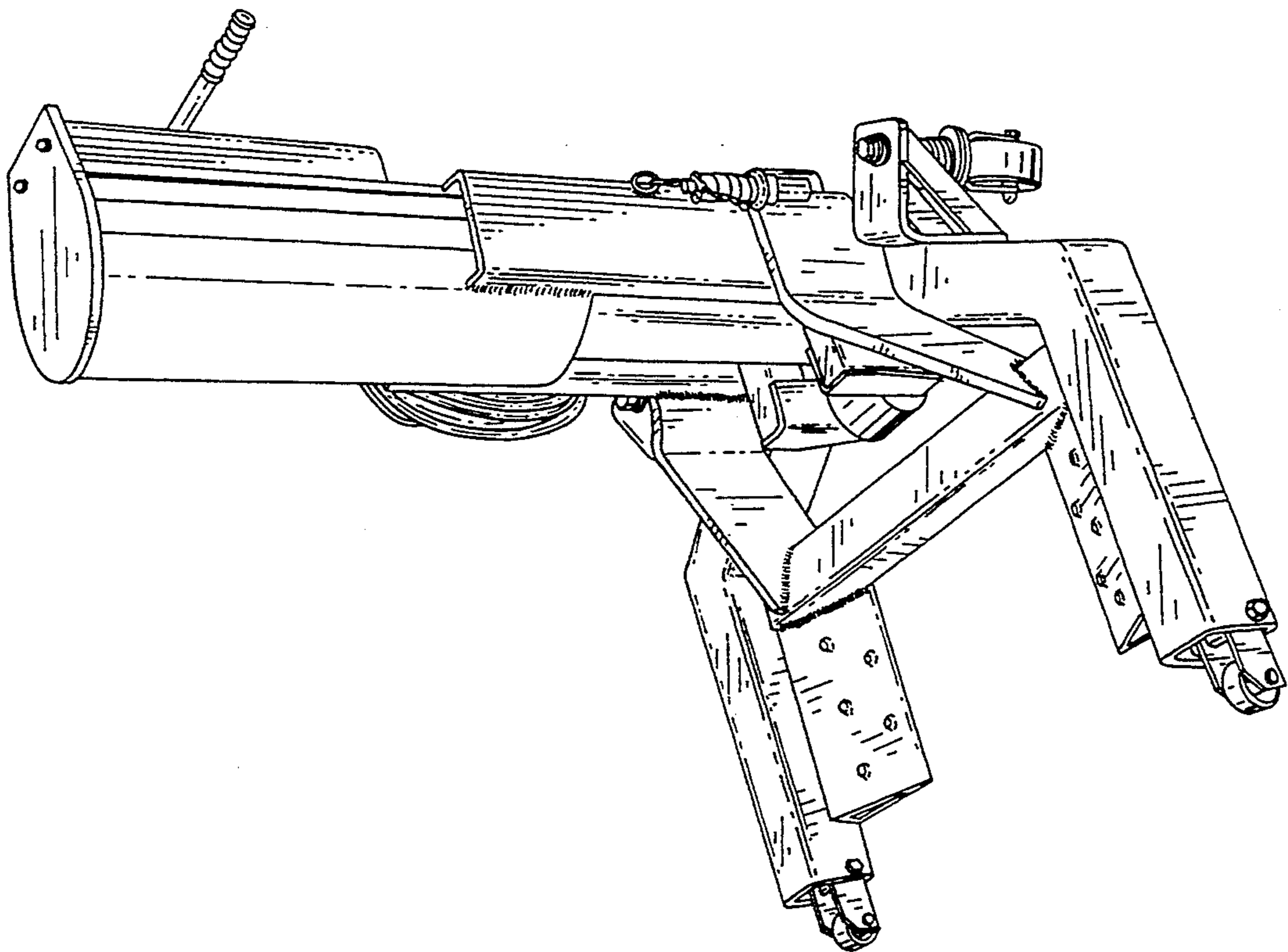
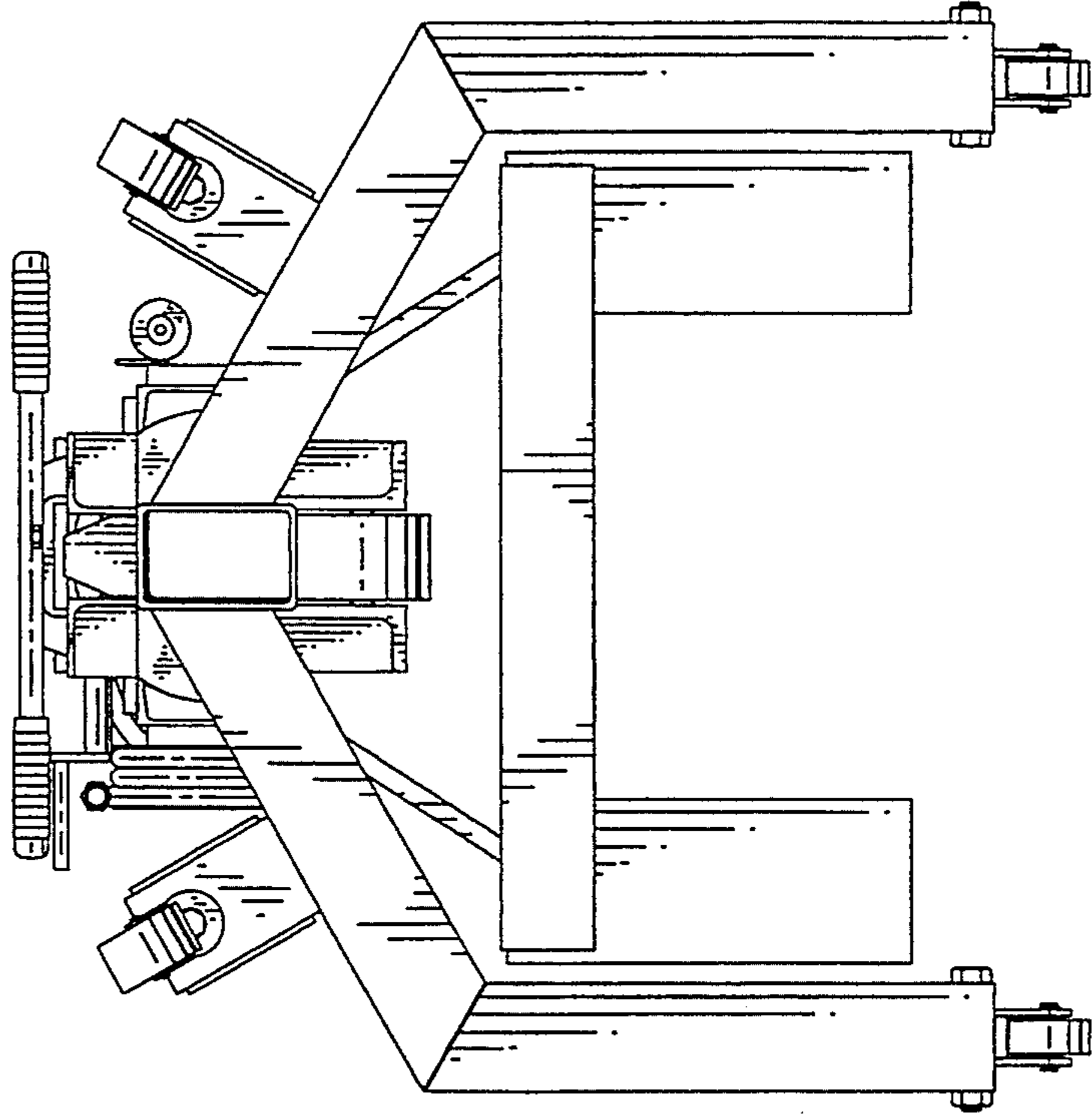
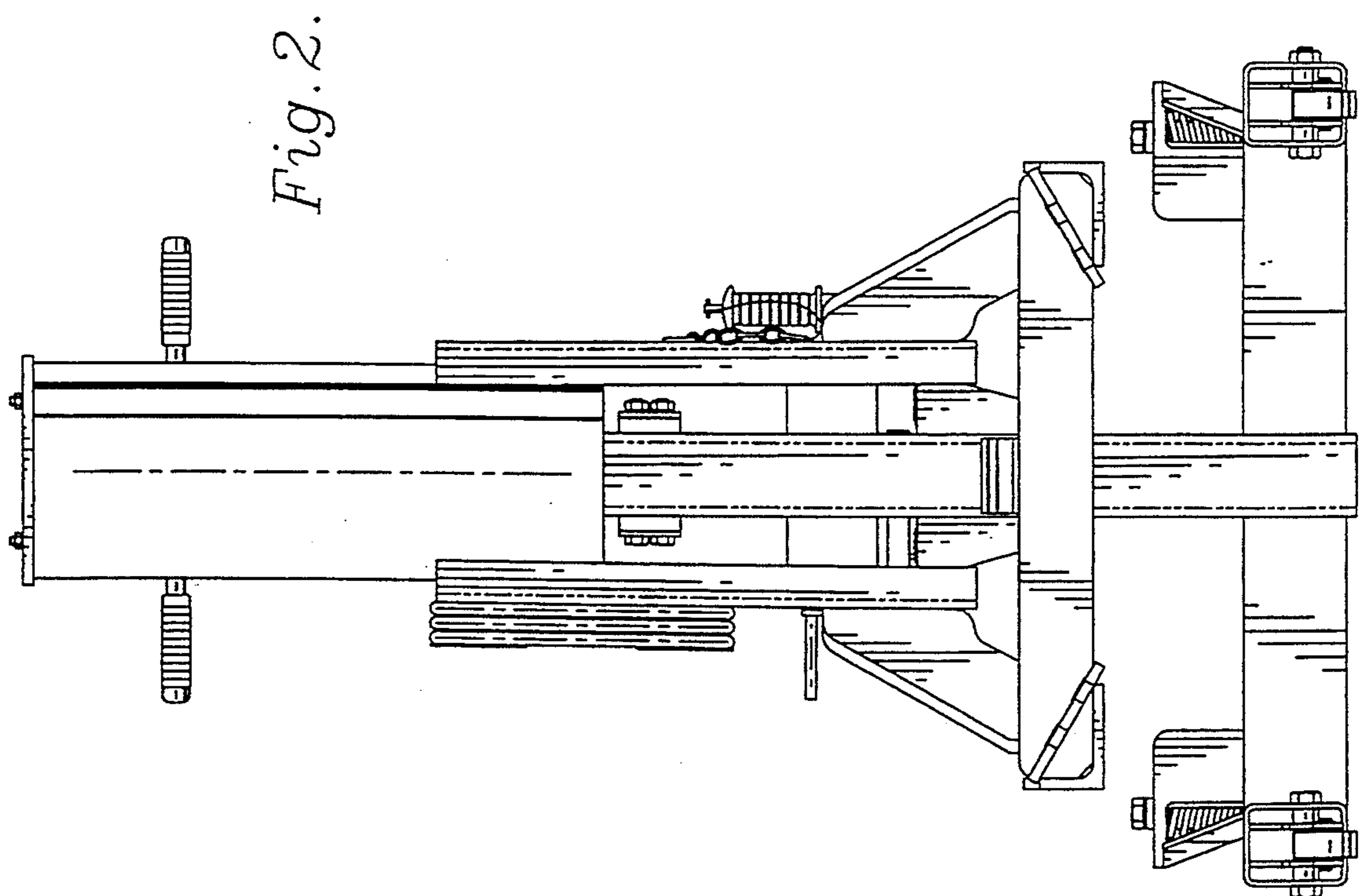
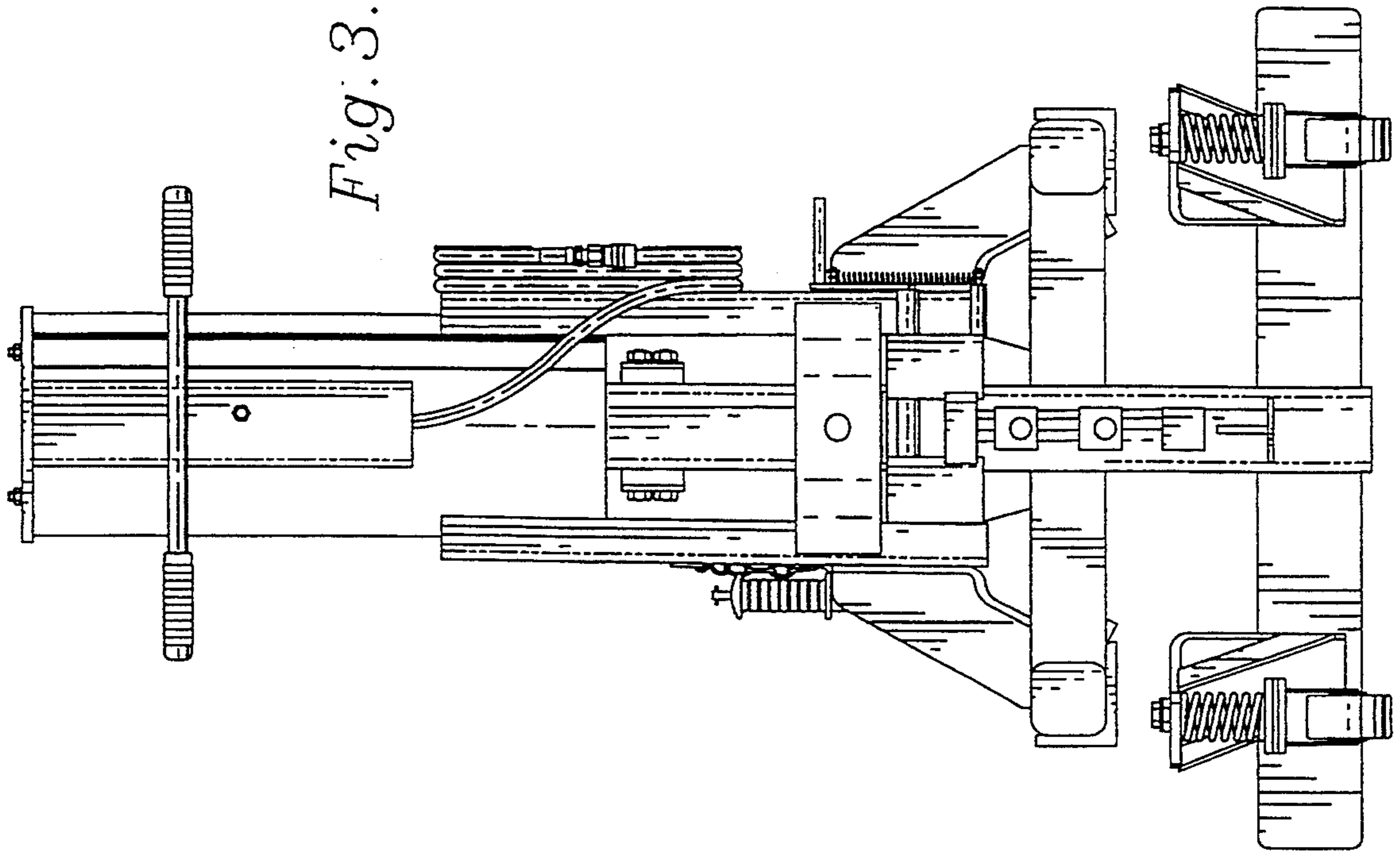


Fig. 1.

Fig. 7.





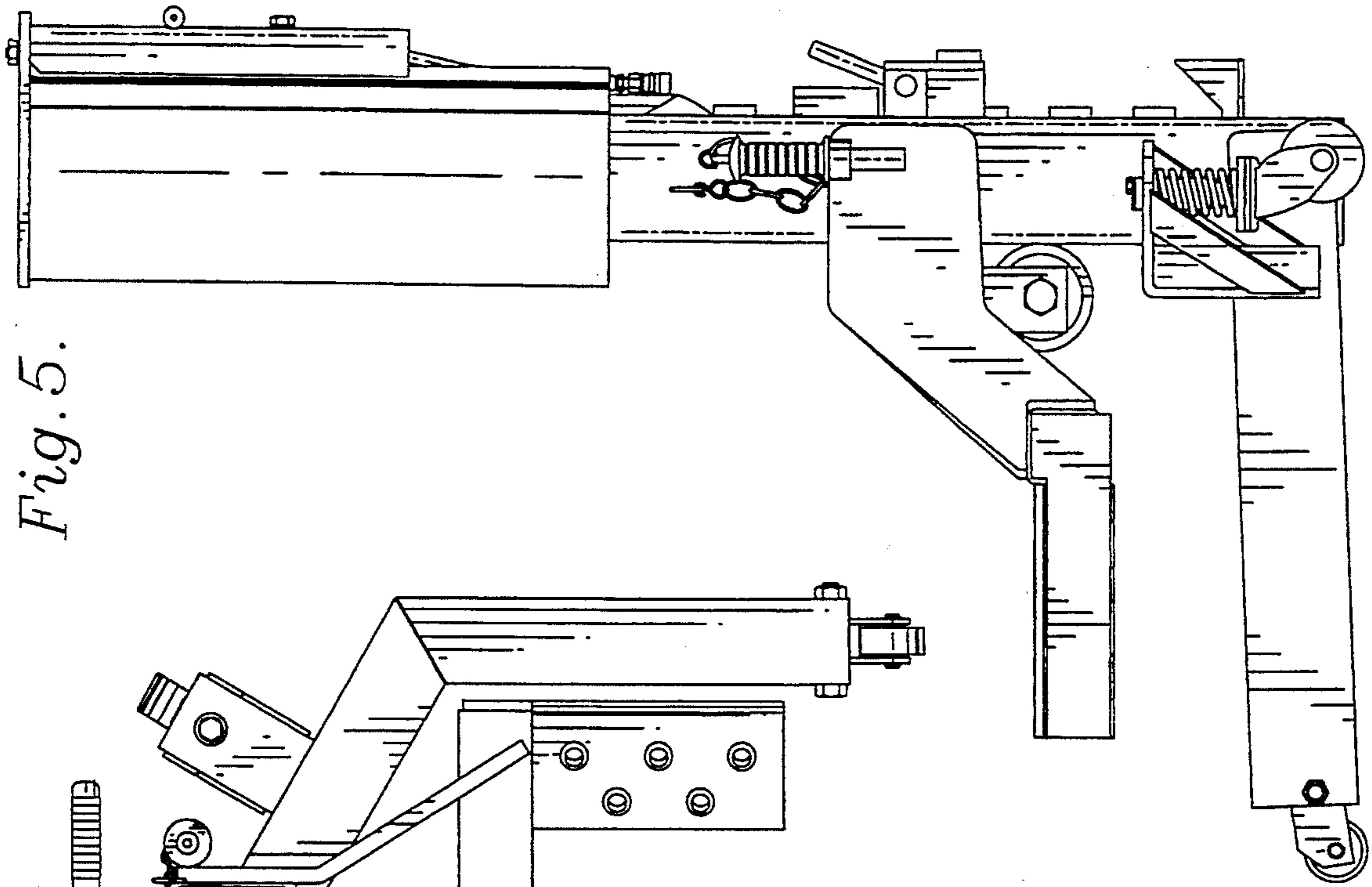


Fig. 5.

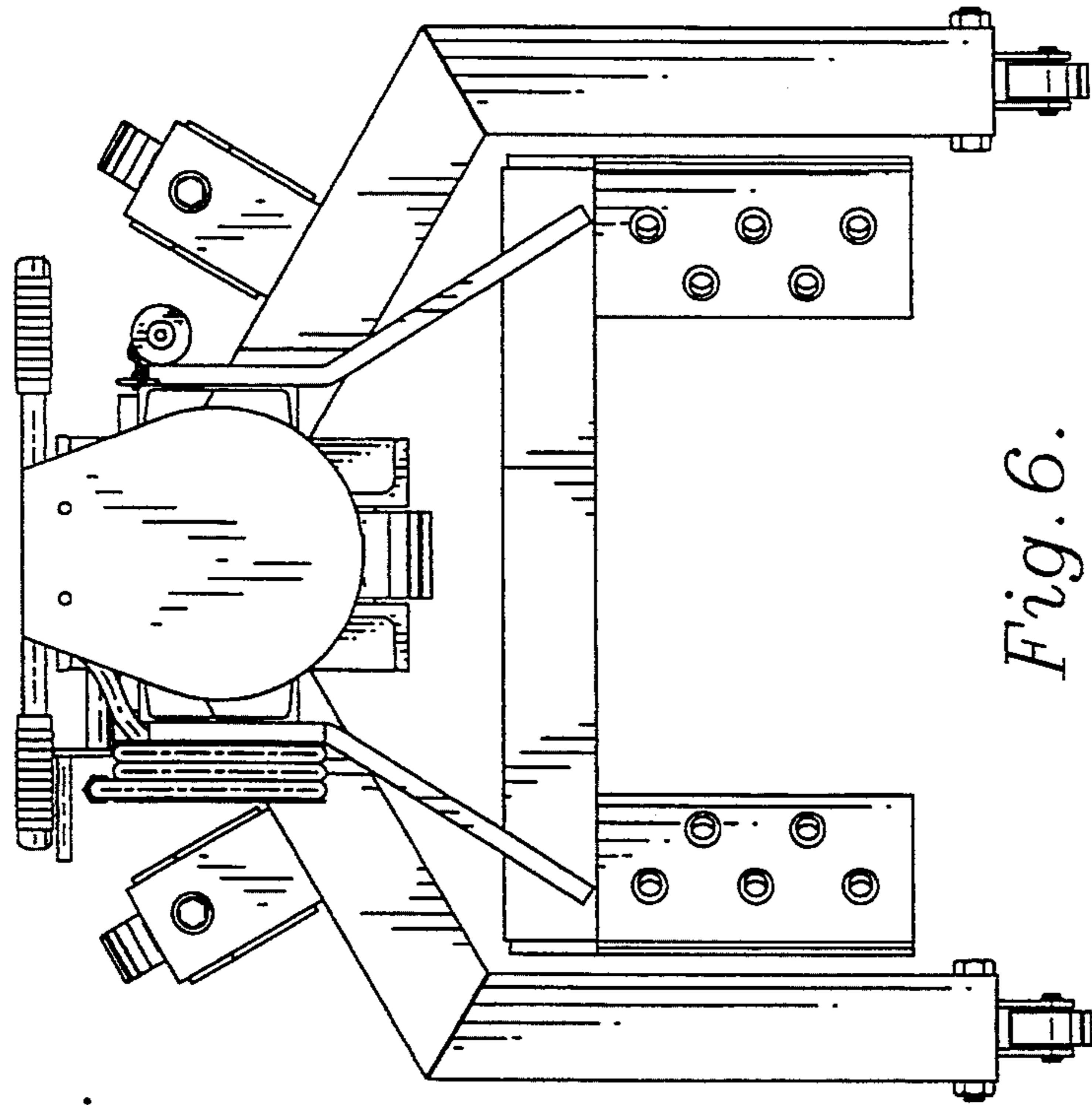


Fig. 6.

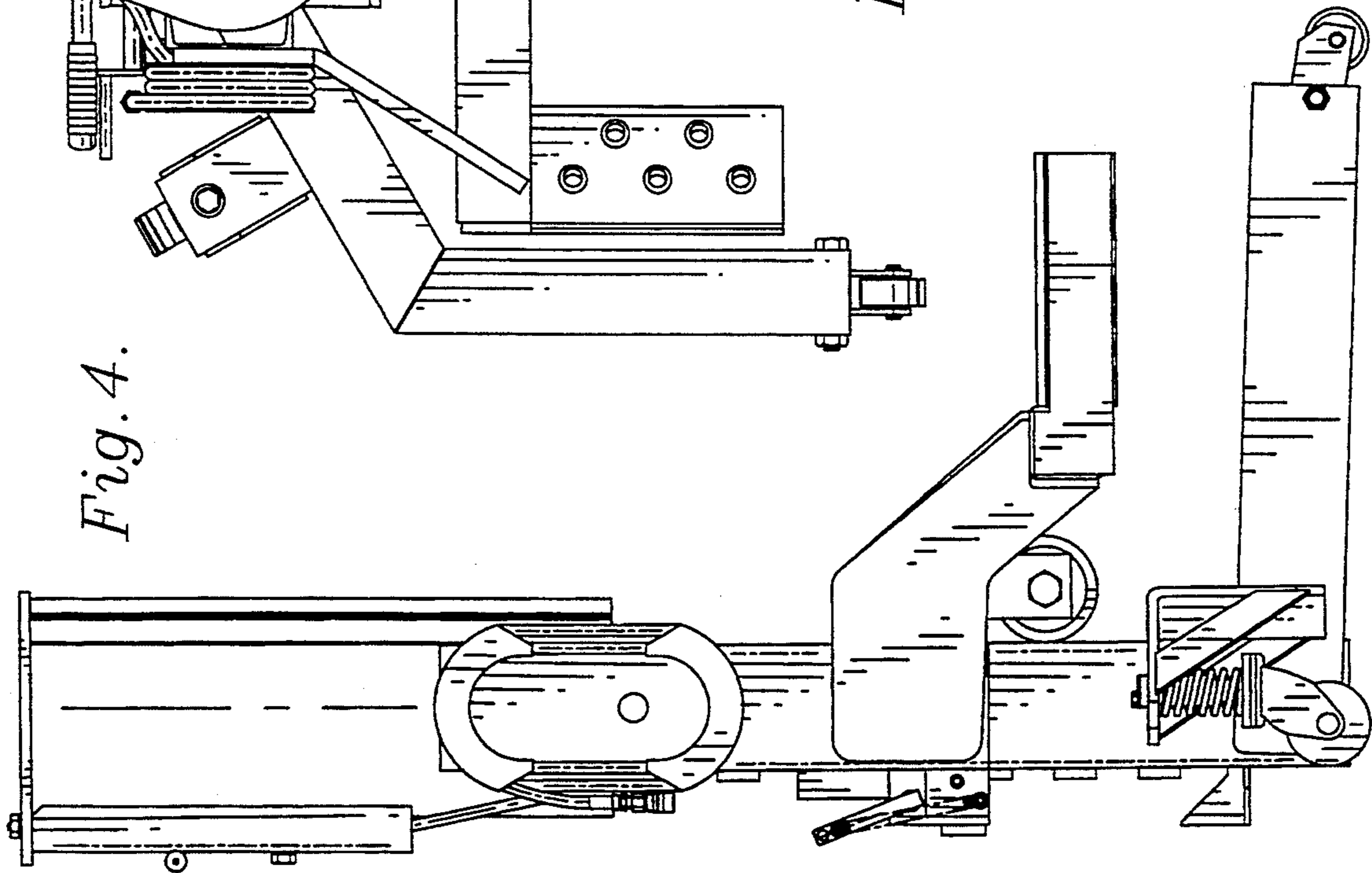


Fig. 4.