



US00D357103S

United States Patent [19]

[11] Patent Number: **Des. 357,103**

Teifel

[45] Date of Patent: **** Apr. 4, 1995**

[54] **TOY BOX ON WHEELS WITH POCKETS**

[56] **References Cited**

[75] Inventor: **Linda P. Teifel, Sebastopol, Calif.**

U.S. PATENT DOCUMENTS

D. 285,322 8/1986 Appel D34/16

[73] Assignee: **Linda Teifel, Sebastopol, Calif.**

Primary Examiner—Kay H. Chin

[**] Term: **14 Years**

[57] **CLAIM**

The ornamental design for a toy box on wheels with pockets, as shown and described.

[21] Appl. No.: **14,387**

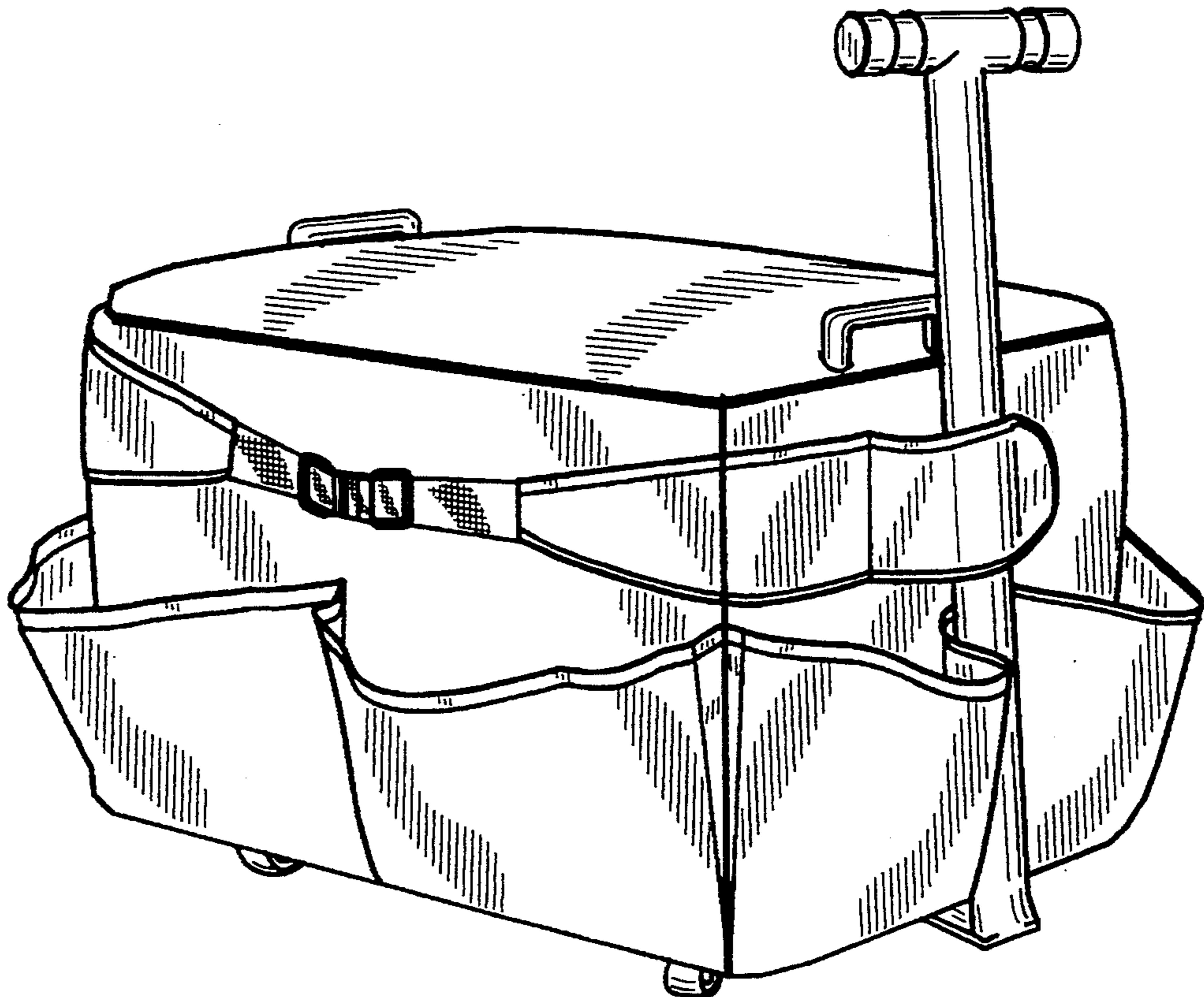
DESCRIPTION

[22] Filed: **Oct. 20, 1993**

FIG. 1 is a front perspective view view;
FIG. 2 is a front perspective view with lid off view;
FIG. 3 is a rear perspective view;
FIG. 4 is a rear perspective view with lid off;
FIG. 5 is a bottom perspective view;
FIG. 6 is an inside lid perspective view; and,
FIG. 7 is a side lid perspective view.

[52] U.S. Cl. **D34/19; D34/20**

[58] Field of Search **D34/17, 19, 20, 21;
280/47.17; D6/432, 446, 430; D21/76**



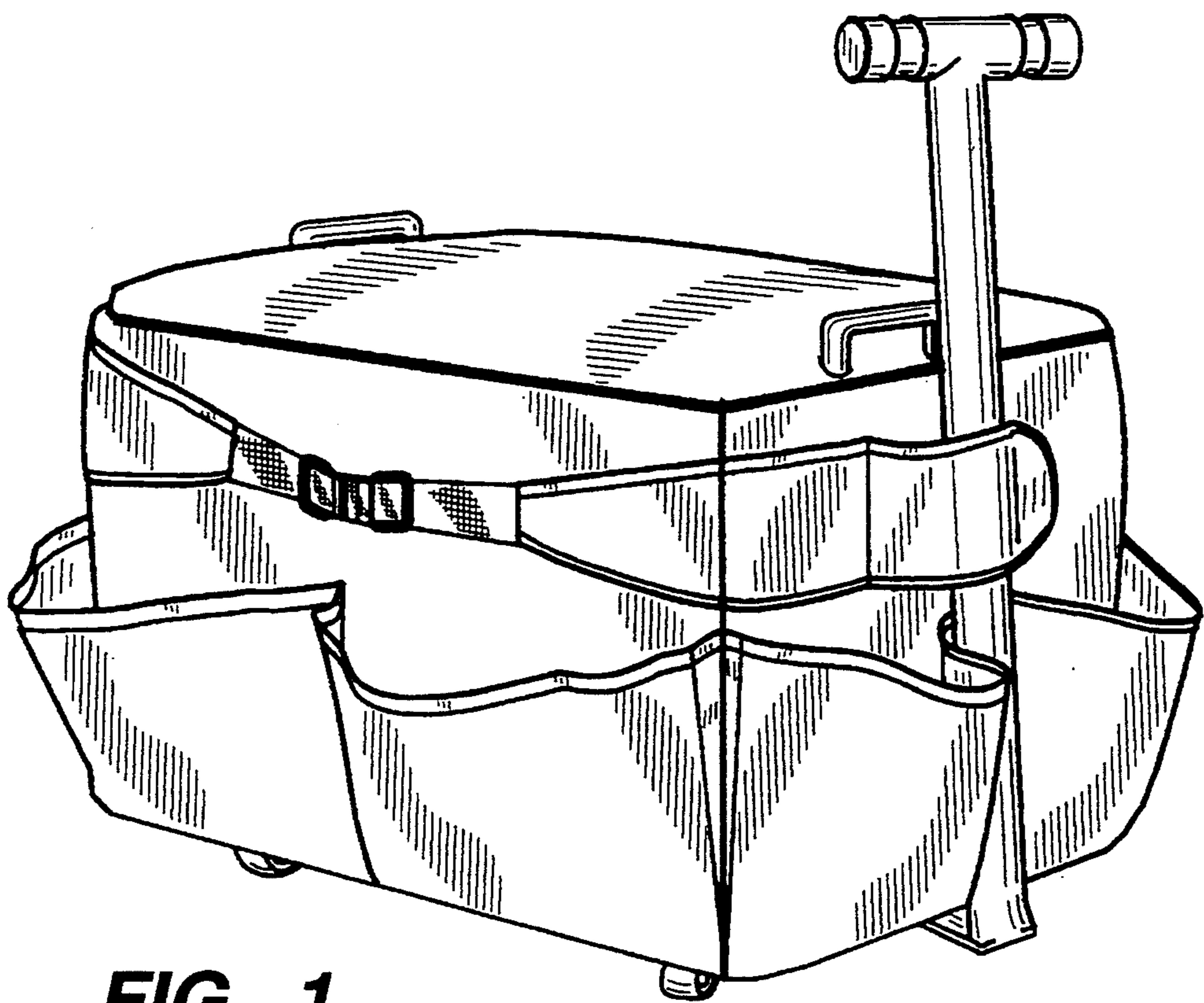


FIG. 1

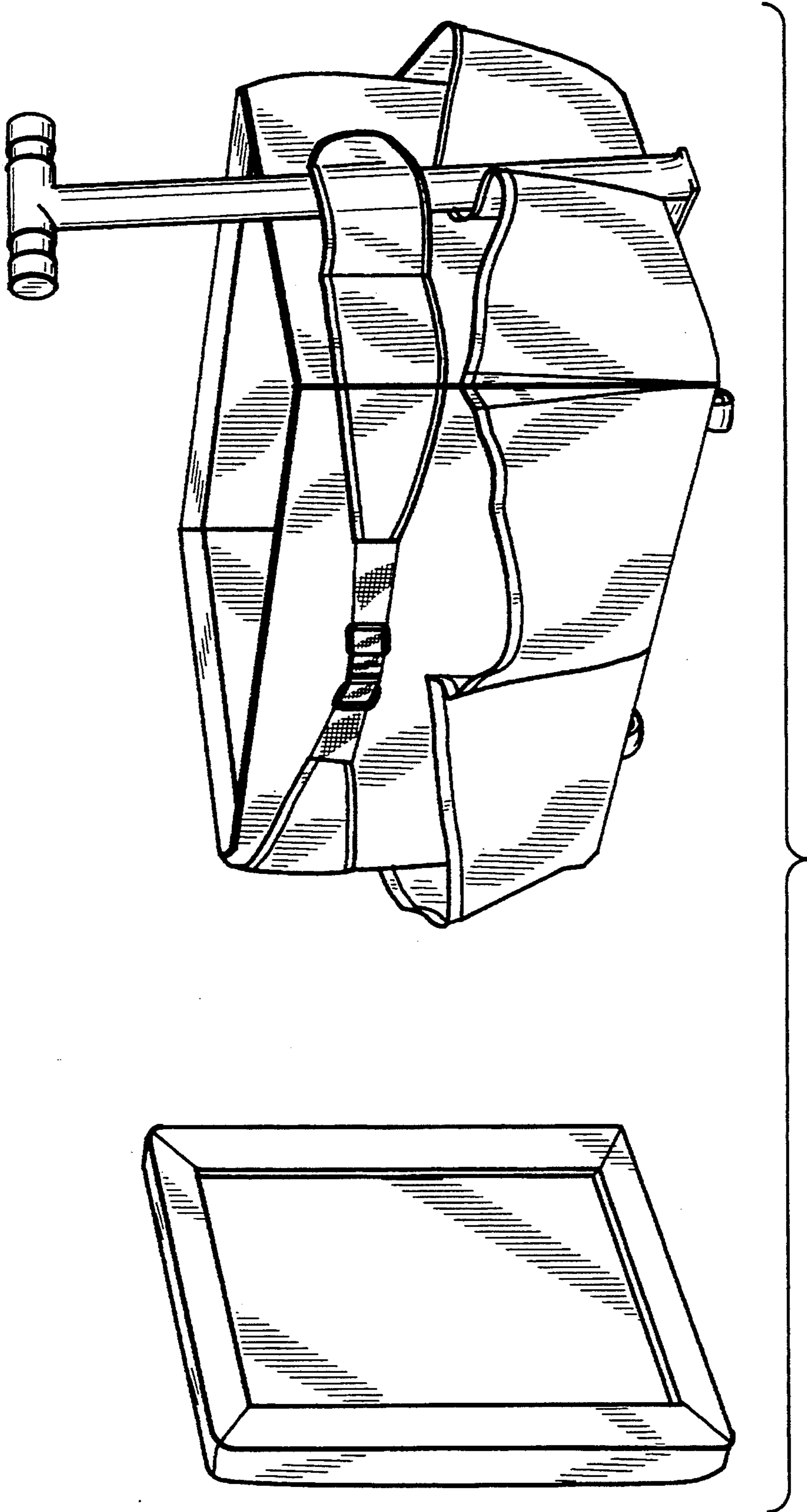


FIG.-2

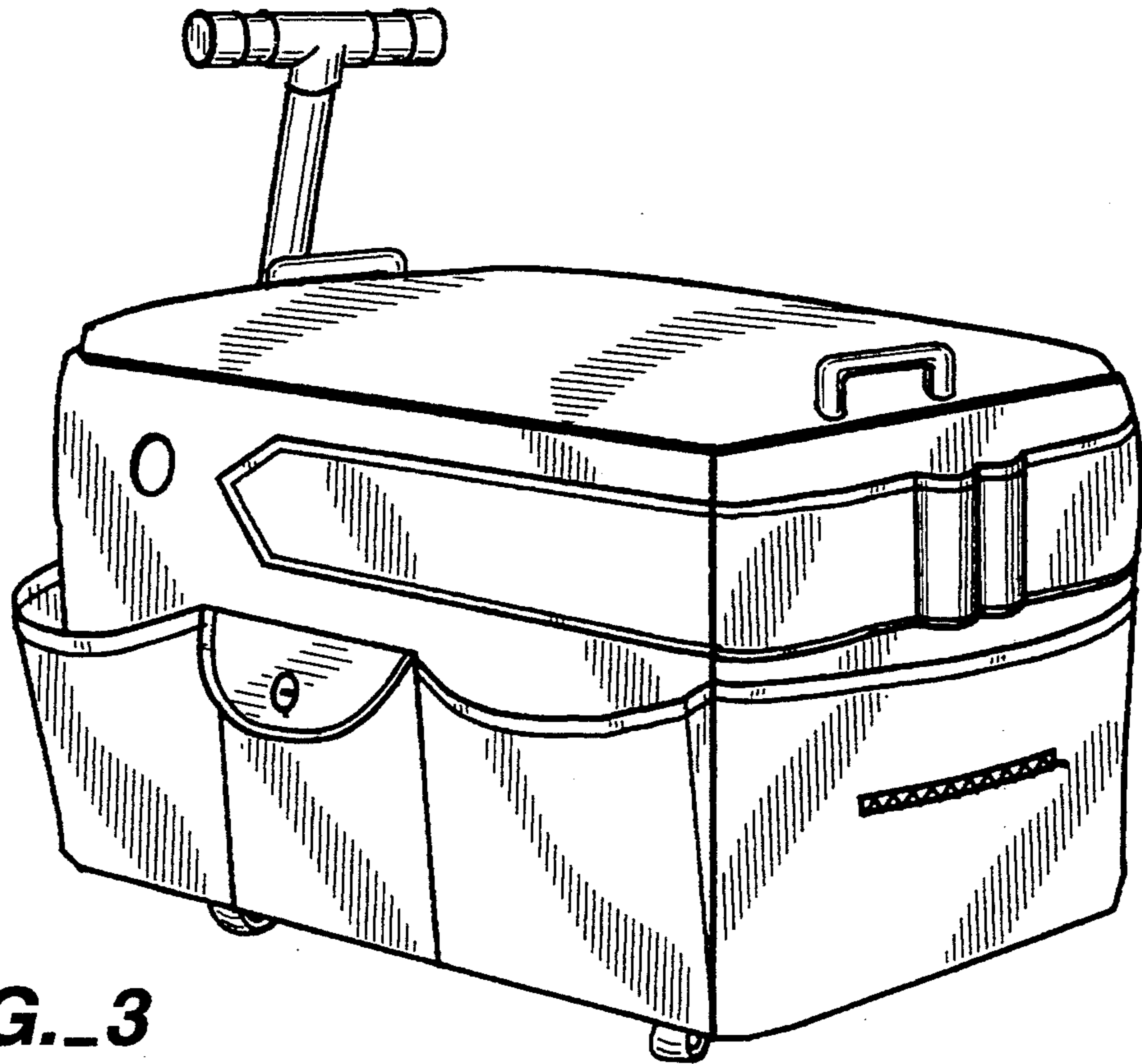


FIG. 3

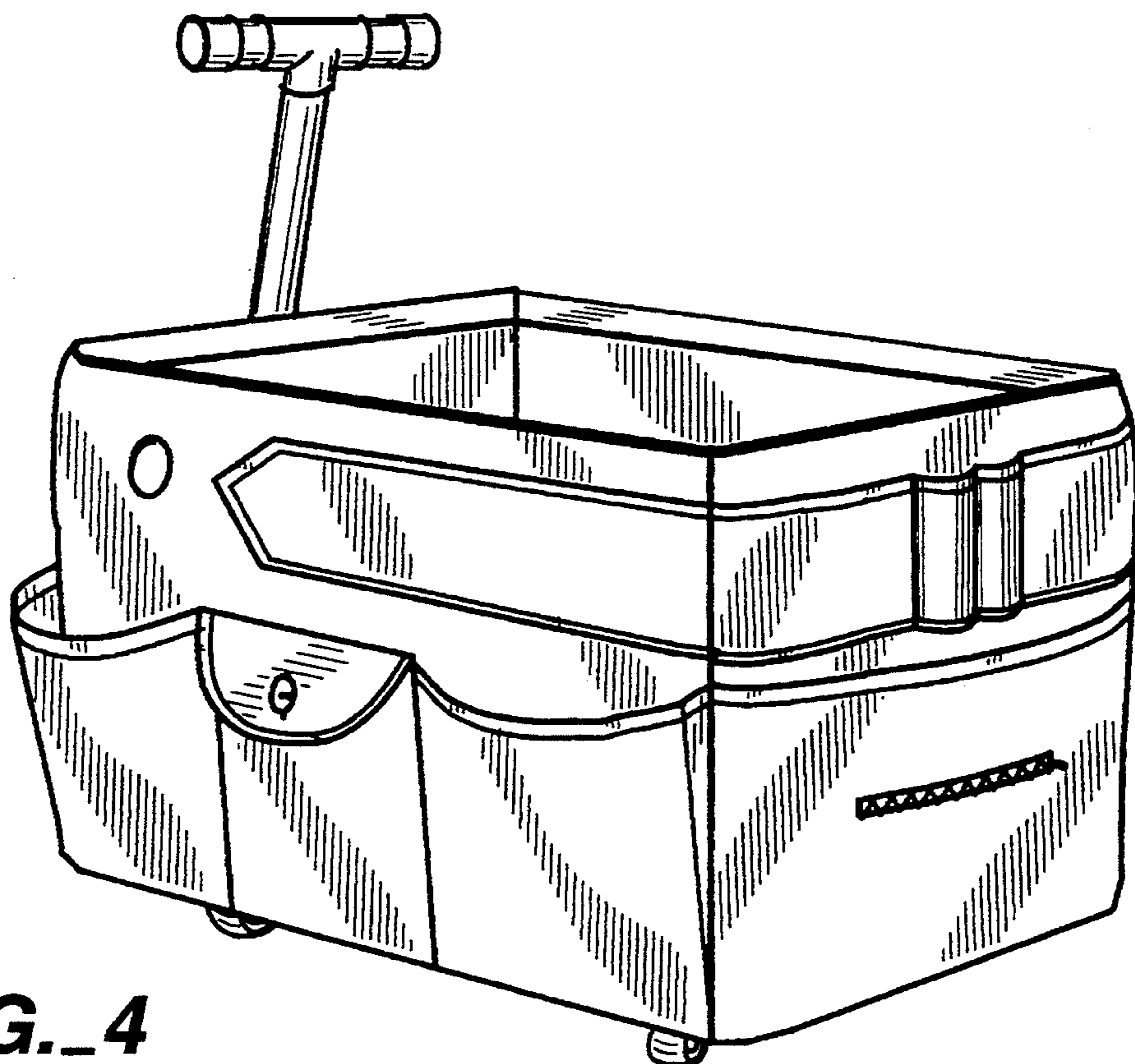


FIG. 4

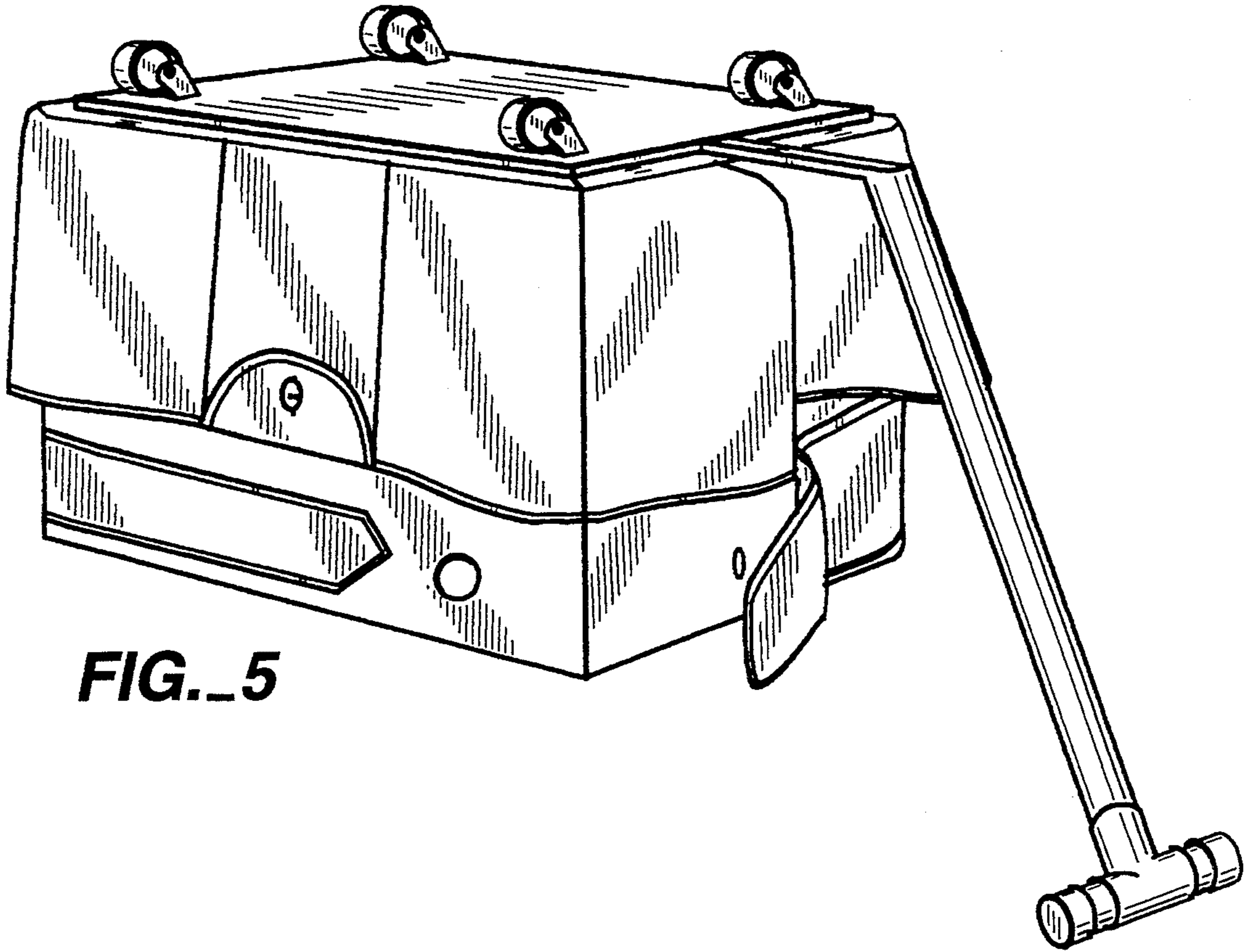


FIG._5

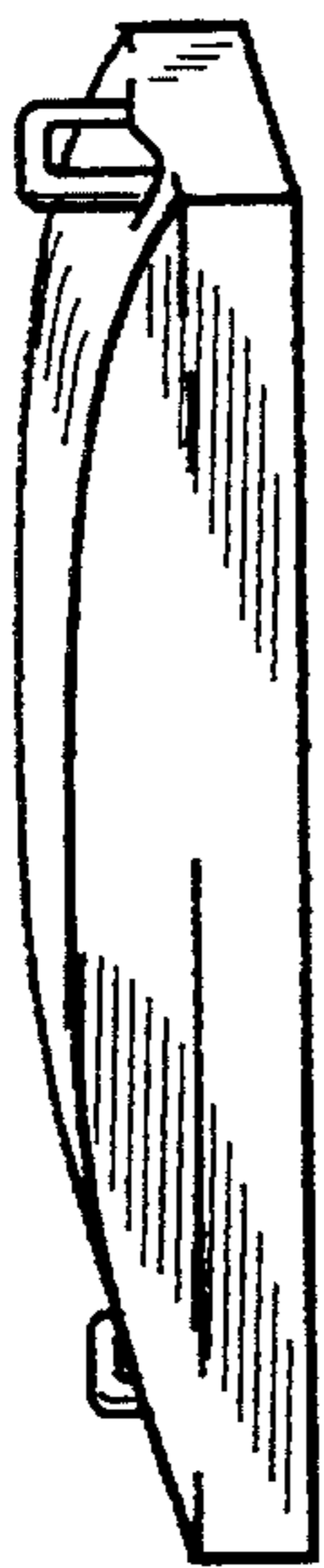


FIG._7

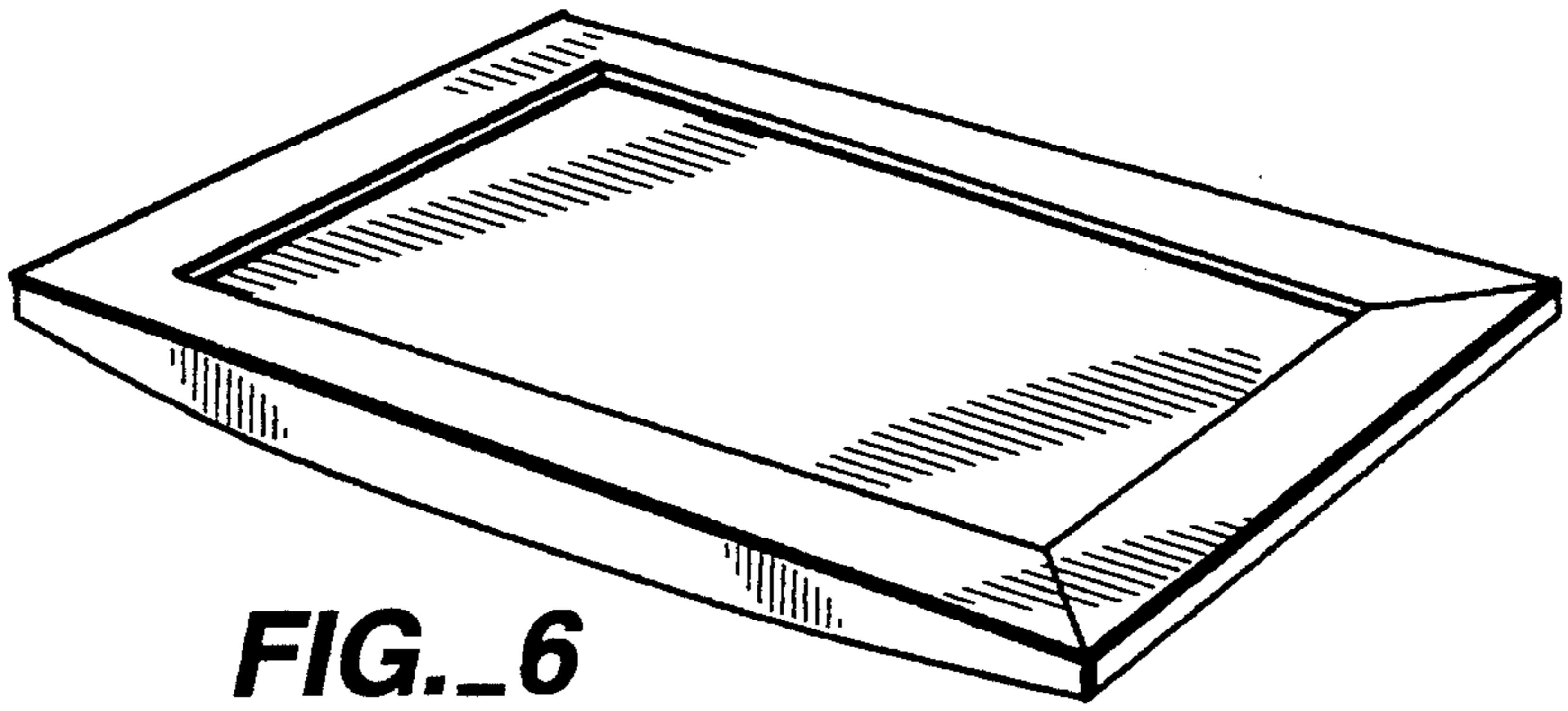


FIG._6