



US00D357102S

United States Patent [19]

[11] Patent Number: Des. 357,102

Tate

[45] Date of Patent: ** Apr. 4, 1995

[54] DOLLY

D. 287,177 12/1986 Spicer D34/21
3,689,098 9/1972 Rubin 280/33.998
4,706,823 11/1987 Visser 280/79.3

[76] Inventor: Anthony Tate, 170 Stoakes Ave., San
Leandro, Calif. 94577

Primary Examiner—Kay H. Chin
Attorney, Agent, or Firm—Bernard Stickney

[**] Term: 14 Years

[57] CLAIM

[21] Appl. No.: 20,006

The ornamental design for a dolly, as shown and de-
scribed.

[22] Filed: Mar. 16, 1994

[52] U.S. Cl. D34/17; D34/23

DESCRIPTION

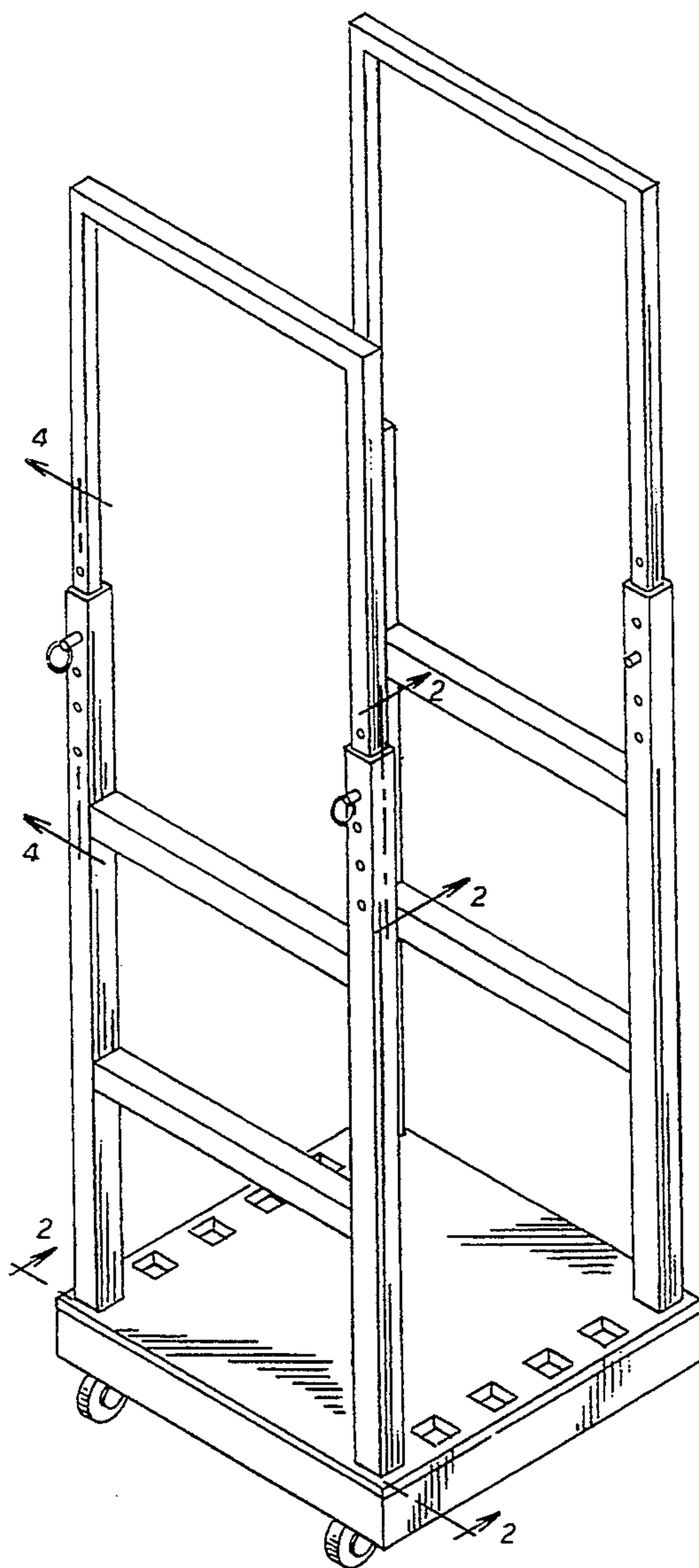
[58] Field of Search D34/12, 17, 19, 21;
280/79.3, 33.998, 79.11; 211/133, 153, 150

FIG. 1—front perspective view;
FIG. 2—partial front cross sectional view taken along
line 2—2 of FIG. 1;
FIG. 3—explode perspective view; and,
FIG. 4—cross sectional view taken along line 4—4 of
FIG. 1.

[56] References Cited

U.S. PATENT DOCUMENTS

D. 241,324 9/1976 Wright D34/21



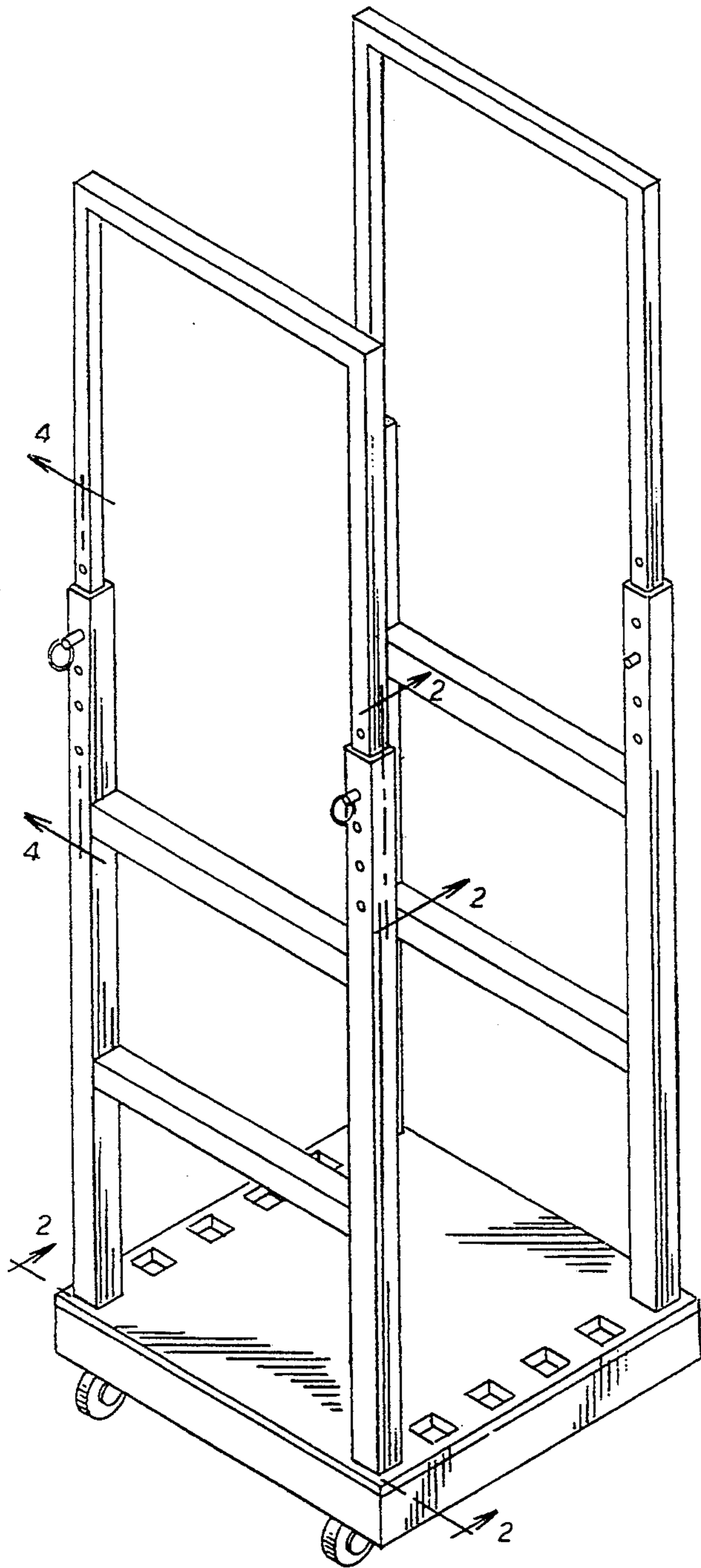
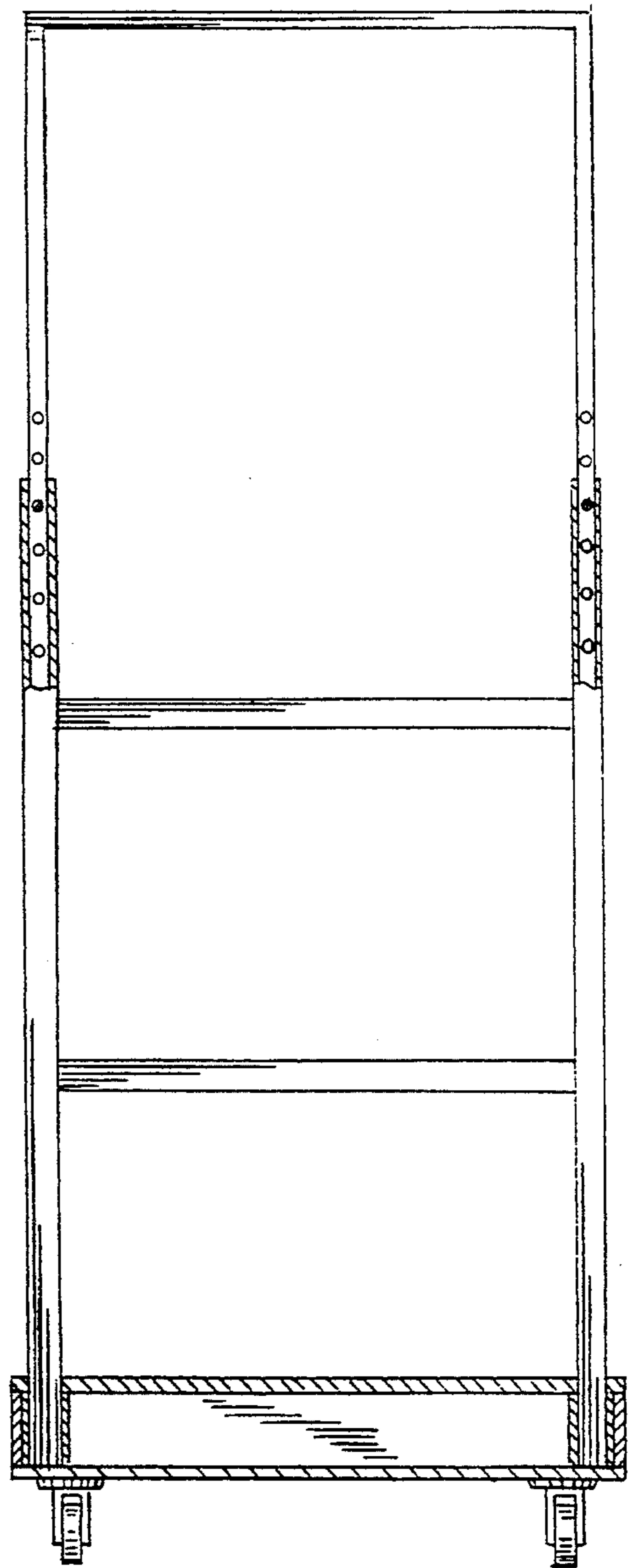


FIG. 1

FIG. 2



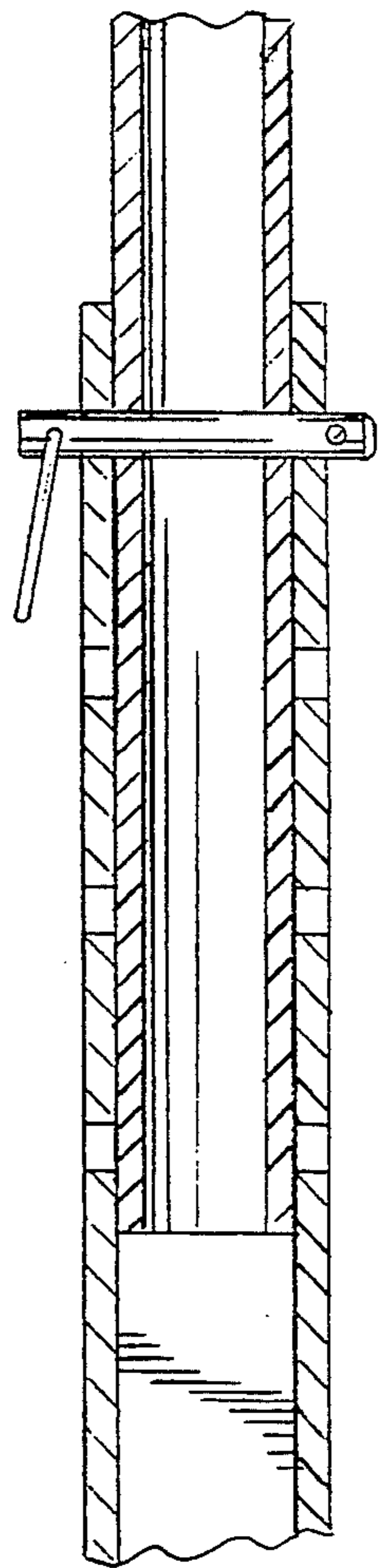
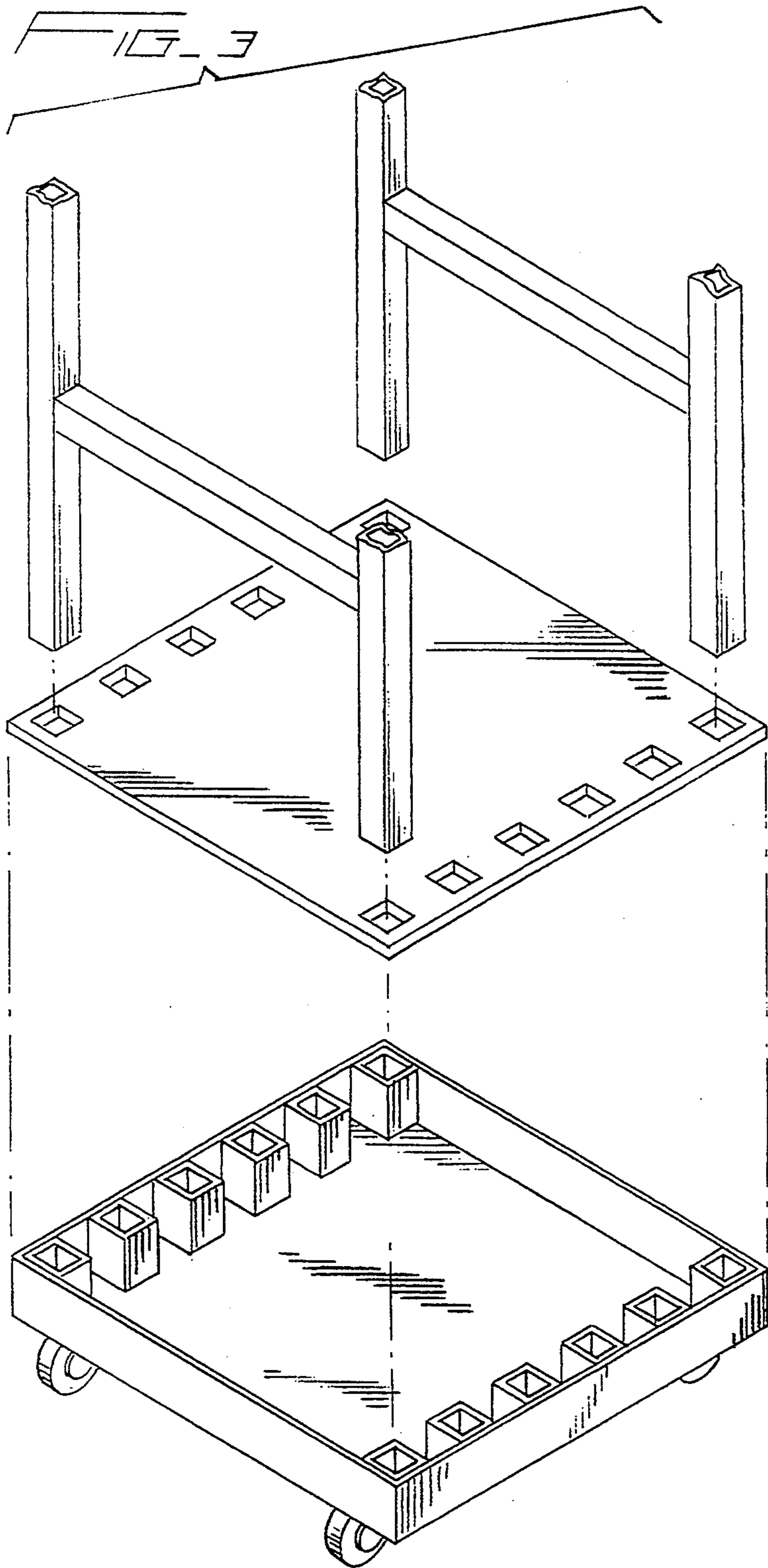


FIG. 4