



US00D357101S

# United States Patent [19]

[11] Patent Number: **Des. 357,101**

Uyehara et al.

[45] Date of Patent: **\*\* Apr. 4, 1995**

[54] **MOTORIZED WHEELBARROW**

[76] Inventors: **Edward M. Uyehara**, 218 N. Quebec St., San Mateo, Calif. 94401;  
**Primitivo A. Geneza, Jr.**, 1396 Xavier Ave., Hayward, Calif. 94545

3,791,470 2/1974 Baddore et al. .... 180/19.1  
 4,429,758 2/1984 Meshulam ..... 180/19.1  
 4,589,508 5/1986 Hoover et al. .... 180/19.1  
 4,767,128 8/1988 Terhune ..... 280/47.2  
 5,211,254 5/1993 Harris, III; et al. .... D34/16

[\*\*] Term: **14 Years**

*Primary Examiner*—Kay H. Chin

[21] Appl. No.: **17,111**

[57] **CLAIM**

The ornamental design for the motorized wheelbarrow, as shown and described.

[22] Filed: **Jan. 5, 1994**

**DESCRIPTION**

[52] U.S. Cl. .... **D34/16; D34/12**

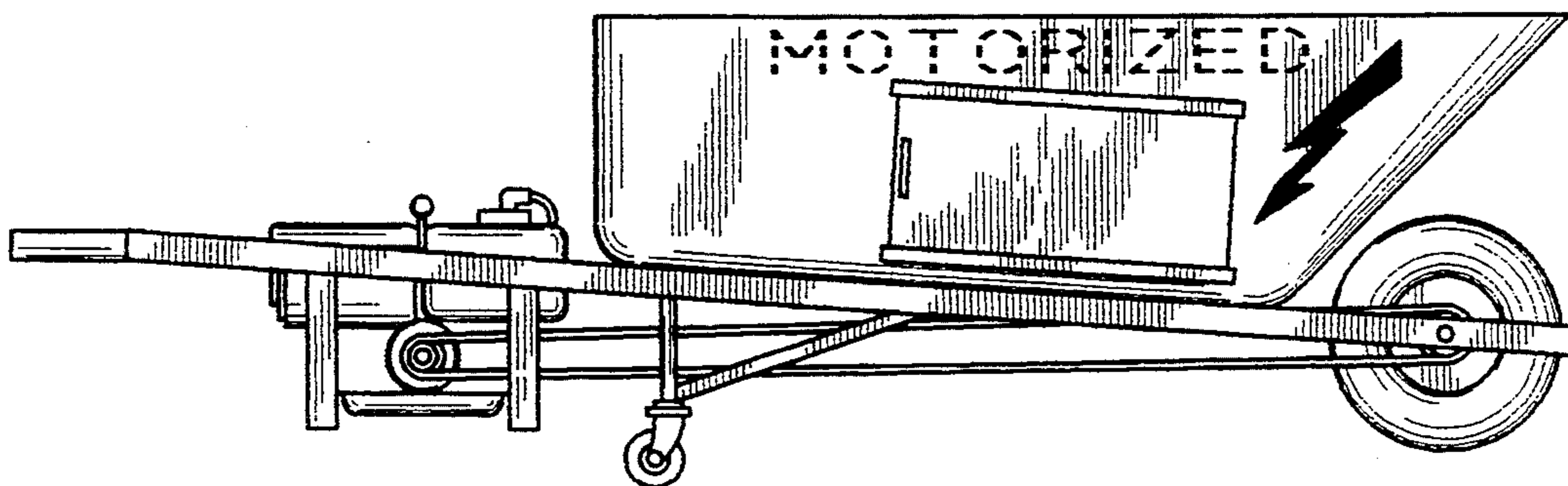
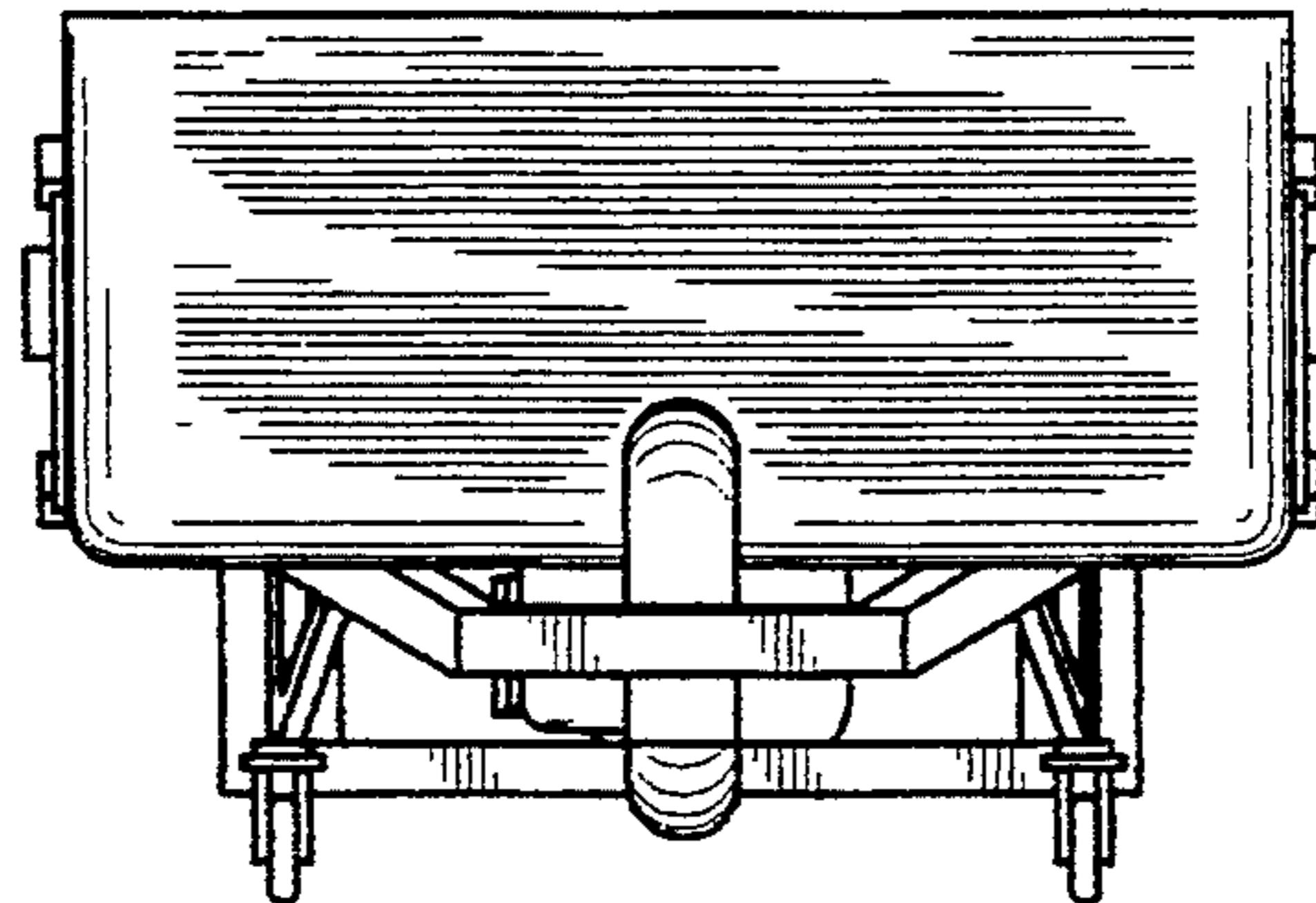
[58] Field of Search ..... **D34/12, 17, 16, 18; 280/47.23, 47.31; 180/19.1**

FIG. 1 is a front elevational view of the motorized wheelbarrow showing my new design;  
 FIG. 2 is a rear elevational view thereof;  
 FIG. 3 is a left side elevational view thereof;  
 FIG. 4 is a right side elevational view thereof;  
 FIG. 5 is a top plan view thereof; and,  
 FIG. 6 is a bottom plan view thereof.

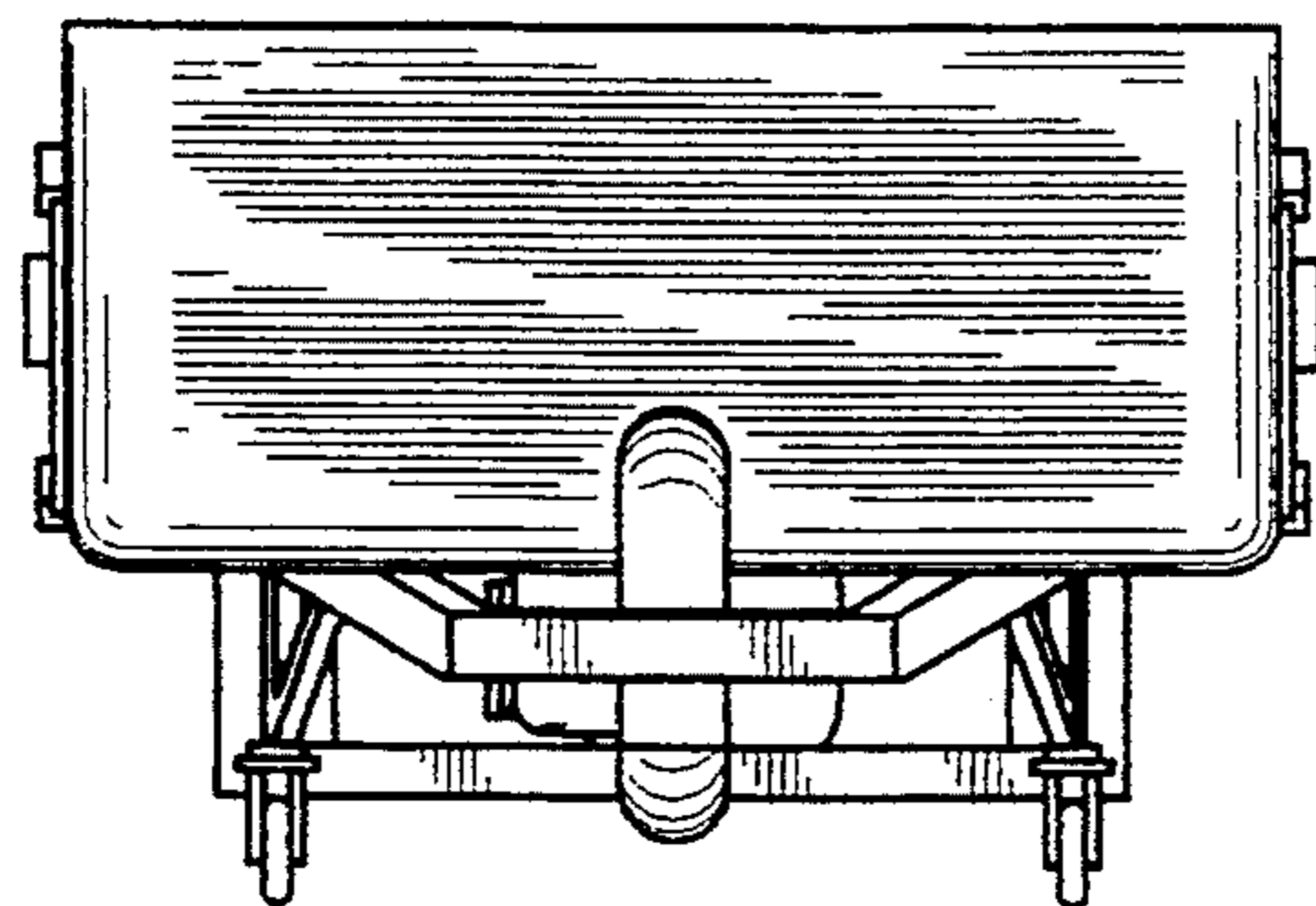
[56] **References Cited**

**U.S. PATENT DOCUMENTS**

3,563,397 2/1971 Bause .



*FIG. 1*



*FIG. 2*

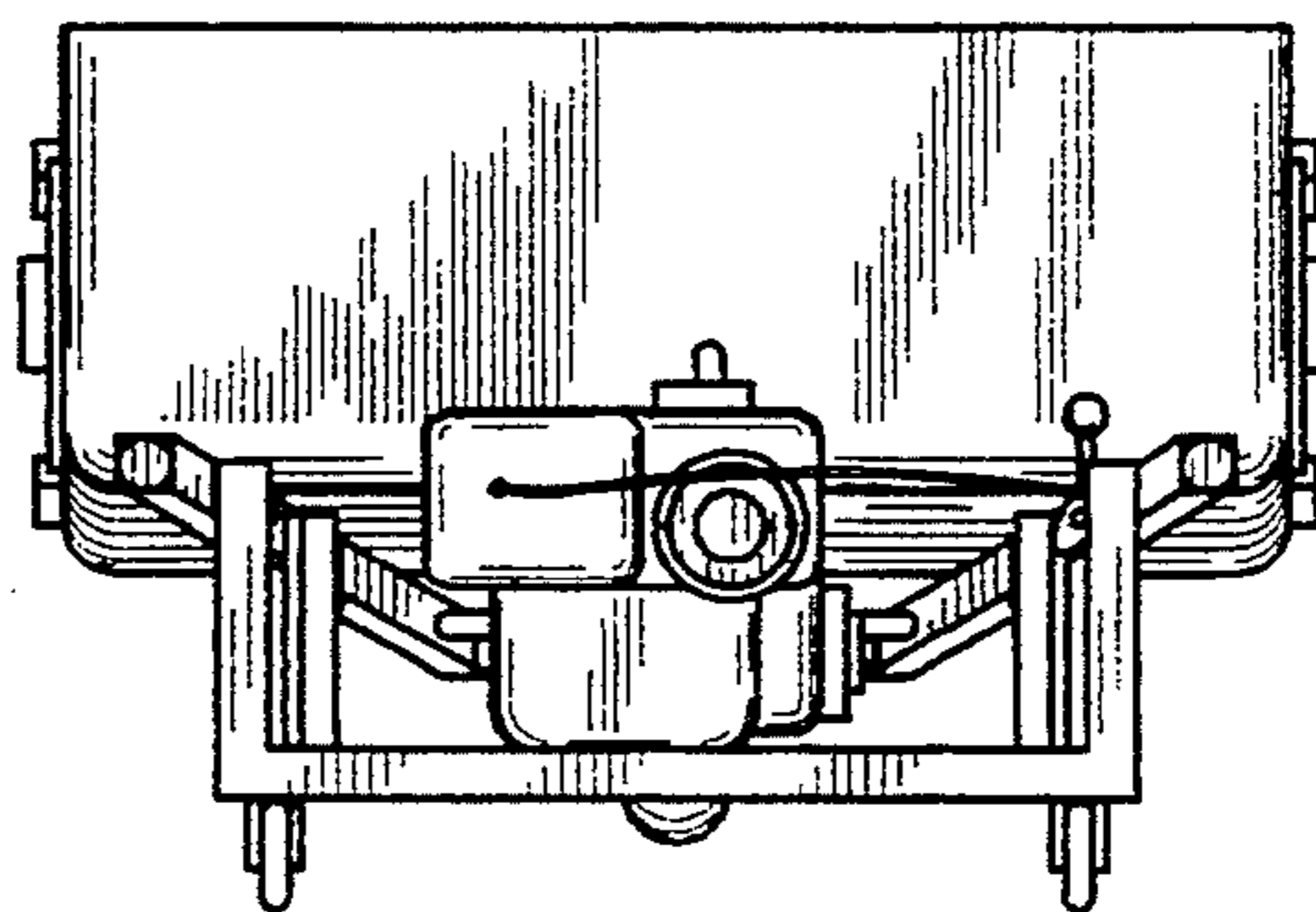


FIG. 3

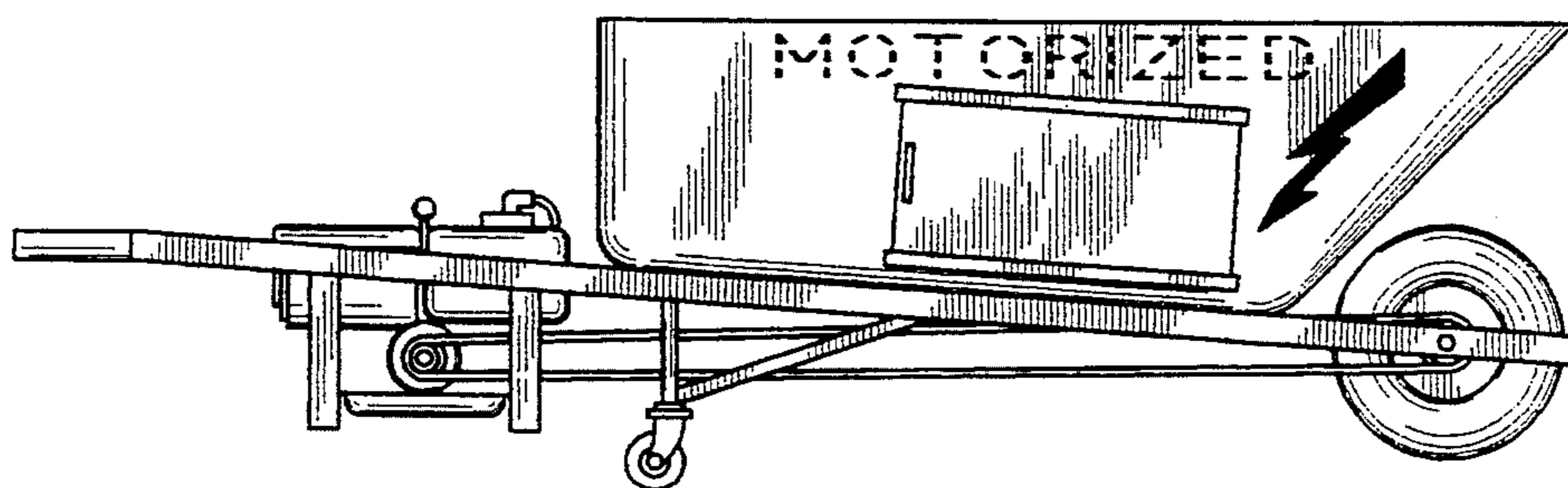


FIG. 4

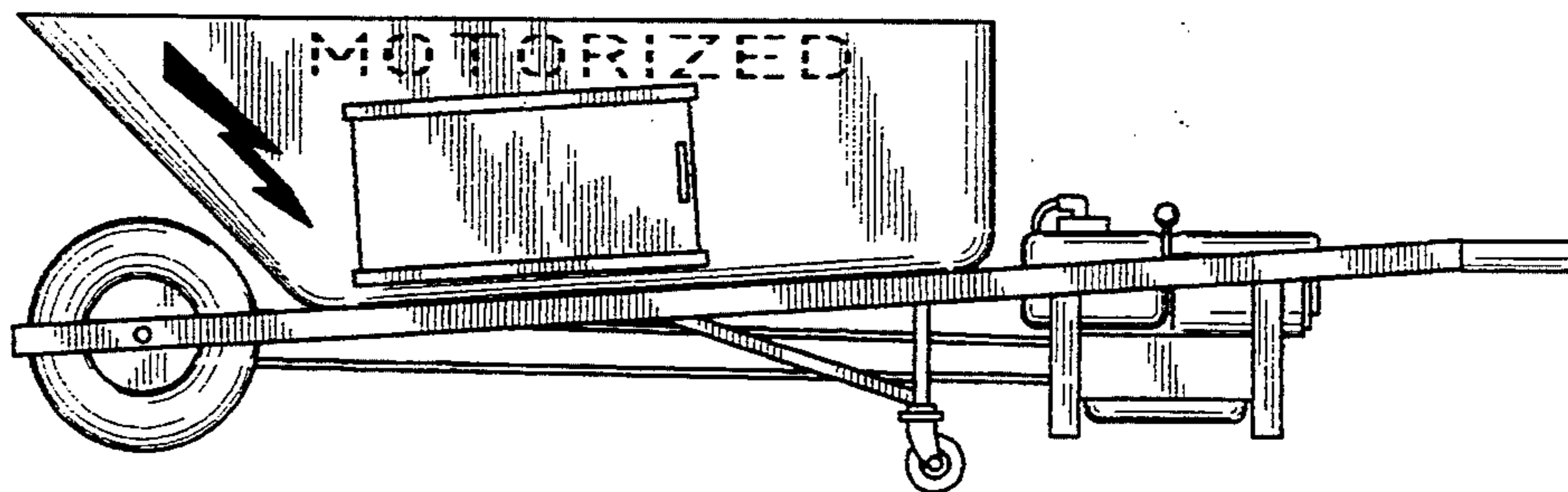


FIG. 5

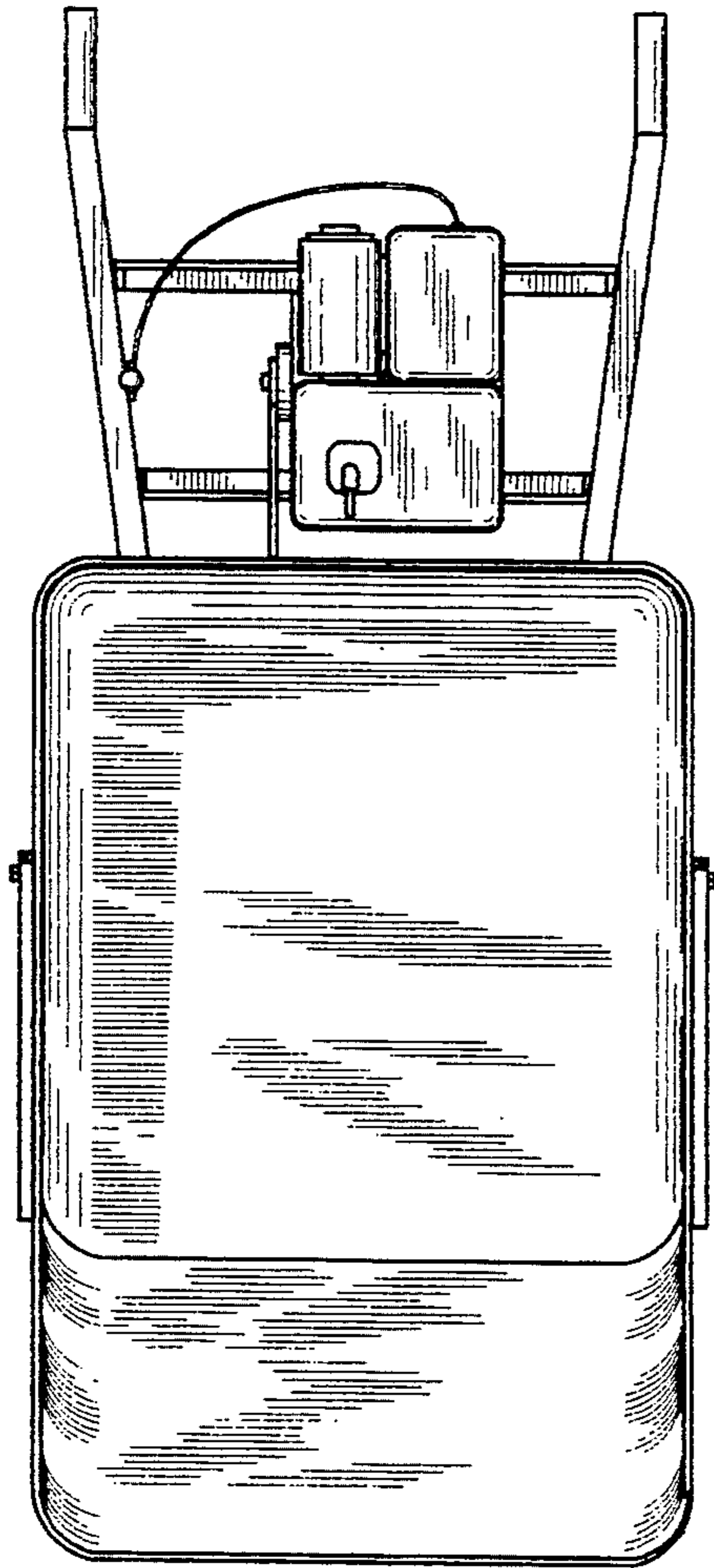


FIG. 6

