



US00D357099S

United States Patent [19]

[11] Patent Number: **Des. 357,099**

Sammons, Jr.

[45] Date of Patent: **** Apr. 4, 1995**

[54] **WHEELBARROW HANDLES**

[76] Inventor: **Donald S. Sammons, Jr.**, 5203 Tudor Ct., Memphis, Tenn. 38125

[**] Term: **14 Years**

[21] Appl. No.: **19,403**

[22] Filed: **Mar. 3, 1994**

[52] U.S. Cl. **D34/27; D8/107**

[58] Field of Search **D34/27, 16; D8/107, D8/1, 10, DIG. 7, 303; 74/551.6, 551.9, 551.3**

[56] **References Cited**

U.S. PATENT DOCUMENTS

D. 318,602	7/1991	Vosbikian	D8/10
2,666,340	1/1954	Hunt	74/551.9
4,038,719	8/1977	Bennett	D8/107
4,114,471	9/1978	White	74/551.6
4,471,996	9/1984	Primeau .	
4,951,956	8/1990	Vittone .	

5,016,315 5/1991 Bledsoe et al. .

5,153,966 10/1992 Godwin .

5,224,396 7/1993 Lobbezoo et al. .

Primary Examiner—Kay H. Chin

[57] **CLAIM**

The ornamental design for the wheelbarrow handles, as shown and described.

DESCRIPTION

FIG. 1 is a front elevational reduced view of the wheelbarrow handles showing my new design, the broken line showing of the wheelbarrow being for illustrative purposes only and forming no part of the claimed design;

FIG. 2 is a rear elevational view thereof;

FIG. 3 is a left side elevational view thereof;

FIG. 4 is a right side elevational view thereof;

FIG. 5 is a top plan view thereof; and,

FIG. 6 is a bottom plan view thereof.

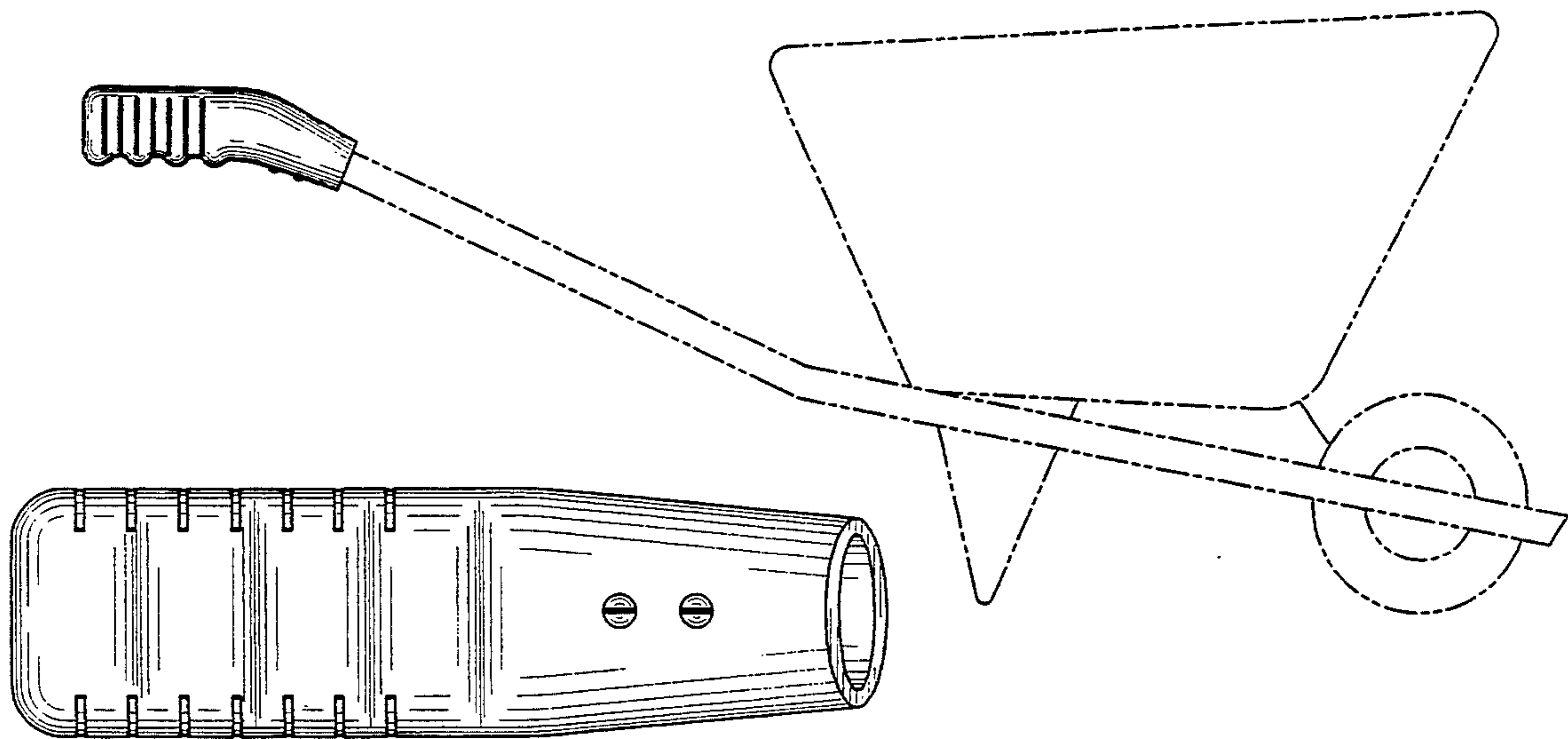


FIG. 1

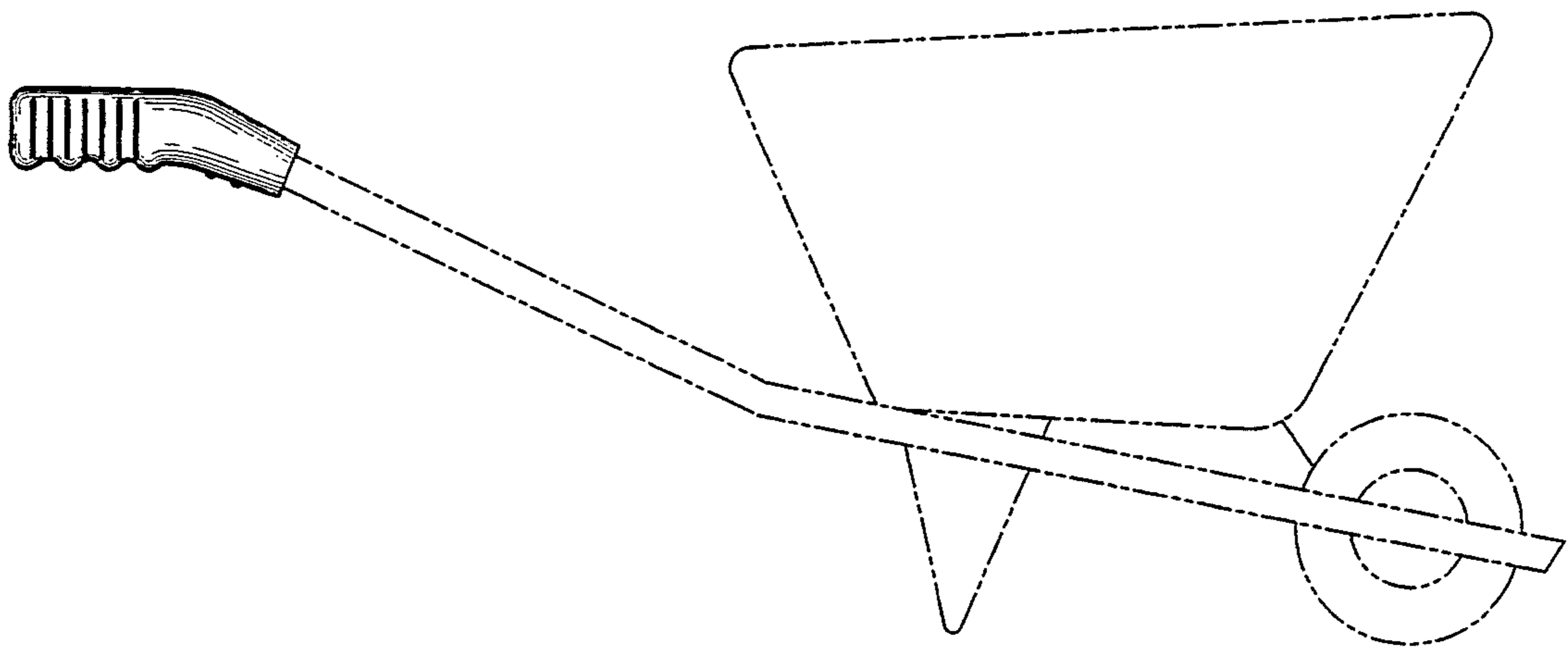


FIG. 2

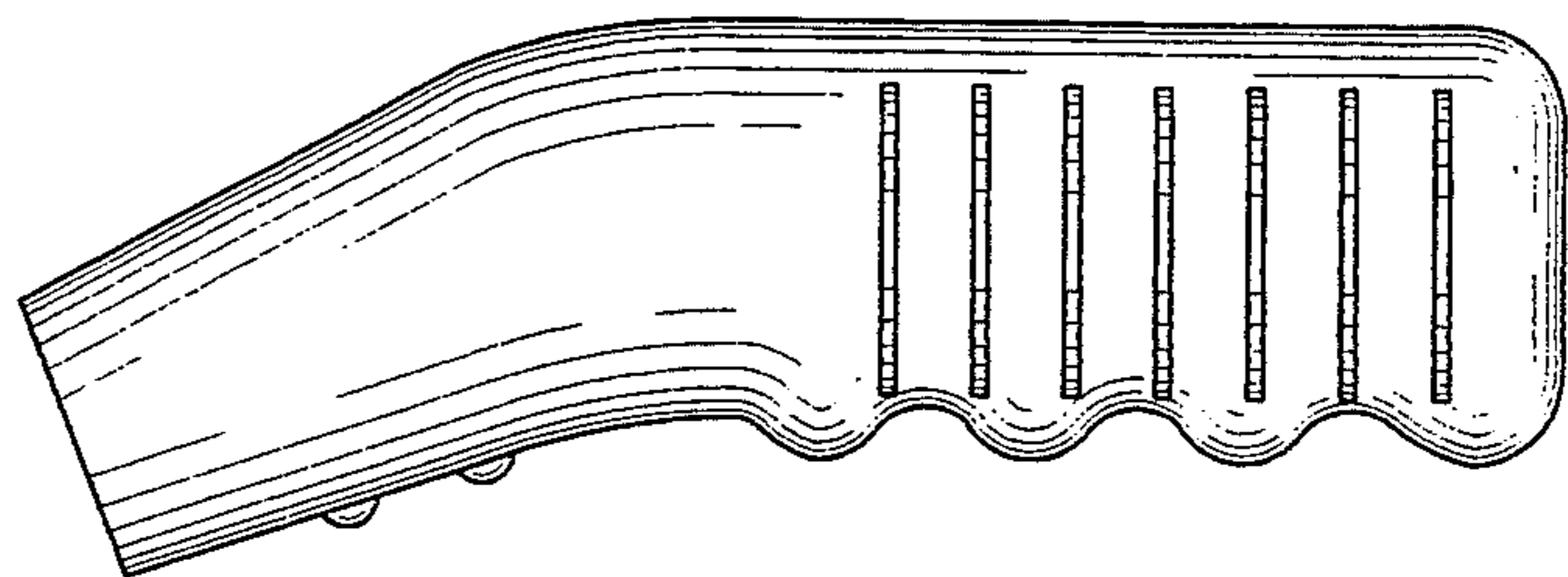


FIG. 3

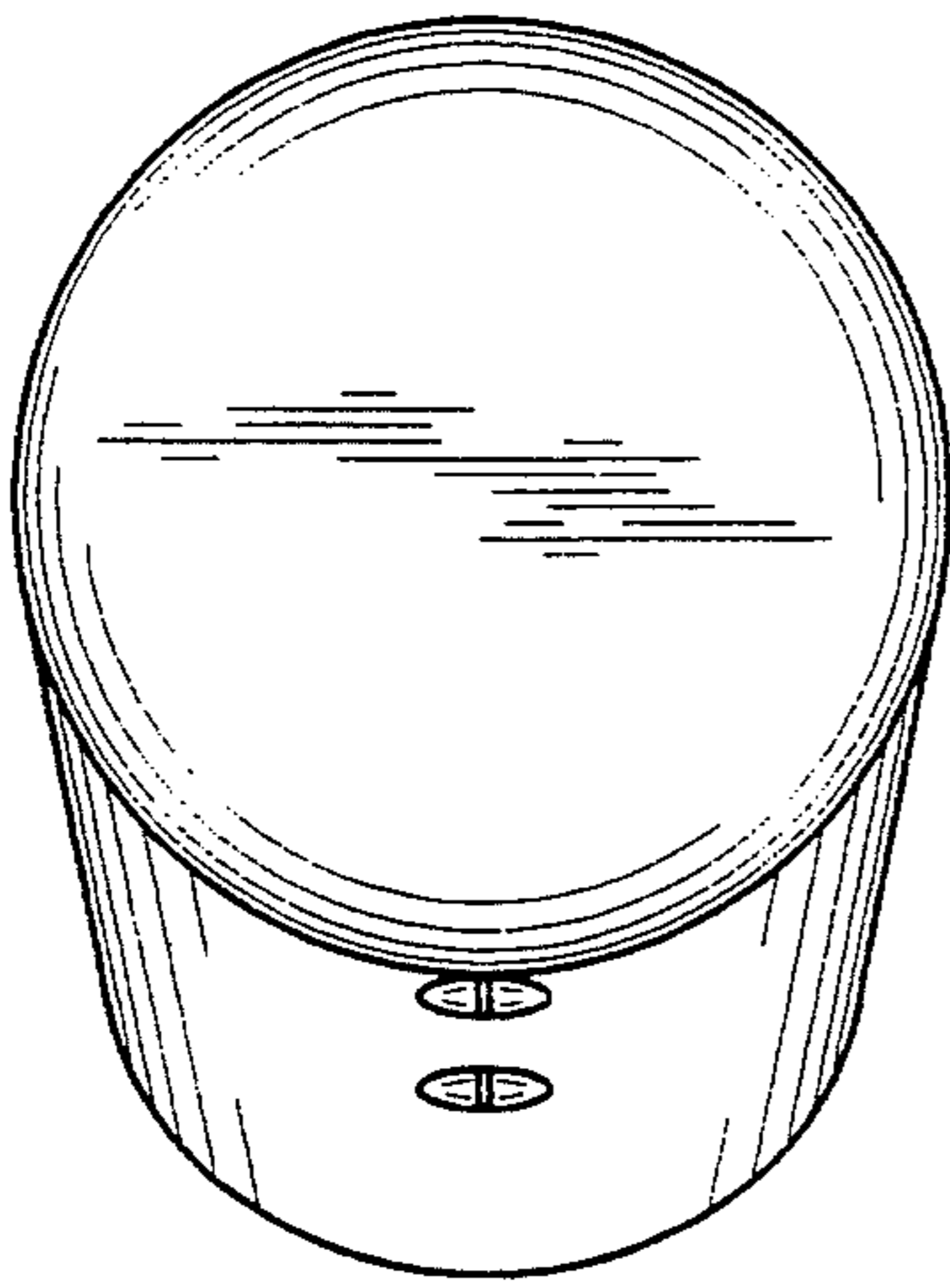


FIG. 4

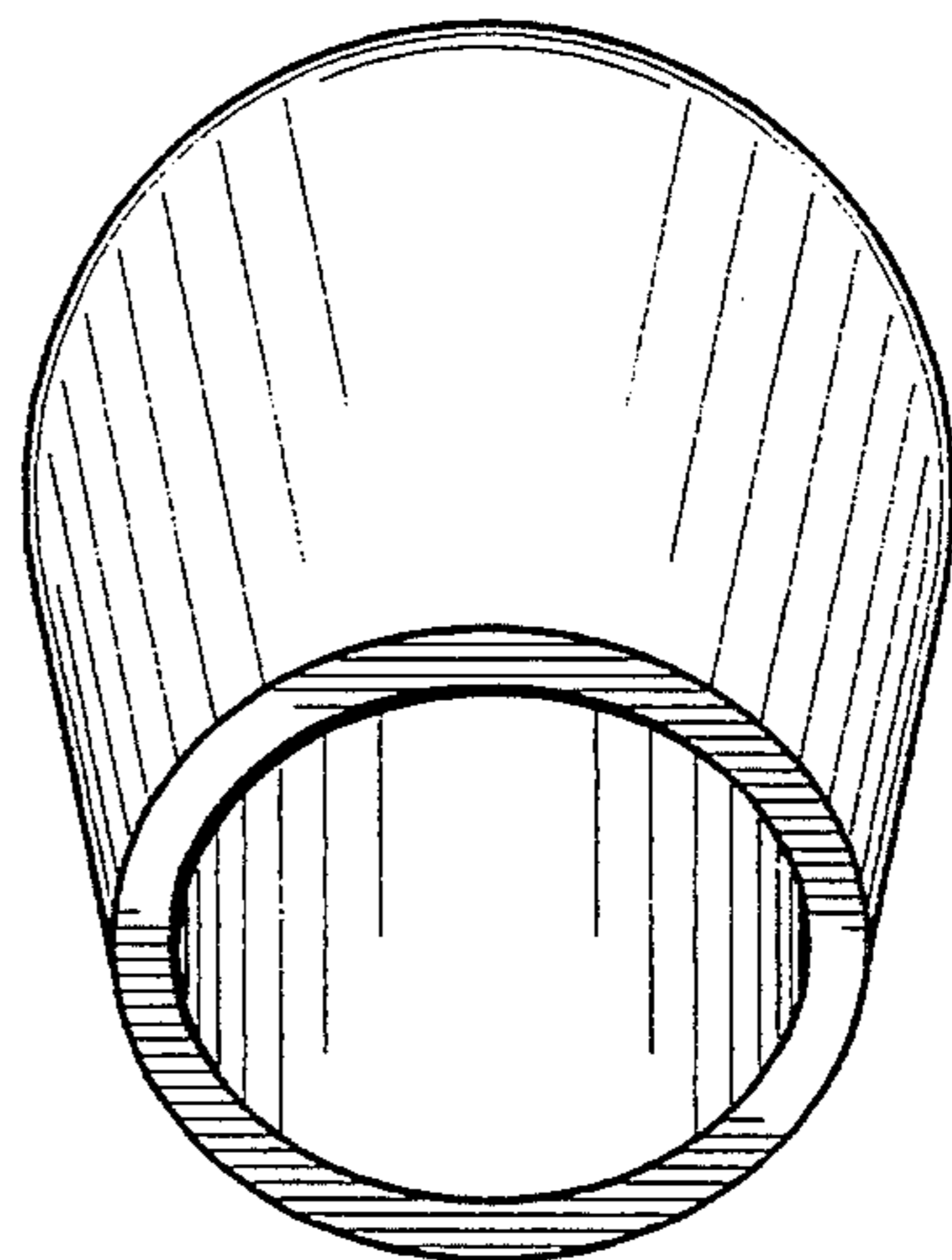


FIG. 5

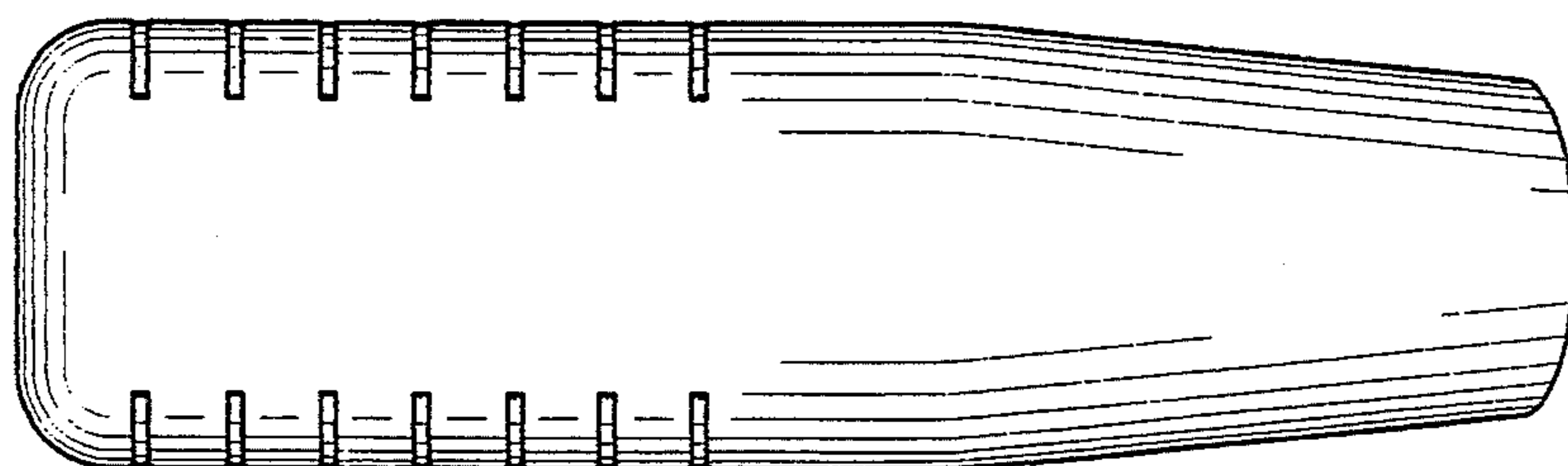


FIG. 6

