



US00D357097S

# United States Patent [19]

[11] Patent Number: **Des. 357,097**

Lee

[45] Date of Patent: **\*\* Apr. 4, 1995**

## [54] RV WASTE TANK CLEANING TOOL

[76] Inventor: **Robert D. Lee**, 2618 Sage St., Santa Rosa, Calif. 95405

[\*\*] Term: **14 Years**

[21] Appl. No.: **894,958**

[22] Filed: **Jun. 8, 1992**

[52] U.S. Cl. .... **D32/45; D23/213; D23/223**

[58] Field of Search ..... **D23/213, 223, 224; D32/35, 45, 17; 239/280, 280.5, 281, 525, 530, 532, 566; 401/137-139**

### [56] References Cited

#### U.S. PATENT DOCUMENTS

D. 288,838	3/1987	Hengesbach	.....	D23/213
D. 310,405	9/1990	Proctor et al.	.....	D23/223 X
D. 317,967	7/1991	Pelletier	.....	D23/223
3,377,123	4/1968	Leeson	.....	401/139
3,915,382	10/1975	Davis	.....	239/532

## FOREIGN PATENT DOCUMENTS

309326 4/1929 United Kingdom ..... 239/532

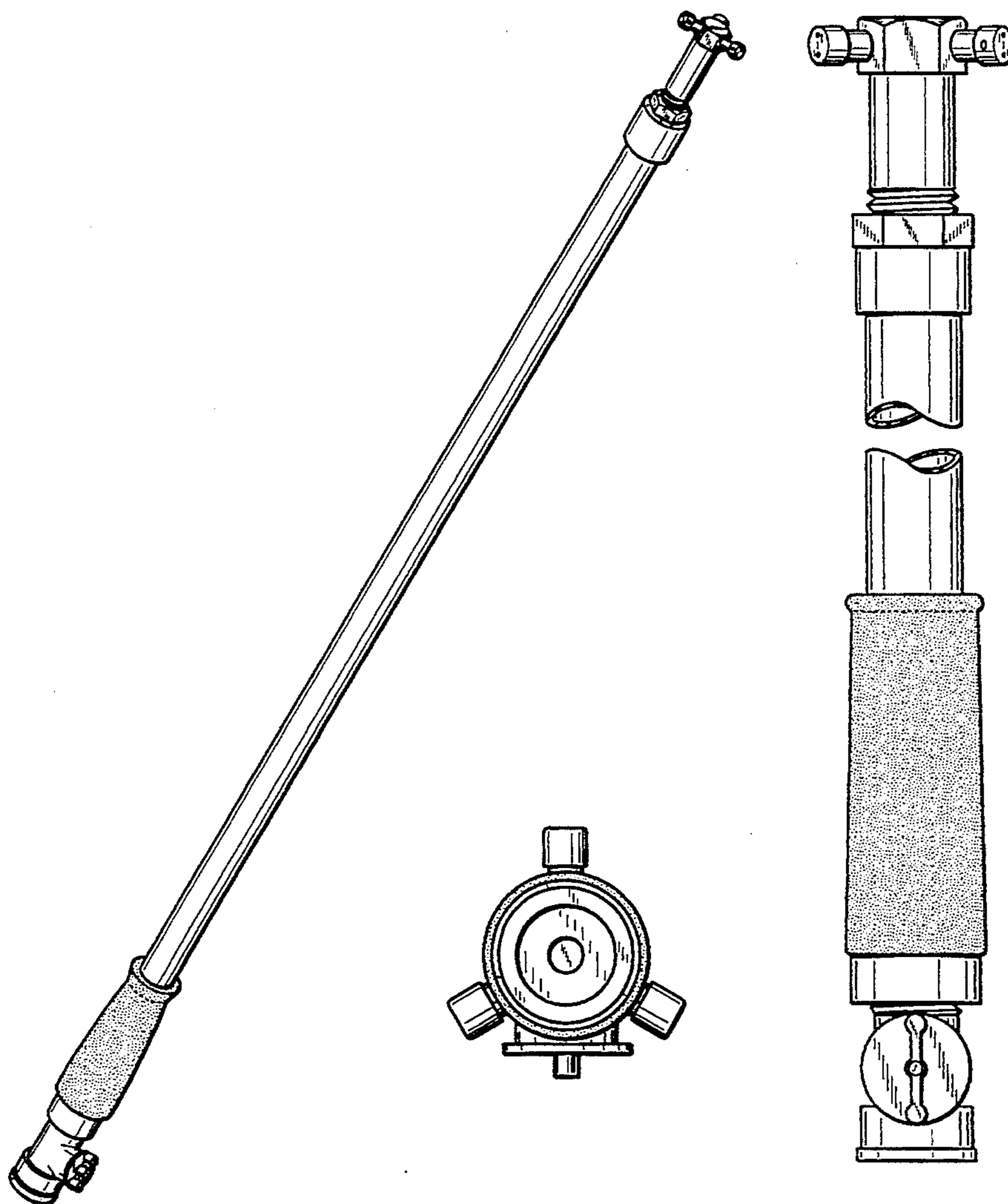
*Primary Examiner*—Wallace R. Burke  
*Assistant Examiner*—Lavone D. Tabor  
*Attorney, Agent, or Firm*—Larry D. Johnson

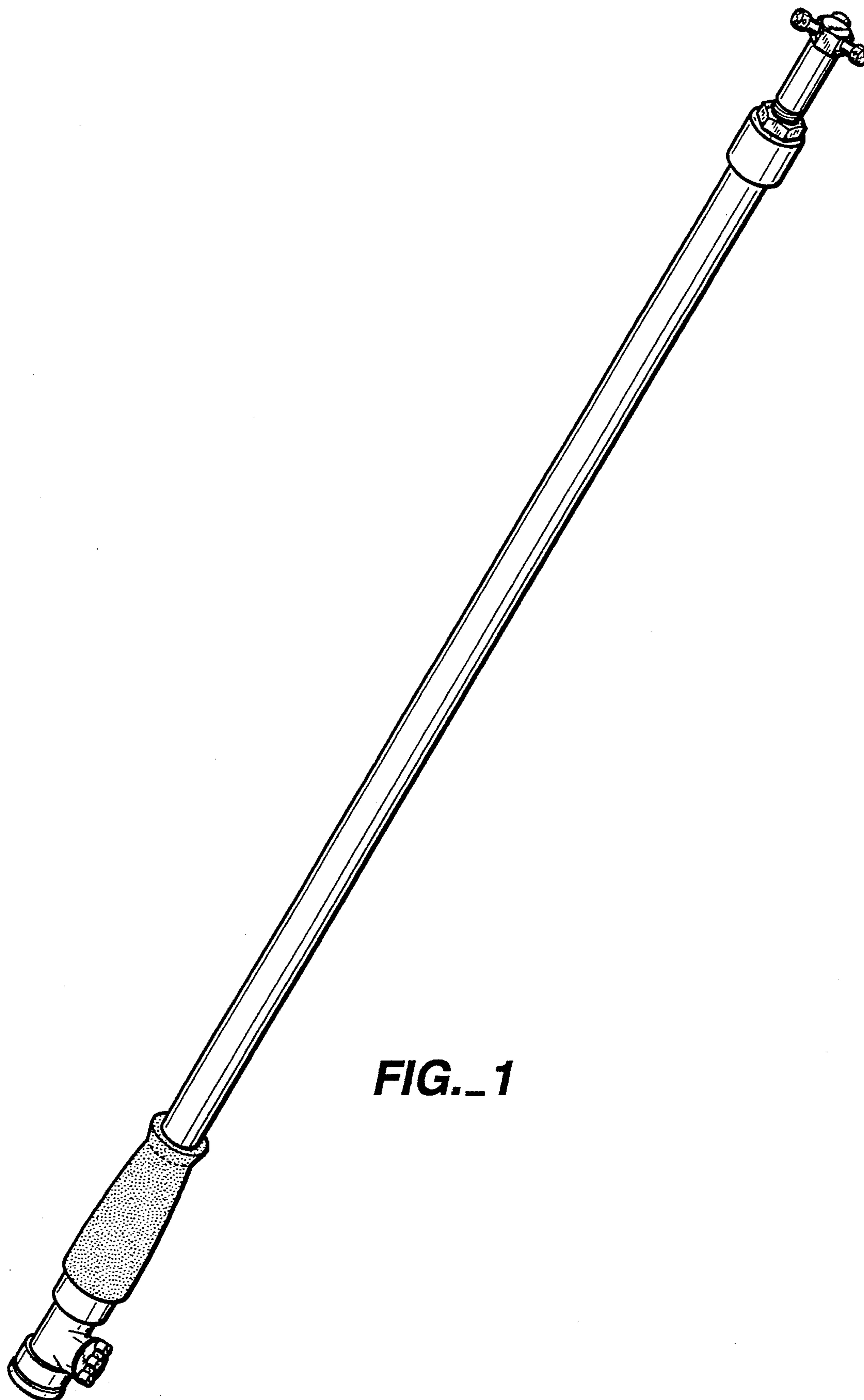
### [57] CLAIM

The ornamental design for a RV waste tank cleaning tool, as shown and described.

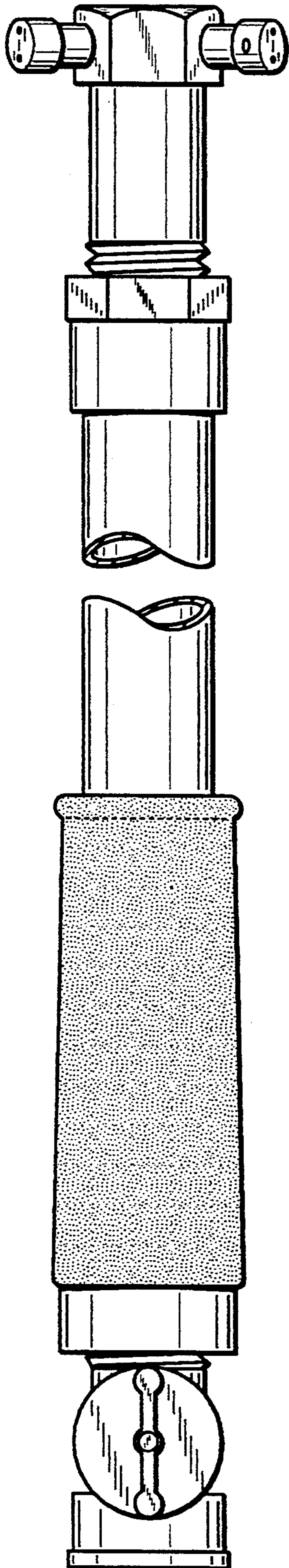
### DESCRIPTION

FIG. 1 is a perspective view of the RV waste tank cleaning tool showing my new design; FIG. 2 is an enlarged, fragmented front elevational view thereof, with the handle shown broken away for ease of illustration only; FIG. 3 is a fragmented right side elevational view thereof, the left side being a mirror image; FIG. 4 is a fragmented rear elevational view thereof; FIG. 5 is a top plan view thereof; and, FIG. 6 is a bottom plan view thereof.



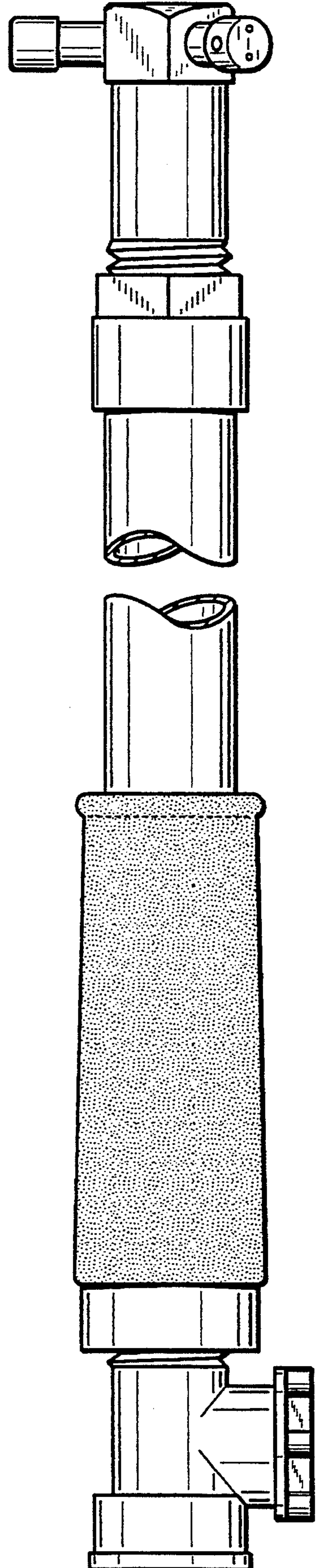


**FIG. 1**

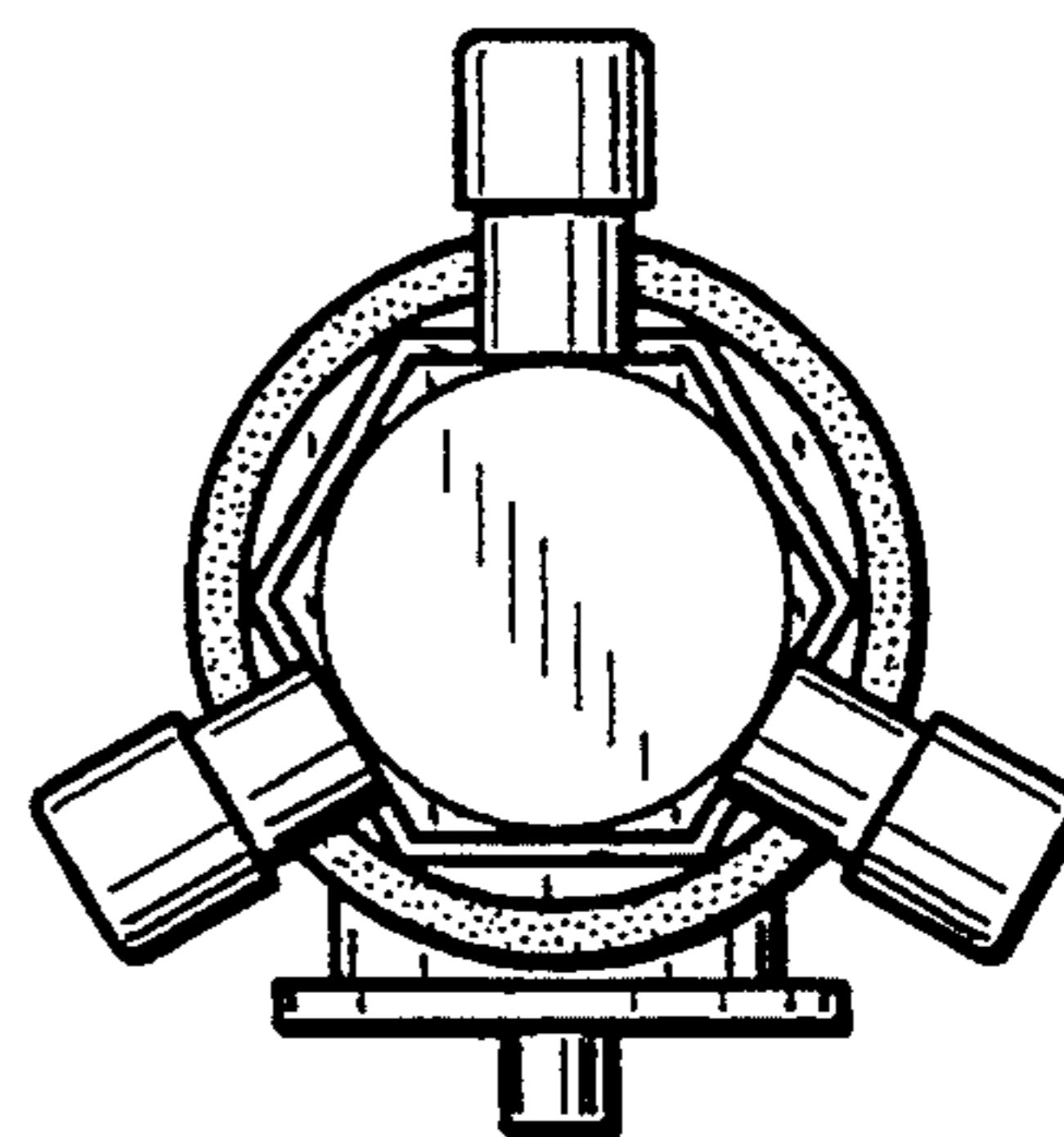
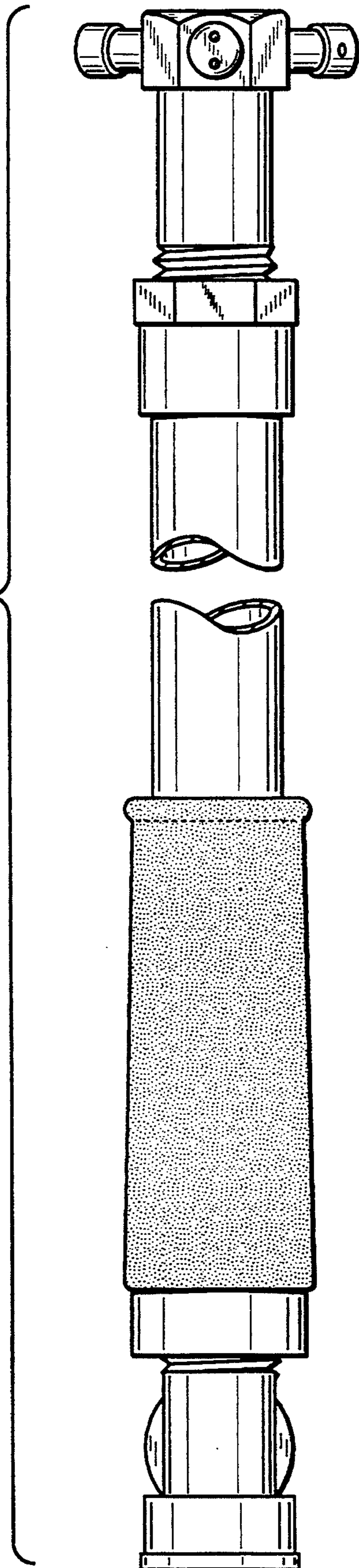


**FIG. 2**

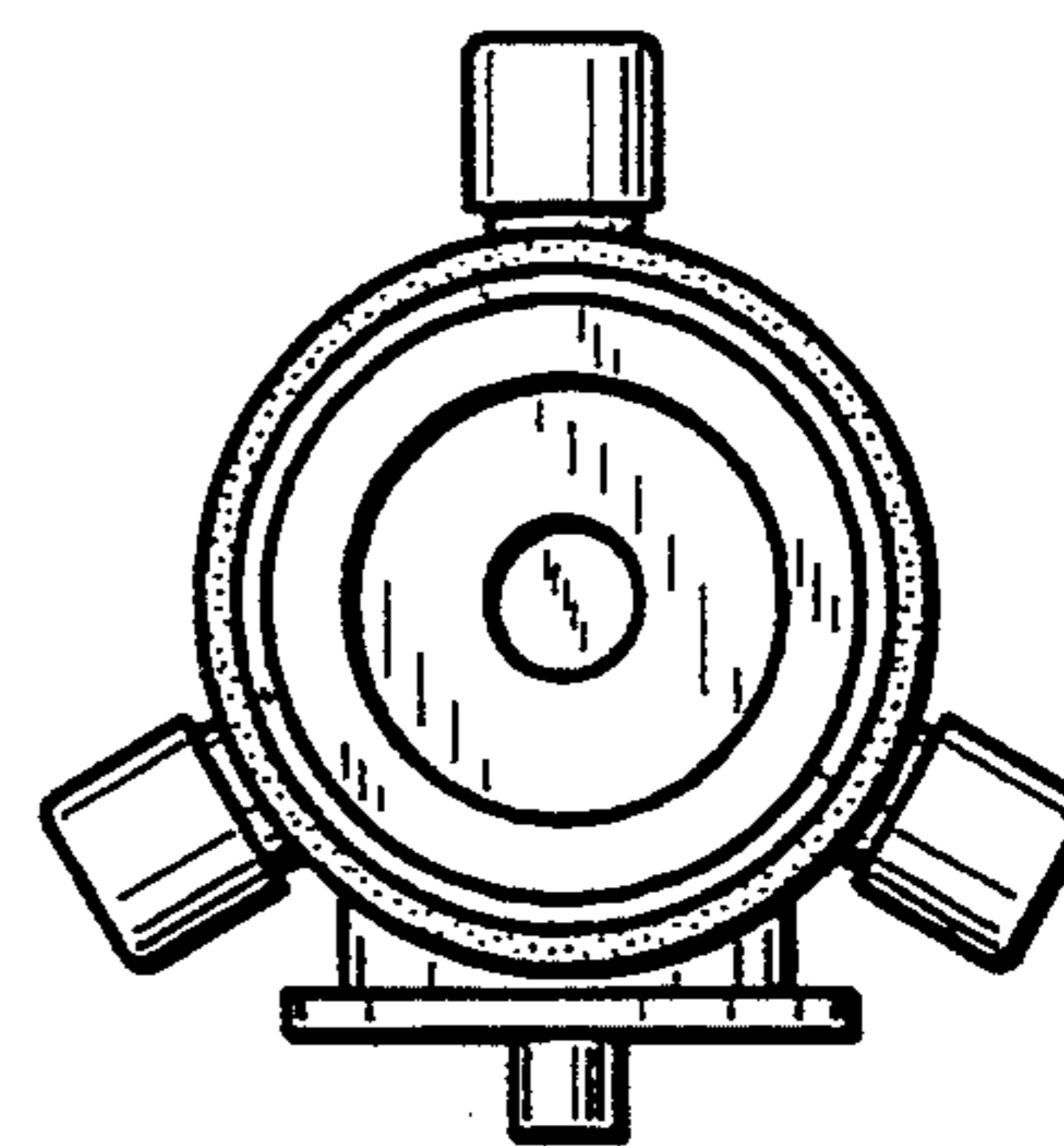
**FIG. 3**



**FIG.\_4**



**FIG.\_5**



**FIG.\_6**