



US00D357096S

United States Patent [19]

Wareham

[11] Patent Number: Des. 357,096

[45] Date of Patent: ** Apr. 4, 1995

[54] **VACUUM CLEANER UPPER PORTION**

5,247,719 9/1993 Wareham et al. 15/351

[75] Inventor: **Richard A. Wareham**, North Canton, Ohio

[73] Assignee: **The Hoover Company**, North Canton, Ohio

[**] Term: **14 Years**

[21] Appl. No.: **15,603**

[22] Filed: **Nov. 22, 1993**

[52] U.S. Cl. **D32/31**

[58] Field of Search 15/323, 350-351; D32/15, 21-25, 31-33

OTHER PUBLICATIONS

Service Merchandise Catalog; Dec. 20, 1992; p. 37; Hoover PowerMax Self propelled Upright Vacuum Cleaner w/tools; #3737910HU.

Photo of Eureka ® cleaner, Model 9730—Purchased 31 Jul. 1992.

Photo of Singer ® cleaner, Model 1487-0—Purchased 10 Sep. 1992.

Photo of Royal ® cleaner, Model 8200—Purchased 17 Jan. 1993.

Primary Examiner—Cathy Anne MacCormac

[56] **References Cited**

U.S. PATENT DOCUMENTS

D. 277,325	1/1985	Hug	D32/31
D. 293,727	1/1988	Wareham et al.	D32/22
D. 293,728	1/1988	Ohhira et al.	D32/22
D. 307,658	5/1990	Ikeda et al.	D32/22
D. 309,203	7/1990	Goodrich	D32/22
D. 309,806	8/1990	Chieda et al.	D32/22
D. 314,260	1/1991	Lee	D32/22
D. 315,042	2/1991	Ikeda	D32/22
D. 319,517	8/1991	Sovis et al.	D32/22
D. 328,372	7/1992	Kieft	D32/31
D. 338,295	8/1993	Kieft	D32/31
D. 339,435	9/1993	McKnight et al.	D32/31
D. 346,053	4/1994	Hoshino	D32/31
D. 346,053	4/1994	Hoshino	D32/22
4,545,089	10/1985	Axel	15/323
4,761,850	8/1988	Romeo et al.	15/323
4,905,341	3/1990	Sunagawa et al.	15/323
5,168,598	12/1992	Hashizume et al.	15/351

[57] **CLAIM**

The ornamental design for a vacuum cleaner upper portion, as shown and described.

DESCRIPTION

FIG. 1 is a top, front and left perspective view of the vacuum cleaner upper portion showing my new design; FIG. 2 is a front view thereof;

FIG. 3 is a left side view thereof;

FIG. 4 is a right side view thereof;

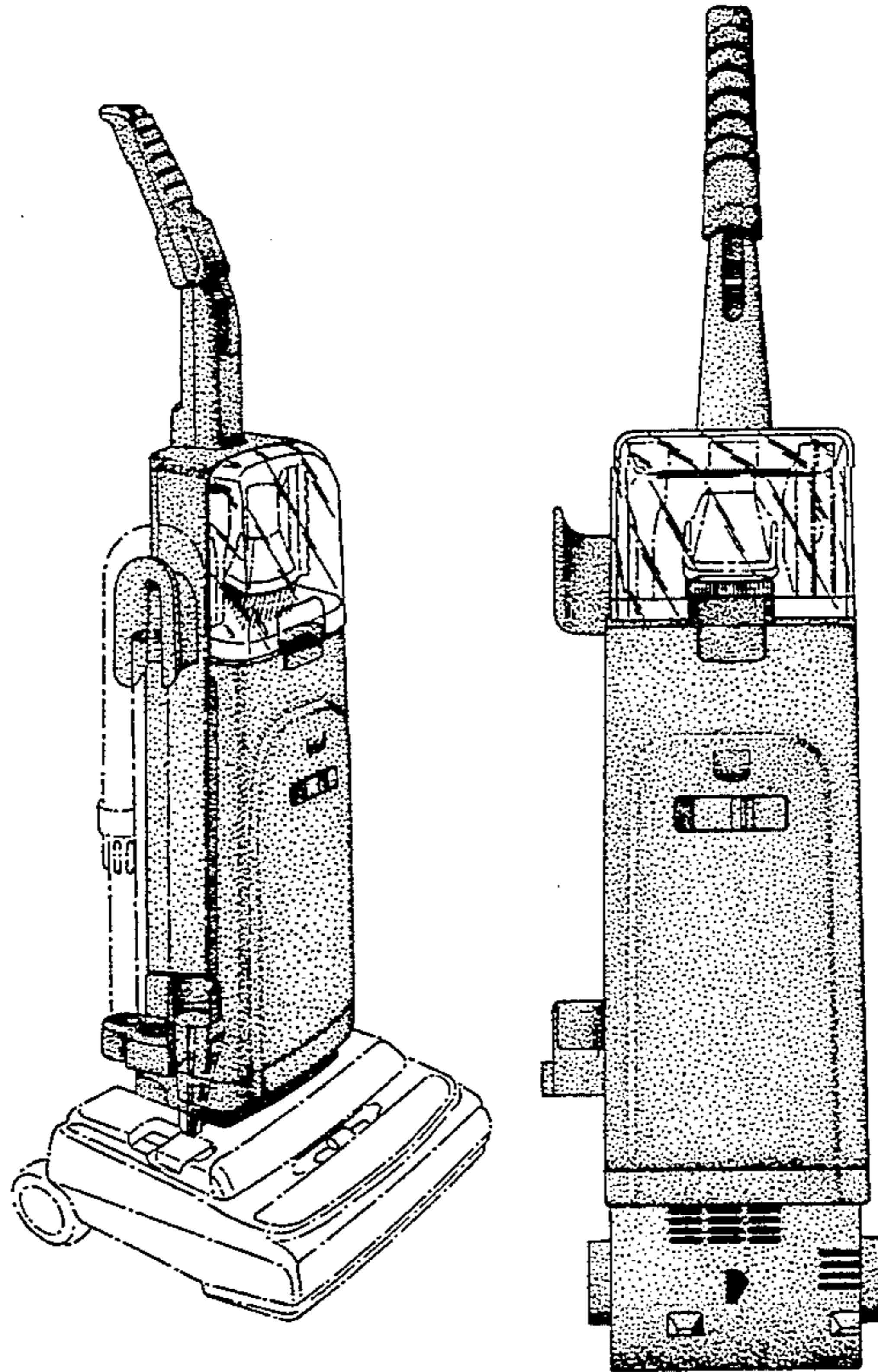
FIG. 5 is a rear view thereof;

FIG. 6 is a top view thereof;

FIG. 7 is an enlarged, partial top, front and right perspective view of the vacuum cleaner upper portion with the tool door removed; and,

FIG. 8 is a bottom plan view thereof.

The portion of the vacuum cleaner shown in broken lines in FIG. 1 is shown for illustrative purposes only and forms no part of the claimed design.



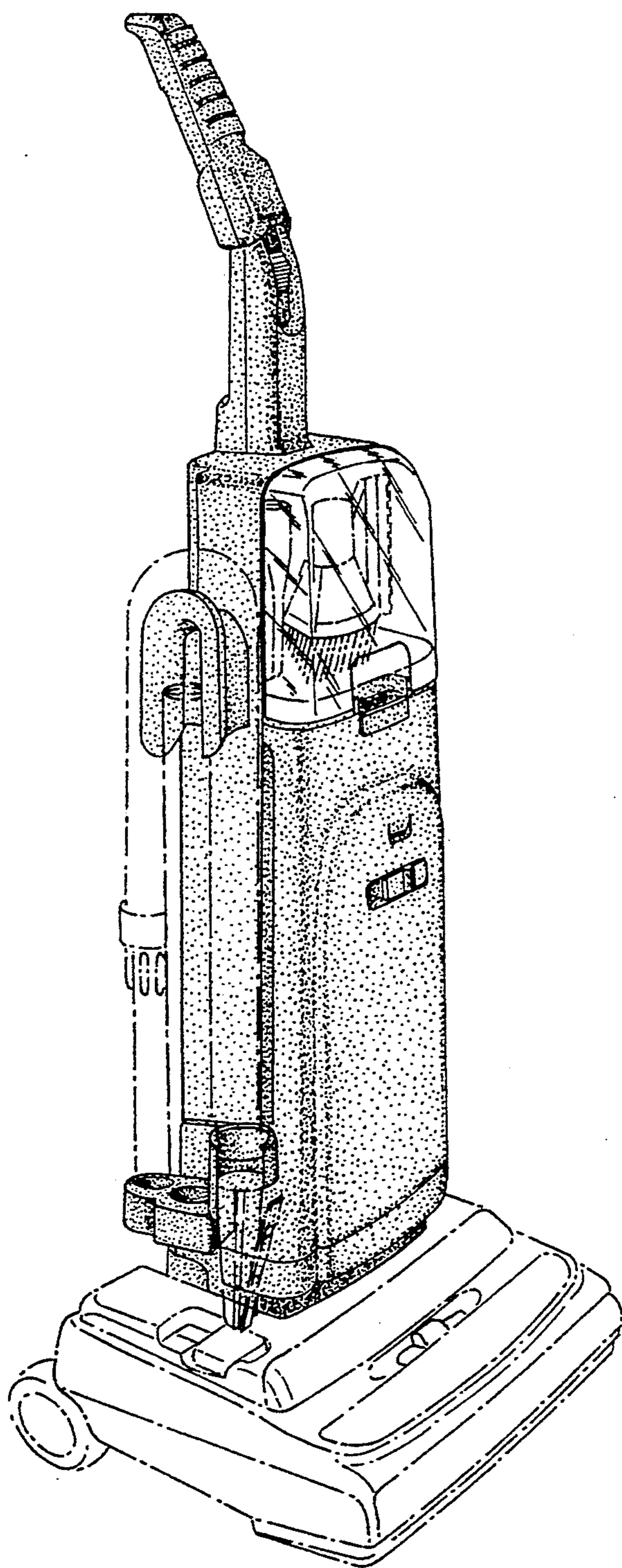


FIG. - 1

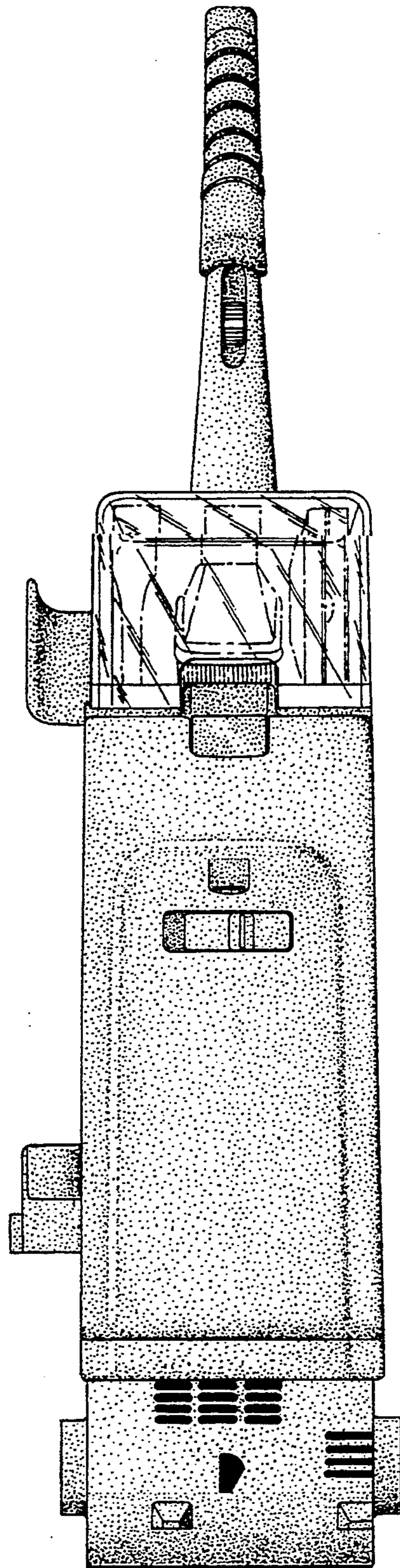


FIG.-2

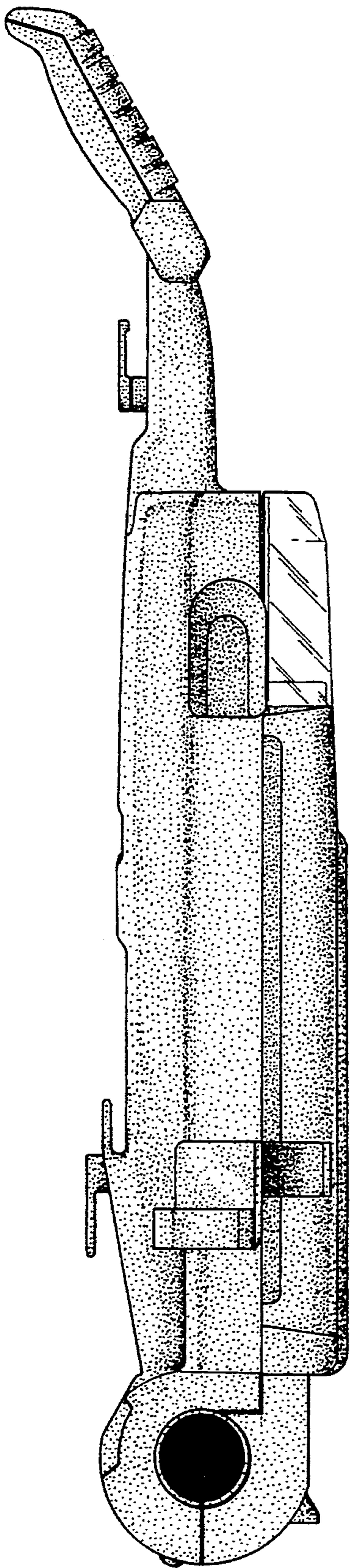


FIG. - 3

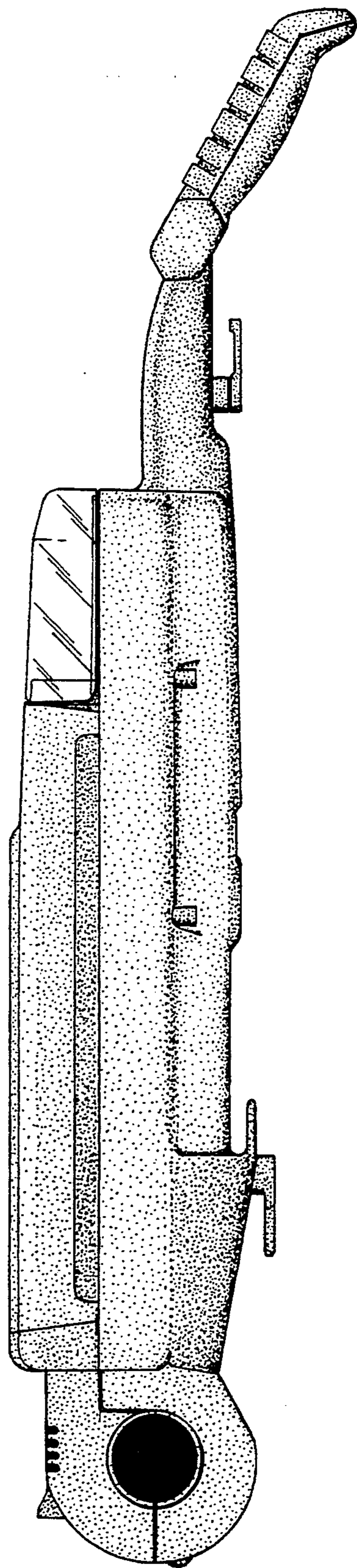


FIG. - 4

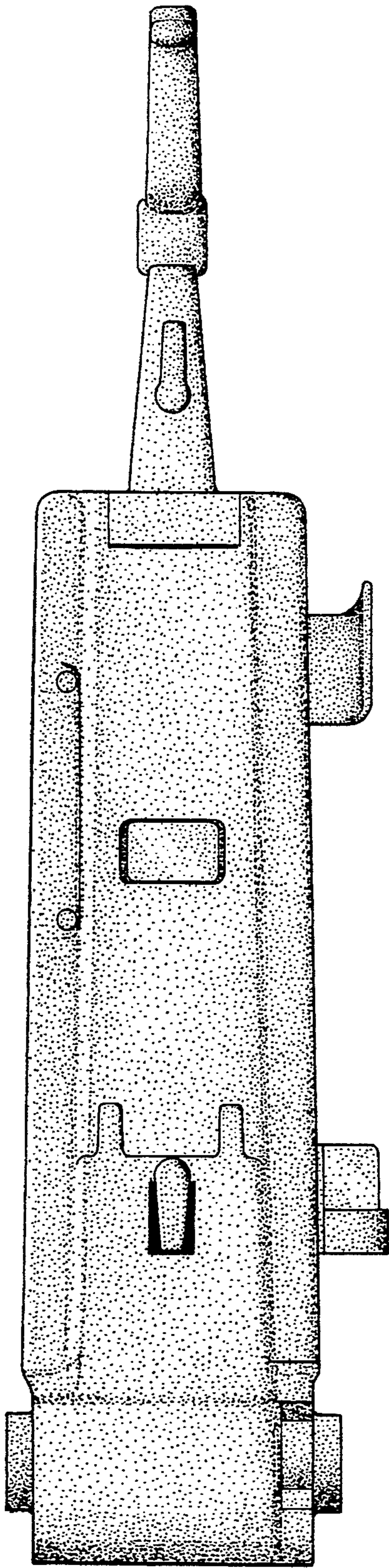


FIG.-5

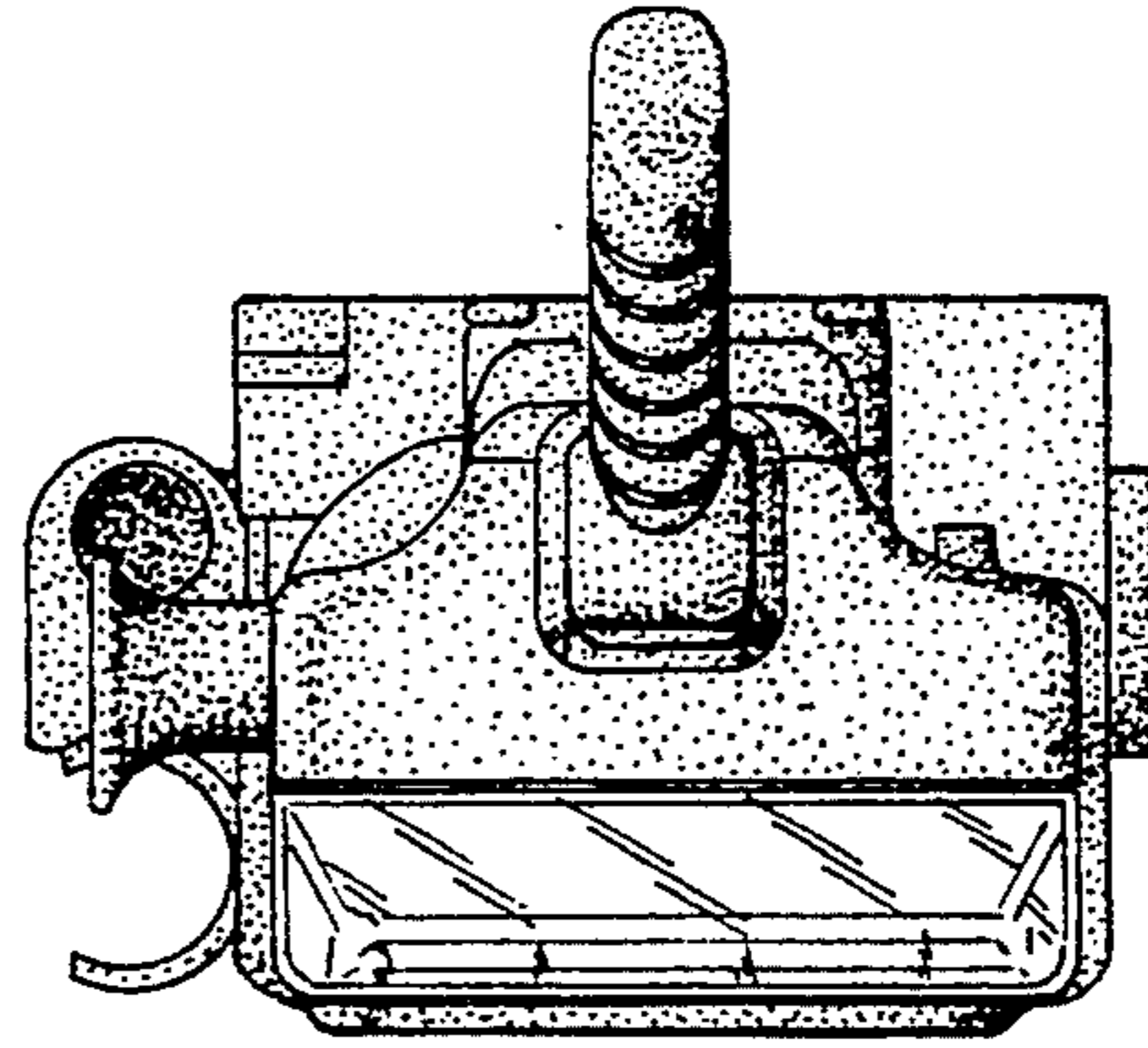


FIG.-6

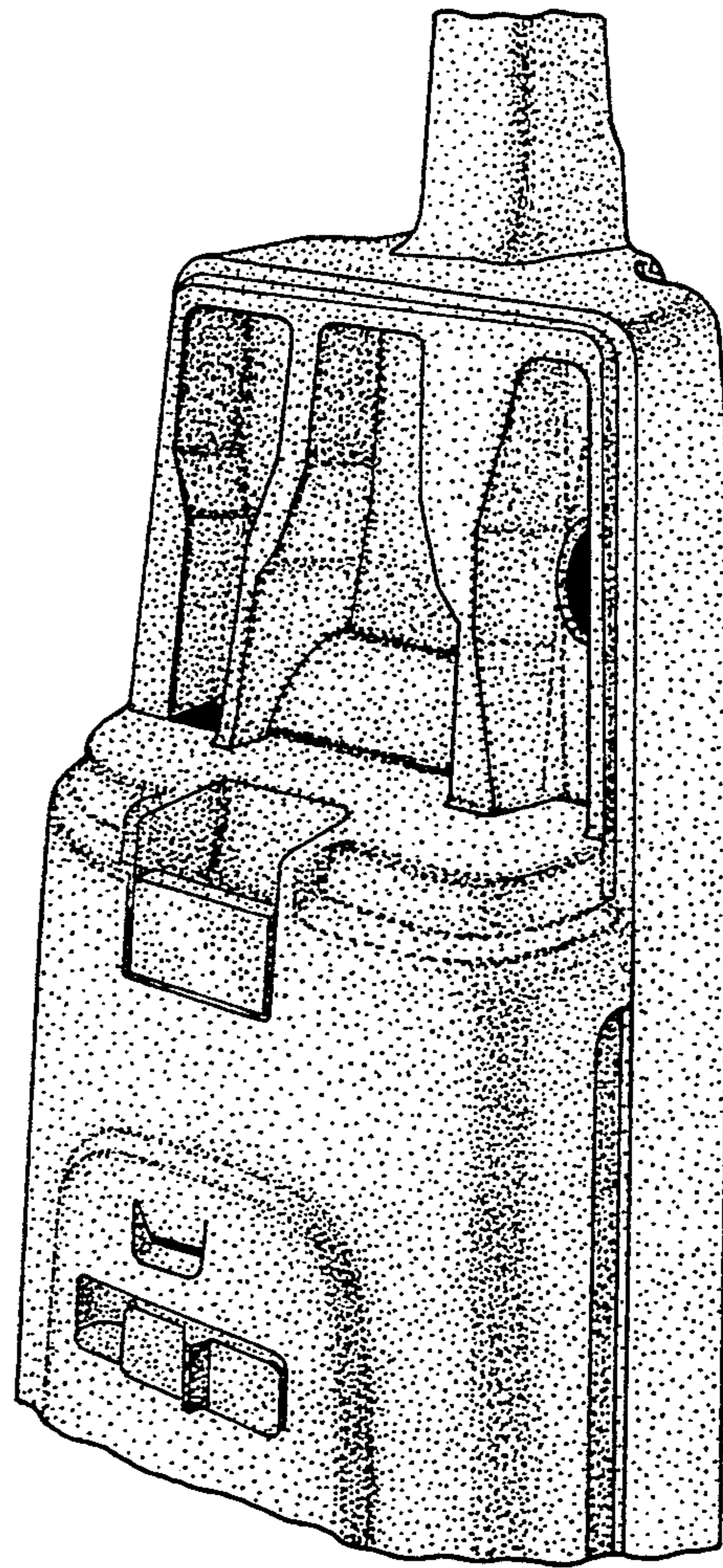


FIG.-7

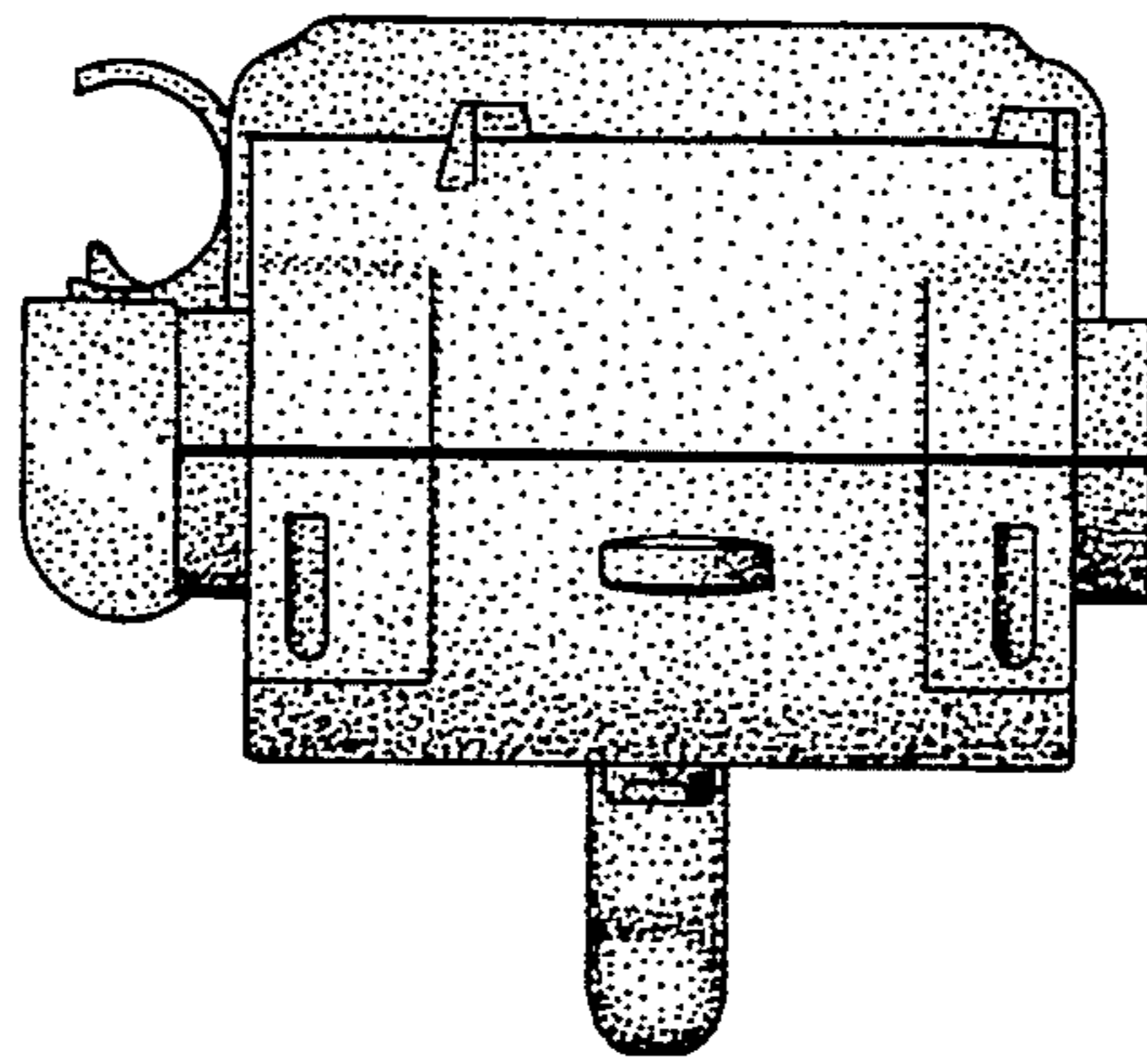


FIG.-8