



US00D357095S

# United States Patent [19] Lin

[11] Patent Number: **Des. 357,095**

[45] Date of Patent: **\*\* Apr. 4, 1995**

[54] **DUST COLLECTOR**

[75] Inventor: **Kun-Yih Lin**, Taichung, Taiwan,  
Prov. of China

[73] Assignee: **Chang Tjer Industrial Co., Ltd.**,  
Taichung, Taiwan, Prov. of China

[\*\*] Term: **14 Years**

[21] Appl. No.: **4,849**

[22] Filed: **Feb. 11, 1993**

[52] U.S. Cl. .... **D32/1**

[58] Field of Search ..... **D32/1, 21, 31, 15;**  
**15/301, 302, 312.1, 316.1-318.1, 405**

[56] **References Cited**

**U.S. PATENT DOCUMENTS**

- 45,405 3/1914 Sutton ..... D32/21
- D. 214,083 5/1969 Alligood, Jr. .... D32/22
- D. 287,656 1/1987 Waldrep et al. .... D32/21

- D. 289,096 3/1987 Larsen ..... D32/21
- D. 326,005 5/1992 Anderson ..... D32/21
- D. 326,543 5/1992 Zwicker ..... D32/21
- D. 342,354 12/1993 Lopes ..... D32/21
- 5,018,238 5/1991 Nelle ..... 15/344

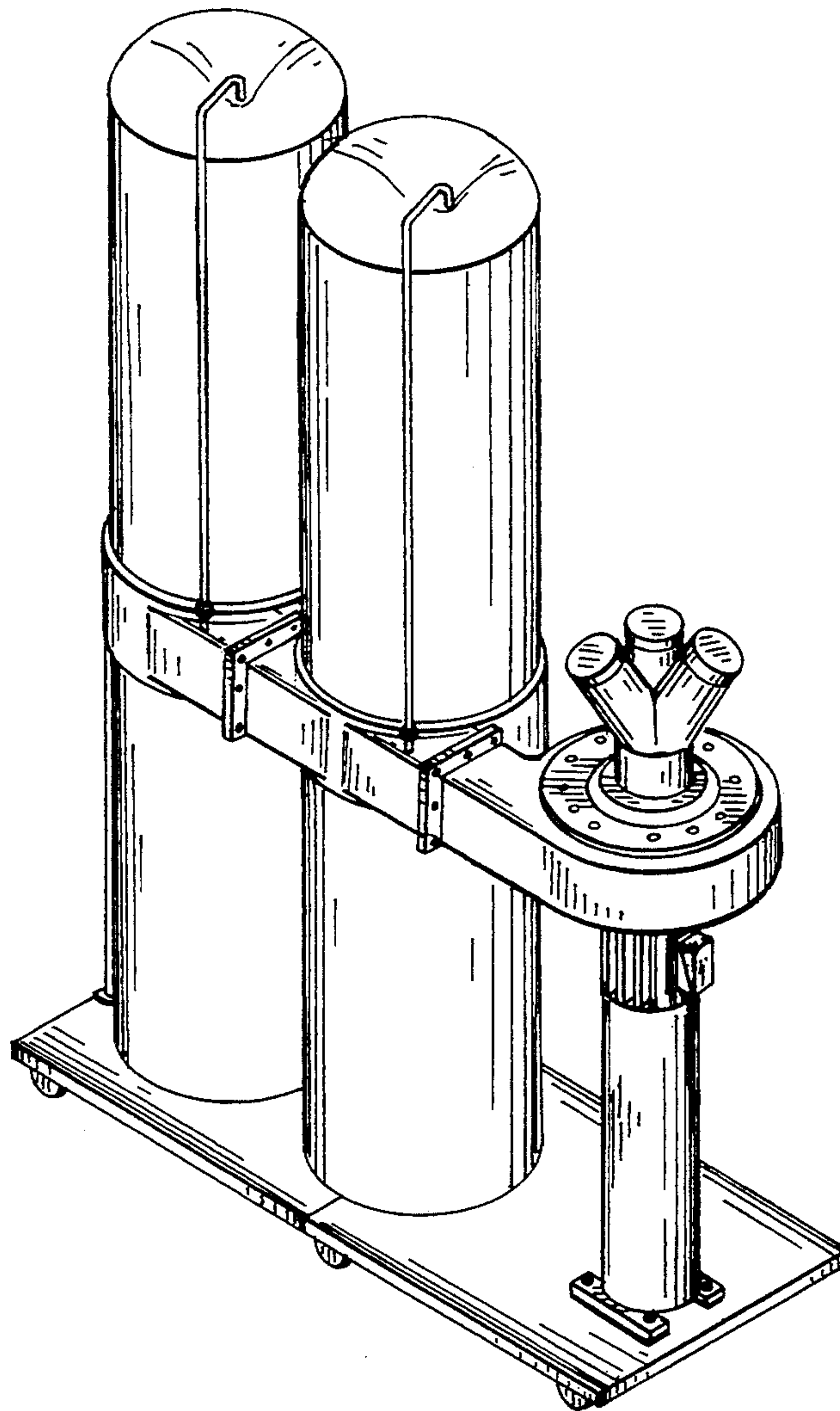
*Primary Examiner*—Ruth McInroy  
*Attorney, Agent, or Firm*—Bacon & Thomas

[57] **CLAIM**

The ornamental design for a dust collector, as shown and described.

**DESCRIPTION**

FIG. 1 is a perspective view of a dust collector taken from above and side showing my new design; FIG. 2 is a front elevational view thereof; FIG. 3 is a rear elevational view thereof; FIG. 4 is a left side elevational view thereof; FIG. 5 is a right side elevational view thereof; FIG. 6 is a top plan view thereof; and, FIG. 7 is a bottom plan view thereof.



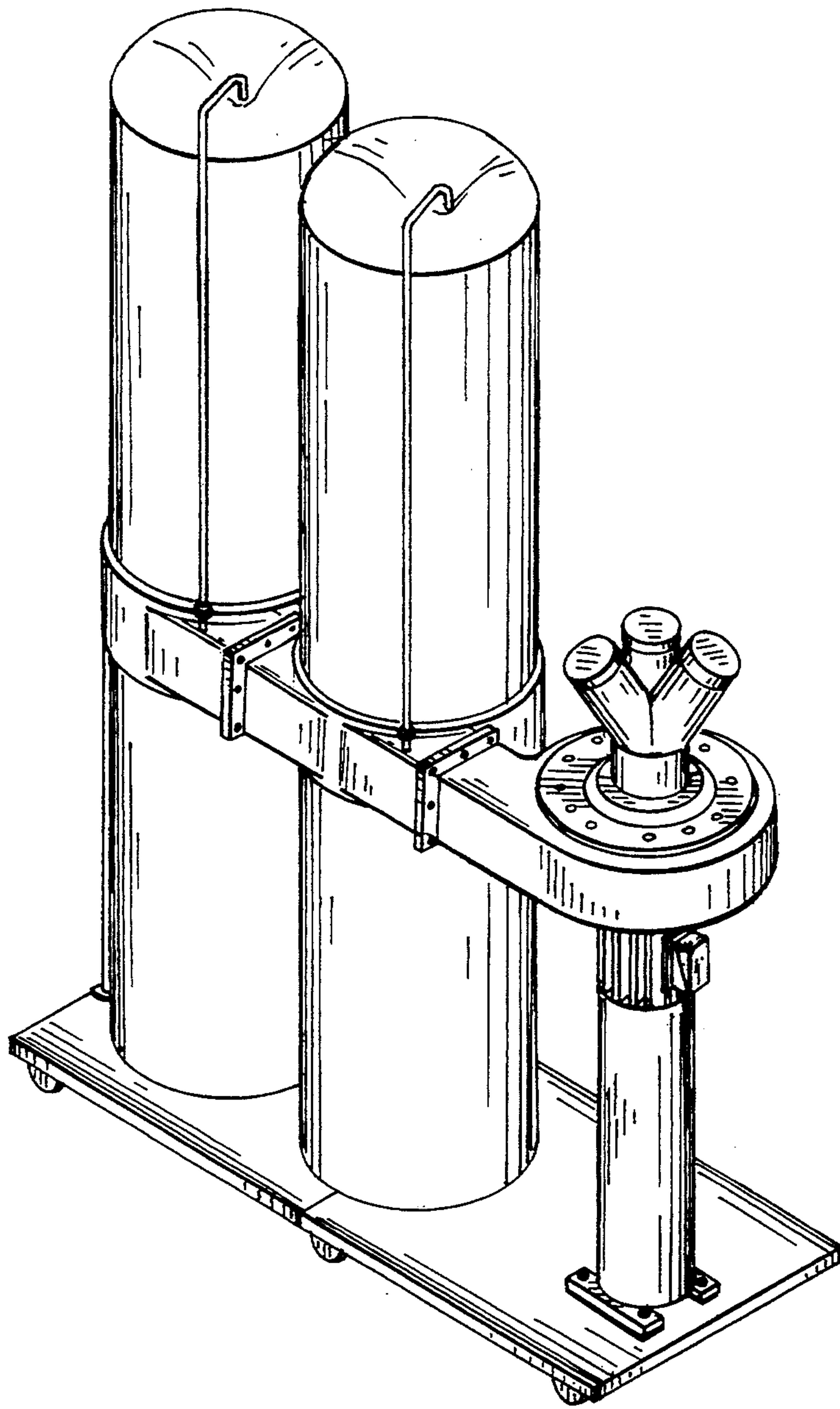


FIG. 1

FIG. 3

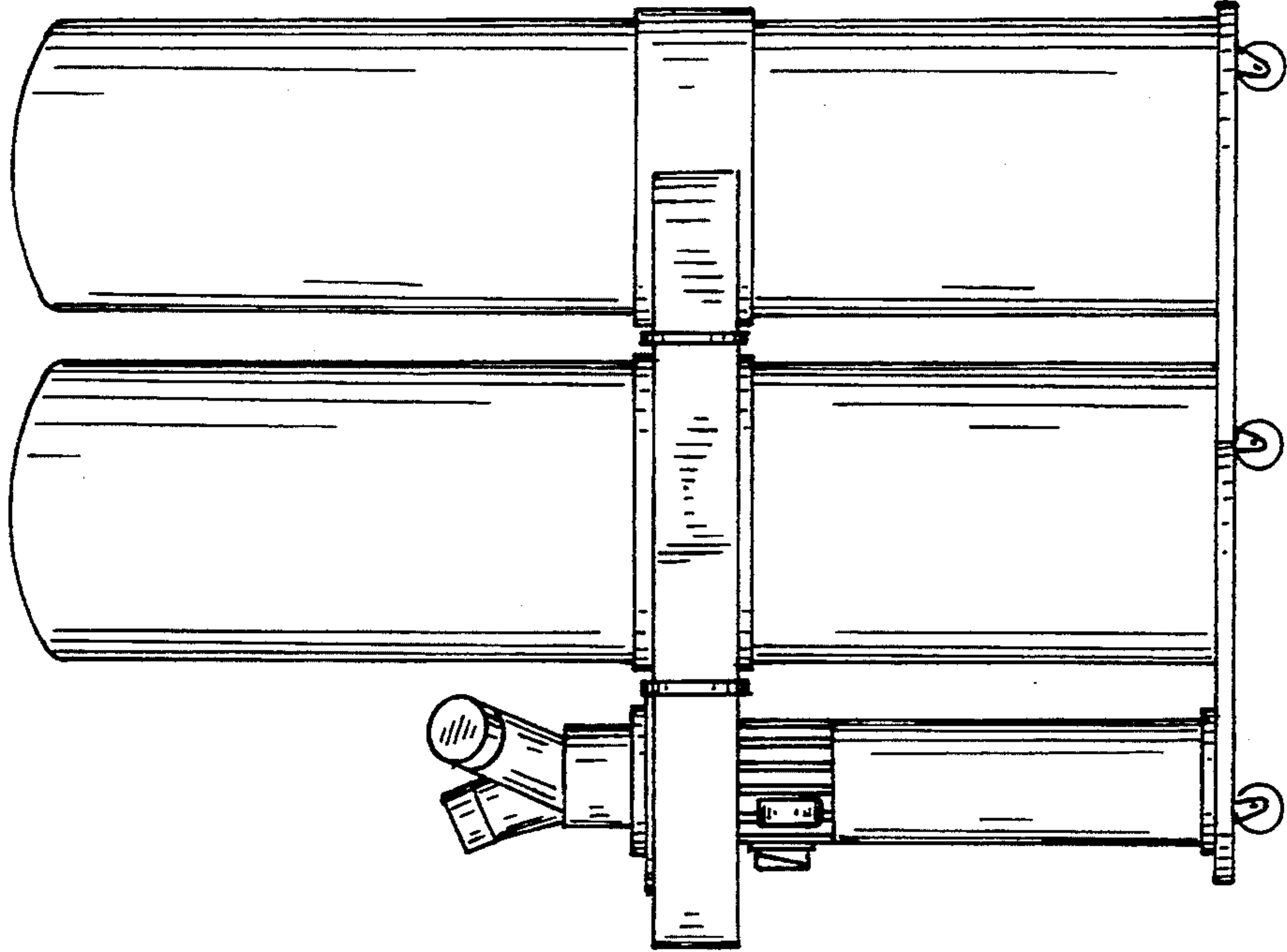


FIG. 2

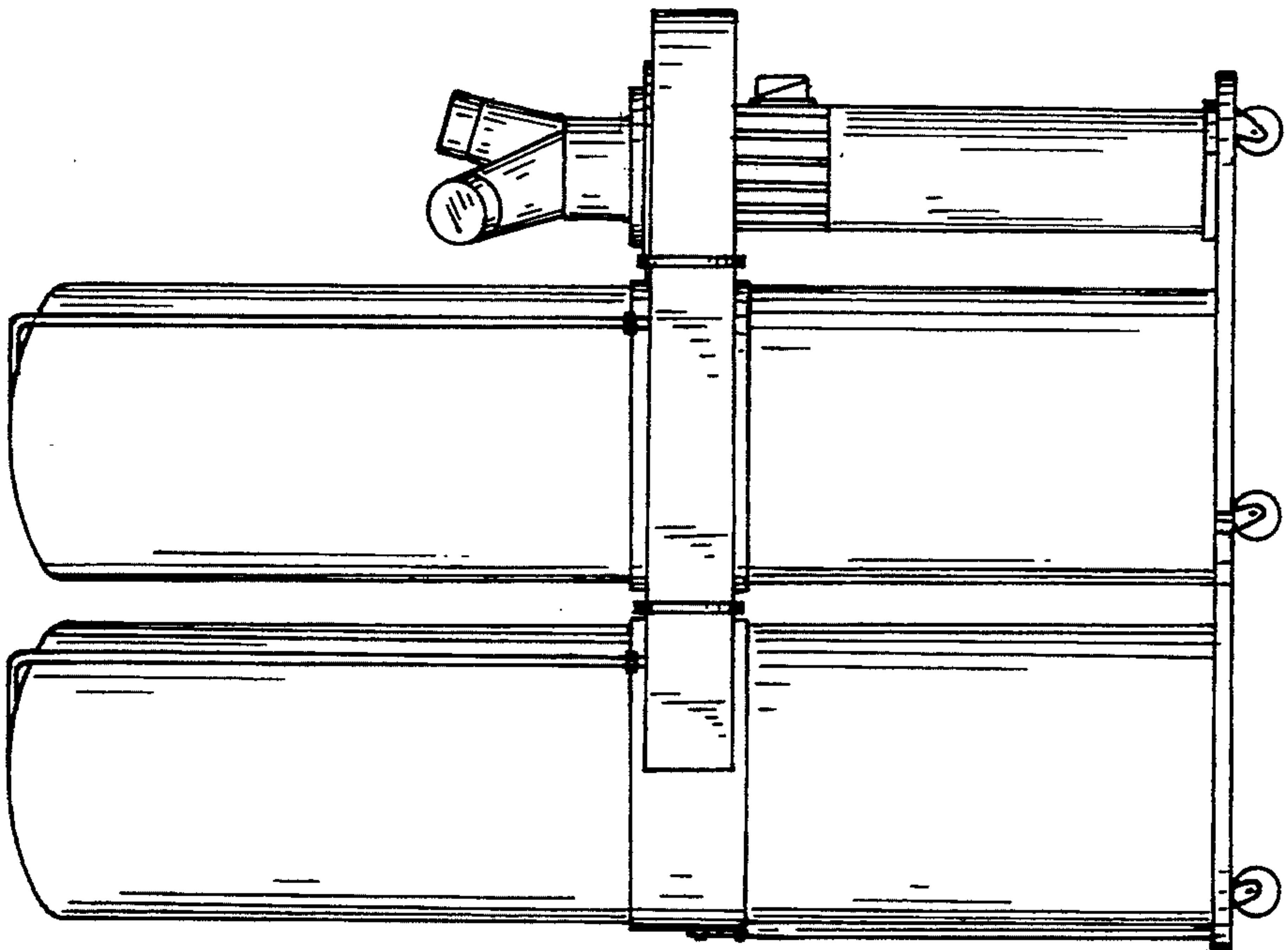


FIG. 5

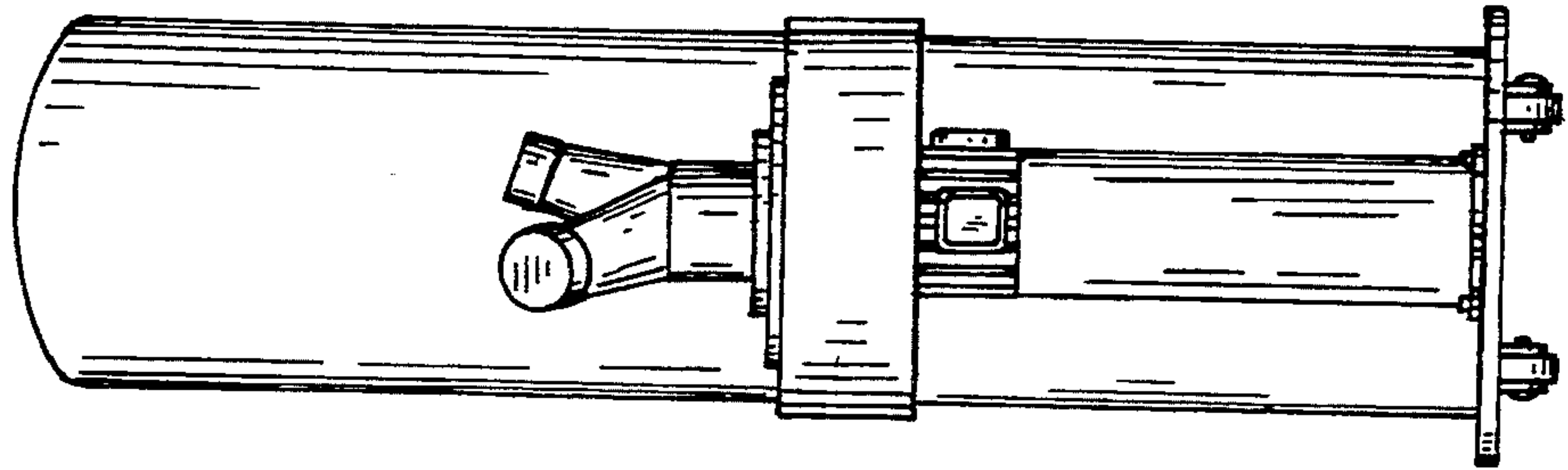
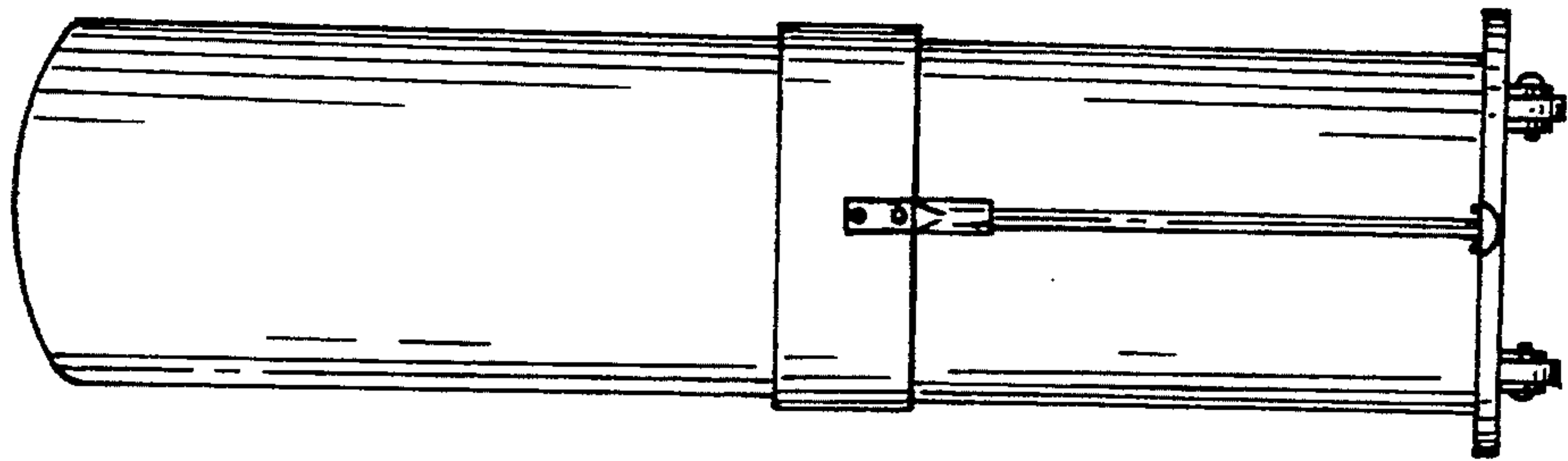


FIG. 4



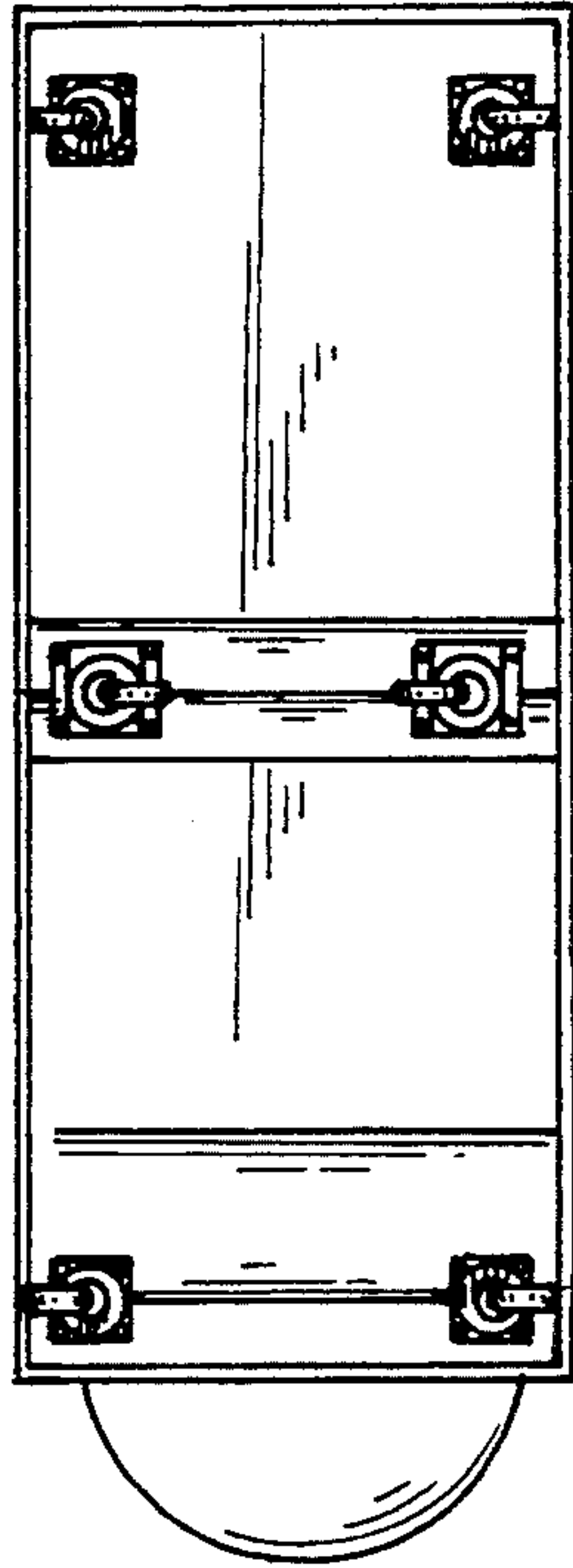


FIG. 7

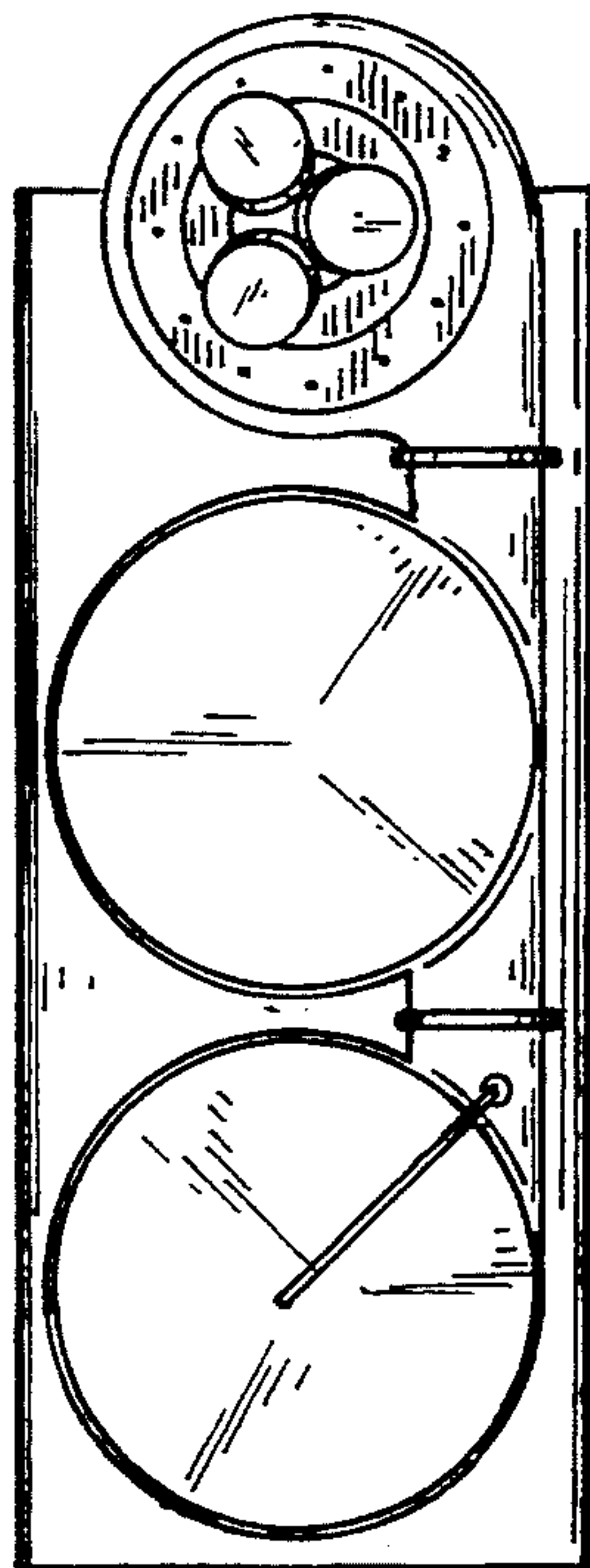


FIG. 6