



US00D357092S

# United States Patent [19]

[11] Patent Number: **Des. 357,092**

Young

[45] Date of Patent: **\*\* Apr. 4, 1995**

- [54] **HAIR ACCESSORY**
- [75] Inventor: **Andrea G. Young, Wooster, Ohio**
- [73] Assignee: **The Topsytail Company, Dallas, Tex.**
- [\*\*] Term: **14 Years**
- [21] Appl. No.: **16,519**
- [22] Filed: **Dec. 20, 1993**
- [52] U.S. Cl. .... **D28/43; D11/200**
- [58] Field of Search ..... **D28/39-42;**  
**D11/1, 2, 200-202, 204, 206, 86, 87; 132/273,**  
**275-279; 24/3 R, 5, 6**

1,808,156	6/1931	Burns	.....	132/275
1,863,878	6/1932	Riley	.....	24/5
2,047,825	7/1936	Johnson et al.	.....	24/6
2,661,748	12/1953	Racho	.	
4,991,607	2/1991	Chen	.....	132/278

### FOREIGN PATENT DOCUMENTS

472857	12/1914	France	.....	132/279
537622	3/1922	France	.....	132/275
200829	2/1924	United Kingdom	.....	132/275

*Primary Examiner*—Terry A. Wallace  
*Assistant Examiner*—C. Tuttle  
*Attorney, Agent, or Firm*—Baker & Botts

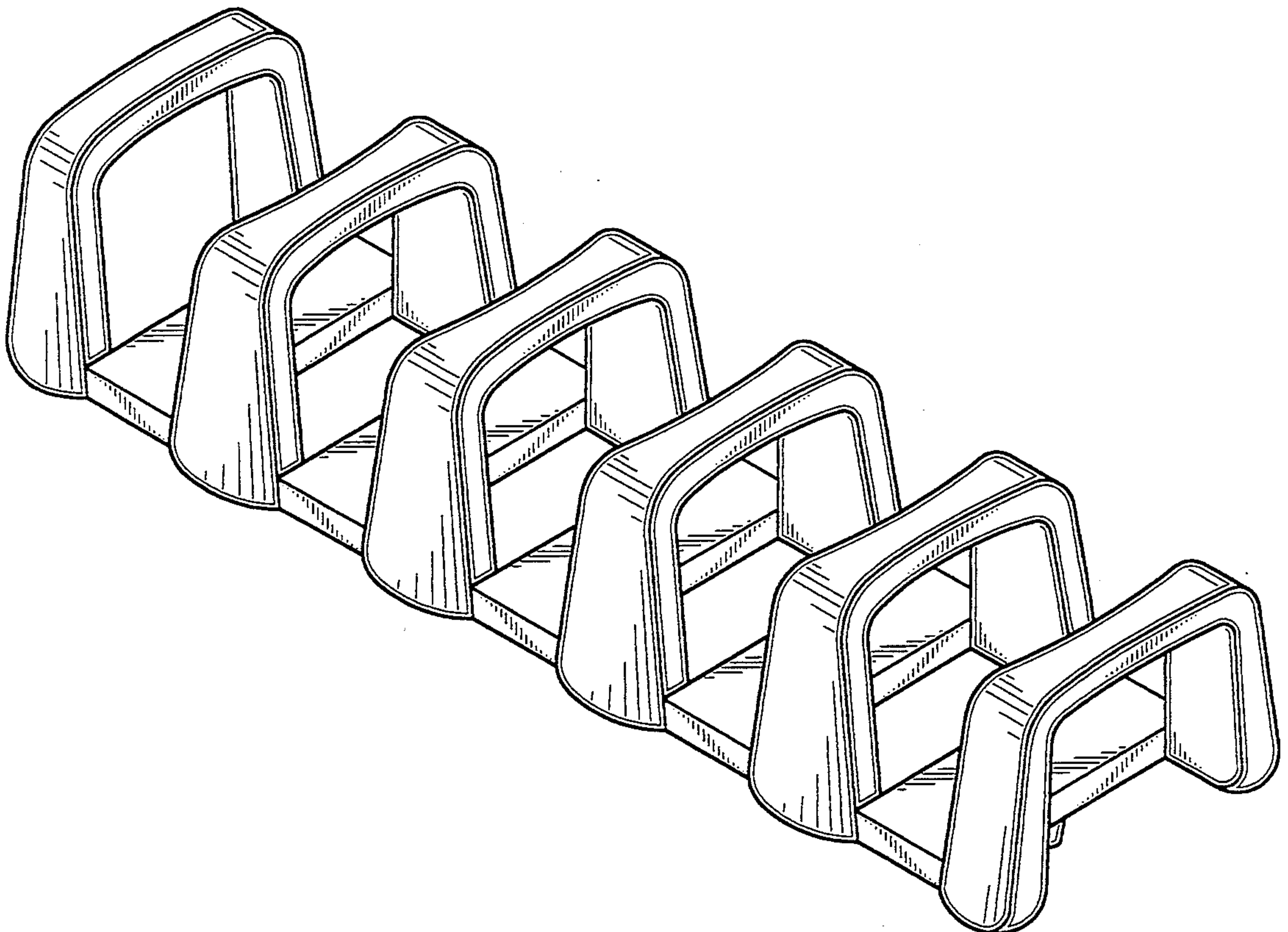
[56] **References Cited**  
**U.S. PATENT DOCUMENTS**

D. 26,504	1/1897	Postert	.....	D11/1
D. 39,554	9/1908	Farrell	.....	D28/42
D. 93,176	8/1934	Murray	.....	D11/75
D. 121,818	8/1940	Marrow	.....	D11/143 X
D. 144,284	4/1946	Behr	.....	D28/42
565,884	8/1896	Emmons	.	
818,468	4/1906	Regan	.	
926,450	6/1909	Yeomans	.	
1,007,586	10/1911	Martin	.	
1,077,345	11/1913	Hines et al.	.	
1,221,172	4/1917	Hamilton	.....	D11/206 X
1,255,348	2/1918	Stone	.	
1,316,981	6/1919	Singer	.	
1,353,912	9/1920	Kelley	.	
1,480,935	1/1924	Gleason	.	

[57] **CLAIM**  
The ornamental design for a hair accessory, as shown and described.

### DESCRIPTION

FIG. 1 is a perspective view showing my new hair accessory design;  
FIG. 2 is a top plan view thereof;  
FIG. 3 is a front elevational view thereof with an attachment clamp being shown in dot-dash lines thereon;  
FIG. 4 is a right side elevational view of FIG. 1, the left side being a mirror image;  
FIG. 5 is a bottom plan view of FIG. 2; and,  
FIG. 6 is a sectional view taken on line 6—6, FIG. 2.  
The broken line showing of the hair clasp in FIG. 3 is for illustrative purposes only and forms no part of the claimed design.



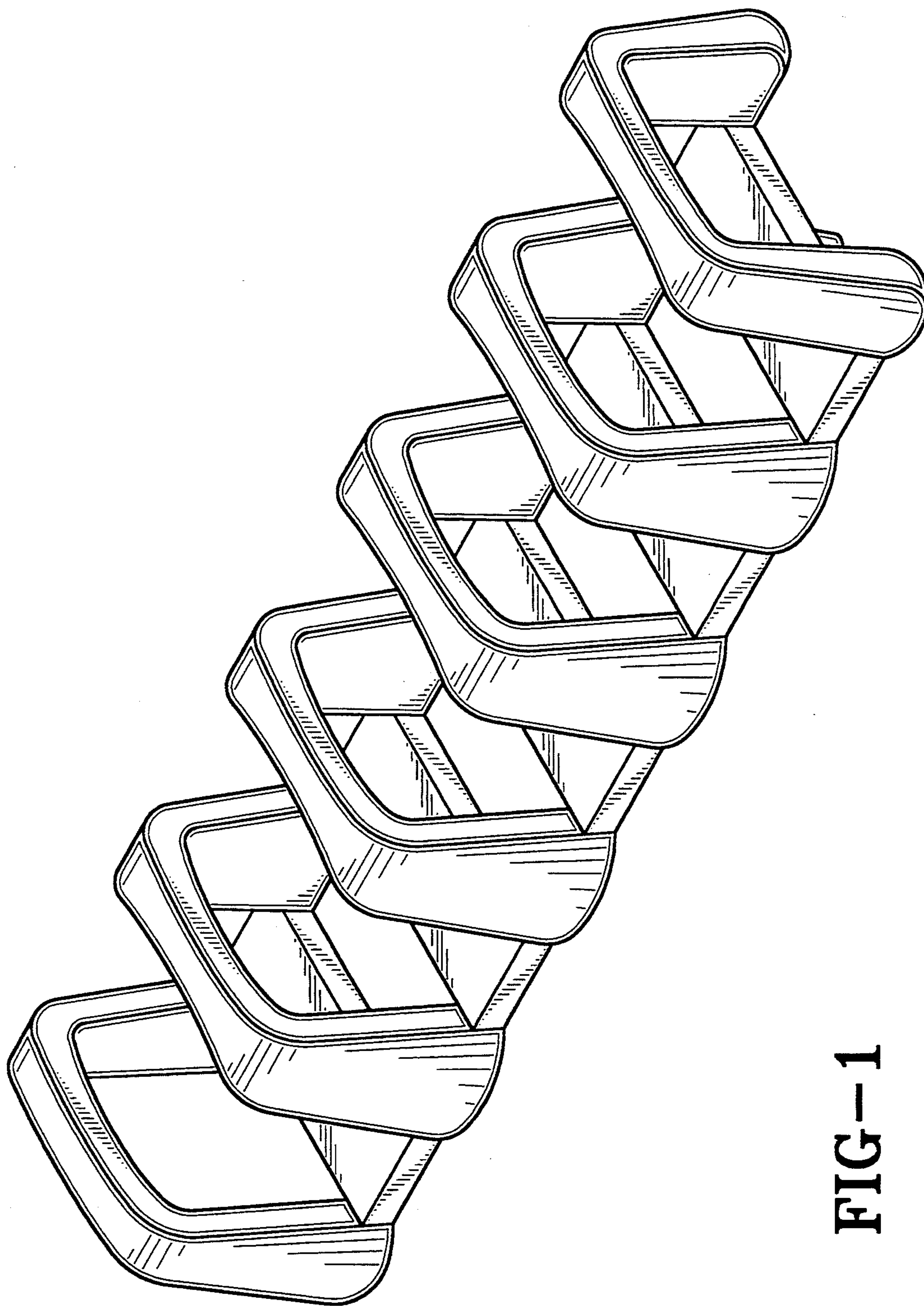


FIG-1



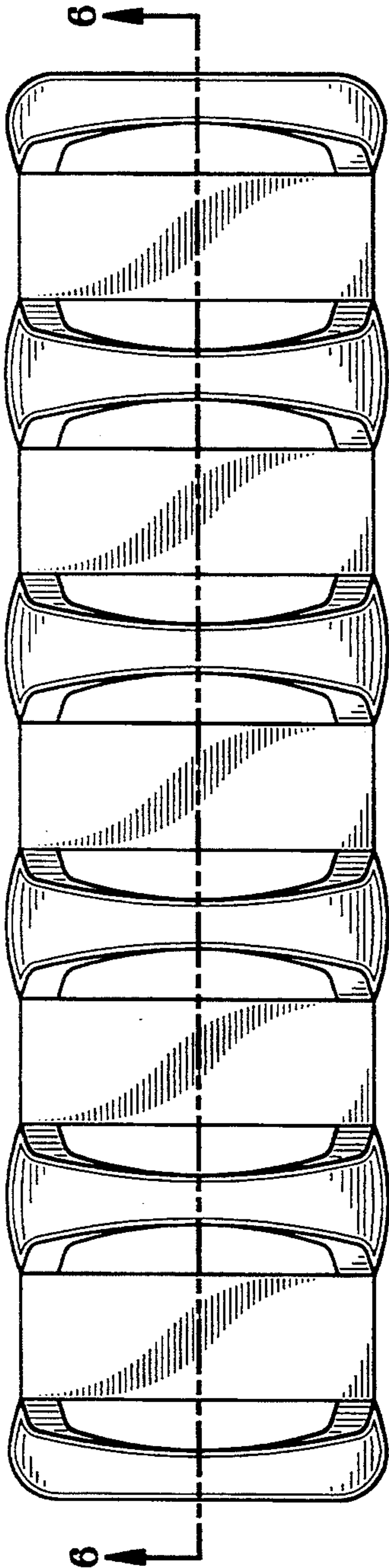


FIG-2

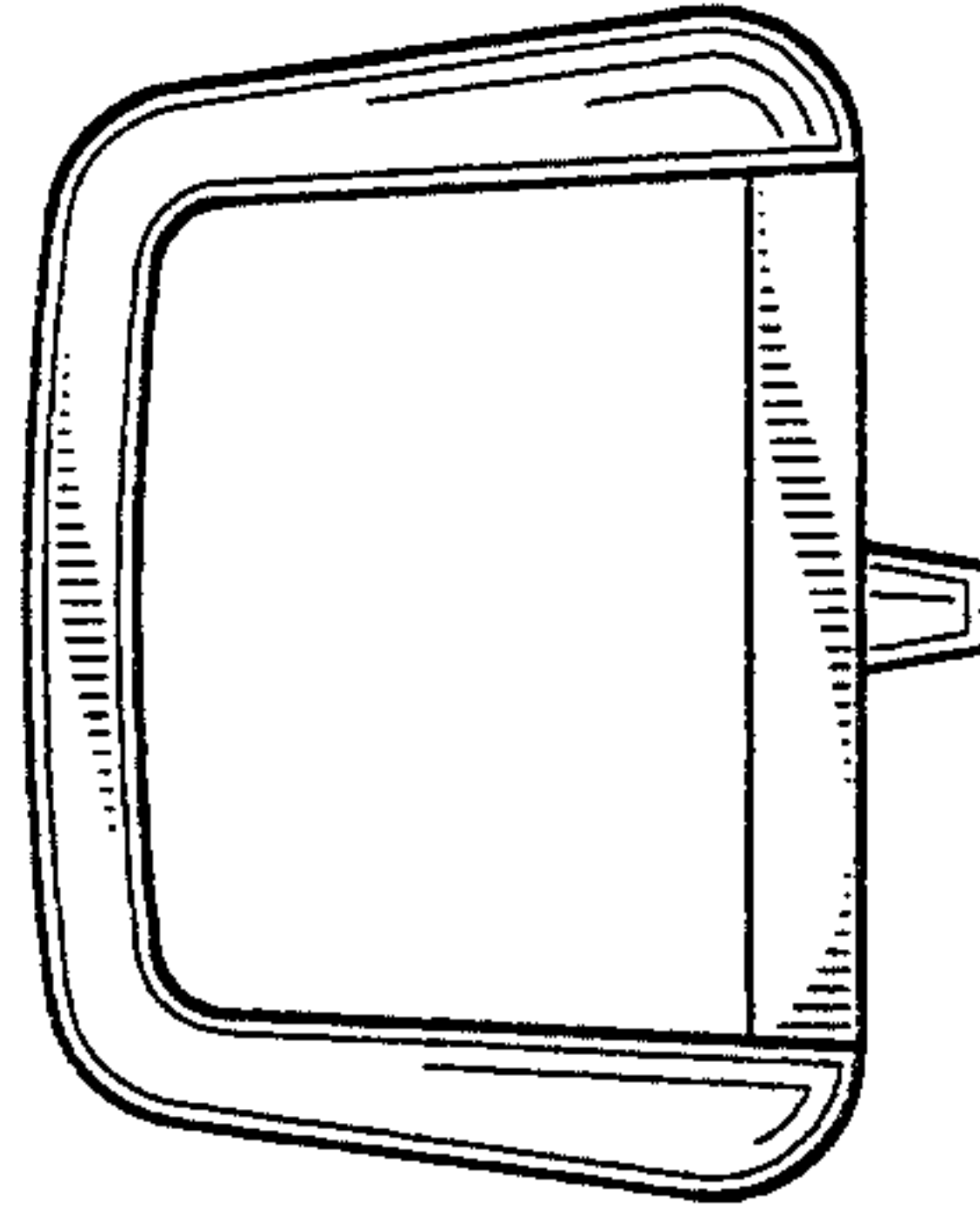


FIG-4

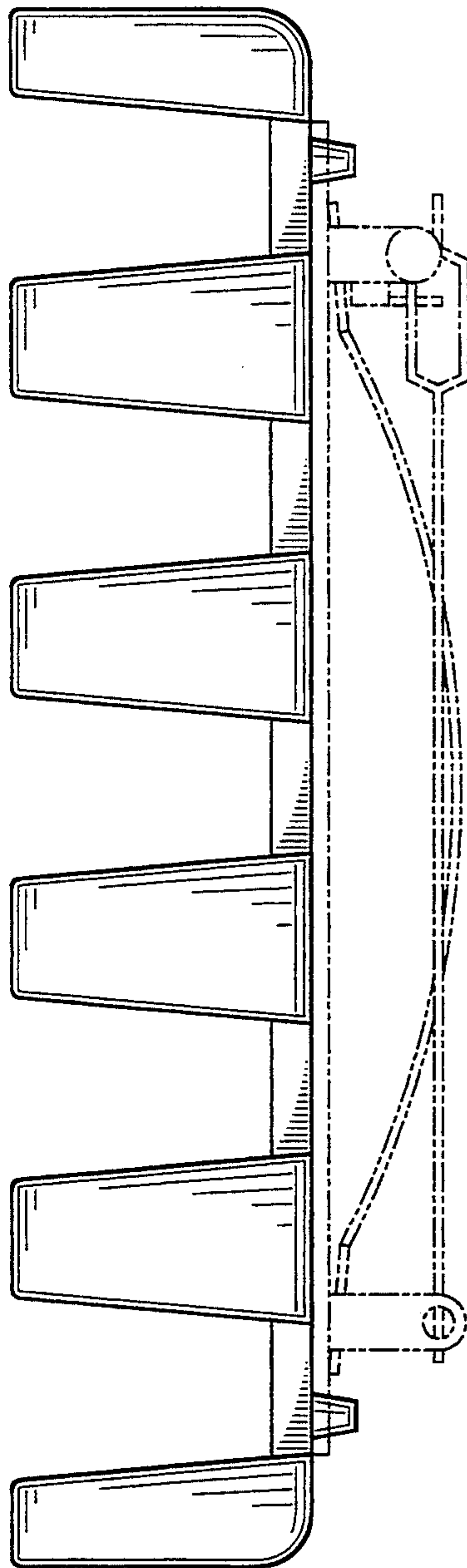


FIG-3

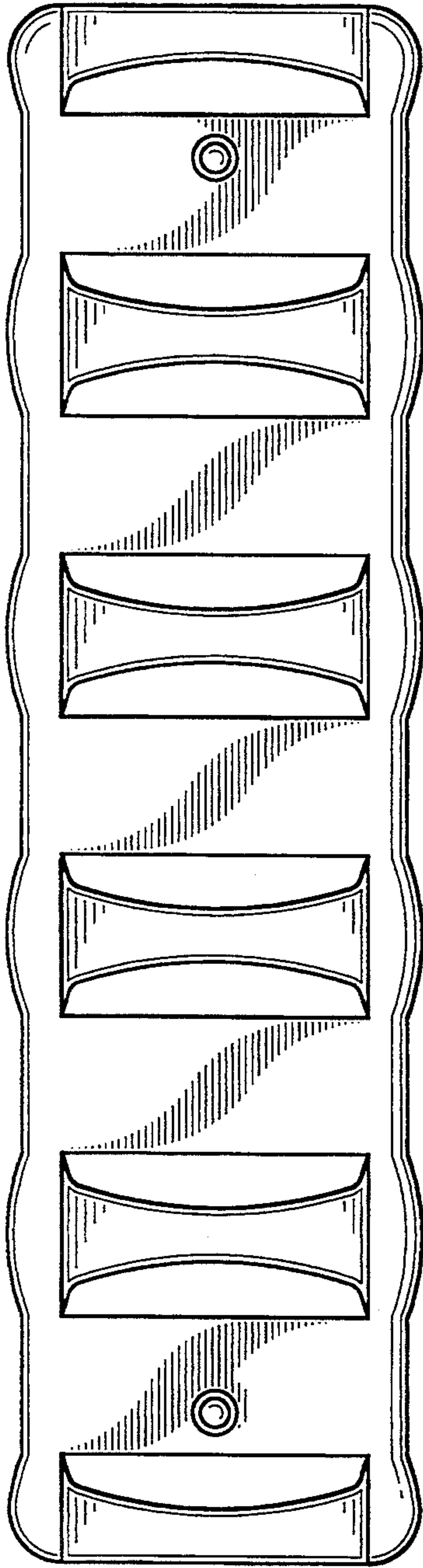


FIG-5

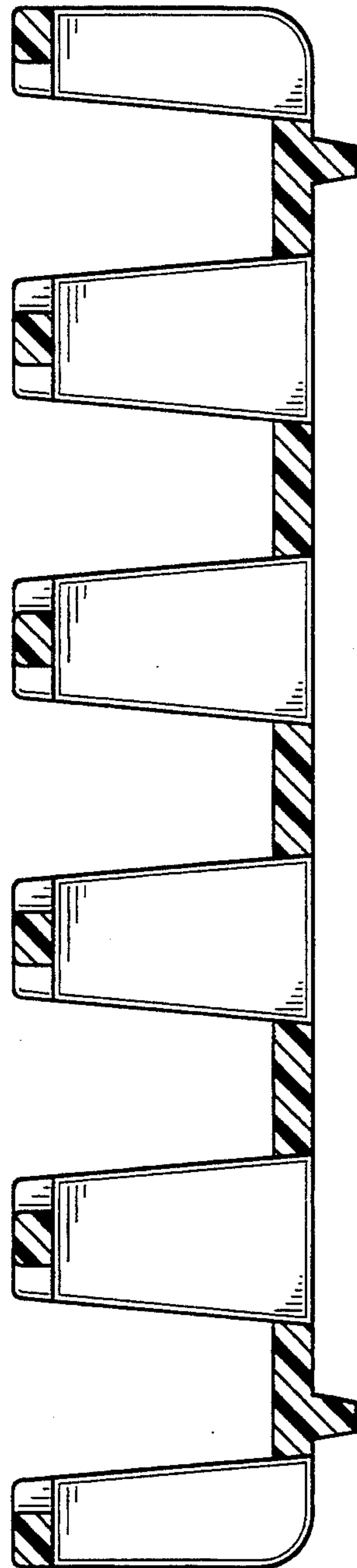


FIG-6