



US00D357090S

# United States Patent [19]

[11] Patent Number: **Des. 357,090**

**Hamrin**

[45] Date of Patent: **\*\* Apr. 4, 1995**

[54] **REFLECTOR FOR INFRARED RADIATION UNIT**

[56] **References Cited**

[75] Inventor: **Karl-Arvid Hamrin, Kungsör, Sweden**

**U.S. PATENT DOCUMENTS**

D. 312,125 11/1990 Epner et al. .... D23/386  
D. 348,118 6/1994 Hamrin ..... D26/118  
3,149,223 9/1964 Zimmerman ..... 362/345 X

[73] Assignee: **Infrarodteknik AB, Sweden**

*Primary Examiner*—Susan J. Lucas  
*Attorney, Agent, or Firm*—Davis, Bujold & Streck

[\*\*] Term: **14 Years**

[57] **CLAIM**

[21] Appl. No.: **1,570**

The ornamental design for a reflector for infrared radiation unit, as shown.

[22] Filed: **Nov. 16, 1992**

**DESCRIPTION**

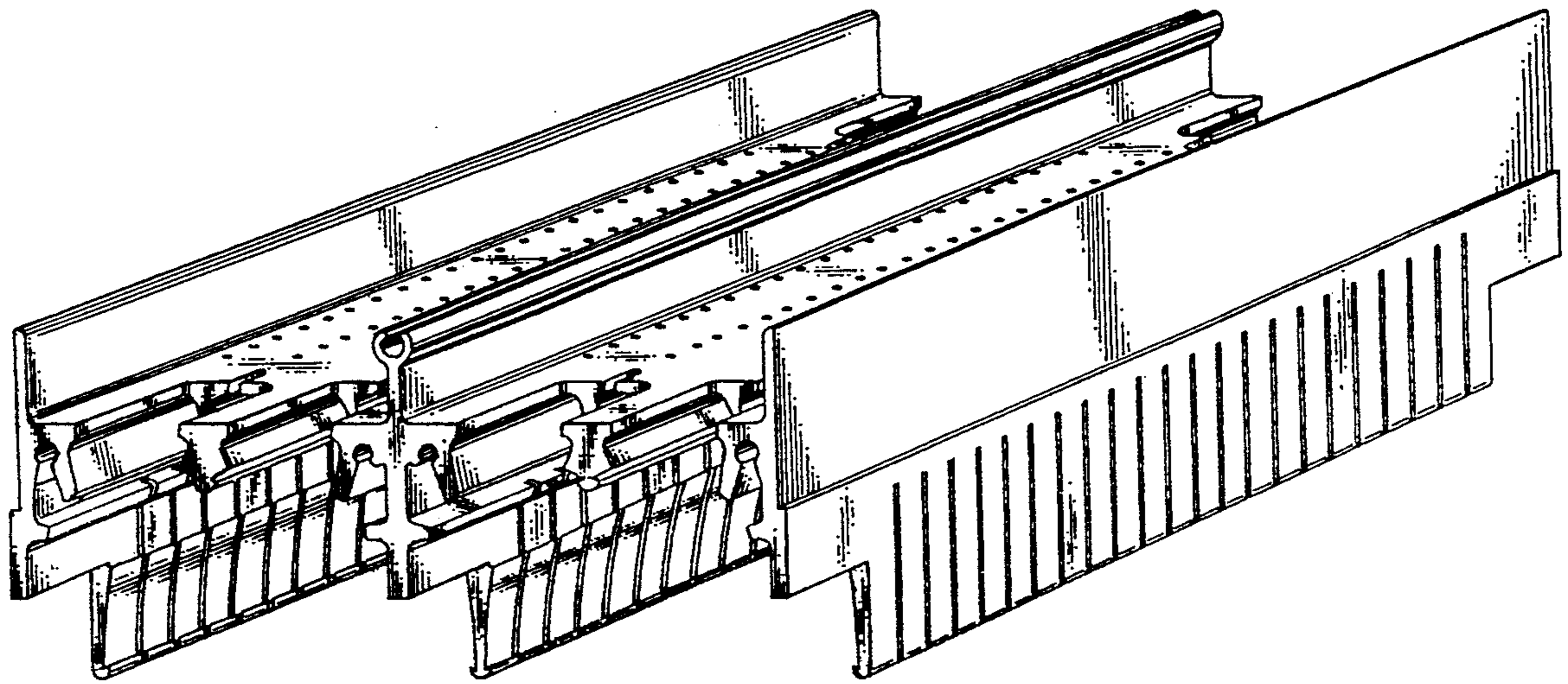
[30] **Foreign Application Priority Data**

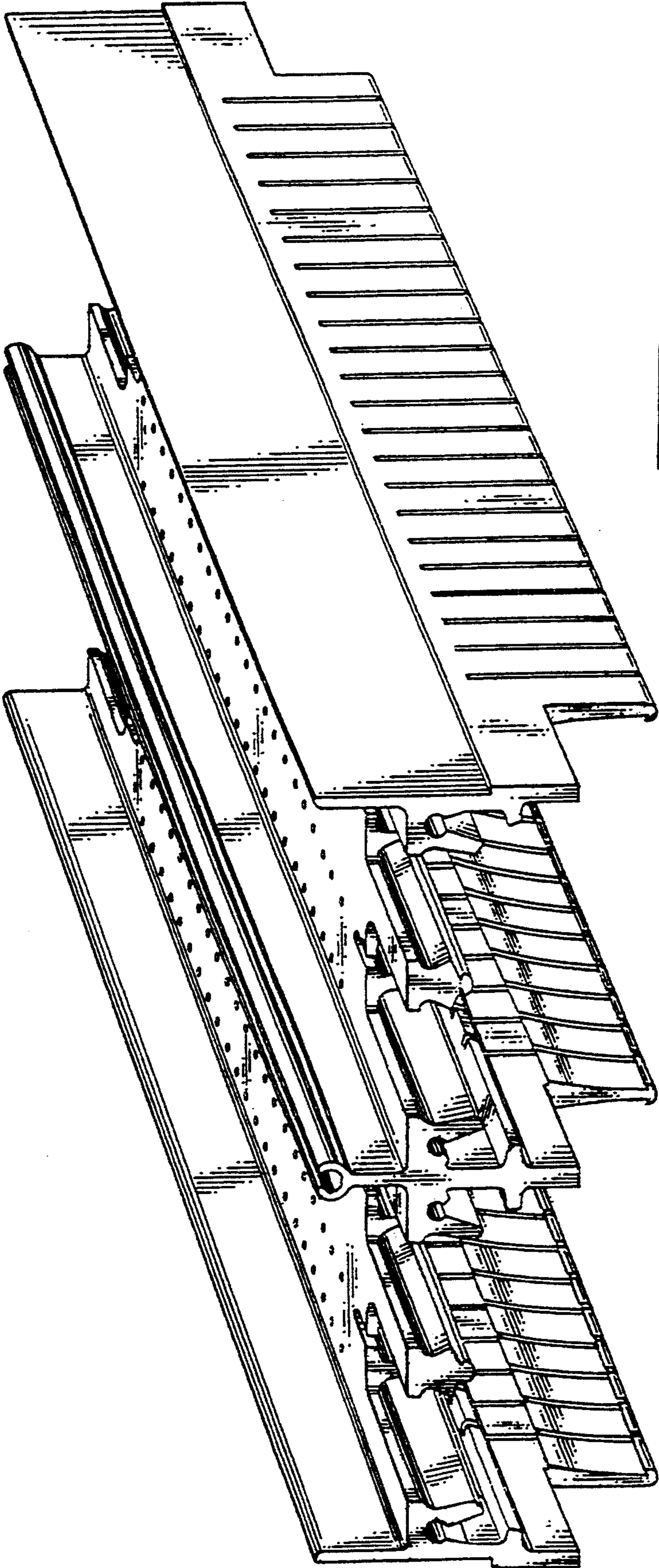
May 14, 1992 [NO] Norway ..... 920401

[52] U.S. Cl. .... **D26/118; D23/386**

[58] Field of Search ..... 362/217-224,  
362/341, 345-349; D26/118; 219/375, 520,  
552, 553; D23/328, 386

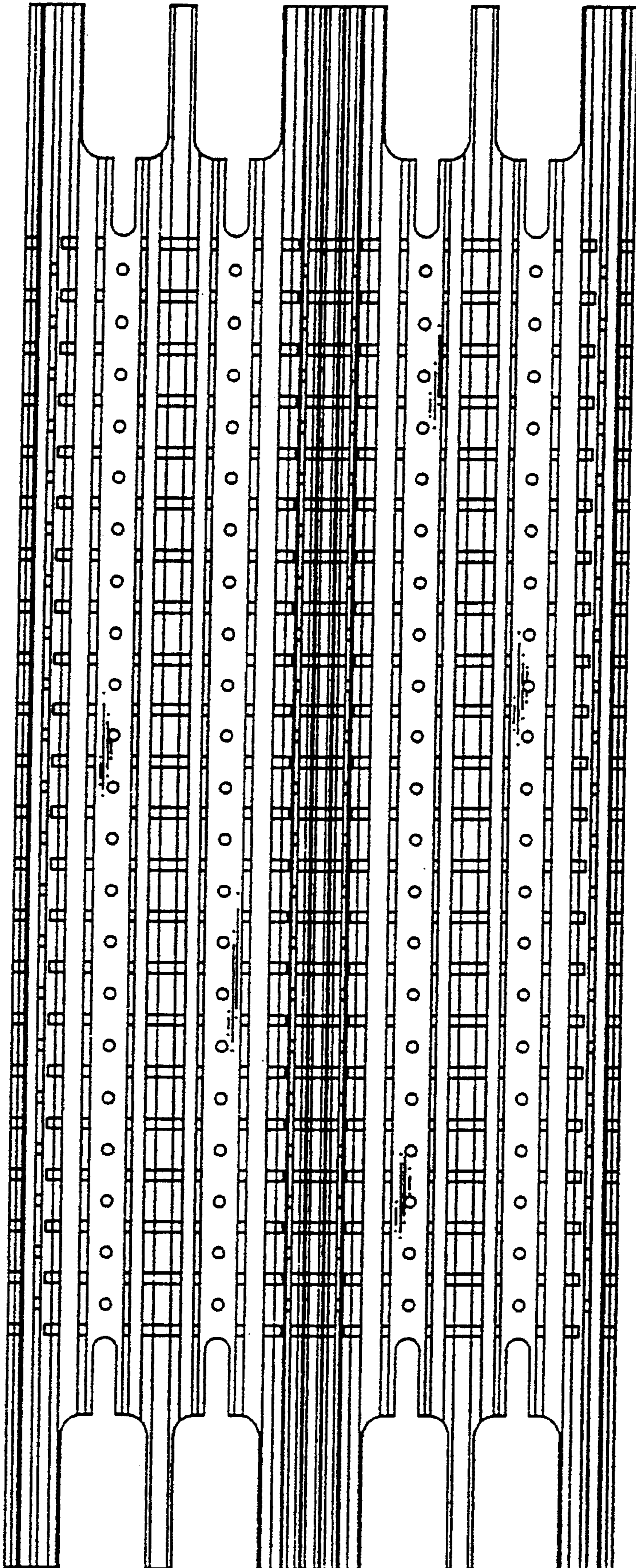
FIG. 1 is a perspective view from above;  
FIG. 2 is a bottom plan view;  
FIG. 3 is a side elevational view from left or right in FIG. 2;  
FIG. 4 is a top plan view; and,  
FIG. 5 is an end view showing either end of the section according to FIGS. 1-4.



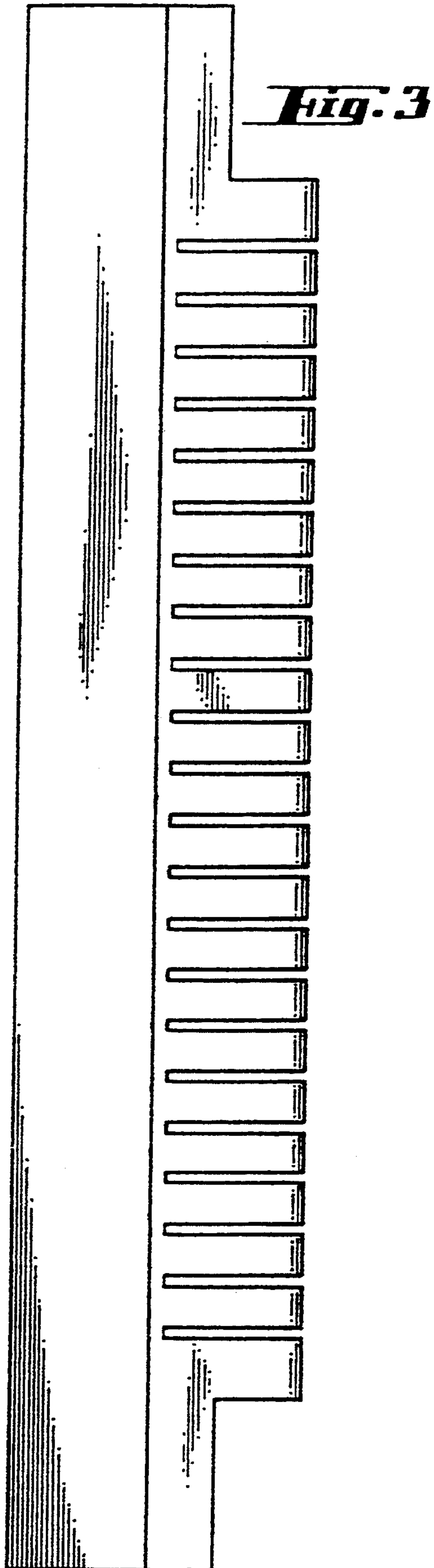


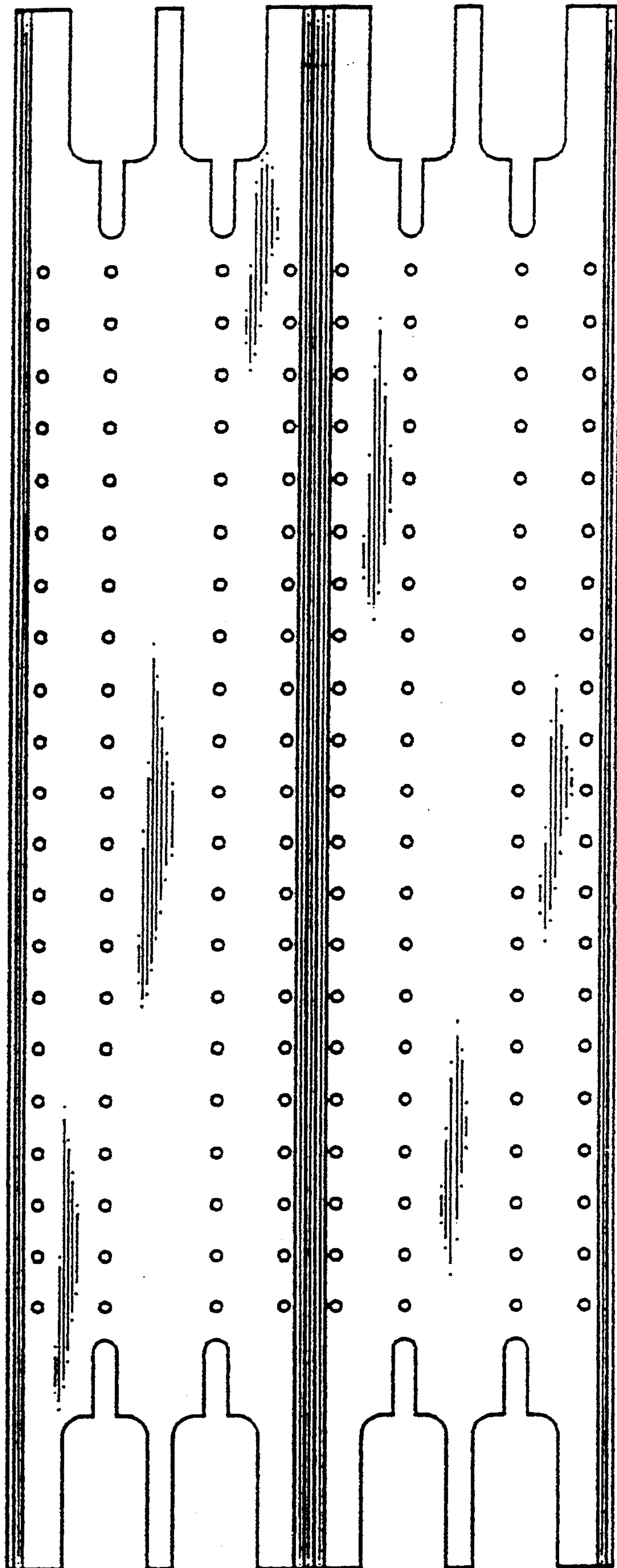
**Fig. 1**



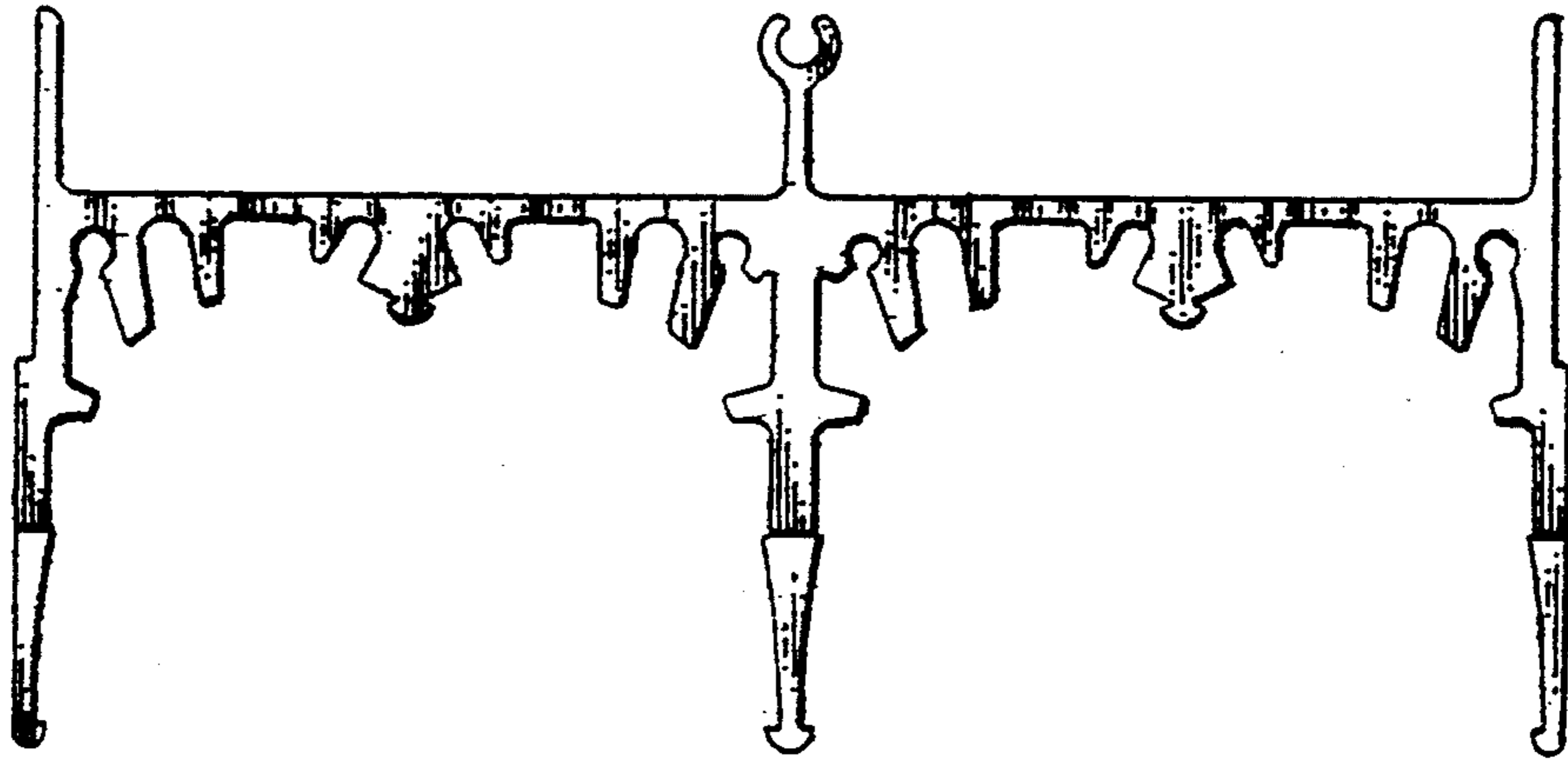


**Fig. 2**





**Fig. 4**



***Fig. 5***