



US00D357086S

United States Patent [19]

[11] Patent Number: **Des. 357,086**

Poon

[45] Date of Patent: **** Apr. 4, 1995**

[54] **ELECTRIC LANTERN**

[75] Inventor: **Tit Y. Poon, Chaiwan, Hong Kong**

[73] Assignee: **Flying Dragon Development Ltd.,
Hong Kong, Hong Kong**

[**] Term: **14 Years**

[21] Appl. No.: **14,825**

[22] Filed: **Oct. 29, 1993**

[52] U.S. Cl. **D26/48**

[58] Field of Search **D26/37-50;
362/157, 158, 183, 184, 187-191, 196-200**

[56] **References Cited**

U.S. PATENT DOCUMENTS

- D. 239,557 4/1976 Nicholl D26/48
- D. 337,644 7/1993 Stearns et al. D26/48

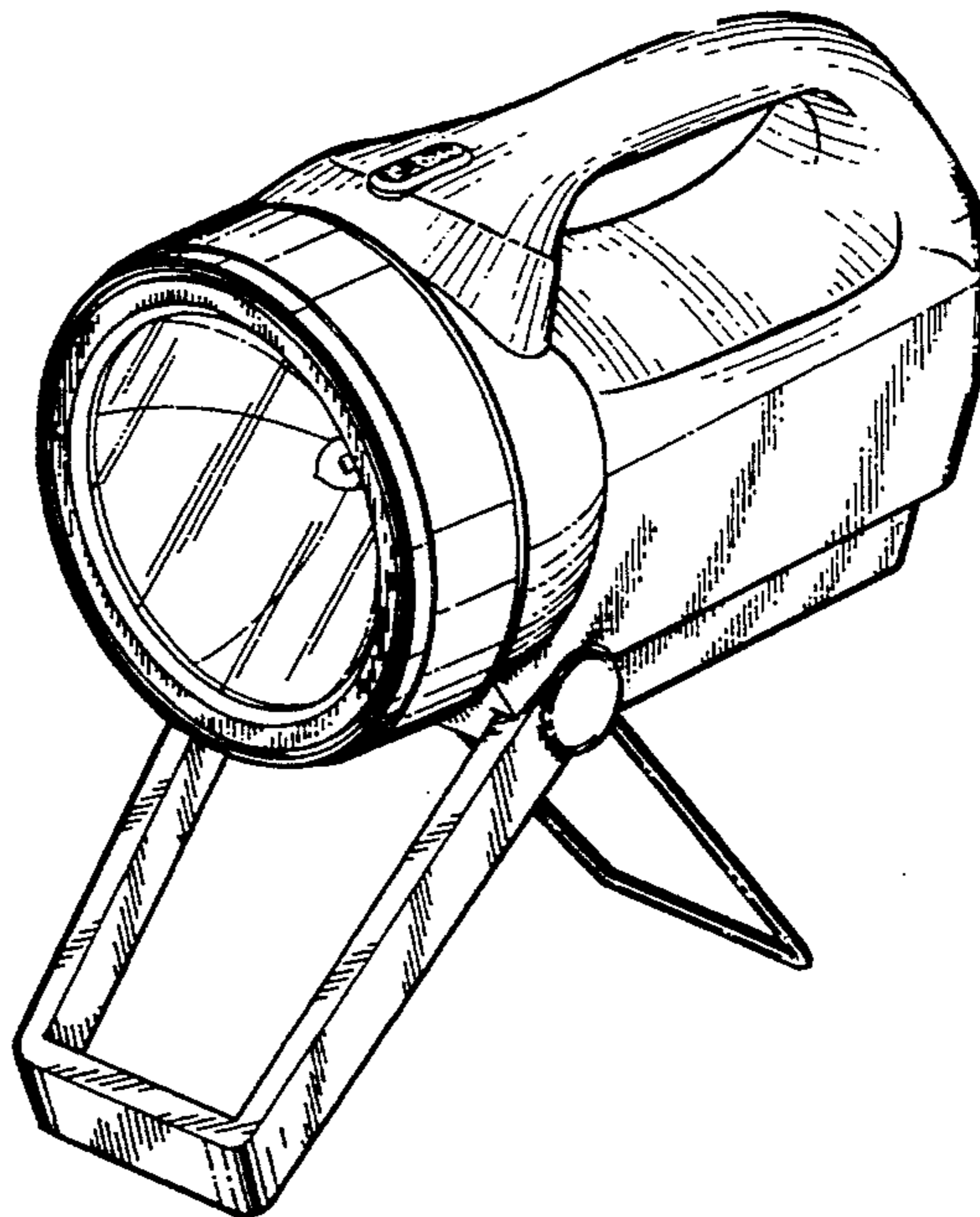
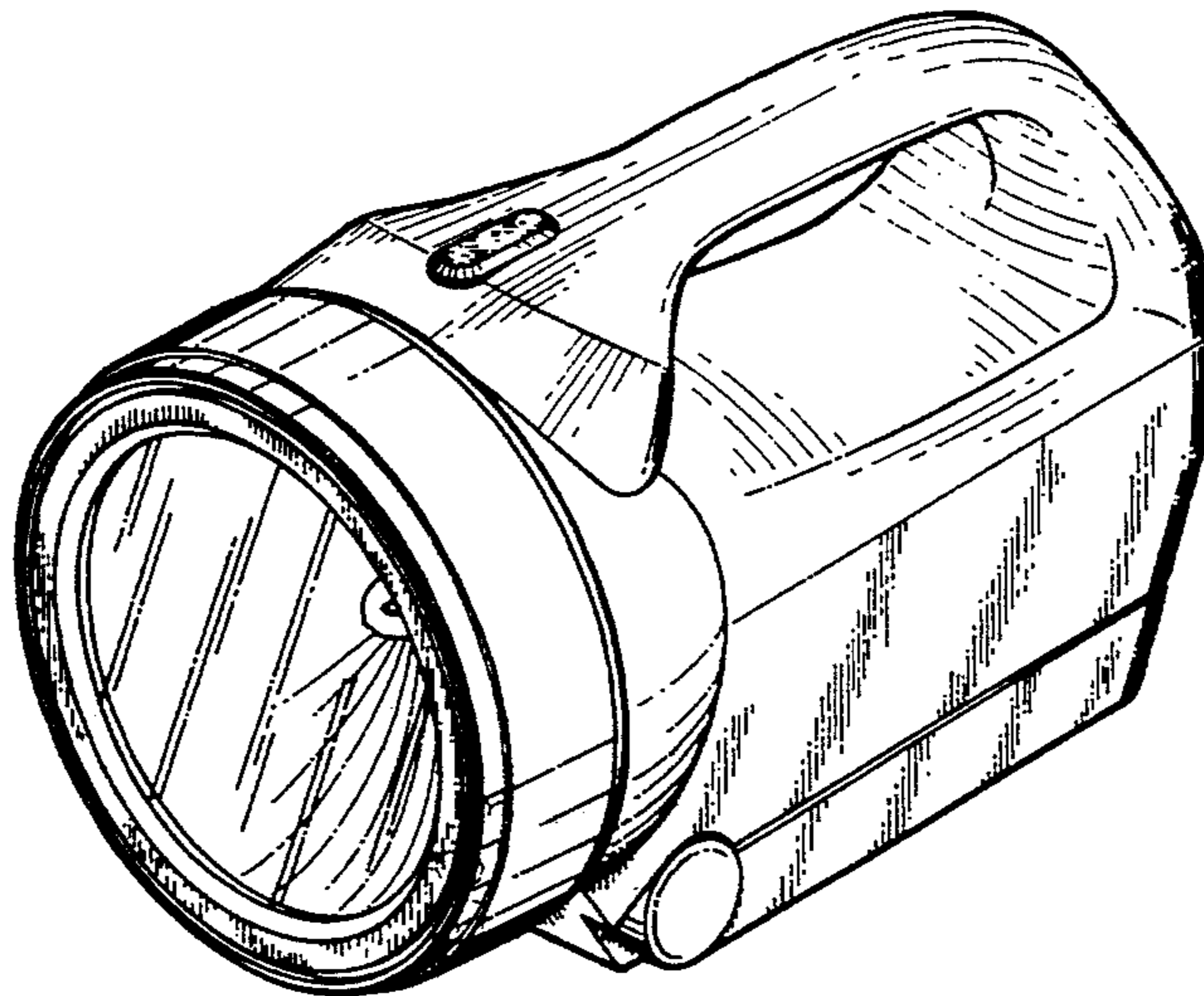
Primary Examiner—Susan J. Lucas
Attorney, Agent, or Firm—Samuels, Gauthier & Stevens

[57] **CLAIM**

The ornamental design for a electric lantern, as shown and described.

DESCRIPTION

FIG. 1 is a perspective view of an electric lantern showing my new design;
 FIG. 2 is a perspective view with legs extended thereof;
 FIG. 3 is another perspective view with legs extended thereof;
 FIG. 4 is a side view thereof, the opposite side being a mirror image;
 FIG. 5 is a top plan view thereof;
 FIG. 6 is a bottom plan view thereof;
 FIG. 7 is a front elevation view thereof; and,
 FIG. 8 is a rear elevation view thereof.



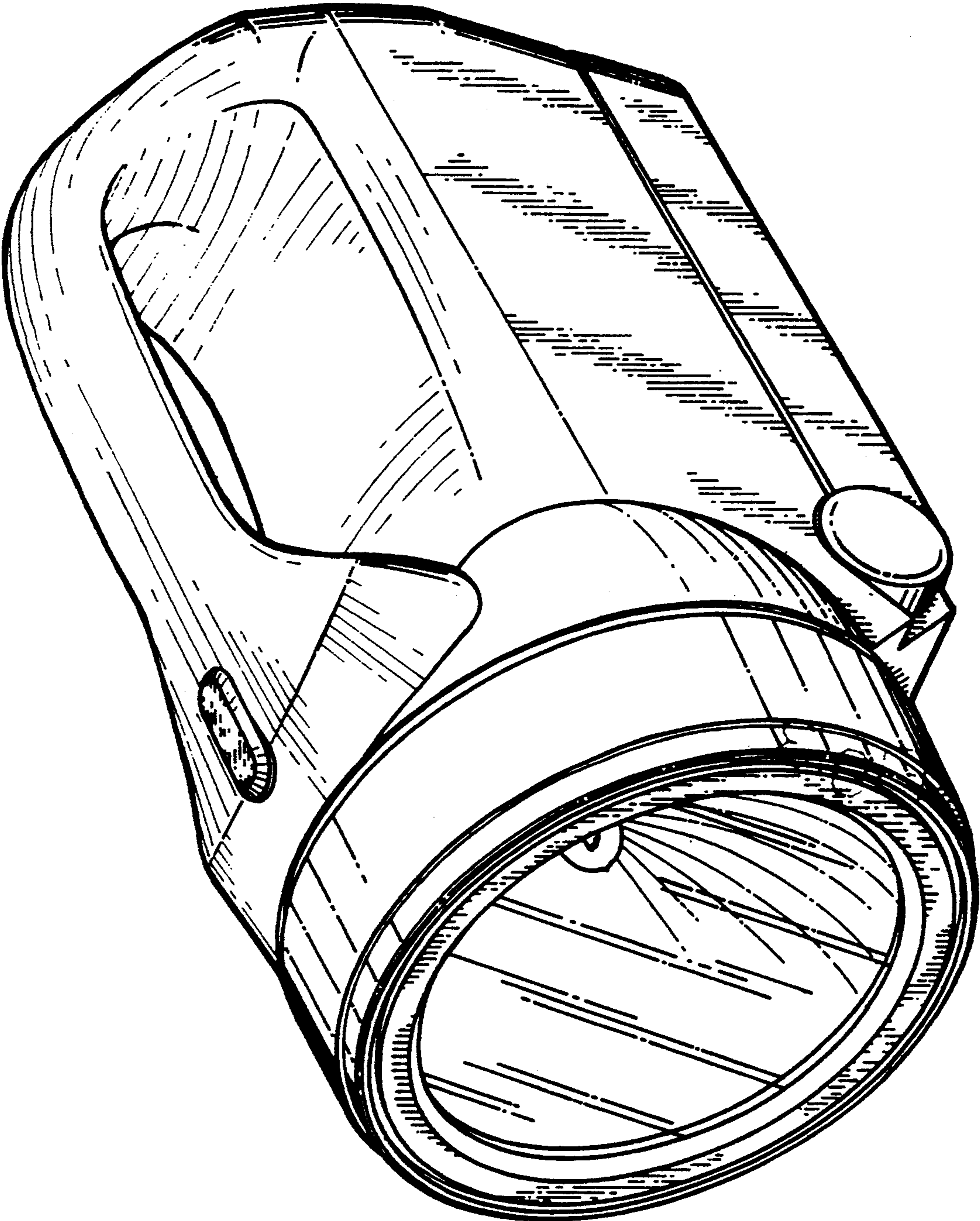


FIG. 1

FIG. 2

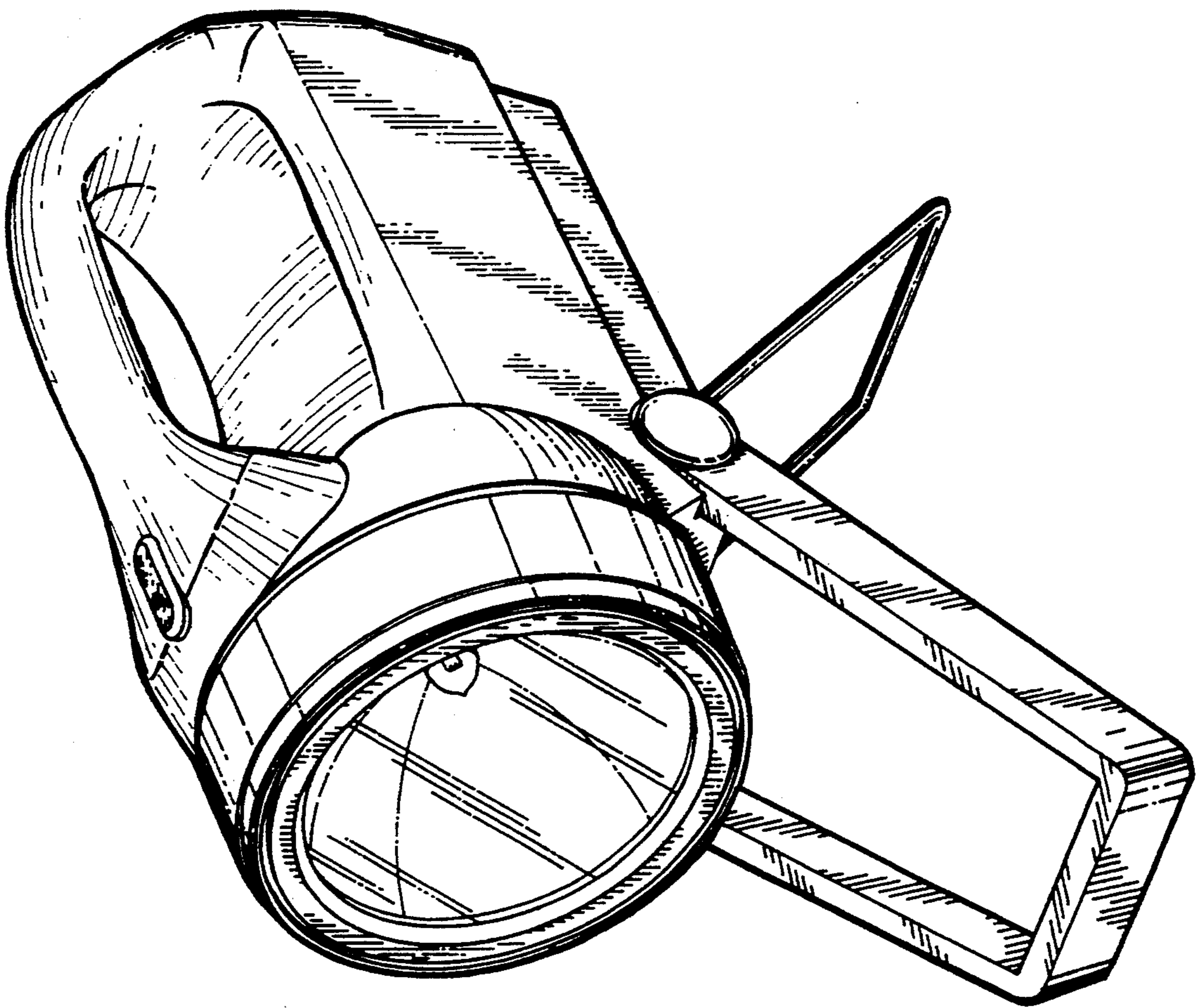
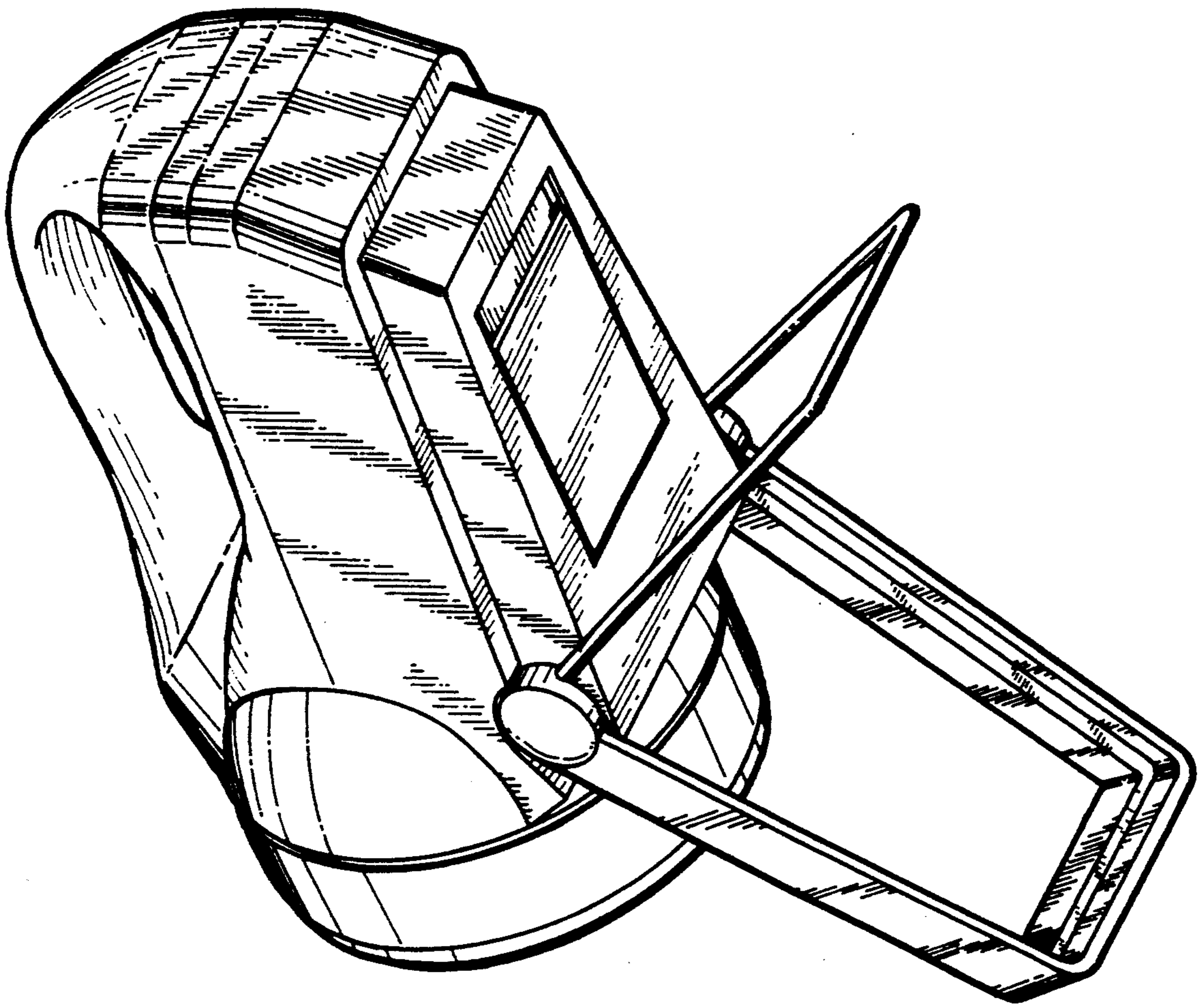


FIG. 3



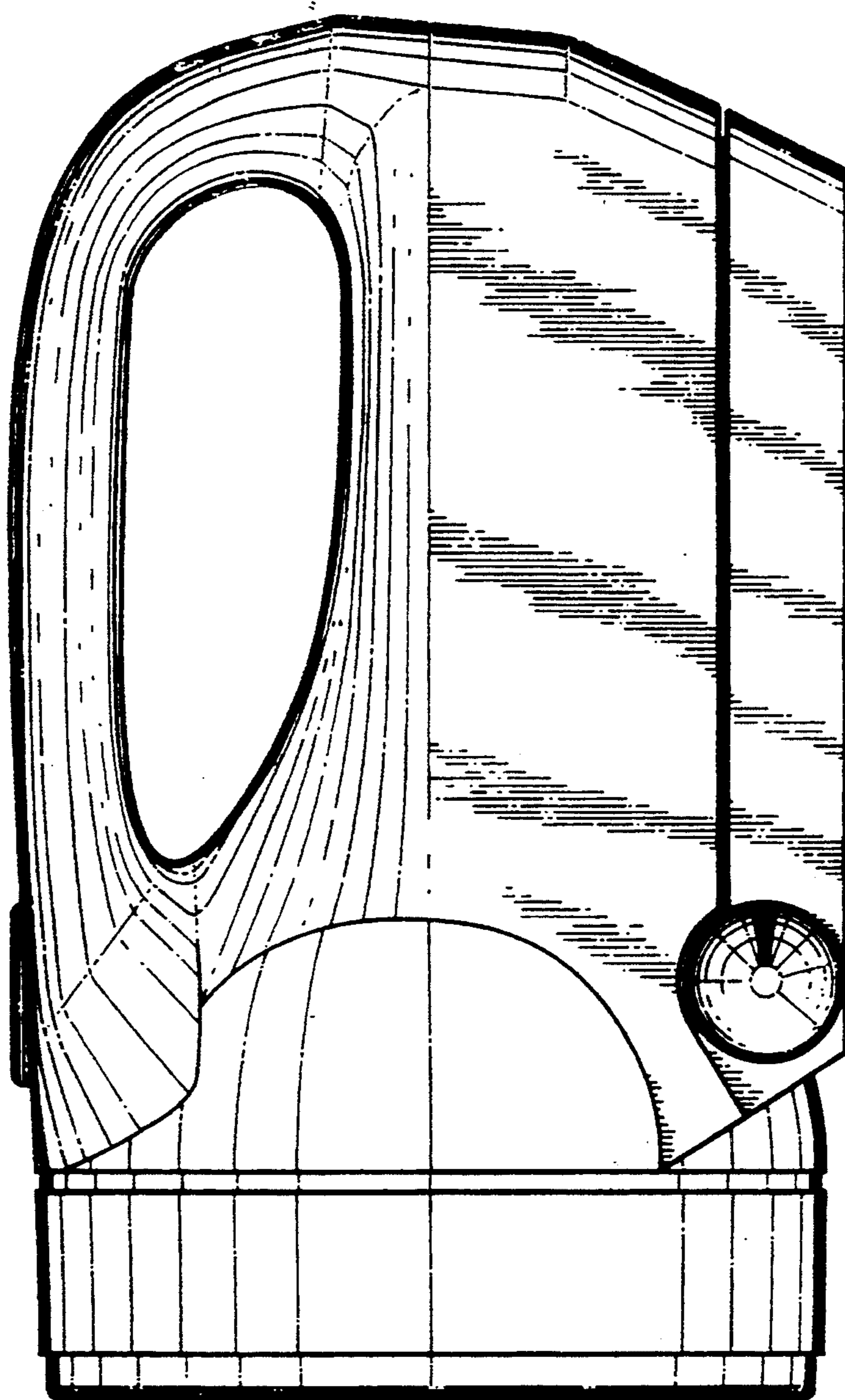


FIG. 4

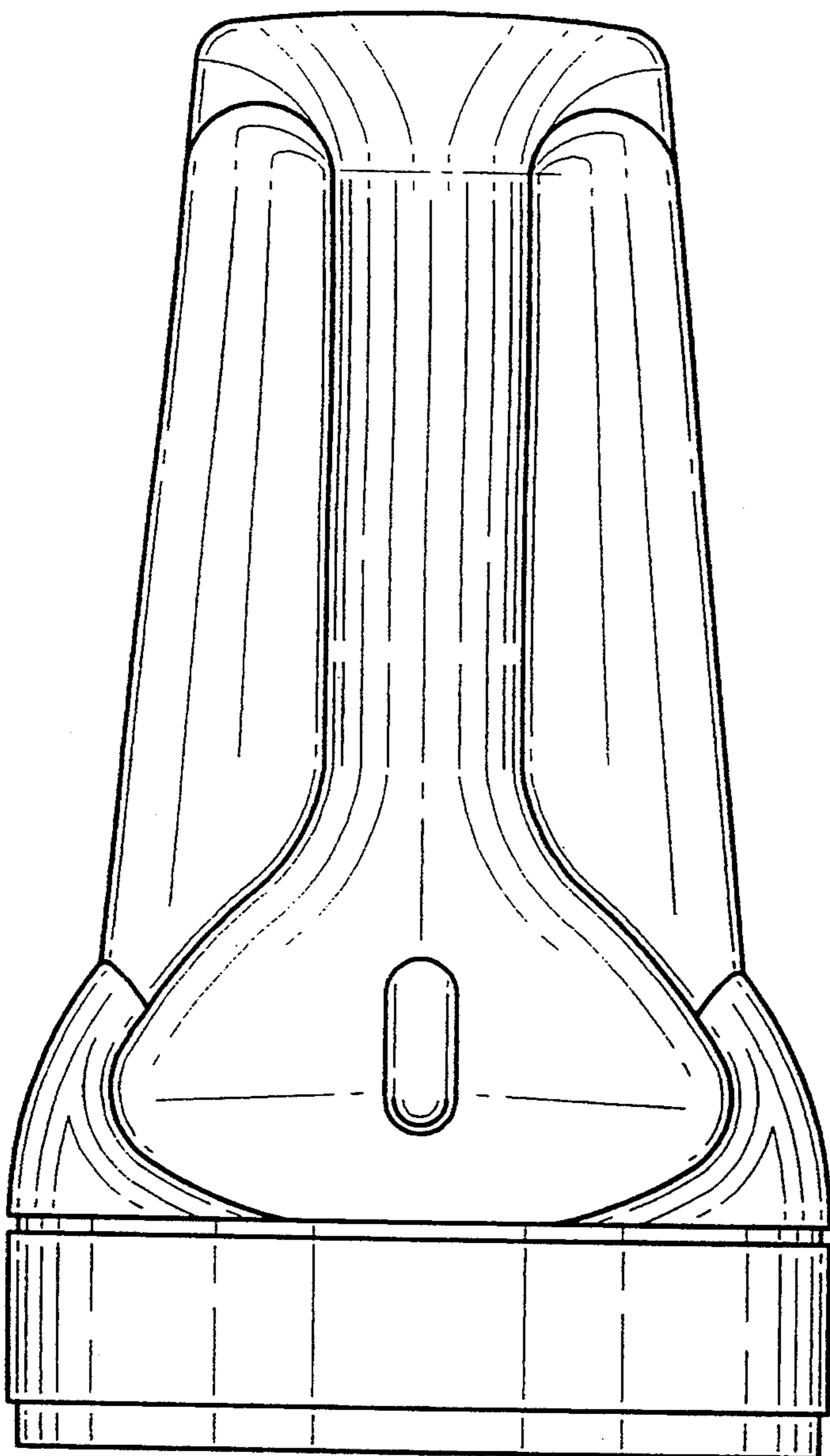


FIG. 5

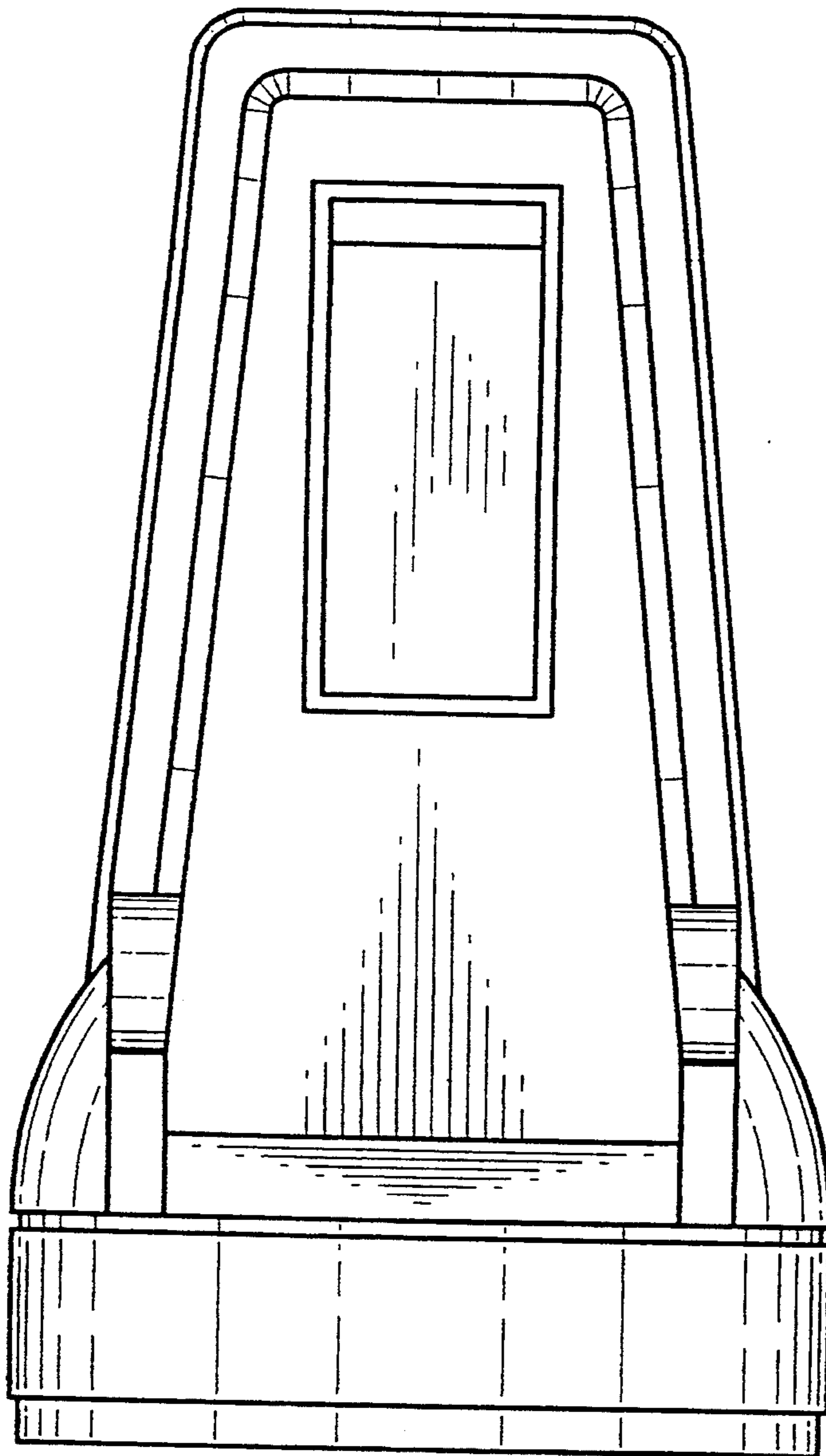


FIG. 6

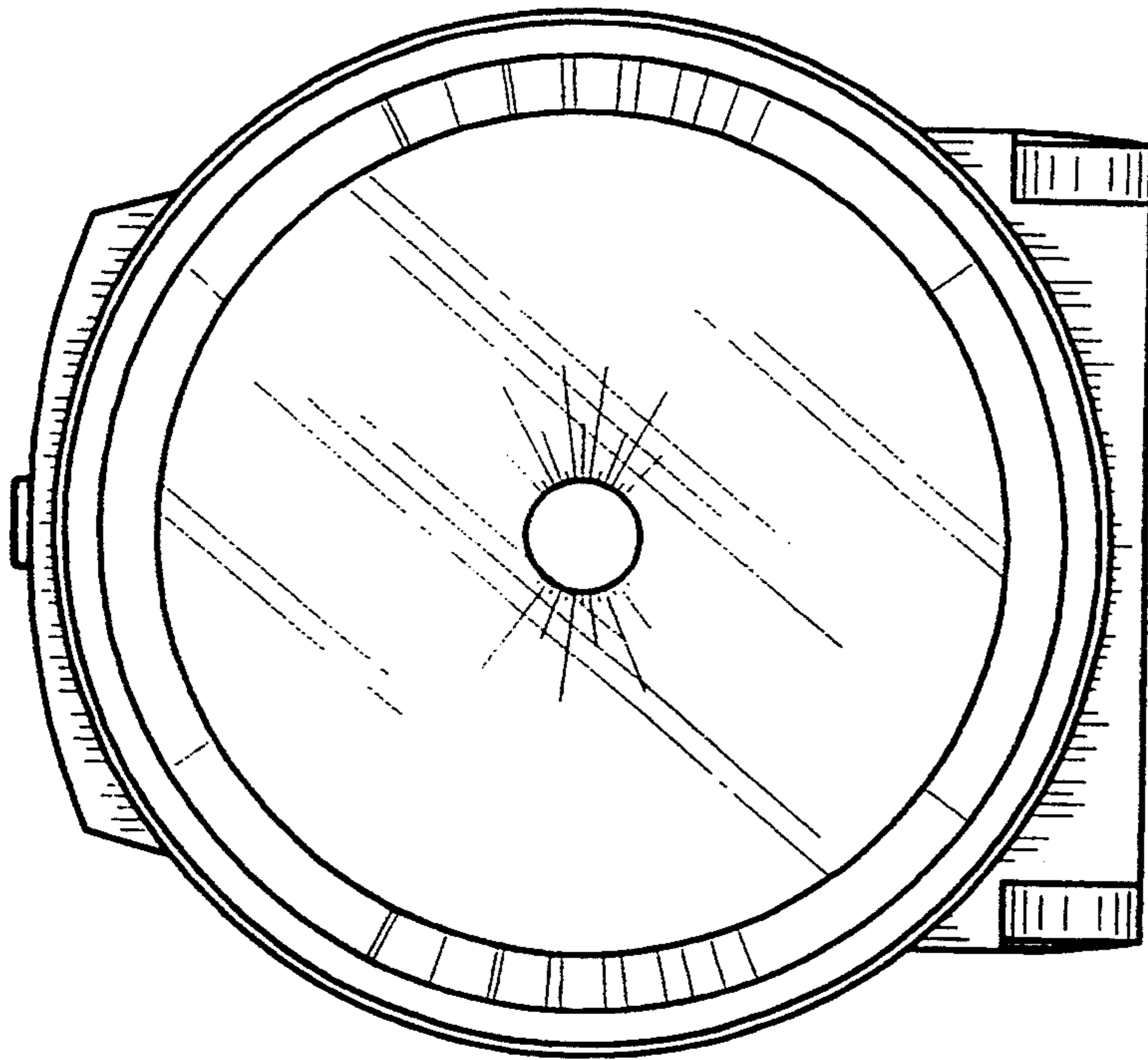


FIG. 7

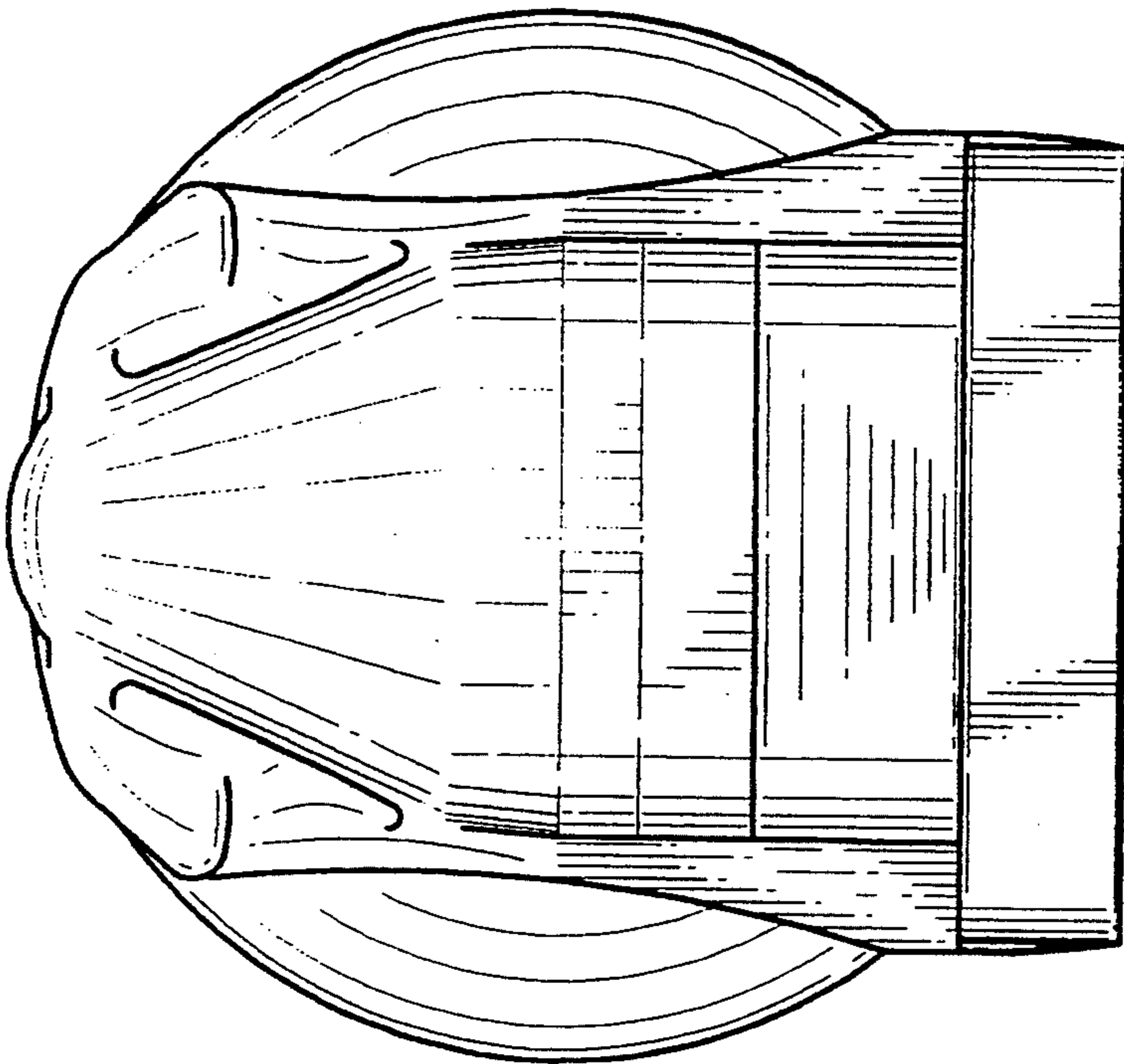


FIG. 8