



US00D357084S

United States Patent [19]

[11] Patent Number: **Des. 357,084**

Ratia et al.

[45] Date of Patent: **** Apr. 4, 1995**

[54] **CANDLE HOLDER**

[75] Inventors: **Ristomatti Ratia; Lance Friedman,**
both of Chicago, Ill.

[73] Assignee: **Design Ideas, Ltd.,** Springfield, Ill.

[**] Term: **14 Years**

[21] Appl. No.: **23,013**

[22] Filed: **May 23, 1994**

[52] U.S. Cl. **D26/9**

[58] Field of Search **D26/9-11,**
D26/20-22; 431/288-293, 310-311, 320;
362/161-163

[56] **References Cited**

U.S. PATENT DOCUMENTS

D. 301,749	6/1989	Comstock	D26/9
2,680,963	6/1954	Churchill	D26/6
3,958,917	5/1976	Naz	431/289

Primary Examiner—Brian N. Vinson
Assistant Examiner—Robin V. Taylor

Attorney, Agent, or Firm—Saidman Design Law Group

[57] **CLAIM**

The ornamental design for a candle holder, as shown and described.

DESCRIPTION

FIG. 1 is a perspective view of a candle holder showing our new design;

FIG. 2 is a rear view in elevation thereof;

FIG. 3 is a front view in elevation thereof;

FIG. 4 is a left side view thereof;

FIG. 5 is a right side view thereof;

FIG. 6 is a top view thereof;

FIG. 7 is a bottom view thereof;

FIG. 8 is a perspective view of a second embodiment of a candle holder showing our new design;

FIG. 9 is a rear view in elevation thereof;

FIG. 10 is a front view in elevation thereof;

FIG. 11 is a left side view thereof;

FIG. 12 is a right side view thereof;

FIG. 13 is a top view thereof; and,

FIG. 14 is a bottom view thereof.

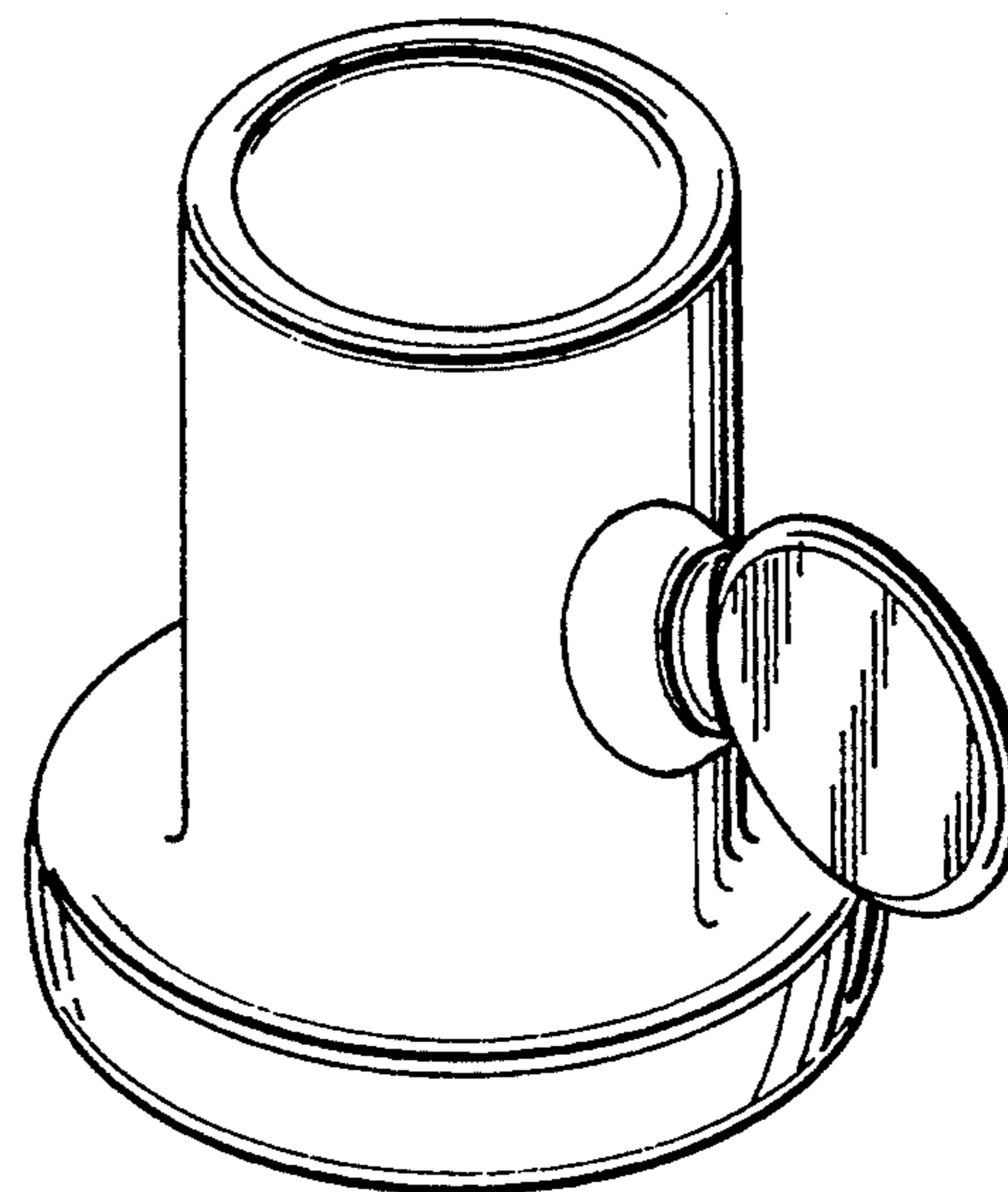
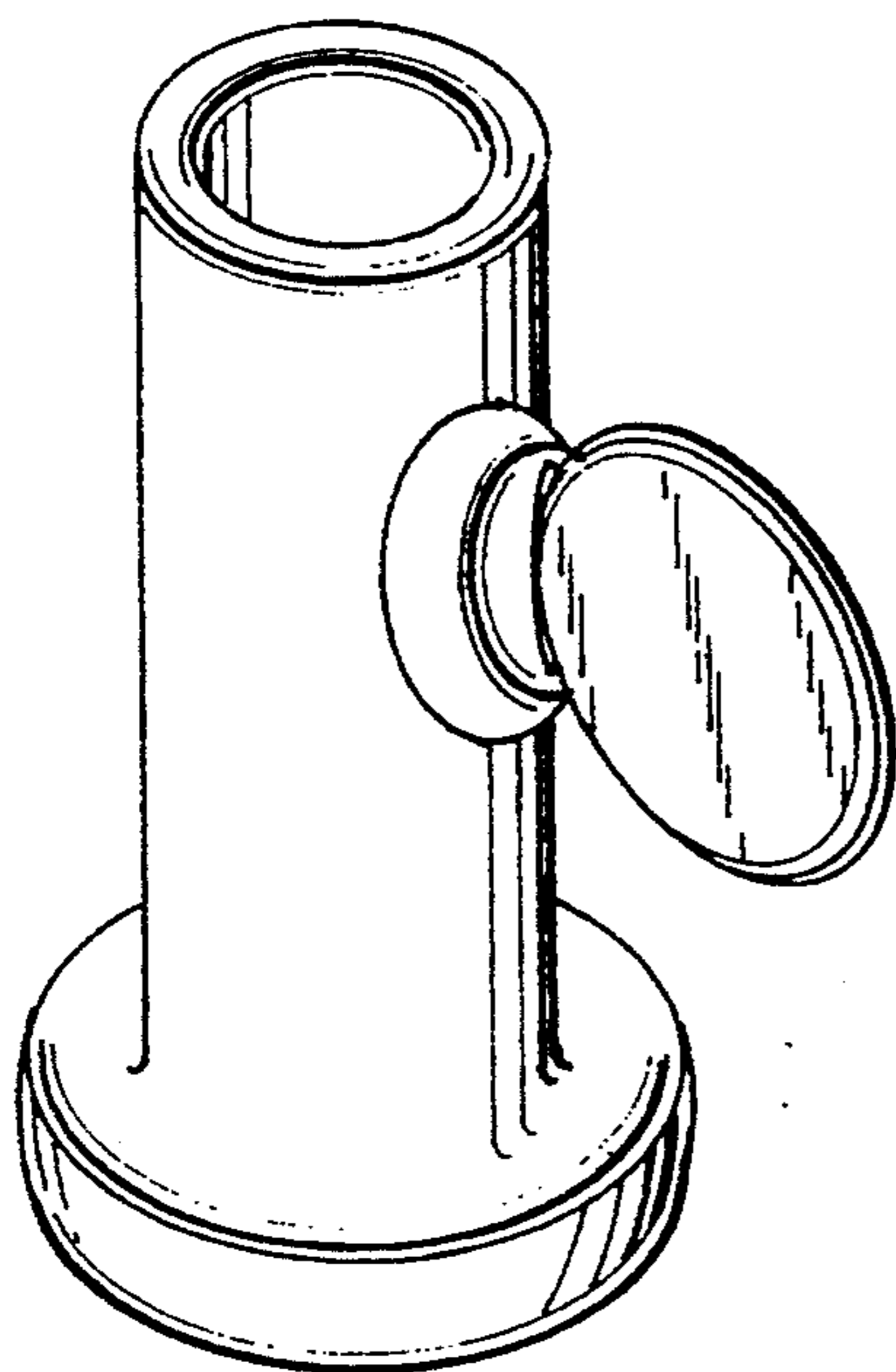


FIG. 1

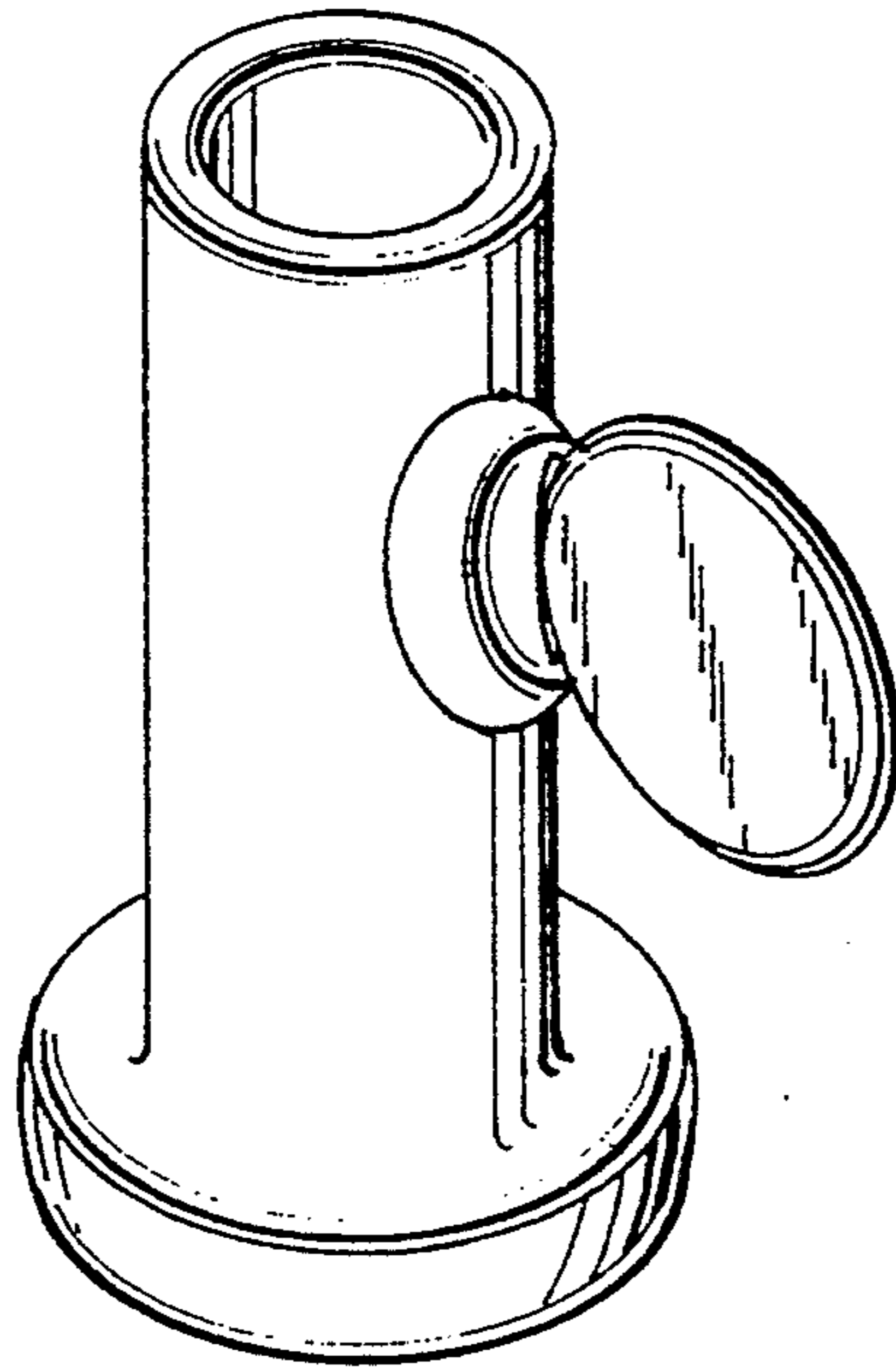


FIG. 6

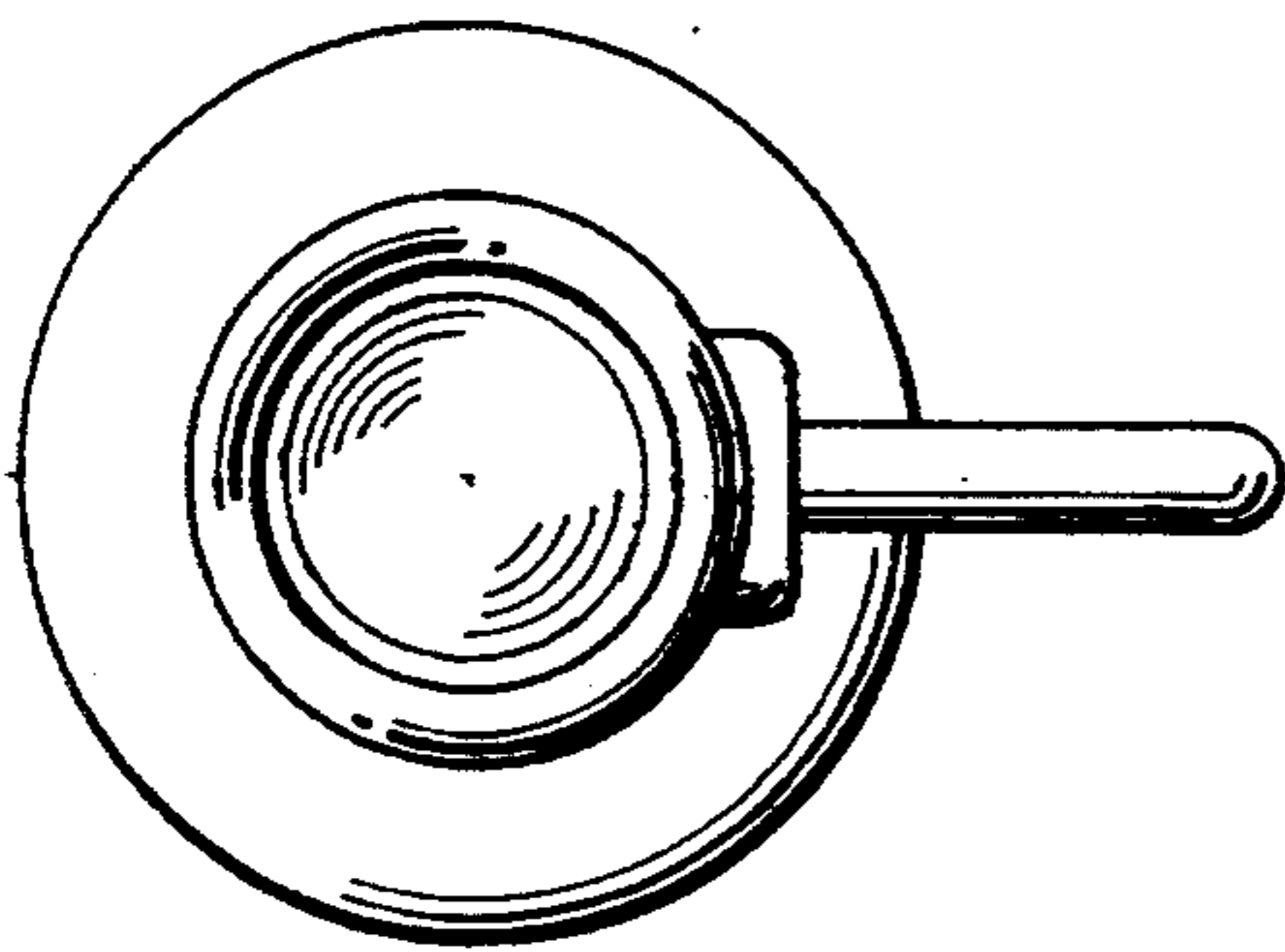
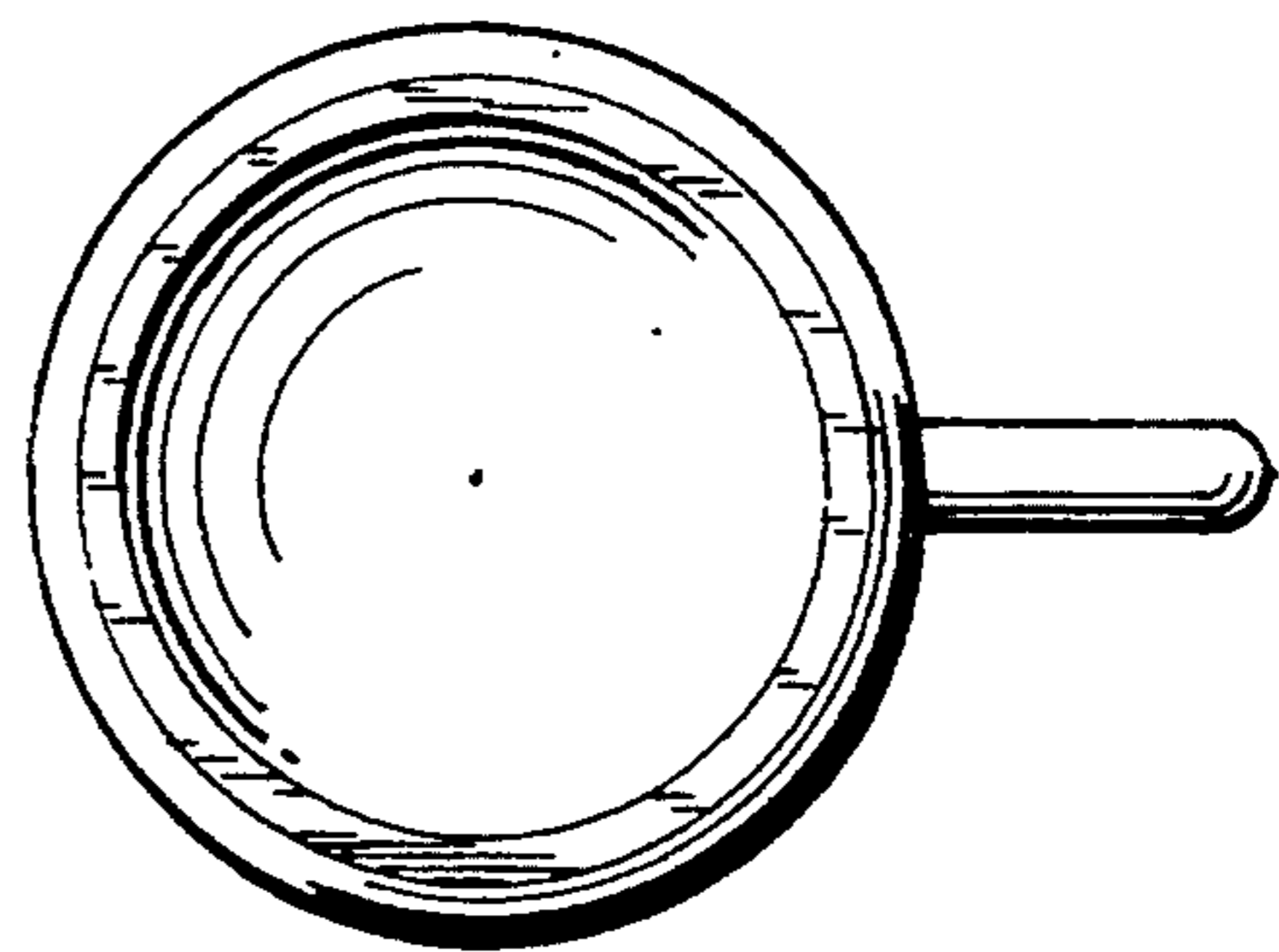


FIG. 7



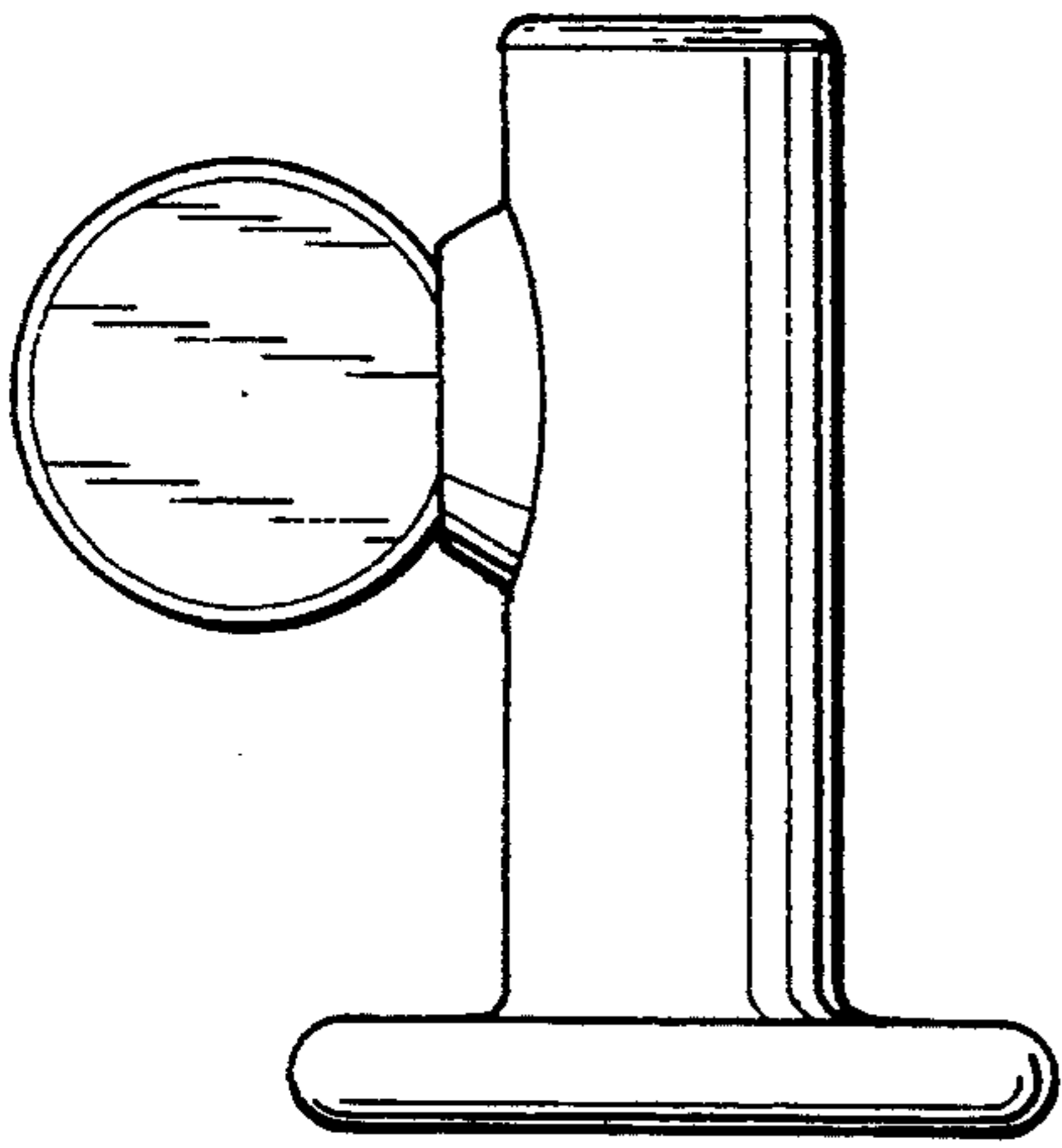


FIG. 2

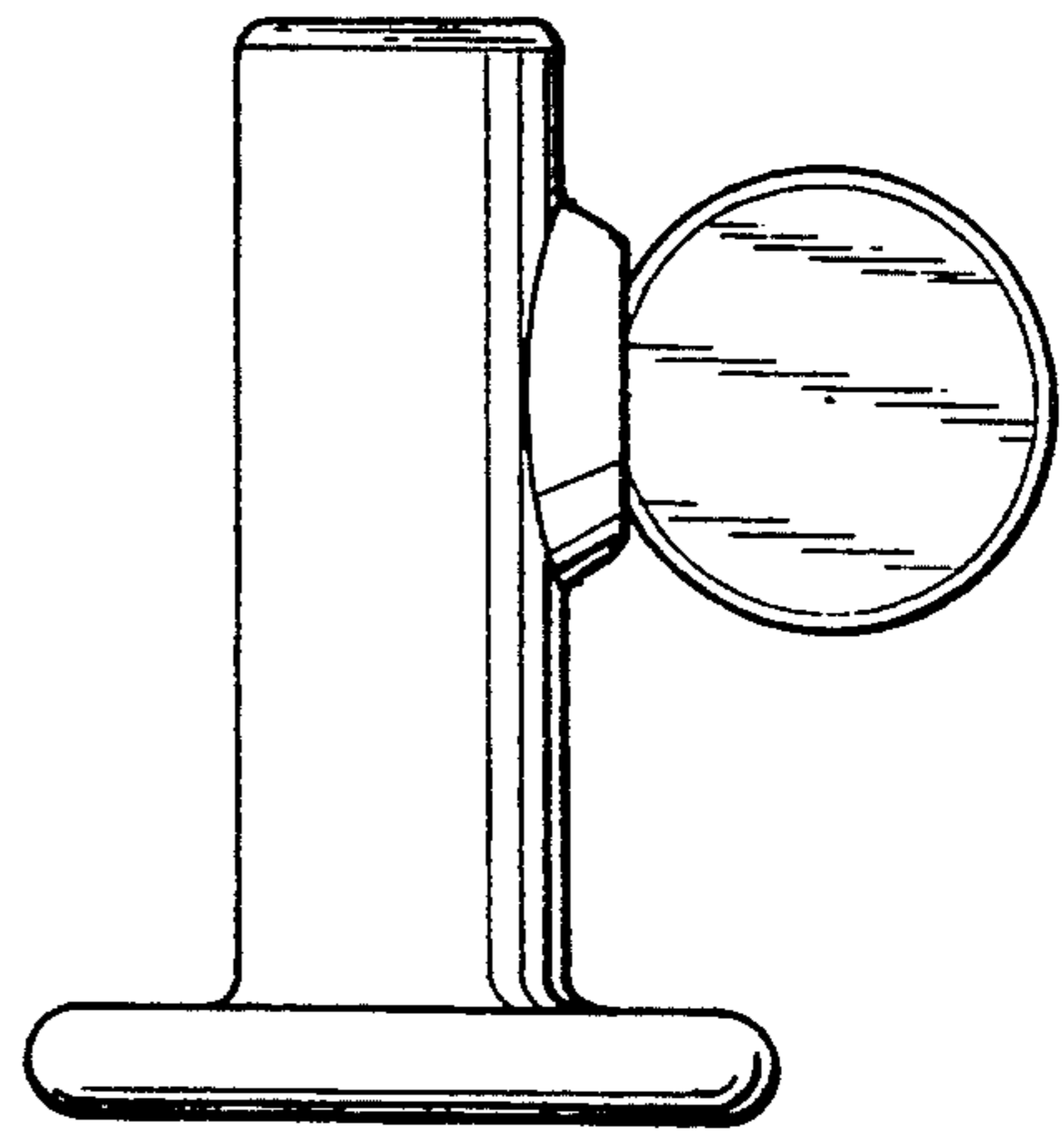


FIG. 3

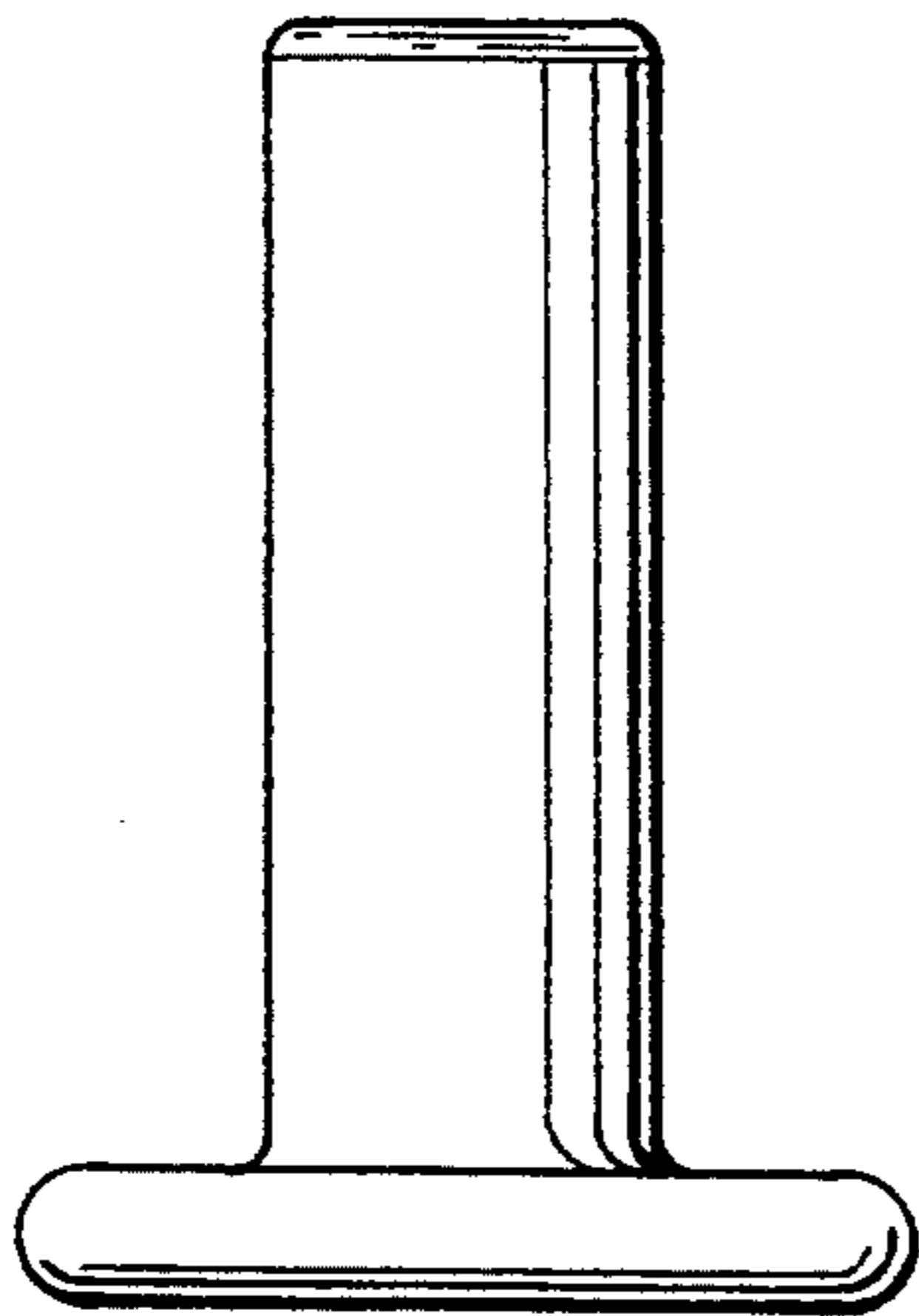


FIG. 4

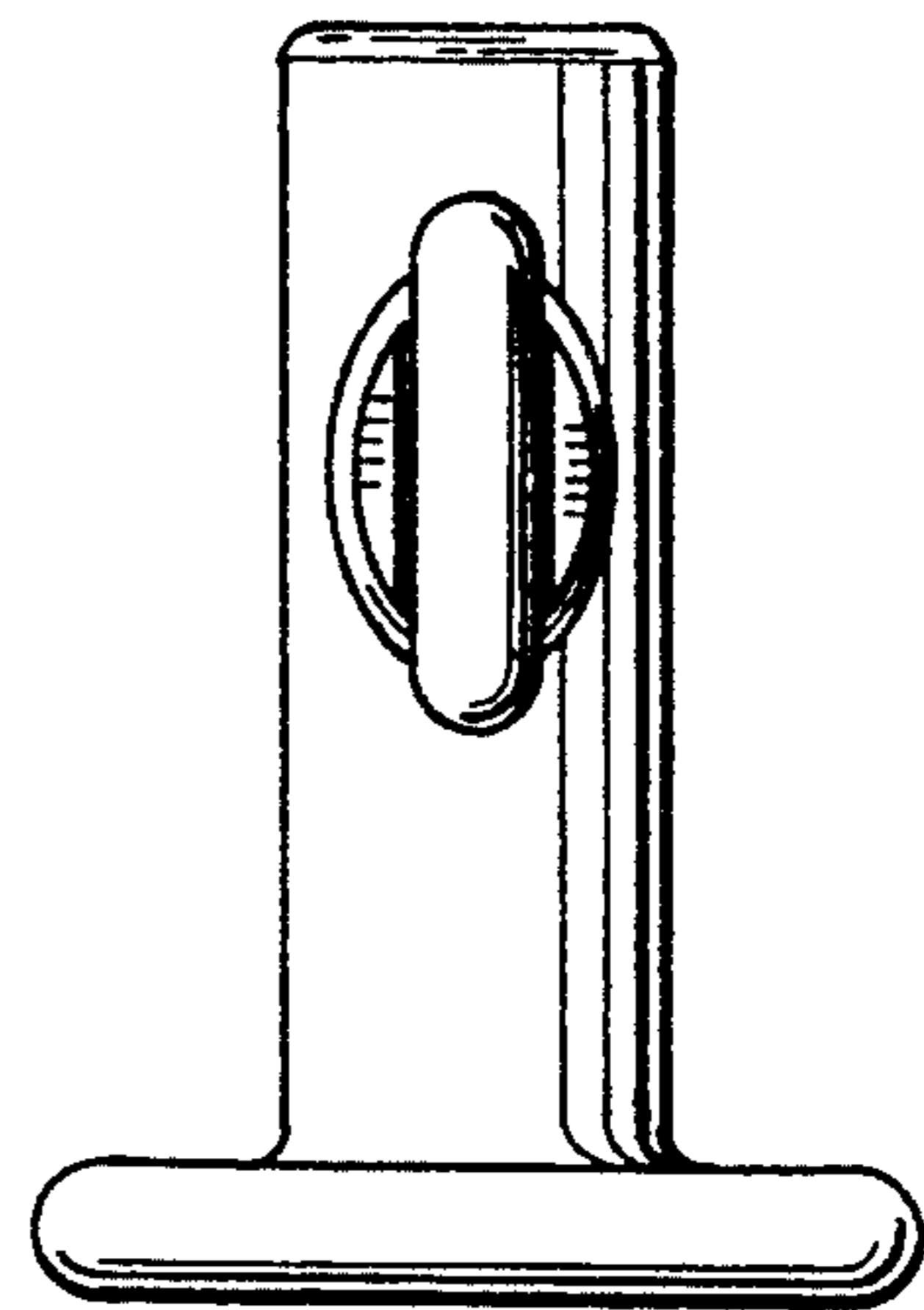


FIG. 5

FIG. 8

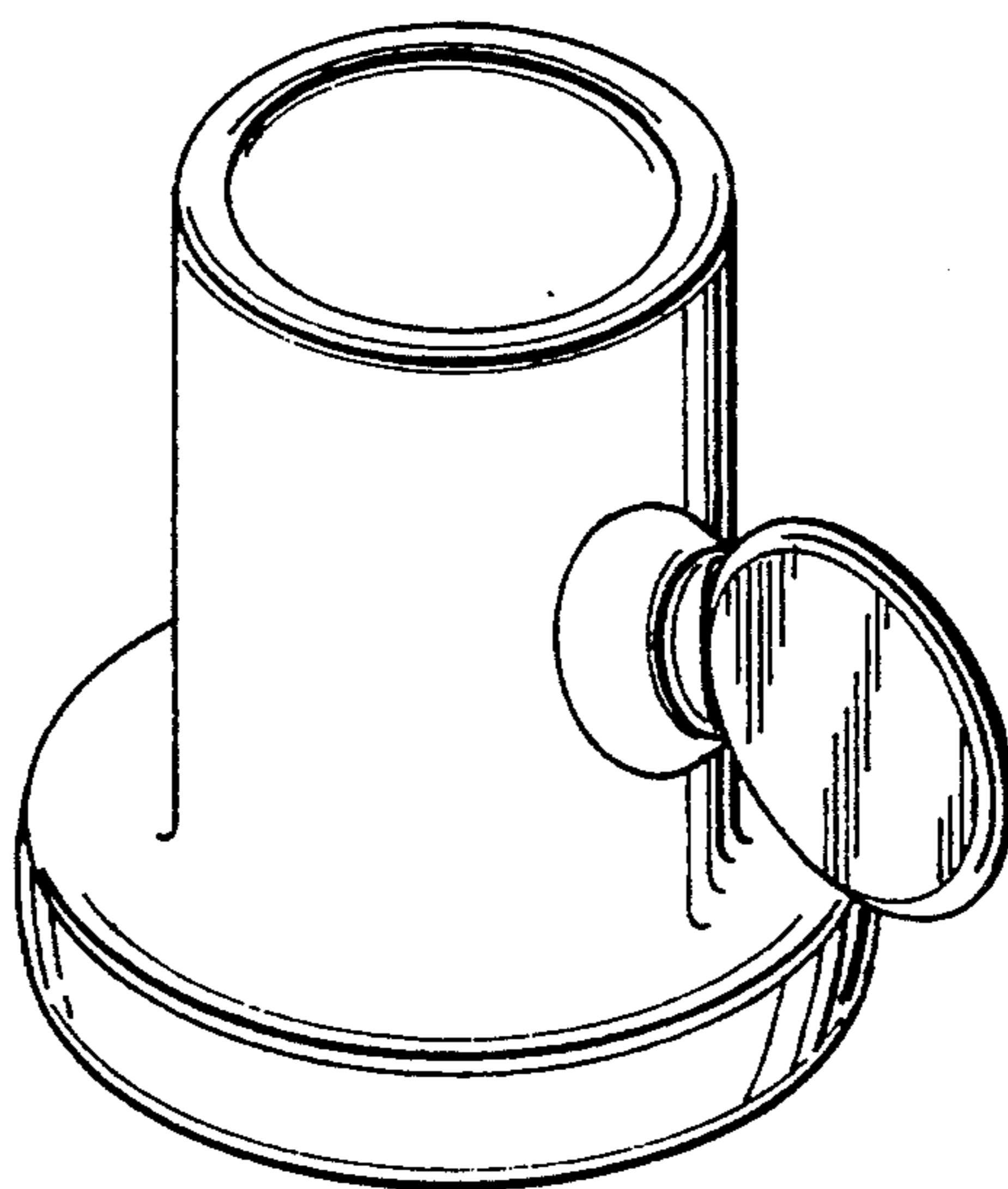


FIG. 13

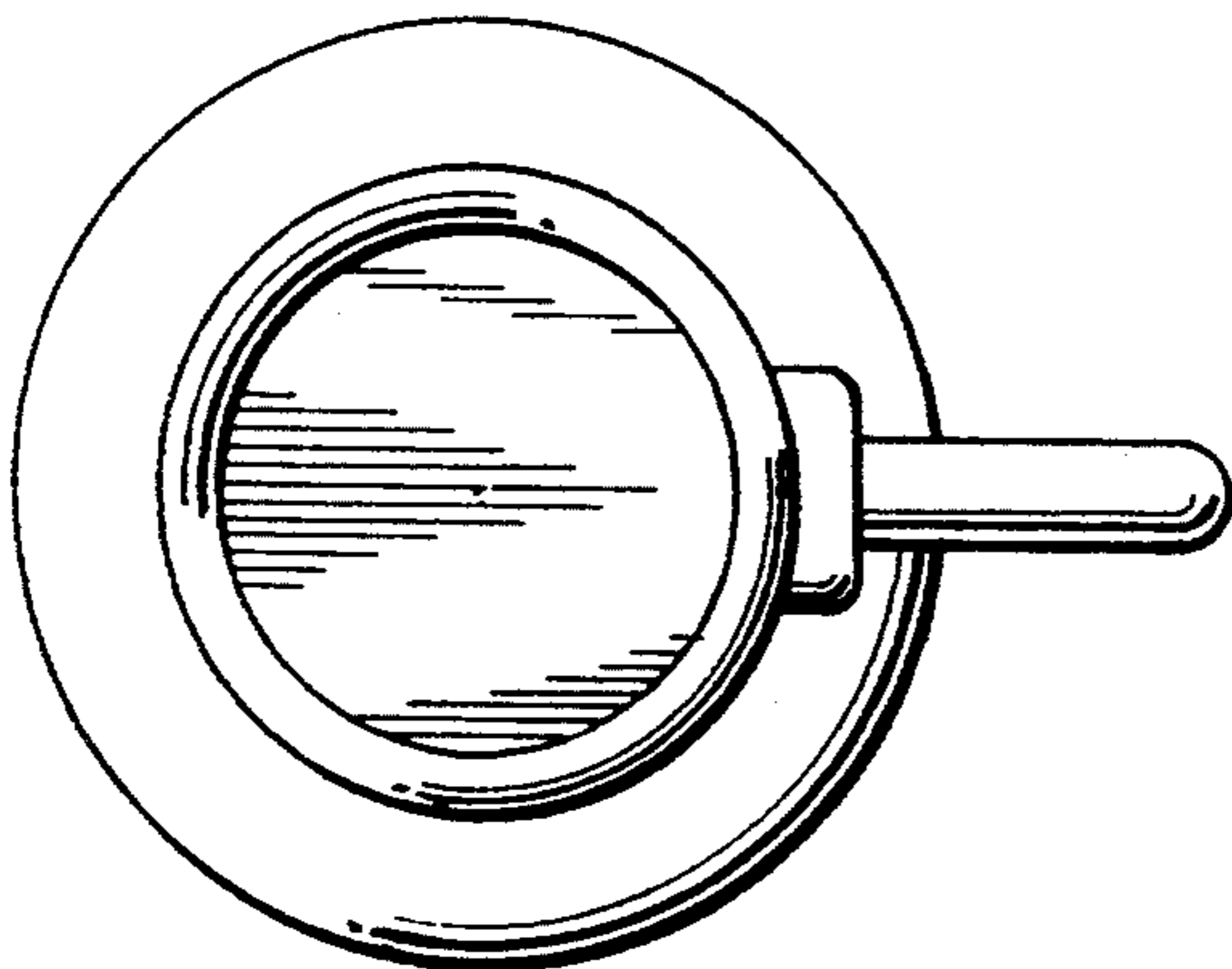
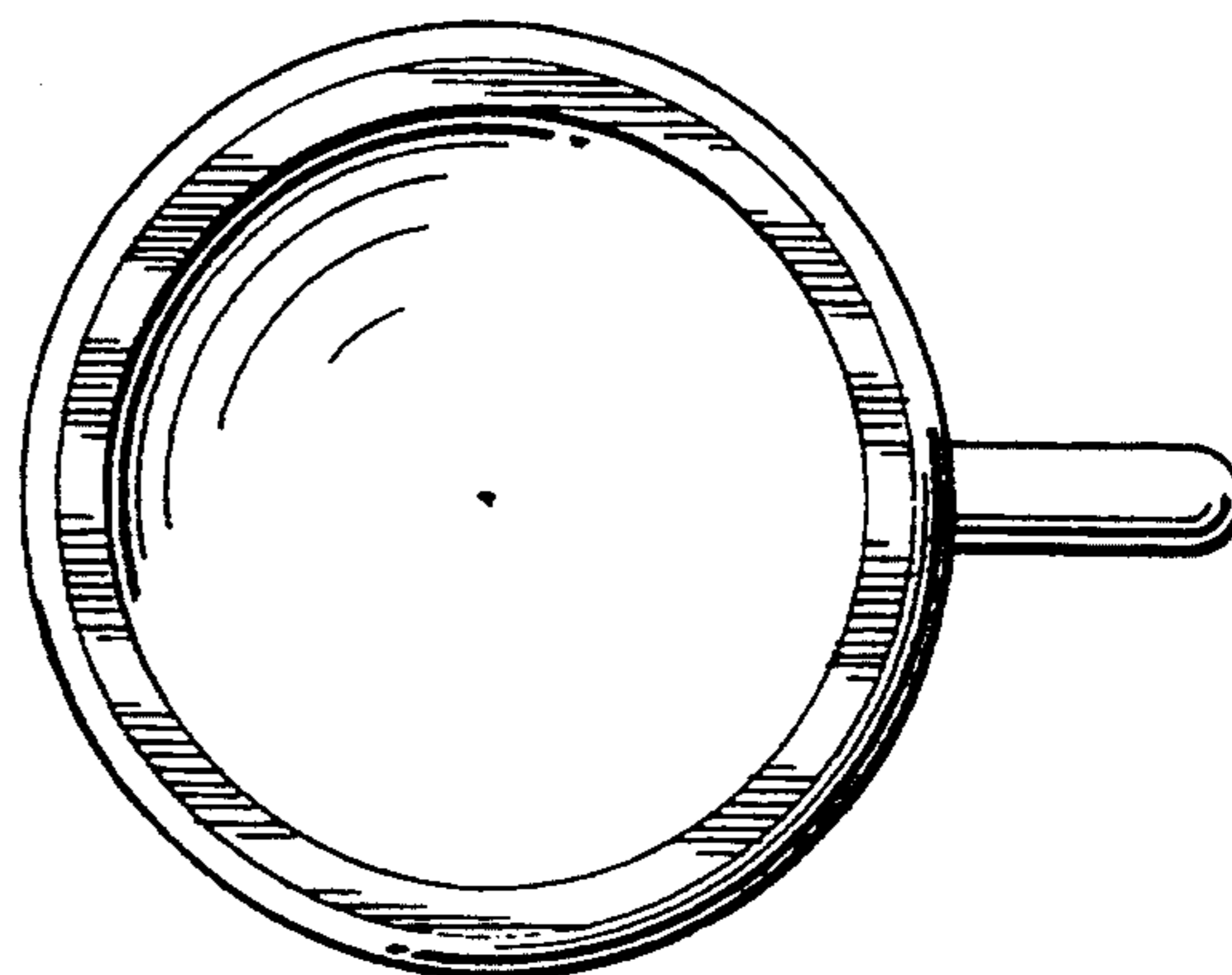


FIG. 14



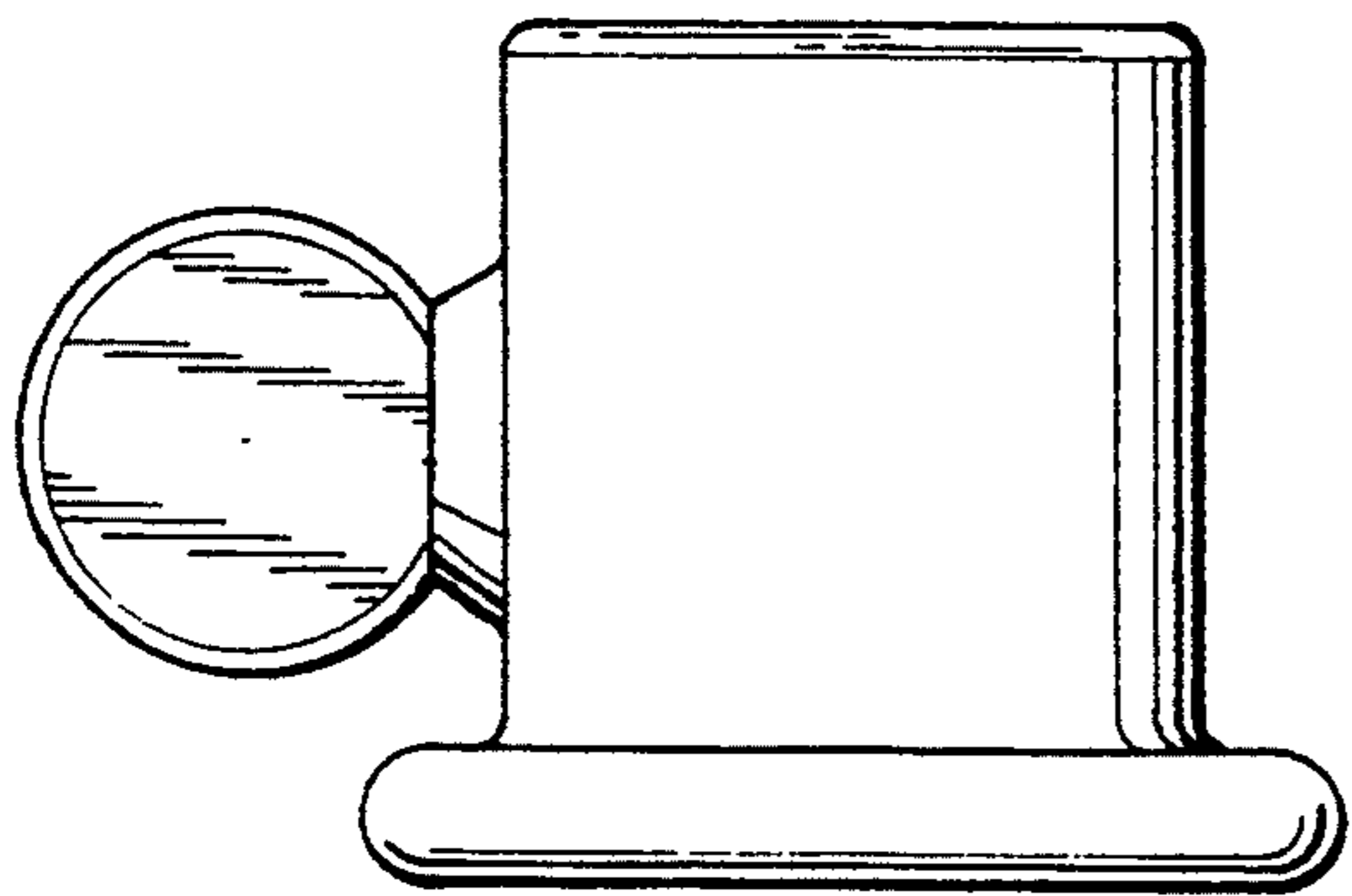


FIG. 9

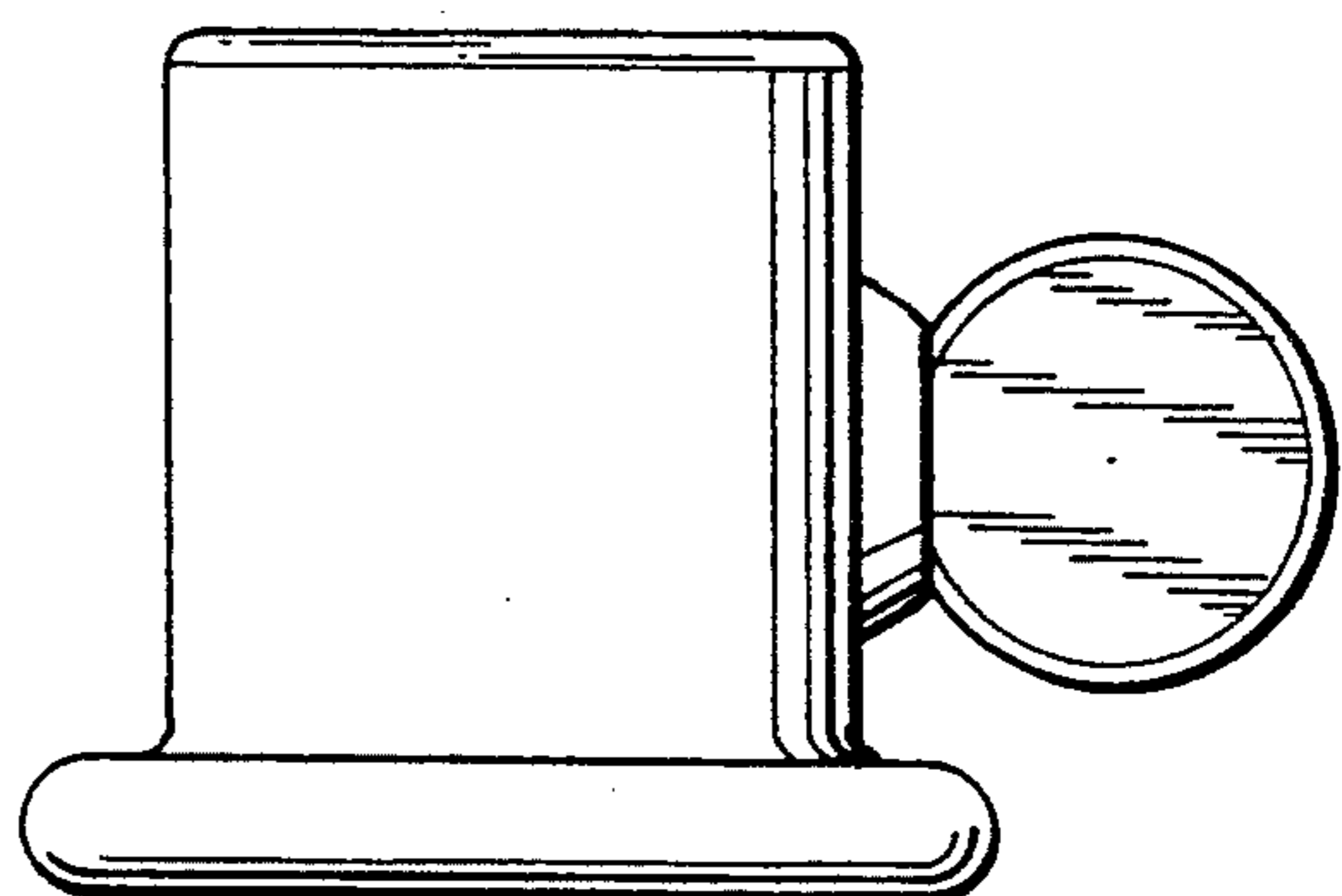


FIG. 10

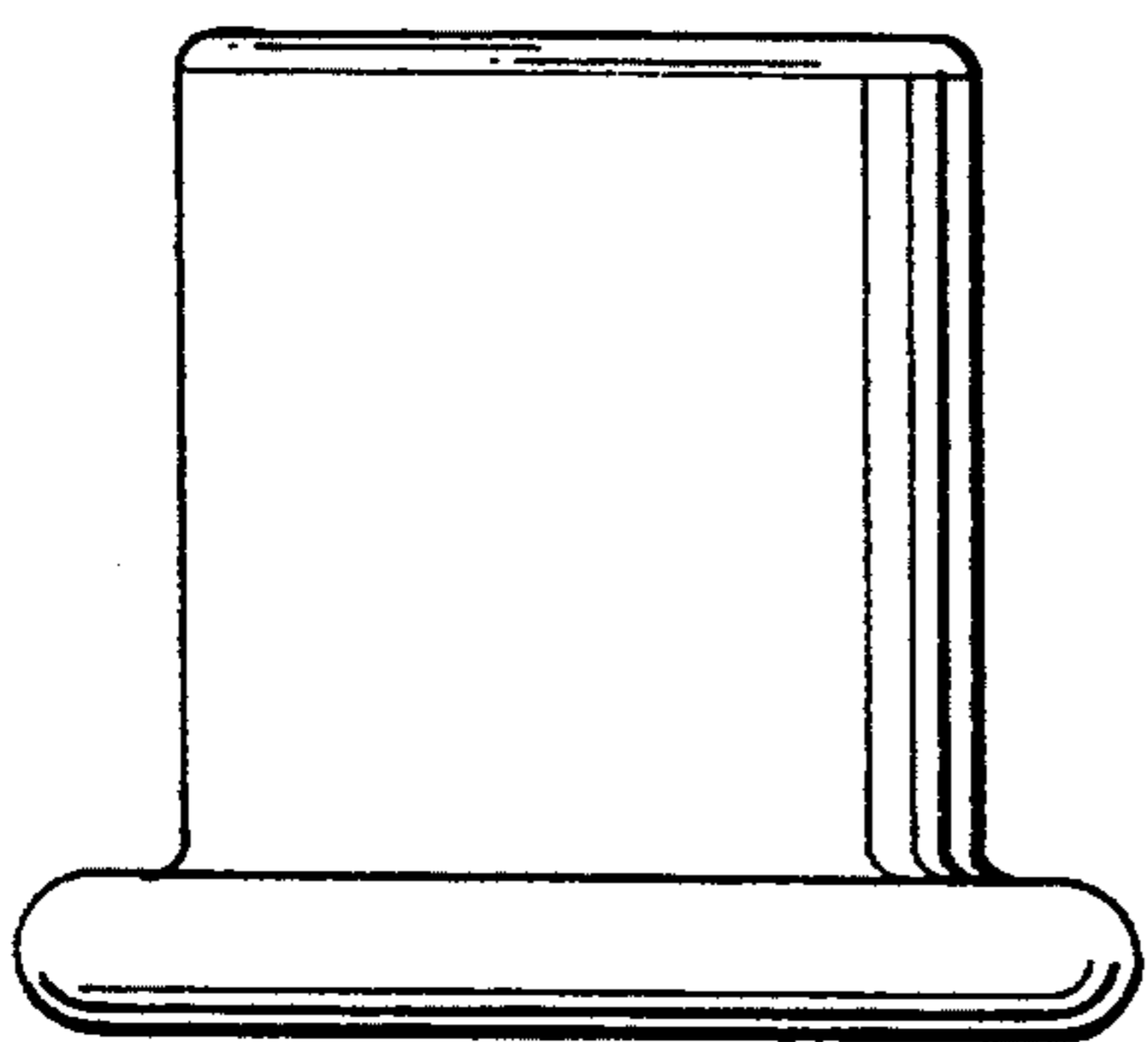


FIG. 11

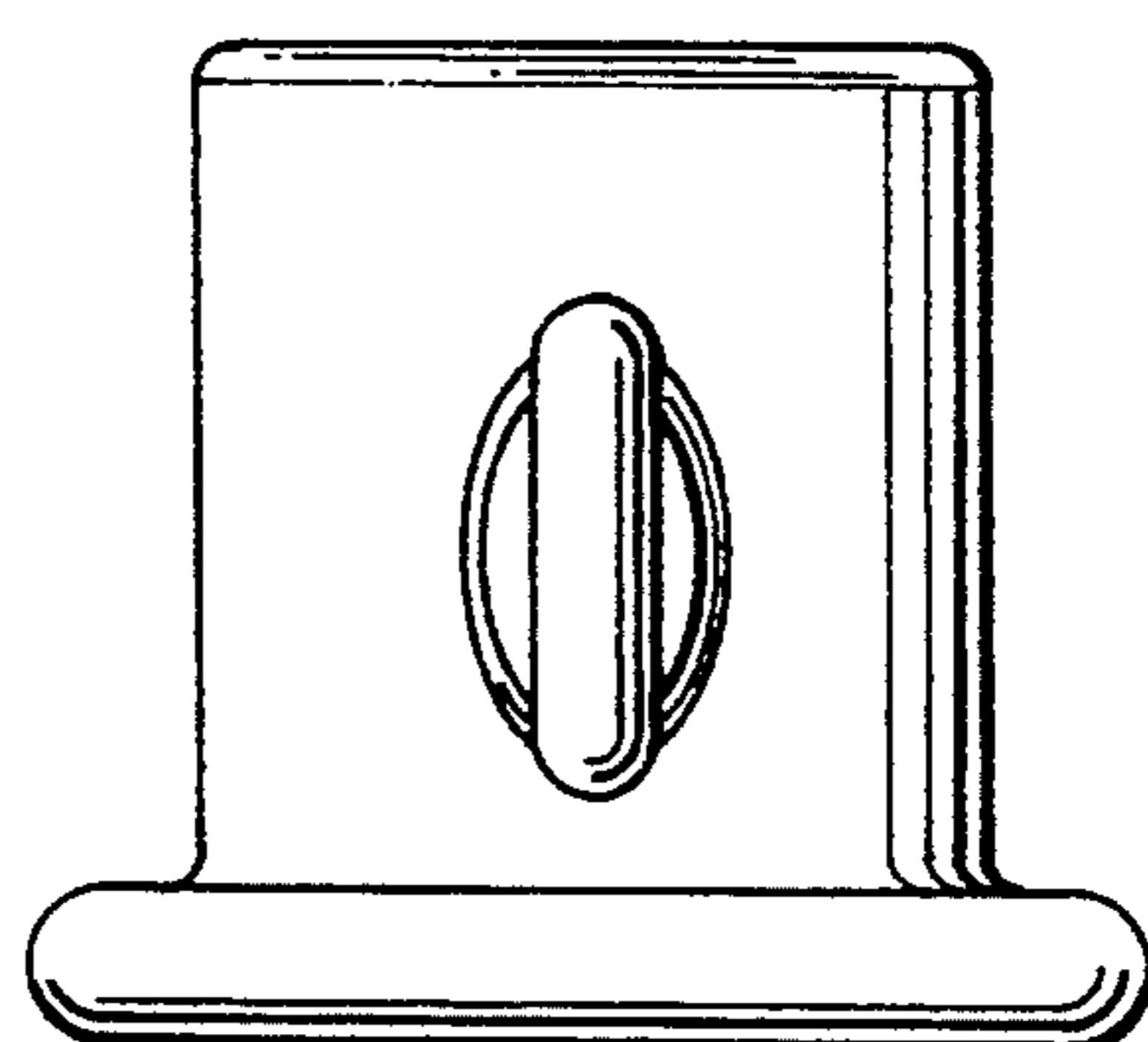


FIG. 12