



US00D357082S

United States Patent [19]

[11] Patent Number: **Des. 357,082**

Franson

[45] Date of Patent: **** Apr. 4, 1995**

[54] WINDOW COMPONENT EXTRUSION

[56] References Cited

[75] Inventor: **Jeffrey R. Franson, Kent, Wash.**

U.S. PATENT DOCUMENTS
D. 286,190 10/1986 Bancroft D25/125
4,982,530 1/1991 Palmer 49/504

[73] Assignee: **Mikron Industries, Kent, Wash.**

Primary Examiner—Doris Clark
Attorney, Agent, or Firm—Seed & Berry

[**] Term: **14 Years**

[57] **CLAIM**

The ornamental design for a window component extrusion, as shown and described.

[21] Appl. No.: **17,876**

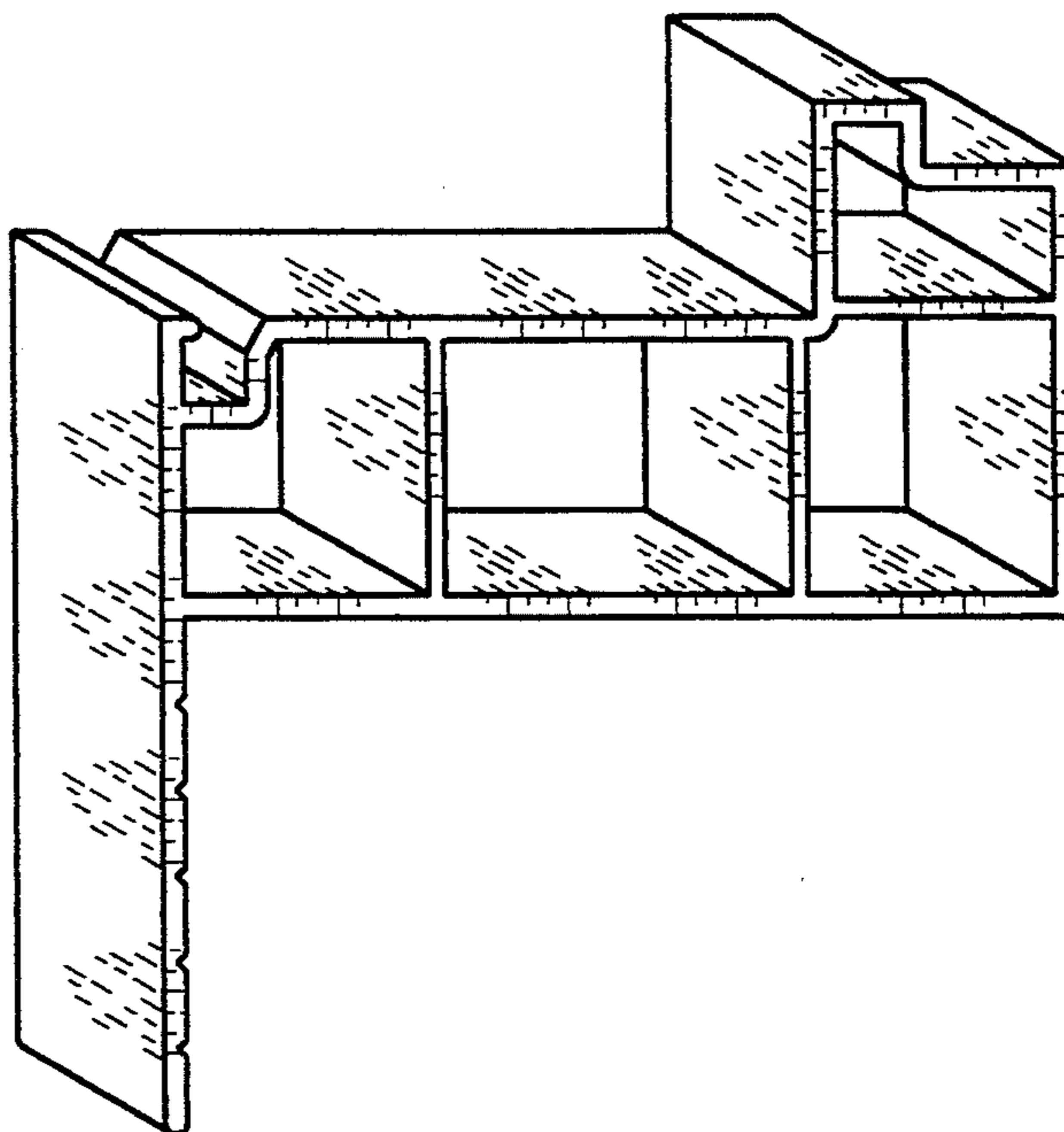
DESCRIPTION

[22] Filed: **Jan. 25, 1994**

[52] U.S. Cl. **D25/125**

[58] Field of Search D25/125, 124, 60;
49/DIG. 2, 504-505; 52/204.1, 204.5

FIG. 1 is a top right perspective view of a window component extrusion showing my new design, the window component extrusion being of indefinite length; and, FIG. 2 is a bottom left perspective view thereof.



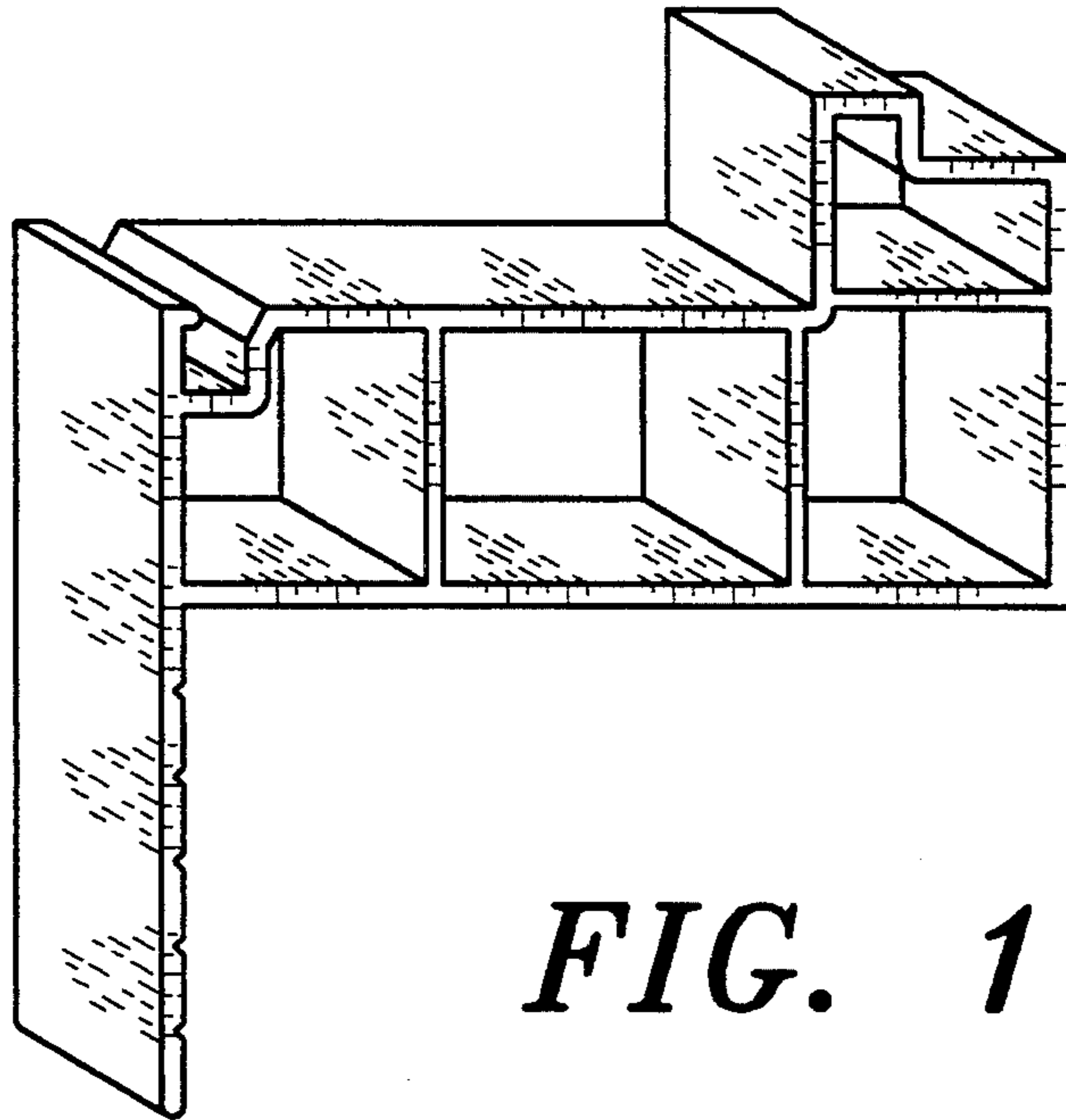


FIG. 1

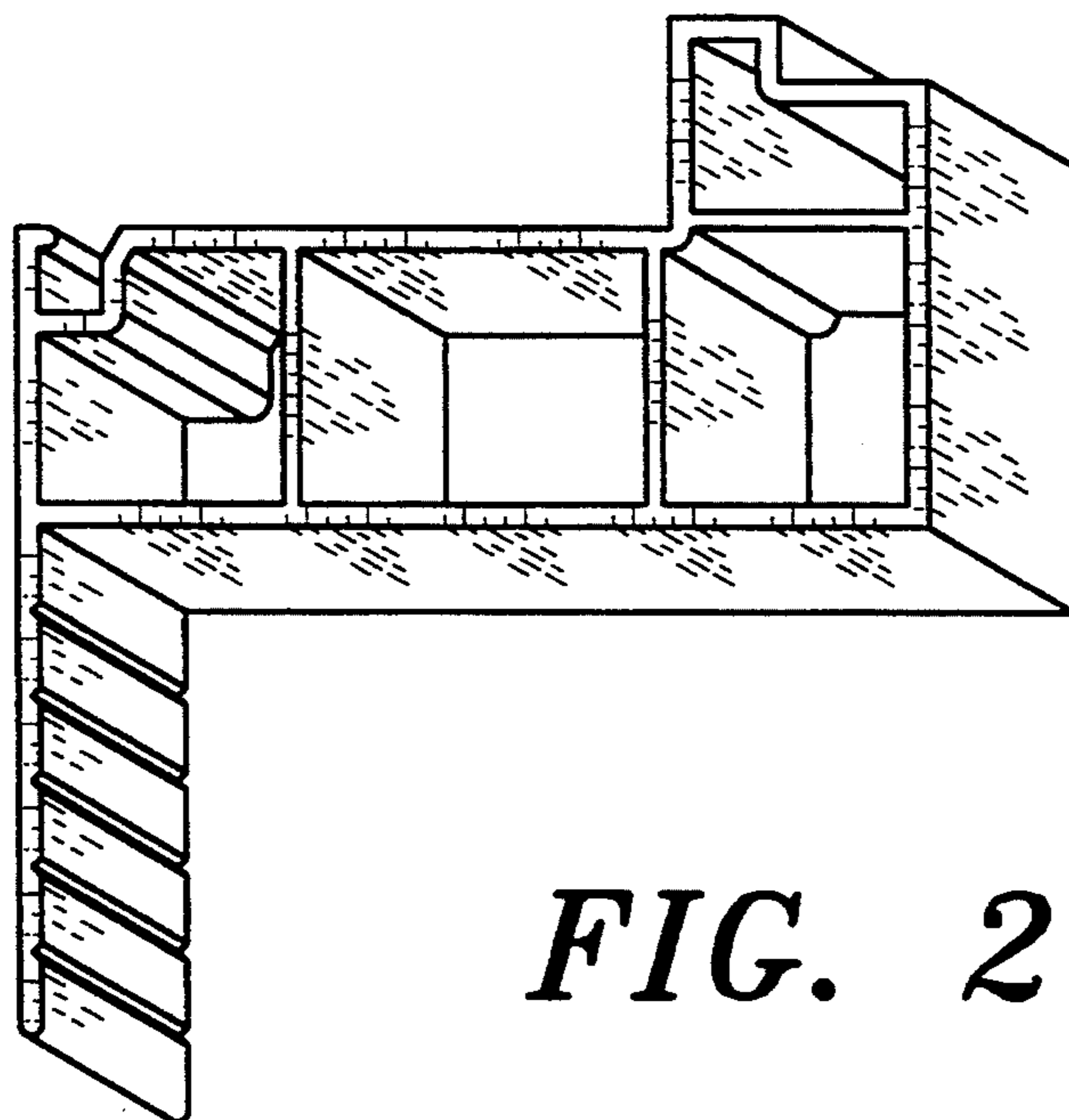


FIG. 2